

OWNER'S MANUAL



**RELAX
ECO RELAX
MULTI RELAX**



PROVIDING **GLOBAL SYSTEM** SOLUTIONS

ENGLISH

ESPAÑOL

FRANÇAIS

DEUTSCH

NEDERLANDS

PORTUGUÊS



ENGLISH

CONTENTS

SAFETY PRECAUTIONS	1
PARTS NAMES	4
MANUAL OPERATION.....	5
OPTIMAL OPERATION	5
ADJUSTING AIR FLOW DIRECTION	6
HOW THE AIR CONDITIONER WORKS.....	7
REMOTE CONTROLLER SPECIFICATIONS	8
INTRODUCTION OF FUNCTION BUTTONS ON THE REMOTE CONTROLLER....	8
NAMES AND FUNCTIONS OF INDICATORS ON REMOTE CONTROLLER	9
OPERATING THE REMOTE CONTROLLER	10
MAINTENANCE	12
OPERATION TIPS	14
TROUBLESHOOTING TIPS	16

Read This Manual

Inside you will find many helpful hints on how to use and maintain your air conditioner properly. Just a little preventative care on your part can save you a great deal of time and money over the life of your air conditioner. You'll find many answers to common problems in the chart of troubleshooting tips. If you review the chart of Troubleshooting Tips first, you may not need to call for service.

CAUTION

- Contact an authorised service technician for repair or maintenance of this unit. Contact the installer for installation of this unit.
- The air conditioner is not intended for use by young children or invalids without supervision.
- Young children should be supervised to ensure that they do not play with the air conditioner.
- If the power cord is to be replaced, replacement work shall be performed by authorised personnel only.
- Installation work must be performed in accordance with the national wiring standards by authorised personnel only.

Safety Precautions

To prevent injury to the user or other people and property damage, the following instructions must be followed.

Incorrect operation due to ignoring of instructions may cause harm or damage. The seriousness is classified by the following indications.

WARNING	This symbol indicates the possibility of death or serious injury.
CAUTION	This symbol indicates the possibility of injury or damage to property.

- Meanings of symbols used in this manual are as shown below.

	Never do this.
	Always do this.

WARNING

Connect with the power properly.

- Otherwise, it may cause electric shock or fire due to excess heat generation.

Do not modify power cord length or share the outlet with other appliances

- It may cause electric shock or fire due to heat generation.

Always ensure effective earthing.

- No earthing may cause electric shock.

Disconnect the power if strange sounds, smell, or smoke comes from it.

- It may cause fire and electric shock.

Keep firearms away.

- It may cause fire.

Ventilate room before operating air conditioner if there is a gas leakage from another appliance.

- It may cause explosion, fire and, burns.

Do not operate or stop the unit by inserting or pulling out the power plug.

- It may cause electric shock or fire due to heat generation.

Do not operate with wet hands or in damp environment.

- It may cause electric shock.

Do not allow water to run into electric parts.

- It may cause failure of machine or electric shock.

Do not use the socket if it is loose or damaged.

- It may cause fire and electric shock.

Do not use the power cord close to heating appliances.

- It may cause fire and electric shock.

Do not damage or use an unspecified power cord.

- It may cause electric shock or fire.

Do not direct airflow at room occupants only.

- This could damage your health.

Always install circuit breaker and a dedicated power circuit.

- No installation may cause fire and electric shock.

Do not open the unit during operation.

- It may cause electric shock.

Do not use the power cord near flammable gas or combustibles, such as gasoline, benzene, thinner, etc.

- It may cause an explosion or fire.

Do not disassemble or modify unit.

- It may cause failure and electric shock.

⚠ CAUTION

⊘ When the air filter is to be removed, do not touch the metal parts of the unit.

- It may cause an injury.

⊘ Do not clean the air conditioner with water.

- Water may enter the unit and degrade the insulation. It may cause an electric shock.

⊘ Ventilate the room well when used together with a stove, etc.

- An oxygen shortage may occur.

⊘ When the unit is to be cleaned, switch off, and turn off the circuit breaker.

- Do not clean unit when power is on as it may cause fire and electric shock, it may cause an injury.

⊘ Do not put a pet or house plant where it will be exposed to direct air flow.

- This could injure the pet or plant.

⊘ Do not use for special purposes.

- Do not use this air conditioner to preserve precision devices, food, pets, plants, and art objects.

It may cause deterioration of quality, etc.

⊘ Stop operation and close the window in storm or hurricane.

- Operation with windows opened may cause wetting of indoor and soaking of household furniture.

⊘ Hold the plug by the head of the power plug when taking it out.

- Failure to do so may cause electric shock and damage.

⊘ Turn off the main power switch when not using the unit for a long time.

- It may cause failure of product or fire.

⊘ Do not place obstacles around air-inlets or inside of air-outlet.

- It may cause failure of appliance or accident.

⊘ Ensure that the installation bracket of the outdoor appliance is not damaged due to prolonged exposure.

- If bracket is damaged, there is concern of damage due to falling of unit.

⊘ Always insert the filters securely. Clean filter once every two weeks.

- Operation without filters may cause failure.

⊘ Do not use strong detergent such as wax or thinner. Use a soft cloth for cleaning.

- Appearance may be deteriorated due to change of product color or scratching of its surface.

⊘ Do not place heavy object on the power cord and take care so that the cord is not compressed.

- There is danger of fire or electric shock.

⊘ Do not drink water drained from air conditioner.

- It contains contaminants and could make you sick.

⊘ Use caution when unpacking and installing. Sharp edges could cause injury.

⊘ If water enters the unit, turn the unit off at the power outlet and switch off the circuit breaker. Isolate supply by taking the power-plug out and contact a qualified service technician.



Prior to Operation

1. Contact an installation specialist for installation.
2. Make sure the unit is grounded efficiently.
3. Do not use a damaged or non-standard power cord.
4. Do not share the same outlet with other appliances.
5. Do not use an extension cord.
6. Do not start/stop operation by shutting off the power supply.

Usage

1. Exposure to direct airflow for an extended period of time could be hazardous to your health. Do not expose occupants, pets, or plants to direct airflow for extended periods of time.
2. Due to the possibility of oxygen deficiency, ventilate the room when used together with stoves or other heating devices.
3. Do not use this air conditioner for non-specified special purposes (e.g. Preserving precision devices, food, pets, plants, and art objects). Usage in such a manner could harm such property.

Cleaning and maintenance

1. Do not touch the metal parts of the unit when removing the filter. Injuries can occur when handling sharp metal edges.
2. Do not use water to clean inside the air conditioner. Exposure to water can destroy the insulation, leading to possible electric shock.
3. When cleaning the unit, first make sure that the power and circuit breaker are turned off.

Service

For repair and maintenance, contact your authorised service dealer.

Operating temperature

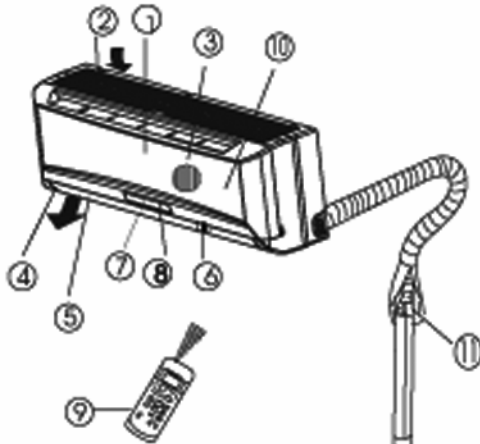
Mode \ Temperature	Cooling operation	Heating operation	Drying operation
Room temperature	17 °C ~ 32 °C	17 °C ~ 30 °C	17 °C ~ 32 °C
Outdoor temperature	18 °C ~ 43 °C	-7 °C ~ 24 °C	18 °C ~ 43 °C

CAUTION:

1. If air conditioner is used outside of the above conditions, certain safety protection features may come into operation and cause the unit to function abnormally.
2. Room relative humidity less than 80%. If the air conditioner operates in excess of this figure, the surface of the air conditioner may attract condensation. Please sets the vertical air flow louver to its maximum angle (vertically to the floor), and set HIGH fan mode.
3. Optimum performance will be achieved within these operating temperature.

PARTS NAMES

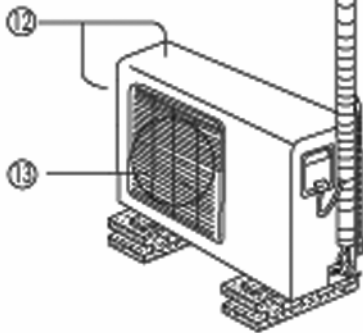
Indoor unit



Indoor unit

1. Front panel
2. Air inlet
3. Air filter
4. Air outlet
5. Horizontal air flow grille
6. Vertical air flow louver
7. Display panel
8. Remote controller signal receiver
9. Remote controller
10. Manual control button

Outdoor unit



Outdoor unit

11. Connecting pipe, drain hose
12. Air inlet (side and rear)
13. Air outlet

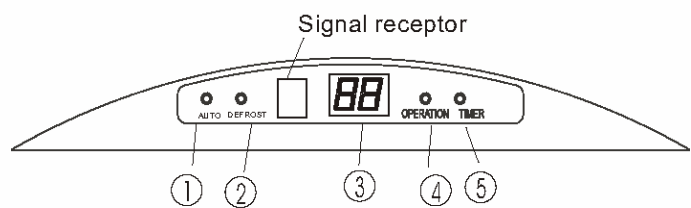
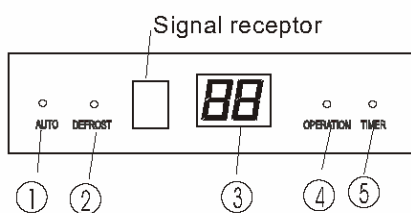
The operation indicator lights flash rapidly (five times per second.) when safety protection features come into operation.

Note:

All the pictures in this manual are for explanation purpose only. They may be slightly different from the air conditioner you purchased (depend on model). The actual shape shall prevail.

Function indicators on indoor unit display panel

The display panel of indoor unit will look like one of the following pictures:



1. **AUTO indicator**

This indicator illuminates when the air conditioner is in AUTO operation.

2. **DEFROST indicator (For Cooling & Heating models only)**

This indicator illuminates when the air conditioner starts defrosting automatically or when the warm air control feature is activated in heating operation.

3. **TEMPERATURE indicator**

Displays the temperature settings when the air conditioner is operational.

4. **OPERATION indicator**

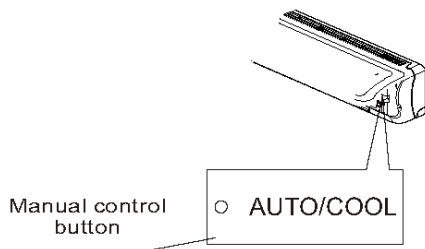
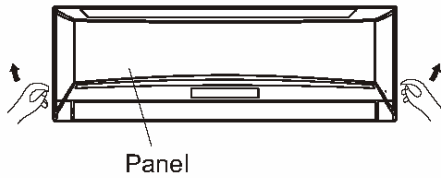
This indicator flashes after power is on and illuminates when the unit is in operation.

5. **TIMER indicator**

This indicator illuminates when TIMER is set ON/OFF.

MANUAL OPERATION

Manual operation can be used temporarily in case you can not find the remote controller or its batteries are exhausted.



1. Open and lift the front panel up to an angle until it remains fixed with a clicking sound.
2. One press of the manual control button will lead to the forced AUTO operation.
3. Close the panel firmly to its original position.

CAUTION:

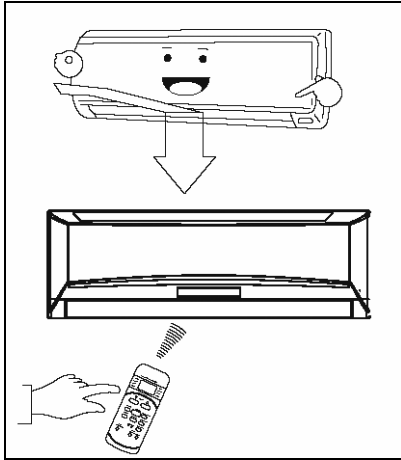
- Once you push the manual button, the operation mode is shifted in an order as: AUTO, COOL, OFF.
- Push the button twice, the unit will operate in forced COOL mode. This is used for testing purposes only.
- Third press will stop the operation and turn off the air conditioner operation.
- To restore the remote controller operation, use the remote controller directly.

OPTIMAL OPERATION

To achieve optimal performance, please note the following:

- Adjust the air flow direction correctly so that it is not directed on people.
- Adjust the temperature to achieve the highest comfort level. Do not adjust the unit to excessive temperature levels.
- Close doors and windows on COOL or HEAT modes, or performance may be reduced.
- Use TIMER ON button on the remote controller to select a time you want to start your air conditioner.
- Do not put any object near air inlet or air outlet, as the efficiency of the air conditioner may be reduced and the air conditioner may stop running.
- Clean the air filter periodically, otherwise cooling or heating performance may be reduced.
- Do not operate unit with horizontal louvre in closed position.

ADJUSTING AIR FLOW DIRECTION



- Adjust the air flow direction properly otherwise, it might cause discomfort or cause uneven room temperatures.
- Adjust the horizontal louver using the remote controller.
- Adjust the vertical louver manually.

Adjusting the Vertical Air Flow Direction (up - down)

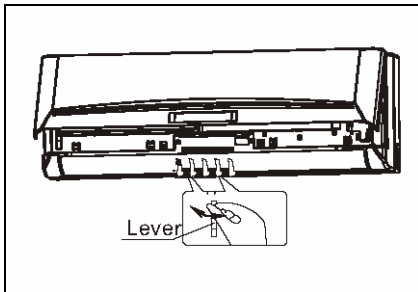
The air conditioner automatically adjusts the vertical air flow direction in accordance with the operating mode.

To set the vertical air flow direction

Perform this function while the unit is in operation.

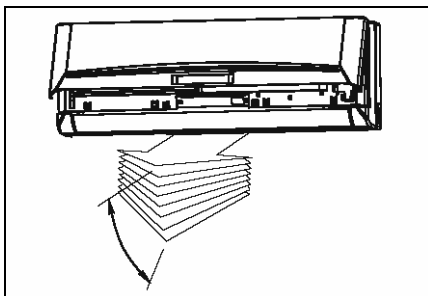
Keep pressing the AIR DIRECTION button on the remote controller to move the louver to the desired direction.

- Adjust the vertical air flow direction to the desired direction.
- In subsequent operations, the vertical air flow is automatically set in the direction to which you adjusted the louver by pressing the AIR DIRECTION button.



To set the horizontal air flow direction (left - right)

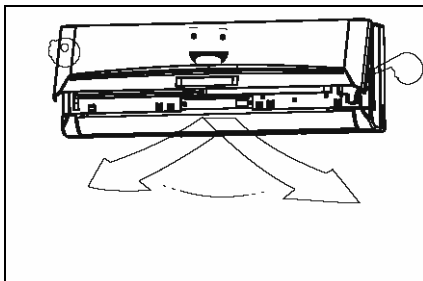
Adjust the vertical louver manually using the lever on the left or right side of the vertical louver arm (Depending on model). Take care not to catch fingers on the fan, horizontal louver or to damage vertical louvers. When the air conditioner is in operation and the horizontal louver is in a specific position, move the lever at left (or right, depending on model) end of the air outlet to the desired position.



To automatically swing the air flow direction (up - down)

Perform this function while the air conditioner is in operation.

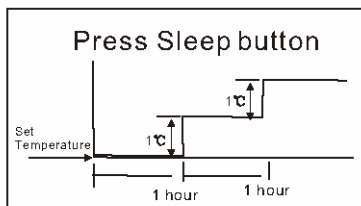
- Press the SWING button on the remote controller.
- To stop the function, press the SWING button again. Press AIR DIRECTION button to lock louver in desired position.



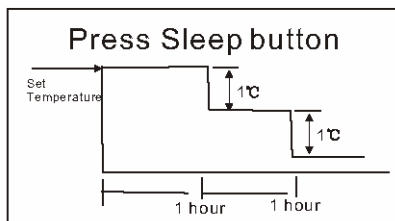
CAUTION

- The AIR DIRECTION and SWING buttons will be disabled when the air conditioner is not in operation (including when the TIMER ON is set).
- Do not operate the air conditioner for long periods with the air flow direction set downward in cooling or dry mode. Otherwise, condensation may occur on the surface of the horizontal louver causing moisture to drop on to the floor or on furnishings.
- Do not move the horizontal louver manually. Always use the AIR DIRECTION or SWING button. If you move this louver manually, it may malfunction during operation. If the louver malfunctions, stop the air conditioner once and restart it.
- When the air conditioner is started immediately after it was stopped, the horizontal louver might not move for approximately 10 seconds.
- Open angle of the horizontal louver should not be set too small, as COOLING or HEATING performance may be impaired due to too restricted air flow area.
- Do not operate unit with horizontal louver in closed position.
- When the air conditioner is connected to power (initial power), the horizontal louver may generate a sound for 10 seconds, this is a normal operation.

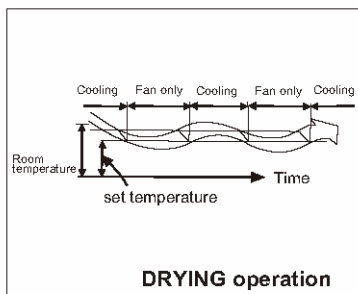
HOW THE AIR CONDITIONER WORKS



Cooling



Heating



AUTOMATIC OPERATION

- When you set the air conditioner in AUTO mode, it will automatically select cooling, heating (cooling/heating models only), or fan only operation depending on what temperature you have selected and the room temperature.
- The air conditioner will control room temperature automatically round the temperature point set by you.
- If the AUTO mode is uncomfortable, you can select desired conditions manually.

SLEEP OPERATION

When you push SLEEP button during cooling, heating (cooling only type without), or AUTO operation, the air conditioner will automatically increase (cooling) or decrease (heating) 1 per hour. The set temperature will be steady 2 hours later. The fan speed will be automatically controlled.

Note: The unit will be automatically turned off after 7 hours when on SLEEP operation.

DRYING OPERATION

- The dry mode will automatically select the drying operation based on the difference between the set temperature and the actual room temperature.
- The temperature is regulated while dehumidifying by repeating turning on and off of the cooling operation or fan only. The fan speed is LOW.

Remote Controller

Remote Controller Specifications

Model	R51D/E, R51D/CE
Rated Voltage	3.0V (Alkaline dry batteries LR03 X 2)
Lowest Voltage of CPU Emitting Signal	2.0V
Reaching Distance Signal Range	8 m (when using 3.0 voltage, it Gets 11 m)
Environment	-5 °C ~ 60 °C

Introduction of Function Buttons on the Remote Controller

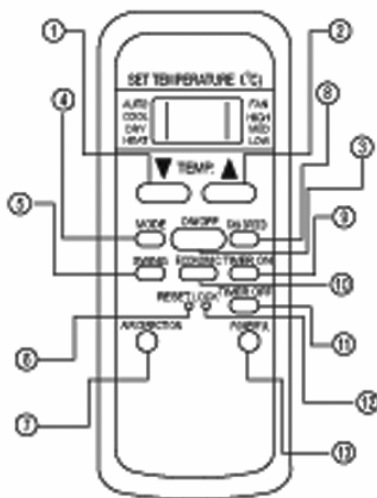
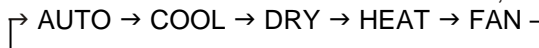


Figure 1

SET TEMPERATURE (°C)

AUTO
FAN
COOL
HIGH
DRY
MED
HEAT
LOW
TEMP.
MODE
ON/OFF
FAN SPEED
SWING
ECONOMIC
TIMER ON
RESET
LOCK
TIMER OFF
AIR DIRECTION
POWERFUL

- TEMP Button ▼:** Press the button to decrease the indoor temperature setting.
- TEMP Button ▲:** Press the button to increase the indoor temperature setting.
- ON/OFF Button:** Push this button to start the unit operation. Push the button again to stop the unit operation.
- MODE Select Button:** Each time you push the button, a mode is selected in a sequence that goes from AUTO COOL DRY HEAT and FAN, as the following figure indicates:



▲ NOTE: COOL only model has no HEAT feature.

- SWING Button:** Push this button, the louver would swing up and down automatically. Push again to stop it .
- RESET Button:** When the RESET button is pushed, all of the current settings are cancelled and the control will return to the initial settings. (Use a 1mm little round stick to push the button.)
- AIR DIRECTION Button:** Push this button, the louver can be fixed at a desired angle. The louver swing(upward or downward) to a certain angle for each press. When the louver swing at an angle which would affect the cooling and heating efficiency of the air conditioner, it would automatically change the swing direction (upward or downward).
- SPEED Button:** This button is used for setting Fan Speed in the sequence that goes from AUTO LOW MED to HIGH, then back to Auto.
- TIMER ON Button:** Press this button to preset the time ON (start to operate). Each press will increase the time ON setting in 30 minutes increments. When the setting time displays 10:00, each press will increase the time ON setting in 60 minutes increments. To cancel the time ON program, simply adjust the time ON to 0:00.

10. **ECONOMIC RUNNING Button:** Press this button to go into the Energy-Saving operation mode. Press the button again to cancel.
11. **TIMER OFF Button:** Press this button to preset the time OFF (turn off the operation). Each press will increase the time OFF setting in 30 minutes increments. When the setting time displays 10:00, each press will increase the time OFF setting in 60 minutes increments. To cancel the time OFF program, simply adjust the time OFF to 0:00
12. **LOCK Button:** Push this button to lock in all the current settings. To release settings, push again. (Use a 1mm little round stick to push this button.)
13. **POWERFUL Button:** Press this button on cooling/heating mode to go into powerful cooling (heating)operation.Press again to cancel it.

Note: The unit will automatically revert back to the previous operational mode after continuously operating under the powerful cooling mode.

Names and Functions of indicators on Remote Controller

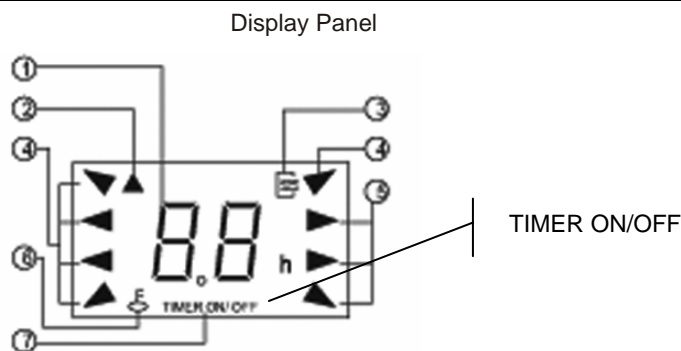


Fig. 2

1. **DIGITAL DISPLAY area:** This area will show the temperature and, if in the TIMER mode, will show the ON and OFF settings of the TIMER. It will automatically revert back to show the temperature after 5 seconds. Under "FAN" operation mode, nothing is shown in this area.
2. **TRANSMISSION Indicator:** This indicator flashes once when remote controller transmits signals to the indoor unit.
3. **ON/OFF Indicator:** This symbol appears when the unit is turned on by the remote controller, and disappears when the unit is turned off.
4. **OPERATION MODE Indicator:** Shows the current operation modes—"AUTO", "COOL", "DRY", "HEAT" and "FAN". HEAT only available for heat pump model.
5. **FAN SPEED Indicator:** Press the FAN SPEED button to select the desired fan speed setting (Auto-Low-Med-High). You selection will be displayed in the LCD window except the Auto fan speed.
6. **LOCK Indicator:** This symbol appears when press the LOCK button, and disappears when press it again.
7. **TIMER ON/OFF Display:** This display area shows the settings of TIMER. That is, if only the starting time of operation is set, it will display the TIMER ON. If only the turning off time of operation is set, it will display the TIMER OFF. If both operations are set, it will show TIMER ON/OFF which indicates you have chosen to set both the starting time and off time.

NOTE: All signs shown in the Fig.2 is for the purpose of clear presentation. But during the actual operation only the relative functional items are shown on the display panel.

Operating the Remote Controller



Install/Replace Batteries

The Remote Controller uses two alkaline dry batteries(LR03X2).

1. To install the batteries, slide the back cover of the battery compartment and install the batteries according the direction (+and -) shown on the Remote Controller.
2. To replace the old batteries, use the same method as mentioned above.



AUTOMATIC OPERATION

When the Air Conditioner is ready for use, switch on the power and the OPERATION indicator lamp on the display panel of the indoor unit starts flashing.

1. Use the MODE .select button to select AUTO.
2. Push the TEMP button to set the desired room temperature. The most comfortable temperature setting are between 21 °C to 28 °C.
3. Push the ON/OFF button to start the air conditioner. The OPE RATION lamp on the display panel of the indoor unit lights. The operating mode is AUTO FAN SPEED is automatically set and there are no indicators shown on the display panel of the remote controller.
4. Push the ON/OFF button again to stop the unit operation.

NOTE

1. *In the AUTO mode, the air conditioner can logically choose the mode of COOL, FAN , HEAT and DRY by sensing the difference between the actual ambient room temperature and the set temperature on the remote controller.*
2. *If the AUTO mode is not comfortable for you, the desired mode can be selected manually.*



COOL/ HEAT (Cooling only model without) and FAN ONLY Operation

1. If the AUTO mode is not comfortable, you may manually over ride the settings by using COOL, HEAT or FAN ONLY modes.
2. Push the TEMP button to set the desired room temperature. When in COOL mode, the most comfortable settings are 21 °C or above. When in HEAT mode, the most comfortable settings are 28 °C or below.
3. Push the FAN SPEED to select the FAN mode of AUTO, HIGH, MED or LOW.
4. Push the ON/OFF button, the operation lamp lights and the air conditioner start to operate as your settings. Push the ON/OFF button again to stop this unit operation.

NOTE

The FAN ONLY mode can not be used to control the temperature. While in this mode, only steps 1,3 and 4 may be performed.



DRY Operation

1. Push the MODE button to select DRY.
2. Push the TEMP button to set the desired temperature from 21 °C to 2 8 °C.
3. Push the ON/OFF button, the operation lamp lights and the air conditioner start to operate in the DRY mode. FAN SPEED is Low. Push the ON/OFF button again to stop this unit operation.

NOTE

Due to the difference of the set temperature of the unit and the actual indoor temperature, the Air Conditioner when in DRY mode will automatically operate many times without running the COOL and FAN mode.



TIMER Operation

TIMER ON button can set the auto-on time of the unit.. TIMER OFF button can set the auto-off time of the unit.

1. To set the starting time.

- 1.1 Push the TIMER ON button, then the remote controller shows TIMER ON , the last set time for the starting operation and the signal "h" will be shown on the DIGITAL DISPLAY area. You are now ready to reset the time to START the operation.
- 1.2 Push the TIMER ON button again to set desired unit start time.
- 1.3 After setting the TIMER ON ,there will be a one-half second delay before the remote controller transmits the signal to the air conditioner. Then, after approximately another 2 seconds, the signal "h" disappears and the set temperature will re-appear on the digital display.

2. To set the stopping time.

- 2.1 Push the TIMER OFF button and the remote controller will show TIMER OFF, the last set time for the stopping operation and the signal "h" will be shown on the DIGITAL DISPLAY area. You are now ready to reset the time of the STOP operation.
- 2.2 Push the TIMER OFF button again to set the time you want to stop the operation.
- 2.3 After setting the TIMER OFF ,there will be a one-half second delay before the remote controller transmits the signal to the air conditioner. Then, after approximately another 2 seconds, the signal "h" disappears and the set temperature will re-appear on the digital display.

3. Set the starting & stopping time

- 3.1 Push the TIMER ON button, the remote controller will show TIMER ON, the last set time for START operation and the signal "h" will be shown on the DIGITAL display area. You are now ready to readjust the TIMER ON to start the operation.
- 3.2 Push the TIMER ON button again to set the time you want to start the operation.
- 3.3 Push the TIMER OFF button, the remote controller will show TIMER OFF, the last set time for STOP operation and the signal "h" will be shown on the DIGITAL display area. You are now ready to reset the time to STOP operation.
- 3.4 Push the TIMER OFF button again to set the time you want to stop the operation.
- 3.5 After setting the TIMER, there will be a one-half second delay before the remote controller transmits the signal to the Air Conditioner. Then , after approximately another 2 seconds, the set temperature will re-appear on the digital display.

Change the TIMER

To change the TIMER ON/OFF time, just press the corresponding TIMER button and reset the time.

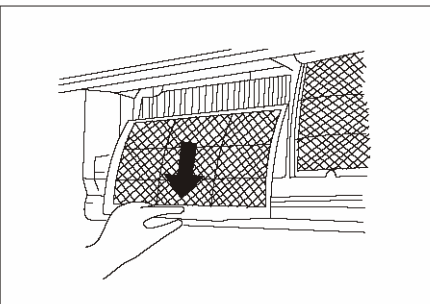
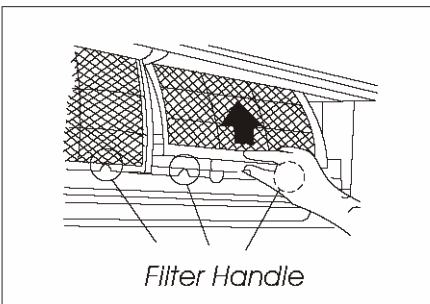
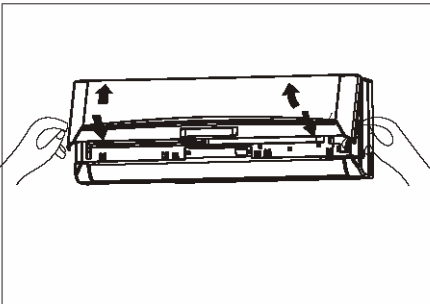
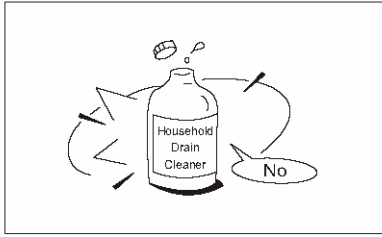
NOTE

The setting time is relative time. That is the time set is based on the delay of the current time.

Warning

1. Be sure there are no obstacles between the remote controller and the receiver of indoor unit otherwise the air conditioner will not work.
2. Keep the Remote Controller away from any liquids.
3. Protect the remote controller from the high temperatures and exposure to radiation.
4. Keep the indoor receiver out of direct sunlight or the Air Conditioner may malfunction.
5. Keep Remote Controller away from EMI(Electro-Magnetic Interference) supplied by other household appliances.
6. When replacing batteries, do not use old batteries or a different type battery. This may cause the remote control to malfunction.
7. If you do not use the remote controller for several weeks remove the batteries. Otherwise battery leakage may damage the remote controller.
8. The average battery life under normal use is about 6 months.
9. Replace the batteries when there is no answering beep from the indoor unit or if the Transmission Indicator light fails to light.

MAINTENANCE



⚠ WARNING

It is necessary to stop the air conditioner and disconnect the power supply before cleaning.

Cleaning the indoor unit and remote controller

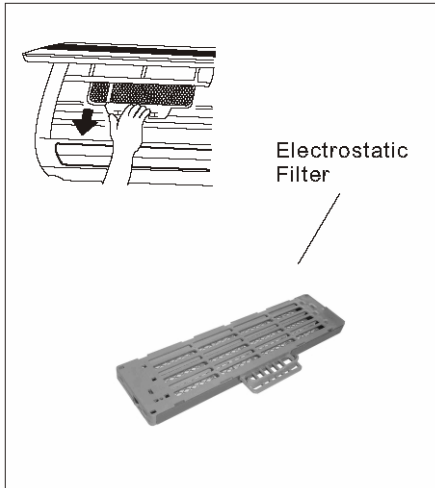
⚠ CAUTIONS

- Use a dry cloth to wipe the indoor unit and remote controller.
- A cloth dampened with cold water may be used on the indoor unit if it is very dirty.
- The front panel of the indoor unit can be removed and cleaned with water. Then wipe it with a dry cloth.
- Do not use a chemically treated cloth or duster to clean the unit.
- Do not use benzine, thinner, polishing powder, or similar solvents for cleaning. These may cause the plastic surface to crack or deform.

Cleaning the air filter

A clogged air filter reduces the cooling efficiency of this unit. Please clean the filter once every 2 weeks.

1. Lift the indoor unit panel up to an angle until it stops with a clicking sound.
2. Take hold of the handle of the air filter and lift it up slightly to take it out from the filter holder, then pull it downwards.
3. Remove the AIR FILTER from the indoor unit.
 - Clean the AIR FILTER once two weeks.
 - Clean the AIR FILTER with a vacuum cleaner or water, then dry it up in cool place.



4. Remove the Electrostatic Filter from its support frame as shown in the Figure on the left (Not applicable to the units without electrostatic filter).

⚠ Do not touch this Electrostatic Filter within 10 minutes after opening the inlet grille, it may cause an electric shock.

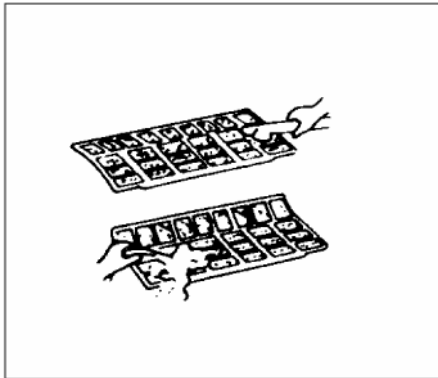
- Clean the Electrostatic Filter with mild detergent or water and dry in the sunlight for two hours.
- Before re-install the Electrostatic Filter, check whether the corona line or support frame is damaged or not.

5. Install the air freshening filter back into position.
6. Insert the upper portion of air filter back into the unit taking care that the left and right edges line up correctly and place filter into position.

Maintenance

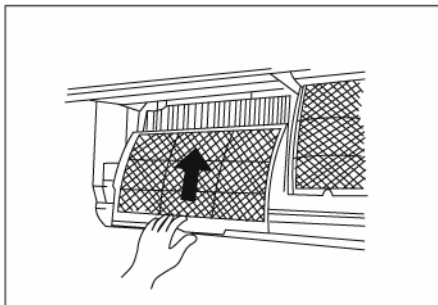
If you plan to idle the unit for a long time, perform the following:

- (1) Operate the fan for about half a day to dry the inside of the unit.
- (2) Stop the air conditioner and disconnect power. Remove the batteries from the remote controller.
- (3) The outdoor unit requires periodic maintenance and cleaning. Do not attempt to do this yourself. Contact your dealer or servicer.



Checks before operation

- Check that the wiring is not broken off or disconnected.
- Check that the air filter is installed.
- Check if the air outlet or inlet is blocked after the air conditioner has not been used for a long time.



⚠ CAUTIONS

- Do not touch the metal parts of the unit when removing the filter. Injuries can occur when handling sharp metal edges.
- Do not use water to clean inside the air conditioner. Exposure to water can destroy the insulation, leading to possible electric shock.
- When cleaning the unit, first make sure that the power and circuit breaker are turned off.

OPERATION TIPS

The following events may occur during normal operation.

1. Protection of the air conditioner.

Compressor protection

- The compressor can't restart for 3 minutes after it stops.

Anti-cold air (Cooling and heating models only)

- The unit is designed not to blow cold air on HEAT mode, when the indoor heat exchanger is in one of the following three situations and the set temperature has not been reached.

A) When heating has just starting.

B) Defrosting.

C) Low temperature heating.

- The indoor or outdoor fan stop running when defrosting (Cooling and heating models only). Defrosting (Cooling and heating models only)
- Frost may be generated on the outdoor unit during heat cycle when outdoor temperature is low and humidity is high resulting in lower heating efficiency of the air conditioner.
- During this condition air conditioner will stop heating operation and start defrosting automatically.
- The time to defrost may vary from 4 to 10 minutes according to the outdoor temperature and the amount of frost buildup on the outdoor unit.

2. A white mist coming out from the indoor unit

- A white mist may generate due to a large temperature difference between air inlet and air outlet on COOL mode in an indoor environment that has a high relative humidity.
- A white mist may generate due to moisture generated from defrosting process when the air conditioner restarts in HEAT mode operation after defrosting.

3. Low noise of the air conditioner

- You may hear a low hissing sound when the compressor is running or has just stopped running. This sound is the sound of the refrigerant flowing or coming to a stop.
- You can also hear a low "squeak" sound when the compressor is running or has just stopped running. This is caused by heat expansion and cold contraction of the plastic parts in the unit when the temperature is changing.
- A noise may be heard due to louver restoring to its original position when power is first turned on.

4. Dust is blown out from the indoor unit.

This is a normal condition when the air conditioner has not been used for a long time or during first use of the unit.

5. A peculiar smell comes out from the indoor unit.

This is caused by the indoor unit giving off smells permeated from building material, from furniture, or smoke.

6. The air conditioner turns to FAN only mode from COOL or HEAT (For cooling and heating models only) mode.

When indoor temperature reaches the temperature setting on air conditioner, the compressor will stop automatically, and the air conditioner turns to FAN only mode. The



compressor will start again when the indoor temperature rises on COOL mode or falls on HEAT mode (For cooling and heating models only) to the set point.

7. Dripping water may generate on the surface of the indoor unit when cooling in a high relative humidity (relative humidity higher than 80%). Adjust the horizontal louver to the maximum air outlet position and select HIGH fan speed.

8. Heating mode (For cooling and heating models only)

The air conditioner draws in heat from the outdoor unit and releases it via the indoor unit during heating operation. When the outdoor temperature falls, heat drawn in by the air conditioner decreases accordingly. At the same time, heat loading of the air conditioner increases due to larger difference between indoor and outdoor temperature. If a comfortable temperature can't be achieved by the air conditioner, we suggest you use a supplementary heating device.

9. Auto-restart function

Power failure during operation will stop the unit completely.

For the unit without Auto-restart feature, when the power restores, the OPERATION indicator on the indoor unit starts flashing. To restart the operation, push the ON/OFF button on the remote controller. For the unit with Auto-restart feature, when the power restores, the unit restarts automatically with all the previous settings preserved by the memory function.

10. Lightning or a car wireless telephone operating nearby may cause the unit to malfunction. Disconnect the unit with power and then re-connect the unit with power again. Push the ON/OFF button on the remote controller to restart operation.

Troubleshooting tips

Malfunctions and Solutions

Stop the air conditioner immediately if one of the following faults occur. Disconnect the power and contact the nearest customer service center.

Trouble	OPERATION indicator or other indicators flash rapidly(5 times every second) and this flash cannot be fixed by disconnecting the power, and then connect it again
	Fuse blows frequently or circuit breaker trips frequently
	Other objects or water penetrate the air conditioner
	The remote controller won't work or works abnormally
	Other abnormal situations

Malfunctions	Cause	What should be done?
Unit does not start	Power cut	Wait for power to be restored
	Unit may have become unplugged.	Check that plug is securely in wall receptacle
	Fuse may have blown.	Replace the fuse
	Battery in Remote controller may have been exhausted.	Replace the battery
	The time you have set with timer is incorrect.	Wait or cancel timer setting
Unit not cooling or heating (Cooling/ heating models only) room very well while air flowing out from the air conditioner	Inappropriate temperature setting	Set temperature correctly
	Air filter is blocked	Clean the air filter
	Doors or Windows are open	Close the doors or windows
	Air inlet or outlet of indoor or outdoor unit has been blocked	Clear obstructions away first, then restart the unit
	Compressor 3 minutes protection has been activated	Wait

If the trouble has not been corrected, please contact a local dealer or the nearest customer service center. Be sure to inform them of the detailed malfunctions and unit model.

**Notes: Do not attempt to repair the unit yourself.
Always consult an authorised service provider.**



ESPAÑOL

ÍNDICE

PRECAUCIONES DE SEGURIDAD	1
COMPONENTES	4
FUNCIONAMIENTO MANUAL	5
COMPONENTES PARA UN FUNCIONAMIENTO ÓPTIMO	5
ORIENTACIÓN DE LA SALIDA DEL AIRE	6
FUNCIONAMIENTO DE LA UNIDAD	7
ESPECIFICACIONES DEL MANDO A DISTANCIA.....	8
INTRODUCCIÓN A LOS BOTONES DE FUNCIÓN DEL MANDO A DISTANCIA ...	8
FUNCIONES DE LOS INDICADORES DEL MANDO A DISTANCIA	9
MANEJO DEL MANDO A DISTANCIA.....	10
MANTENIMIENTO	12
CONSEJOS DE USO	14
CONSEJOS PARA LA SOLUCIÓN DE AVERÍAS	16

Lea detenidamente este manual

En su interior encontrará muchos consejos útiles para usar y mantener en buen estado el acondicionador de aire. Un pequeño mantenimiento preventivo le ahorrará mucho tiempo y dinero durante la vida del aparato. Encontrará muchas respuestas a problemas corrientes en los consejos de la tabla de investigación de averías. Estudie esta tabla antes de llamar al servicio técnico, pues quizá pueda ahorrarse la llamada.

IMPORTANTE

- Confíe las operaciones de reparación y mantenimiento de esta máquina a un técnico autorizado. La instalación debe hacerla un instalador profesional.
- El acondicionador de aire no debe ser utilizado sin supervisión por niños pequeños o por inválidos.
- Vigile a los niños para asegurarse de que no juegan con él.
- Si hay que cambiar el cable de conexión a la red, encargue el trabajo a un profesional homologado.
- La instalación debe ajustarse a los reglamentos eléctricos nacionales y sólo debe realizarla personal homologado.

Precauciones de seguridad

Para evitar lesiones al usuario o a otras personas y daños materiales, siga estas instrucciones.

No tener en cuenta estas instrucciones puede ser causa de mal funcionamiento y de lesiones o daños. Los siguientes símbolos indican su grado de importancia.

ADVERTENCIA	Este símbolo indica riesgo de muerte o de lesiones graves.
IMPORTANTE	Este símbolo indica riesgo de lesiones o de daños materiales.

- A continuación se muestra el significado de los símbolos utilizados en este manual.

	No haga nunca esto.
	Haga siempre esto.

ADVERTENCIA

Conecte a la alimentación eléctrica adecuadamente

- En otro caso se pueden producir descargas eléctricas o fuegos debido a la excesiva producción de calor.

No modifique la longitud del cable de conexión ni comparta la toma de corriente con otros electrodomésticos.

- Se pueden producir descargas eléctricas o fuegos debido a la producción de calor.

Asegúrese siempre de disponer una buena toma de tierra.

- La ausencia de toma de tierra puede producir descargas eléctricas.

Desconecte la alimentación si se producen ruidos extraños, olores o se desprenden humos.

- Puede producir fuego y descargas eléctricas.

Mantenga alejadas las armas de fuego.

- Pueden producirse incendios.

Ventile la sala antes de poner en marcha el acondicionador si hay fugas de gas de otro electrodoméstico.

- Hay riesgo de explosión, incendio y quemaduras.

No haga funcionar o parar la unidad tirando o colocando el enchufe eléctrico.

- Se pueden producir descargas eléctricas o fuegos debido a la producción de calor.

No lo maneje con las manos mojadas o en un lugar encharcado.

- Puede producir descargas eléctricas.

No deje que caiga agua en los componentes eléctricos.

- Puede producir el fallo de la máquina o descargas eléctricas.

No lo utilice si el enchufe está flojo o dañado.

- Puede producir fuego y descargas eléctricas.

No utilice el cable de conexión cerca de electrodomésticos de calefacción.

- Puede producir fuego y descargas eléctricas.

No produzca daños en el cable de conexión ni utilice uno no especificado.

- Se pueden producir descargas eléctricas o fuego.

No dirija el chorro de aire exclusivamente a los ocupantes.

- Puede dañar su salud.

Coloque siempre disyuntores y un circuito dedicado de alimentación.

- La falta de instalación puede producir fuego y descargas eléctricas.

No abra la unidad mientras esté funcionando.

- Puede producir descargas eléctricas.

No utilice el cable de conexión cerca de combustibles o gases inflamables, como por ejemplo, con gasolina, benceno, disolvente, etc.

- Se pueden producir descargas eléctricas o fuego.

Ventile la sala

- Hay riesgo de averías y descargas eléctricas.

 **IMPORTANTE**

⊗ **Cuando tenga que desmontar el filtro de aire, no toque las partes metálicas de la unidad.**

- Puede ser causa de lesiones.

⊗ **No limpie el acondicionador con agua.**

- Puede entrar agua en la unidad y estropear el aislamiento. Hay riesgo de descarga eléctrica.

⊗ **Ventile bien la sala cuando lo utilice junto a una estufa, etc.**

- Se puede producir escasez de oxígeno.

⊗ **Para limpiar la unidad, apáguela y corte el disyuntor.**

- No limpie la unidad mientras está conectada, ya que hay riesgo de incendio, descargas eléctricas y lesiones.

⊗ **No exponga animales ni plantas al chorro directo del aire.**

- Sería perjudicial para los animales o las plantas.

⊗ **No lo utilice para aplicaciones especiales.**

- No utilice el acondicionador para conservar dispositivos de precisión, alimentos, animales, plantas u objetos artísticos. Podrían deteriorarse.

⊗ **Interrumpa el funcionamiento y cierre la ventana en caso de tormenta o huracán.**

- El funcionamiento con las ventanas abiertas puede hacer que se mojen el interior y los muebles.

⊗ **Cuando extraiga el enchufe, sujételo por el cabezal.**

- De otro modo se pueden producir descargas y daños.

⊗ **Apague el interruptor de la red si no va a utilizar la unidad durante bastante tiempo.**

- Hay riesgo de avería del aparato y de incendio.

⊗ **No coloque obstáculos alrededor de las entradas de aire o dentro de una salida de aire.**

- Se puede producir una avería del aparato o un accidente.

⊗ **Asegúrese de que el soporte de instalación de la unidad exterior no está dañado por haber estado a la intemperie largo tiempo.**

- Si el soporte está dañado, hay peligro de que se produzcan daños a causa de la caída de la unidad.

⊗ **Inserte siempre firmemente los filtros. Limpie el filtro cada dos semanas.**

- El funcionamiento sin filtros puede producir averías.

⊗ **No utilice detergentes fuertes, como ceras o disolventes. Utilice un paño suave para la limpieza.**

- Se puede estropear el aspecto debido a la decoloración y rayado de la superficie.

⊗ **No coloque objetos pesados sobre el cable de conexión y tenga cuidado para no aplastarlo.**

- Hay peligro de fuego o de descarga eléctrica.

⊗ **No beba el agua que sale del acondicionador.**

- Contiene contaminantes y podría marearse.

⊗ **Tenga cuidado cuando lo desembale y lo instale. Los bordes afilados pueden producir lesiones.**

⊗ **Si entra agua en la unidad, apáguela en la toma de corriente y desconecte el disyuntor. Aísle la alimentación desconectando el enchufe y llame a un técnico cualificado.**

Antes de usar el aparato

1. Llame a un profesional para que instale el equipo.
2. Asegúrese de que la unidad está correctamente conectada a tierra.
3. No utilice un cable de conexión a la red dañado o no normalizado.
4. No comparta la misma toma de corriente con otros electrodomésticos.
5. No utilice prolongadores.
6. No ponga en marcha ni pare el equipo enchufándolo o desenchufándolo.

Utilización

1. La exposición prolongada al chorro de aire directo puede ser nociva para la salud. No coloque personas, animales o plantas bajo el chorro directo del aire durante mucho tiempo.
2. Ante el riesgo de falta de oxígeno, ventile la sala si usa al mismo tiempo estufas u otros dispositivos de calefacción.
3. No utilice este acondicionador de aire para usos especiales no indicados (por ejemplo, para la conservación de equipos de precisión, alimentos, animales, plantas u objetos de arte). Podría dañar las cosas que quiere proteger.

Limpieza y mantenimiento

1. No toque las partes metálicas de la unidad cuando retire el filtro. Los bordes metálicos afilados pueden causar lesiones.
2. No limpie con agua el interior del acondicionador. La exposición al agua puede destruir el aislamiento y provocar descargas eléctricas.
3. Antes de limpiar la unidad, abra el seccionador y el disyuntor eléctricos.

Servicio

Encargue las operaciones de reparación y mantenimiento a un concesionario autorizado.

Temperatura de funcionamiento

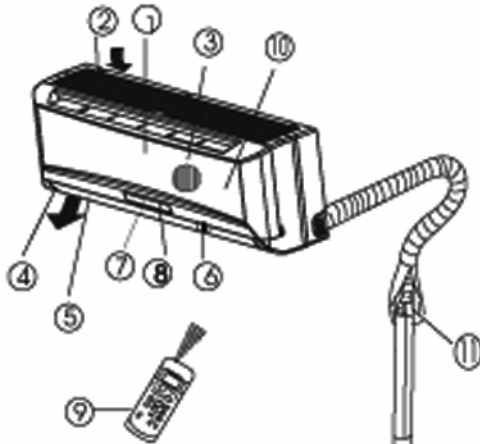
Modo	Refrigeración	Calefacción	Secado
Temperatura ambiente	17 °C ~ 32 °C	17 °C ~ 30 °C	17 °C ~ 32 °C
Temperatura exterior	18 °C ~ 43 °C	-7 °C ~ 24 °C	18 °C ~ 43 °C

IMPORTANTE:

1. Fuera de los intervalos de la tabla anterior pueden activarse determinadas funciones de protección que harán que el equipo no se comporte normalmente.
2. La humedad relativa debe ser inferior al 80 %. Por encima de este valor puede formarse condensación en la superficie del aparato. Oriente el deflector directamente hacia el suelo y ajuste el ventilador a la velocidad máxima (HIGH).
3. El rendimiento óptimo se obtiene dentro de las temperaturas de funcionamiento indicadas.

COMPONENTES

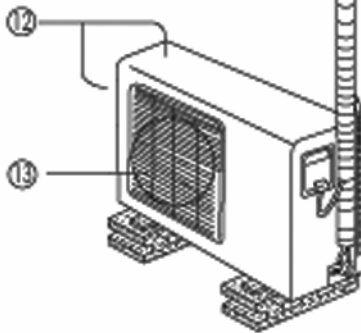
Unidad interior



Unidad interior

1. Panel delantero
2. Entrada de aire
3. Filtro de aire
4. Salida de aire
5. Rejilla de impulsión de aire horizontal
6. Deflector de aire vertical
7. Panel indicador
8. Receptor de la señal del mando a distancia
9. Mando a distancia
10. Botón de control manual

Unidad exterior



Unidad exterior

11. Tubos de conexión y desagüe
12. Entrada de aire (lateral y trasera)
13. Salida de aire

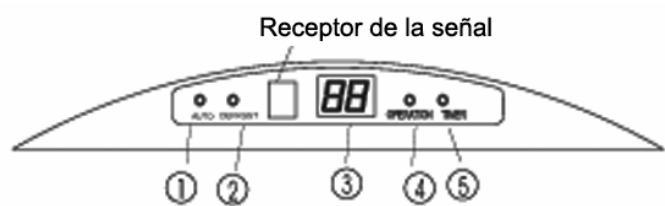
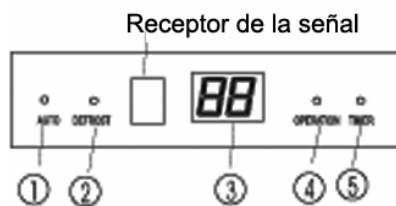
El piloto indicador de funcionamiento parpadea rápidamente (cinco veces por segundo) cuando se activan las funciones de protección de seguridad.

Nota:

Las figuras de este manual tienen todas una finalidad únicamente explicativa. Pueden diferir ligeramente del acondicionador que haya adquirido (depende del modelo). La forma real es la que prevalece.

Panel receptor de la unidad interior

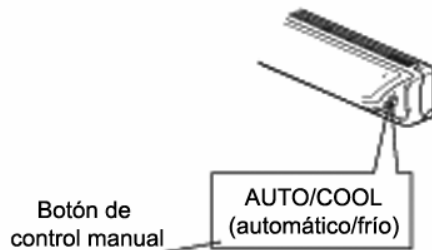
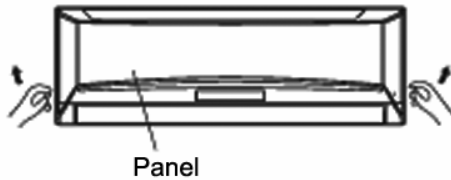
El panel indicador de la unidad interior será similar a uno de los aquí ilustrados:



1. **Indicador AUTO (automático)**
Se enciende cuando el acondicionador está en funcionamiento AUTO.
2. **Indicador DEFROST (descongelación) (sólo para modelos con sólo frío y calefacción)**
Se enciende cuando el acondicionador empieza a descongelarse automáticamente o cuando la función de control del aire caliente se activa en el modo de calefacción.
3. **Indicador TEMPERATURE (temperatura)**
Indica la temperatura elegida cuando está funcionando el acondicionador.
4. **Indicador OPERATION (funcionamiento)**
Este piloto parpadea después de conectar la alimentación y se enciende cuando la unidad está funcionando.
5. **Indicador TIMER (programador)**
Este piloto se ilumina cuando el programador enciende o apaga el equipo.

FUNCIONAMIENTO MANUAL

Puede utilizar el funcionamiento manual temporalmente si no encuentra el mando a distancia o si se le han agotado las pilas.



1. Abra y levante el panel delantero hasta que se quede fijo con un chasquido.
2. Una pulsación del botón de control manual inicia el funcionamiento automático forzado.
3. Cierre el panel firmemente en su posición original.

IMPORTANTE:

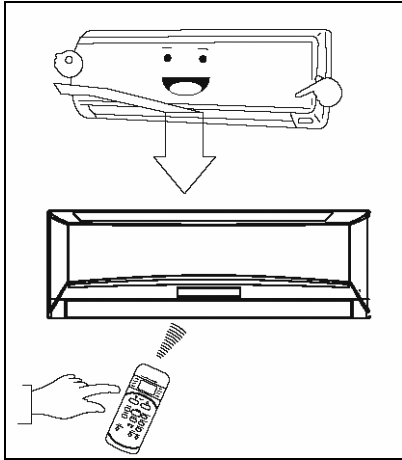
- Cada vez que pulsa el botón manual, el modo de funcionamiento cambia en el orden AUTO, COOL, OFF (automático, frío, apagado).
- Si pulsa el botón dos veces, la unidad entrará en el modo de refrigeración forzada. Esto se usa sólo durante las pruebas.
- Una tercera pulsación apaga el acondicionador.
- Para recuperar el funcionamiento con el mando a distancia, utilice éste directamente.

COMPONENTES PARA UN FUNCIONAMIENTO ÓPTIMO

Para lograr un rendimiento óptimo, tenga en cuenta lo siguiente:

- Ajuste correctamente la dirección del aire para que no esté dirigido hacia las personas.
- Ajuste la temperatura, de modo que la comodidad sea máxima. No ajuste la temperatura a valores extremos.
- Cierre puertas y ventanas una vez que la unidad esté en funcionamiento, pues de otro modo disminuirá el rendimiento.
- Utilice el botón TIMER ON (programador de puesta en marcha) del mando a distancia para definir la hora en que quiere que se ponga en marcha el acondicionador.
- No coloque objetos cerca de la entrada o la salida de aire, pues reducirían el rendimiento de la unidad, que puede llegar a pararse.
- Limpie periódicamente el filtro de aire, pues de otro modo disminuiría el rendimiento de la unidad.
- No haga funcionar la unidad con el deflector horizontal cerrado.

ORIENTACIÓN DE LA SALIDA DEL AIRE



- Oriente adecuadamente la dirección del aire de modo que no resulte incómodo ni provoque temperaturas irregulares en la sala.
- Oriente el deflector horizontal con el mando a distancia.
- Oriente el deflector vertical con la mano.

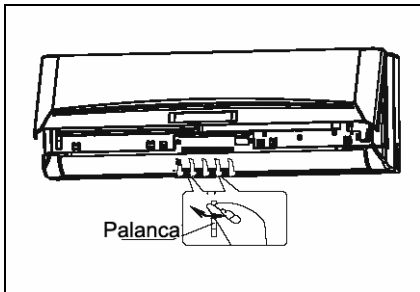
Orientación vertical de la salida del aire (arriba – abajo)

La unidad ajusta automáticamente la dirección del aire según el modo de funcionamiento.

Ajuste de la dirección vertical del aire

Ejecute esta operación con el aparato en marcha.

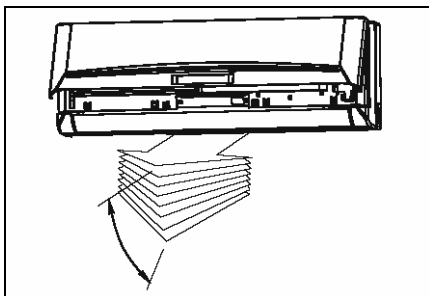
Mantenga pulsado el botón AIR DIRECTION (dirección del aire) del mando a distancia para que el deflector se mueva en la dirección deseada.



- Oriente la dirección vertical del aire como quiera.
- En adelante, el deflector vertical se ajustará automáticamente a la posición que haya elegido pulsando el botón AIR DIRECTION.

Orientación horizontal del aire (izquierda – derecha)

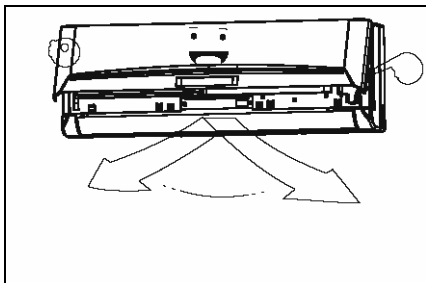
Oriente con la mano el deflector vertical utilizando la palanca situada a la izquierda o a la derecha (según el modelo). Tenga cuidado para no pillarse los dedos con el ventilador o con el deflector horizontal y para no dañar el deflector vertical. Con la unidad en funcionamiento y el deflector horizontal fijo, mueva la palanca de la izquierda (o de la derecha, según el modelo) de la salida de aire hacia la posición deseada.



Para que la inclinación del aire oscile automáticamente (arriba – abajo)

Ejecute esta operación con el aparato en marcha.

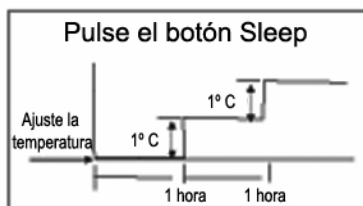
- Pulse el botón SWING (oscilación) del mando a distancia.
- Para detener la función, pulse de nuevo el botón SWING. Pulse el botón AIR DIRECTION para dejar fija el deflector en la posición deseada.



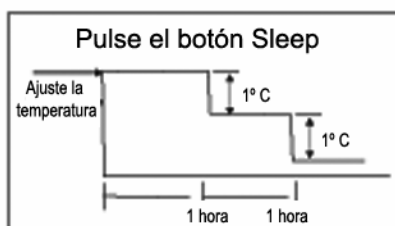
⚠ CUIDADO

- Los botones AIR DIRECTION y SWING no funcionan si el acondicionador está apagado (aunque se haya activado TIMER ON).
- No haga funcionar la unidad en los modos de refrigeración o secado con el aire dirigido hacia abajo durante mucho tiempo seguido. De otro modo se formaría condensación en el deflector horizontal y el agua gotearía sobre el suelo o los muebles.
- No mueva con la mano el deflector horizontal. Utilice siempre los botones AIR DIRECTION o SWING. Si lo mueve con la mano, podría funcionar mal durante al encender la unidad. Si el deflector no funciona, detenga inmediatamente la unidad y vuelva a ponerlo en marcha.
- Cuando se pone en marcha la unidad inmediatamente después de haberlo parado, puede que el deflector horizontal permanezca inmóvil durante unos 10 segundos.
- El ángulo de apertura del deflector horizontal no debe ser demasiado pequeño, pues la estrechez de la ranura por la que se vería obligado a salir el aire perjudicaría el rendimiento en refrigeración y calefacción.
- No haga funcionar la unidad con el deflector horizontal cerrado.
- Cuando la unidad se conecta a la red (conexión inicial), el deflector horizontal puede hacer ruido durante unos 10 segundos; es normal.

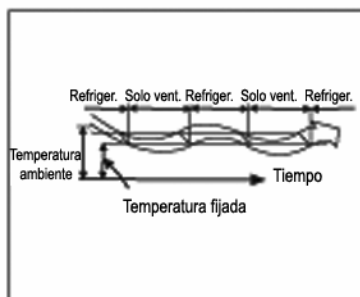
FUNCIONAMIENTO DE LA UNIDAD



Refrigeración



Calefacción



Funcionamiento del secado

FUNCIONAMIENTO AUTOMÁTICO

- En el modo AUTO, la unidad selecciona automáticamente el modo de refrigeración, calefacción (sólo en modelos con refrigeración y calefacción) o ventilación en función de las temperaturas elegida y ambiente.
- La unidad mantiene automáticamente la temperatura de la sala a un valor próximo al fijado.
- Si el modo AUTO no resulta confortable, se pueden elegir de forma manual las condiciones deseadas.

FUNCIONAMIENTO SLEEP (NOCHE)

Cuando se pulsa el botón SLEEP (noche) durante el funcionamiento de refrigeración, calefacción (el tipo de solo Frío no lo tiene) o automático, la unidad aumentará (refrigeración) o disminuirá (calefacción) la temperatura a razón de 1 °C por hora. Dos horas después, la temperatura fijada permanecerá estacionaria. La velocidad del ventilador se ajusta automáticamente.

Nota: la unidad se apaga automáticamente después de 7 horas en modo SLEEP.

SECADO

- El modo de secado selecciona automáticamente la operación de secado en función de la diferencia entre la temperatura fijada y la temperatura real de la sala.
- La temperatura se regula durante la deshumidificación cambiando repetidamente entre refrigeración y sólo ventilación. La velocidad del ventilador es LOW (baja).

Mando a distancia

Especificaciones del mando a distancia

Modelo	R51D/E, R51D/CE
Tensión nominal	3,0 V (pilas secas alcalinas LR03 X 2)
Tensión mínima de la UCP emisora de la señal	2,0 V
Alcance de la señal	8 m (a una tensión de 3,0 alcanza 11 m)
Condiciones ambientales	-5 °C ~ 60 °C

Introducción a los botones de función del mando a distancia

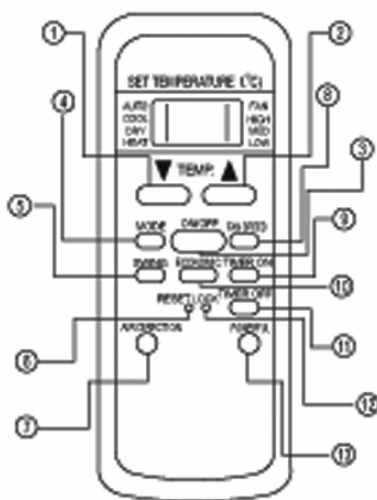


Figura 1

SET TEMPERATURE (°C)	(ajustar temperatura)
AUTO	(automático)
FAN	(ventilador)
COOL	(frío)
HIGH	(alta)
DRY	(secar)
MED	(media)
HEAT	(calor)
LOW	(baja)
▼ TEMP. ▲	Subir o bajar temperatura
MODE	(modo)
ON/OFF	(encendido/apagado)
FAN SPEED	(velocidad del ventilador)
SWING	(oscilación)
ECONOMIC	(económico)
TIMER ON	(encendido programado)
RESET	(reiniciar)
LOCK	(bloquear)
TIMER OFF	(apagado programado)
AIR DIRECTION	(dirección del aire)
POWERFUL	(potente)

- Botón TEMP▼:** Pulse este botón para reducir la temperatura ajustada para el interior.
- Botón TEMP▲:** Pulse este botón para aumentar la temperatura ajustada para el interior.
- Botón ON/OFF:** Pulse este botón para poner en marcha la unidad. Púlselo de nuevo para apagarla.
- Botón de selección MODE:** Cada vez que se pulsa el botón, el modo cambia en la secuencia AUTO COOL DRY HEAT FAN (automático, frío, secado, calor, ventilación), como indica la figura:
 → AUTO → COOL → DRY → HEAT → FAN →

▲ NOTA: el modelo de solo refrigeración no tiene función HEAT.

- Botón SWING:** Pulse este botón para que el deflector oscile hacia arriba y hacia abajo de forma automática. Vuelva a pulsarlo para detenerlo.
- Botón RESET:** Cuando se pulsa el botón RESET, se cancelan todos los ajustes actuales y se devuelve el control a los valores de fábrica (para accionar este botón hace falta una varilla de 1 mm).
- Botón AIR DIRECTION:** Al pulsar este botón, el deflector queda fijo en el ángulo deseado. El deflector gira (hacia arriba o hacia abajo) un cierto ángulo cada vez que se pulsa. Cuando el deflector alcanza un ángulo que pudiera afectar al rendimiento en refrigeración o calefacción del acondicionador, cambia automáticamente el sentido de giro (hacia arriba o hacia abajo).
- Botón SPEED:** Este botón ajusta la velocidad del ventilador en la secuencia AUTO LOW MED HIGH (automática, baja, media, alta) y vuelta a empezar.
- Botón TIMER ON:** Pulse este botón para programar la hora de encendido. Cada vez que se pulsa, la hora de arranque avanza 30 minutos. Cuando la hora de puesta en marcha señale 10:00, cada nueva pulsación dará un salto de 60 minutos. Para cancelar la hora de puesta en marcha, basta ajustar el programador a 0:00.

10. **Botón ECONOMIC RUNNING (funcionamiento económico):** Pulse este botón para pasar al modo de funcionamiento de ahorro de energía. Pulse de nuevo el botón para cancelarlo.
11. **Botón TIMER OFF:** Pulse este botón para programar la hora de parada. Cada vez que se pulsa, la hora de apagado avanza 30 minutos. Cuando la hora de apagado señale 10:00, cada nueva pulsación dará un salto de 60 minutos. Para cancelar la hora de apagado, basta ajustar el programador a 0:00.
12. **Botón LOCK:** Pulse este botón para bloquear todos los ajustes actuales. Para liberar los ajustes, vuelva a pulsarlo. (Utilice una varilla de 1 mm para pulsar el botón.)
13. **Botón POWERFUL:** Pulse este botón en los modos refrigeración o calefacción para pasar al funcionamiento potente. Púlselo de nuevo para cancelarlo.

Nota: La unidad vuelve automáticamente al modo de funcionamiento anterior después de haber funcionado en el modo de refrigeración potente.

Funciones de los indicadores del mando a distancia

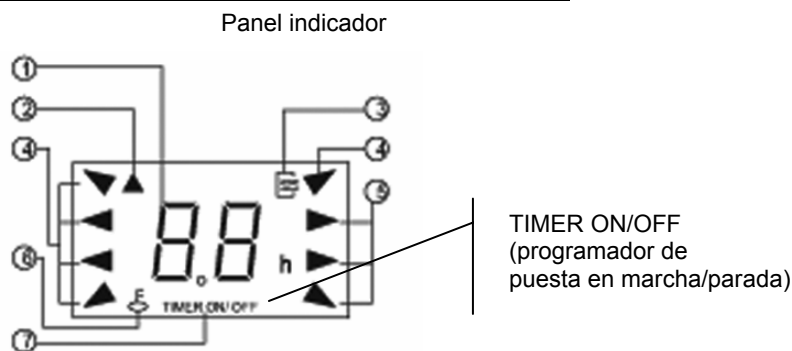


Figura 2

1. **Presentación digital:** Esta zona indica la temperatura y, en el modo programado, las horas de arranque y parada. Vuelve automáticamente a presentar la temperatura pasados 5 segundos. En el modo de funcionamiento "FAN" (ventilador), esta zona no indica nada.
2. **Indicador de transmisión:** Este piloto parpadea una vez cuando el mando a distancia transmite señales a la unidad interior.
3. **Indicador de encendido y apagado:** Este símbolo se enciende cuando se pone en marcha la unidad con el mando a distancia, y se apaga cuando la unidad se apaga.
4. **Indicadores de modo de funcionamiento:** Señalan el modo de funcionamiento actual: "AUTO", "COOL", "DRY", "HEAT", "FAN". HEAT solamente aparece en modelos con bomba de calor.
5. **Indicador de velocidad del ventilador:** Pulse el botón FAN SPEED para seleccionar la velocidad del ventilador deseada (Auto-Low-Med-High). El valor elegido aparece en la ventanilla de LCD, salvo la posición Auto.
6. **Indicador de bloqueo:** Este símbolo se ilumina cuando se pulsa el botón LOCK, y desaparece cuando se vuelve a pulsar.
7. **Horas programadas de encendido y apagado:** Aquí aparecen los valores de encendido y apagado programados. Si sólo se ha programado la hora de puesta en marcha, mostrará TIMER ON. Si sólo se ha programado la de parada, mostrará TIMER OFF. Si se han programado los dos valores, mostrará TIMER ON/OFF, lo que indica que se han programado las horas de arranque y parada.

NOTA: En la figura 2 aparecen todos los signos por razones de claridad de la explicación. Pero en el funcionamiento real solamente aparecen en el panel los elementos funcionales correspondientes a cada operación.

Manejo del mando a distancia

Colocación y cambio de las pilas

El mando a distancia utiliza dos pilas secas alcalinas (LR03X2).

1. Para colocarlas, deslice hacia atrás la tapa del alojamiento de las pilas y colóquelas en el sentido que se muestra (+ y -) en el propio mando.
2. Repita la misma operación para cambiar las pilas gastadas.

FUNCIONAMIENTO AUTOMÁTICO

Cuando la unidad esté lista para entrar en funcionamiento, enciéndalo: el piloto indicador de funcionamiento del panel de la unidad interior empezará a parpadear.

1. Utilice el botón de selección de modo para elegir AUTO.
2. Pulse el botón TEMP para fijar la temperatura deseada para la sala. Los valores más confortables se encuentran entre 21 °C y 28 °C.
3. Pulse el botón ON/OFF para poner en marcha la unidad. Se enciende el piloto indicador de funcionamiento en el panel de la unidad interior. El modo de funcionamiento es AUTO; la velocidad del ventilador se ajusta automáticamente y no aparecen indicadores en el panel del mando a distancia.
4. Pulse de nuevo el botón ON/OFF para apagar el aparato.

NOTA

1. *En el modo AUTO, la unidad puede elegir refrigeración, ventilación, calefacción o deshumidificación en función de la diferencia entre la temperatura ambiente real de la sala y la temperatura fijada en el mando a distancia.*
2. *Si no se encuentra a gusto en el modo AUTO, elija manualmente el deseado.*

Refrigeración / calefacción (falta en modelos de solo refrigeración) y sólo ventilación

1. Si no se encuentra a gusto con el modo AUTO, puede saltar manualmente a los modos COOL, HEAT o FAN ONLY.
2. Pulse el botón TEMP para fijar la temperatura deseada para la sala. En el modo COOL, los valores más confortables son de 21 °C o más. En el modo HEAT, los valores más confortables son de 28 °C o menos.
3. Active FAN SPEED para ajustar la velocidad del ventilador a los valores auto, alta, media o baja.
4. Pulse el botón ON/OFF; se encenderá el piloto de funcionamiento y el acondicionador se pondrá en marcha en el modo que haya elegido. Pulse de nuevo el botón ON/OFF para apagar la unidad.

NOTA

El modo FAN ONLY no permite controlar la temperatura. Mientras esté en este modo, solamente se pueden ejecutar los pasos 1, 3 y 4.

Deshumidificación

1. Pulse el botón MODE para seleccionar DRY.
2. Pulse el botón TEMP para fijar la temperatura deseada entre 21 °C y 28 °C.
3. Pulse el botón ON/OFF; se encenderá el piloto de funcionamiento y la unidad se pondrá en marcha en el modo DRY (deshumidificación). El ventilador funciona a velocidad baja (LOW). Pulse de nuevo el botón ON/OFF para apagar la unidad.

NOTA

En función de la diferencia entre la temperatura fijada en la unidad y la temperatura interior real, cuando la unidad esté en el modo DRY saltará muchas veces entre los modos COOL y FAN.



Funcionamiento con programador

El botón TIMER ON sirve para programar la hora de puesta en marcha de la unidad. El botón TIMER OFF programa la hora de parada de la unidad.

1. Para programar la hora de arranque.

- 1.1 Al pulsar el botón TIMER ON, el mando a distancia muestra TIMER ON, la última hora de arranque programada y la señal "h" en la zona de indicaciones digitales. Ahora puede programar la hora de arranque.
- 1.2 Pulse de nuevo el botón TIMER ON para ajustar la hora de arranque.
- 1.3 Después de pulsar TIMER ON, el mando espera medio segundo antes de transmitir la señal a la unidad. Pasados unos 2 segundos, desaparece la señal "h" y reaparece en la pantalla la temperatura fijada.

2. Para programar la hora de apagado.

- 2.1 Al pulsar el botón TIMER OFF, el mando a distancia muestra TIMER OFF, la última hora de parada programada y la señal "h" en la zona de indicaciones digitales. Ahora puede programar la hora de parada.
- 2.2 Pulse de nuevo el botón TIMER OFF para ajustar la hora de parada.
- 2.3 Después de pulsar TIMER OFF, el mando espera medio segundo antes de transmitir la señal a la unidad. Pasados unos 2 segundos, desaparece la señal "h" y reaparece en la pantalla la temperatura fijada.

3. Para programar las horas de arranque y de parada

- 3.1 Pulse el botón TIMER ON; el mando a distancia muestra TIMER ON, la última hora de arranque programada y la señal "h" en la zona de indicaciones digitales. Ahora puede programar la hora de arranque.
- 3.2 Pulse de nuevo el botón TIMER ON para ajustar la hora de arranque.
- 3.3 Pulse el botón TIMER OFF; el mando a distancia muestra TIMER OFF, la última hora de parada programada y la señal "h" en la zona de indicaciones digitales. Ahora puede programar la hora de parada.
- 3.4 Pulse de nuevo el botón TIMER OFF para ajustar la hora de parada.
- 3.5 Cuando termine la programación, el mando espera medio segundo antes de transmitir la señal a la unidad. Después, pasados unos 2 segundos, reaparece la temperatura fijada en la visualización digital.

Cambio de las horas programadas

Para cambiar las horas de arranque o parada, pulse simplemente el botón correspondiente del temporizador y fije los valores deseados.



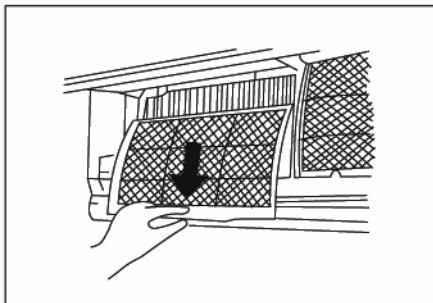
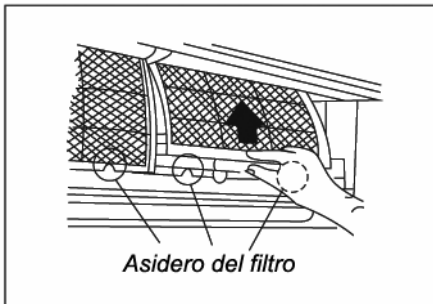
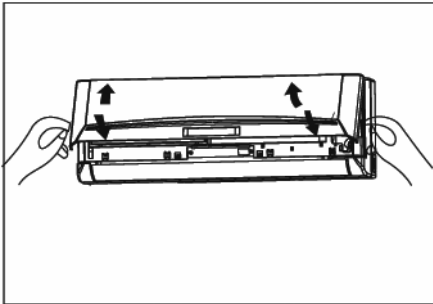
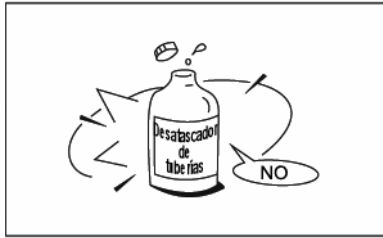
NOTA

La hora programada es relativa. Es decir, se define con respecto a la hora actual.

Importante

1. Asegúrese de que no hay obstáculos entre el mando a distancia y el receptor de la unidad interior, pues de otro modo el acondicionador no funcionará bien.
2. Mantenga el mando a distancia lejos de cualquier líquido.
3. Protéjalo de las temperaturas altas y de la radiación.
4. Para responder correctamente al mando, el receptor de la unidad interior no debe estar expuesto a la luz solar directa.
5. No exponga el mando a distancia a las interferencias electromagnéticas causadas por otros electrodomésticos.
6. Cuando cambie las pilas, no utilice pilas usadas ni de un tipo distinto. De otro modo, el mando a distancia funcionaría mal.
7. Si no va a usar el mando a distancia durante varias semanas, quite las pilas. Así evitará que se estropee a consecuencia de la fuga de líquido de las pilas.
8. La vida media de las pilas en condiciones normales es de unos 6 meses.
9. Cambie las pilas cuando no se produzca un pitido de respuesta de la unidad interior o si deja de lucir el piloto de transmisión.

MANTENIMIENTO



⚠ ATENCIÓN

Apague la unidad y desconéctela de la red antes de limpiarlo.

Limpieza de la unidad interior y del mando a distancia

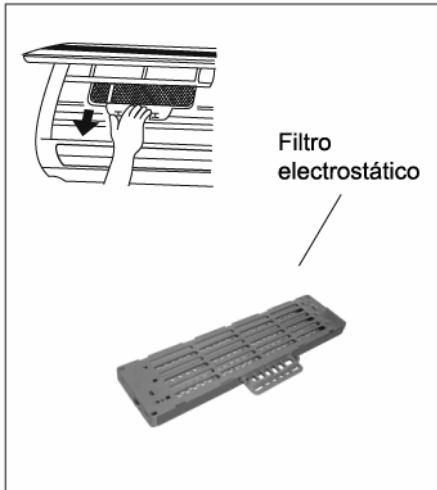
⚠ PRECAUCIONES

- Limpie la unidad interior y el mando a distancia con un paño seco.
- Si la unidad interior está muy sucia, impregne el paño en agua fría.
- El panel frontal de la unidad interior se puede desmontar y limpiar con agua. Séquelo con un paño.
- No limpie la unidad con paños tratados con productos químicos o sustancias para atrapar el polvo.
- No utilice bencina, disolvente, polvos de pulir o similares para limpiar el aparato. Pueden agrietar o deformar las superficies de plástico.

Limpieza del filtro de aire

Un filtro de aire colmatado disminuye el rendimiento de refrigeración de esta unidad. Limpie el filtro cada 2 semanas.

1. Levante el panel de la unidad interior hasta un ángulo en que se quede fijo con un chasquido.
2. Levante un poco el filtro de aire por su asidero, sáquelo del portafiltros y retírelo tirando hacia abajo.
3. Retire el filtro de aire de la unidad interior.
 - Limpie el filtro de aire cada dos semanas.
 - Limpie el filtro de aire con una aspiradora o con agua y déjelo secar en un lugar fresco.



4. Saque el filtro electrostático de su marco como ilustra la figura de la izquierda (no es aplicable a las unidades que no disponen de filtro electrostático).

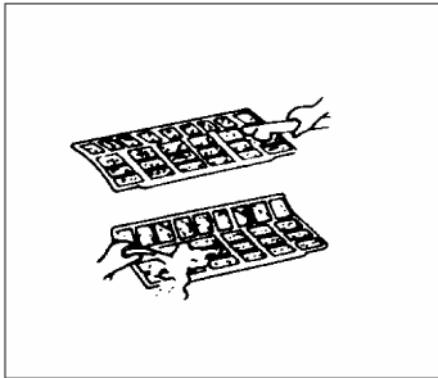
⚠ No toque el filtro electrostático en los 10 minutos siguientes a abrir la rejilla de entrada, ya que puede producir descargas eléctricas.

- Limpie el filtro electrostático con un detergente suave o con agua y déjelo secar a la luz del sol durante dos horas.
 - Antes de volver a montarlo, compruebe si está dañada la línea de corona o el marco.
5. Vuelva a colocar el filtro renovador del aire en su sitio.
6. Introduzca la parte superior del filtro en la unidad, teniendo cuidado de que los bordes izquierdo y derecho estén correctamente alineados, y encájelo en su sitio.

Mantenimiento

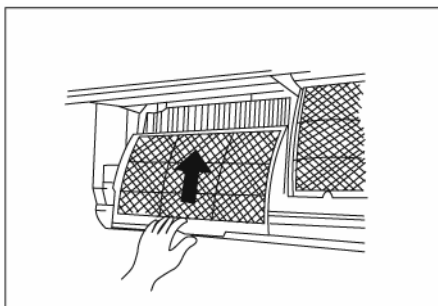
Si la unidad va a estar algún tiempo parada, haga lo siguiente:

- (1) Haga funcionar el ventilador durante medio día para secar el interior de la unidad.
- (2) Pare la unidad y desconéctela de la red. Quite las pilas del mando a distancia.
- (3) La unidad exterior requiere mantenimiento y limpieza periódicos. No intente hacerlo usted mismo. Llame al concesionario o al servicio técnico.



Comprobaciones antes de la puesta en marcha

- Asegúrese de que los cables no están rotos o desconectados.
- Compruebe si está instalado el filtro de aire.
- Si la unidad lleva mucho tiempo parada, asegúrese de que la entrada y la salida de aire no están bloqueadas.



⚠ PRECAUCIONES

- No toque las partes metálicas de la unidad cuando retire el filtro. Los bordes metálicos afilados pueden causar lesiones.
- No limpie con agua el interior de la unidad. La exposición al agua puede destruir el aislamiento y provocar descargas eléctricas.
- Antes de limpiar la unidad, abra el seccionador y el disyuntor eléctricos.

CONSEJOS DE USO

Las circunstancias descritas a continuación pueden presentarse durante el funcionamiento normal.

1. Protección del acondicionador.

Protección del compresor

- El compresor no se puede volver a poner en marcha durante los 3 minutos siguientes a la parada.

Protección contra aire frío (solo en los modelos con refrigeración y calefacción)

- La unidad está diseñada para que no descargue aire frío en el modo de calefacción cuando el intercambiador de calor interior se encuentra en alguna de las tres situaciones siguientes y no se ha alcanzado la temperatura fijada:
 - A) Cuando se acaba de poner en marcha la calefacción.
 - B) Cuando está descongelando.
 - C) En calefacción con bajas temperaturas.
- El ventilador interior y el exterior dejan de funcionar cuando está descongelando (sólo los modelos con refrigeración y calefacción). Descongelación (sólo los modelos con refrigeración y congelación)
- Se puede formar escarcha en la unidad exterior durante el ciclo de calor cuando la temperatura exterior es baja y la humedad es alta, lo que se traduce en un menor rendimiento del acondicionador en calefacción.
- En este estado, el acondicionador parará la operación de calefacción y comenzará automáticamente la descongelación.
- El tiempo de descongelación oscila entre 4 y 10 minutos, según la temperatura exterior y la cantidad de escarcha acumulada en la unidad exterior.

2. La unidad interior emite una neblina blanca

- Se puede formar un vapor blanco en el modo de refrigeración si la diferencia de temperaturas entre la entrada y la salida del aire es muy grande y la humedad relativa del ambiente interior es muy elevada.
- También se puede formar vapor blanco a causa de la humedad producida durante la descongelación cuando el acondicionador vuelve a ponerse en marcha en el modo de calefacción.

3. El acondicionador emite un ruido bajo

- Se puede oír un ligero siseo cuando el acondicionador está en marcha o inmediatamente después de pararse. Es el ruido producido por el refrigerante que fluye o que se para.
- También se puede oír un ligero crujido cuando el acondicionador está en marcha o inmediatamente después de pararse. Se debe a la dilatación por el calor o a la contracción por el frío de los componentes plásticos de la unidad cuando varía la temperatura.
- También hace ruido el deflector cuando vuelve a su posición primitiva al encender la unidad.

4. La unidad interior expulsa polvo.

Es normal durante el primer uso o cuando el acondicionador se pone en marcha después de llevar mucho tiempo parado.

5. La unidad interior emite un olor peculiar.

Estos olores se deben al paso por la unidad interior de sustancias emitidas por materiales de construcción, muebles o humos.

6. El acondicionador pasa al modo de ventilación desde los modos de refrigeración o calefacción (sólo en modelos con refrigeración y calefacción).

Cuando la temperatura interior alcanza la fijada en el acondicionador, el compresor se para automáticamente y pasa al modo FAN ONLY (sólo ventilación). El compresor volverá a ponerse



en marcha cuando la temperatura interior suba en el modo de refrigeración o baje en el de calefacción (sólo en modelos con refrigeración y calefacción).

7. Puede gotear agua desde la unidad interior cuando el aparato funciona en modo de refrigeración en un ambiente muy húmedo (humedad relativa superior al 80 %). Ajuste el deflector horizontal en la posición de máxima salida de aire y eleve al máximo la velocidad del ventilador.

8. Modo de calefacción (solo para modelos con refrigeración y calefacción)

Cuando calienta, el acondicionador extrae calor desde la unidad exterior y lo libera en la interior. Cuando baja la temperatura exterior, baja asimismo el calor proporcionado por el acondicionador. Al mismo tiempo, la carga del acondicionador aumenta a causa de la mayor diferencia entre las temperaturas interior y exterior. Si no se alcanza una temperatura confortable con el acondicionador, le sugerimos que utilice un dispositivo de calefacción complementario.

9. Función de re arranque automático

El corte de la alimentación eléctrica durante el funcionamiento provoca la parada total de la unidad.

Si la unidad no dispone de la función de re arranque automático, el piloto indicador del funcionamiento de la unidad interior empezará a parpadear cuando vuelva la electricidad. Pulse el botón ON/OFF del mando a distancia para volver a poner en marcha el equipo. Si la unidad tiene función de re arranque automático, arrancará automáticamente con todos los ajustes anteriores gracias a la función de memoria.

10. Los rayos y teléfonos móviles cercanos pueden degradar el funcionamiento del aparato. Desconecte la unidad de la red y vuélvala a conectar. Pulse el botón ON/OFF del mando a distancia para ponerla en marcha de nuevo.

Consejos para la solución de averías

Fallos y soluciones

Detenga inmediatamente el acondicionador si se produce alguna de las averías siguientes. Desconecte la alimentación eléctrica y llame al centro de asistencia al cliente más próximo.	
Problema	El piloto indicador de funcionamiento o algún otro indicador parpadea rápidamente (5 veces por segundo) y el parpadeo no se corrige desconectando la alimentación y volviéndola a conectar.
	El fusible se quema o salta el disyuntor con mucha frecuencia.
	Ha penetrado agua o algún objeto en la unidad.
	El mando a distancia no funciona o funciona mal.
	Otras situaciones anómalas.

Avería	Causa	¿Qué hay que hacer?
La unidad no se pone en marcha	Corte de energía eléctrica	Espere a que se restablezca
	Puede haberse desconectado la unidad.	Compruebe que el enchufe está bien colocado en la base.
	Puede haberse fundido el fusible.	Sustitúyalo
	Se pueden haber agotado las pilas del mando a distancia.	Cambie las pilas
	No es correcta la hora programada.	Espere o cancele el ajuste del programador
La unidad no enfría ni calienta muy bien la sala (solo en modelos con refrigeración y calefacción) aunque sale aire del acondicionador	La temperatura ajustada que no es adecuada	Ajuste la temperatura correctamente
	El filtro de aire está colmatado	Limpie el filtro de aire
	Están abiertas las puertas o ventanas	Cíerrelas
	Está obstruida la entrada o la salida de aire de las unidades interior o exterior	Elimine las posibles obstrucciones y vuelva a poner en marcha la unidad
	Se ha activado la protección de 3 minutos del compresor	Espere
Si no se resuelve el problema, llame al concesionario o al centro de asistencia al cliente más próximo. Describa con detalle la avería y el modelo de la unidad.		

**Notas: No intente reparar el aparato usted mismo.
Acuda siempre a un servicio técnico autorizado.**



FRANÇAIS

TABLE DES MATIÈRES

CONSIGNES DE SÉCURITÉ	1
NOMENCLATURE	4
FONCTIONNEMENT MANUEL	5
FONCTIONNEMENT OPTIMAL.....	5
RÉGLAGE DIRECTIONNEL DU DÉBIT D'AIR.....	6
COMMENT FONCTIONNE LE CLIMATISEUR	7
SPÉCIFICATIONS DE LA TÉLÉCOMMANDE	8
INTRODUCTION AUX TOUCHES DE FONCTIONS DE LA TÉLÉCOMMANDE.....	8
NOMS ET FONCTIONS DES VOYANTS DE LA TÉLÉCOMMANDE	9
FONCTIONNEMENT DE LA TÉLÉCOMMANDE	10
ENTRETIEN	12
CONSEILS D'UTILISATION	14
CONSEILS DE DÉPANNAGE	16

Lisez attentivement ce manuel

Vous y trouverez des conseils utiles concernant l'utilisation et l'entretien de votre appareil de climatisation. Un peu de maintenance préventive vous fera économiser du temps et de l'argent pendant la durée de vie de votre climatiseur. Vous trouverez de nombreuses réponses à des problèmes courants dans le tableau de conseils de dépannage. Si vous jetez avant un coup d'œil aux conseils de dépannage, vous n'aurez pas besoin d'appeler un dépanneur.

ATTENTION

- Pour la réparation et l'entretien de cet appareil, contactez un technicien autorisé. Confiez-en l'installation à un installateur professionnel.
- L'appareil ne doit pas être utilisé par des jeunes enfants ou des invalides sans surveillance.
- Surveillez que les jeunes enfants ne jouent pas avec le climatiseur.
- Si le cordon d'alimentation devait être remplacé, seul un technicien spécialisé est autorisé à le faire.
- Les travaux d'installations doivent être conformes aux normes nationales de câblage électrique et effectués uniquement par du personnel agréé.

Consignes de sécurité

Pour éviter les accidents de l'utilisateur ou autres personnes ou sur les biens personnels, veuillez suivre les consignes suivantes:

Le fonctionnement incorrect dû à l'ignorance de ces consignes peut provoquer des blessures ou des dégâts. La gravité est classée selon les indications suivantes:

DANGER	Ce signe désigne des démarches pouvant entraîner des blessures graves, voire la mort.
ATTENTION	Ce signe désigne des démarches pouvant entraîner des blessures ou des dégâts matériels.

- La signification des symboles utilisés dans ce manuel est indiquée ci-dessous.

	Ne jamais procéder ainsi
	Toujours procéder ainsi

DANGER

⊘ La connexion électrique doit être correctement effectuée.

- Sinon, cela pourrait provoquer une décharge électrique ou un incendie dû à l'excès de chaleur.

⊘ Ne pas modifier la longueur du cordon d'alimentation, ni le partager avec d'autres applications

- Cela pourrait provoquer une décharge électrique ou un incendie dû à l'excès de chaleur.

⊘ S'assurer de l'efficacité de la mise à la terre

- Le manque de neutre pourrait provoquer une décharge électrique.

⊘ En cas de bruit étrange, d'odeur ou de fumée, mettez immédiatement l'appareil hors tension.

- Cela pourrait provoquer un incendie ou une décharge électrique.

⊘ Les armes à feu doivent être éloignées de l'appareil.

- Un incendie pourrait se produire.

⊘ S'il y a une fuite de gaz provenant d'un autre appareil, ventilez la pièce avant de mettre le climatiseur en service.

- Cela pourrait causer une explosion, un incendie ou des brûlures.

⊘ Ne jamais allumer ou éteindre l'appareil en branchant ou en débranchant la prise de courant

- Cela pourrait provoquer une décharge électrique ou un incendie dû à l'excès de chaleur.

⊘ Ne pas mettre l'appareil en service avec les mains mouillées ou en milieu humide.

- Cela pourrait provoquer une décharge électrique.

⊘ Ne pas faire tomber d'eau dans les parties électriques.

- Cela pourrait provoquer une panne de l'appareil ou une décharge électrique.

⊘ Ne pas utiliser la prise si elle n'est pas bien fixée ou si elle est endommagée

- Cela pourrait provoquer un incendie ou une décharge électrique.

⊘ Ne pas utiliser le cordon d'alimentation près d'une source de chaleur.

- Cela pourrait provoquer un incendie ou une décharge électrique.

⊘ Ne pas abîmer le cordon d'alimentation. Ne pas utiliser un cordon non conforme.

- Cela pourrait provoquer une décharge électrique ou un incendie.

⊘ Ne pas diriger le courant d'air directement sur les occupants de la pièce.

- Cela pourrait nuire à leur santé.

⊘ Installer toujours un disjoncteur et un circuit électrique individuel.

- Dans le cas contraire, cela pourrait provoquer une décharge électrique.

⊘ Ne pas ouvrir l'appareil en marche.

- Cela pourrait provoquer une décharge électrique.

⊘ Ne pas utiliser le cordon d'alimentation près d'une source de gaz inflammable ou de combustibles, tels que de l'essence, du benzène, du dissolvant, etc.

- Cela pourrait causer une explosion ou un incendie.

⊘ Ne pas démonter ni modifier l'appareil.

- Cela pourrait provoquer une panne ou une décharge électrique.

 **ATTENTION**

⊗ **Ne pas toucher les parties métalliques de l'appareil lors du retrait du filtre à air.**

- Cela pourrait provoquer un accident.

⊗ **Ne pas laver le climatiseur à l'eau.**

- De l'eau pourrait tomber dans l'appareil et endommager l'isolant. Cela pourrait provoquer une décharge électrique.

⊗ **Bien ventiler la pièce en cas d'utilisation conjointe avec un poêle, etc.**

- Un manque d'oxygène pourrait se produire.

⊗ **Couper l'alimentation électrique via le disjoncteur et le cordon d'alimentation lors du nettoyage de l'appareil.**

- Ne pas nettoyer l'appareil s'il est branché: un incendie, une décharge électrique ou un accident pourraient se produire.

⊗ **Ne placez pas des animaux ou des plantes directement dans le courant d'air de l'appareil.**

- Cela peut nuire à la plante ou à l'animal.

⊗ **Ne pas utiliser l'appareil pour une fonction autre que celle prévue.**

- Ne pas utiliser le climatiseur pour la conservation d'instruments de précision, d'aliments, d'animaux domestiques, de plantes ou d'objets d'art.

Cela pourrait les abîmer ou nuire à leur qualité.

⊗ **Mettre l'appareil hors service et fermer les fenêtres en cas de tempête ou d'ouragan.**

- Le fonctionnement avec les fenêtres ouvertes peut humidifier l'intérieur et endommager le mobilier.

⊗ **Débrancher toujours le cordon en le tenant par la fiche.**

- Tirer sur le cordon risque de causer une décharge électrique et un accident.

⊗ **Coupez l'alimentation si vous n'utilisez pas le climatiseur pendant une période prolongée.**

- Cela pourrait provoquer une panne de l'appareil ou un incendie.

⊗ **Ne pas placer d'obstacle autour de l'admission d'air ou devant la décharge d'air.**

- Cela pourrait provoquer une panne de l'appareil ou un accident.

⊗ **S'assurer que le support d'installation de l'unité extérieure ne s'abîme pas du fait d'une exposition prolongée.**

- Si le support est endommagé, il y a risque de chute de l'appareil.

⊗ **Introduire toujours les filtres avec précaution. Nettoyer les filtres toutes les deux semaines.**

- Le fonctionnement sans filtres peut provoquer une panne.

⊗ **Ne pas utiliser de détergents trop puissants, tels que de la cire ou du dissolvant. Utiliser un chiffon pour le nettoyage.**

- L'aspect extérieur pourrait en être affecté (changement de couleur ou rayures de la surface).

⊗ **Ne pas placer d'objets lourds sur le cordon d'alimentation et s'assurer qu'il n'est pas emprisonné.**

- Cela pourrait provoquer une décharge électrique ou un incendie.

⊗ **Ne pas boire l'eau de vidange du climatiseur.**

- Elle contient des polluants pouvant nuire à la santé.

⊗ **Enlever l'emballage et installer avec précaution. Les arêtes agressives peuvent causer des blessures.**

⊗ **Si de l'eau pénètre dans le circuit, mettre l'appareil hors service et le débrancher. Isoler l'alimentation en débranchant la prise de courant et contactez un réparateur agréé.**

Préparatifs

1. Confiez l'installation à un spécialiste.
2. Assurez-vous que la mise à la terre est efficace.
3. N'utilisez pas un cordon abîmé ou non conforme.
4. Ne partagez pas la prise avec d'autres applications.
5. N'utilisez pas de rallonge.
6. Ne pas allumer/éteindre en coupant le courant.

Utilisation

1. L'exposition prolongée au courant d'air peut nuire à votre santé. N'exposez pas de personnes, animaux domestiques ou plantes d'intérieur directement au courant d'air pendant une période de temps prolongée.
2. Étant donné le risque de manque d'oxygène, aérez la pièce en cas d'utilisation conjointe avec un poêle ou tout autre dispositif de chauffage.
3. N'utilisez pas le climatiseur pour la conservation d'instruments de précision, d'aliments, d'animaux domestiques, de plantes ou d'objets d'art. Les effets de ce type d'utilisation sont pervers.

Nettoyage et entretien

1. Ne touchez pas les parties métalliques de l'appareil lors du retrait du filtre. La manipulation d'arêtes de métal agressives peut causer des blessures.
2. Ne pas laver l'intérieur du climatiseur à l'eau. L'exposition à l'eau peut détruire les isolants et provoquer une décharge électrique.
3. Coupez l'alimentation électrique via le disjoncteur et le cordon d'alimentation lors du nettoyage de l'appareil.

Dépannage

Contactez votre dépanneur agréé pour les opérations de réparation et de maintenance.

Température de fonctionnement

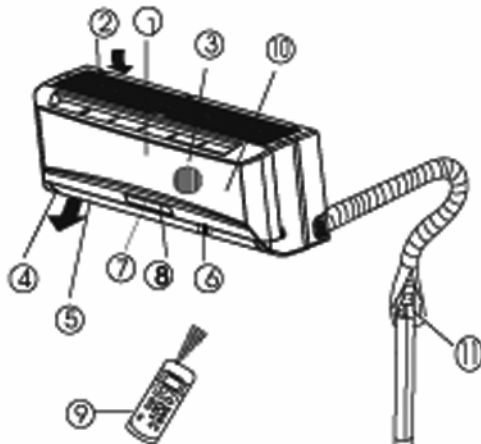
Mode	Refroidissement	Chauffage	Déshumidification
Température de la pièce	17 °C ~ 32 °C	17 °C ~ 30 °C	17 °C ~ 32 °C
Température extérieure	18 °C ~ 43 °C	-7 °C ~ 24 °C	18 °C ~ 43 °C

ATTENTION:

1. Si le climatiseur est utilisé en dehors de ces conditions, certains dispositifs de sécurité pourraient se mettre en marche et provoquer un fonctionnement anormal de l'appareil.
2. L'humidité relative de la pièce doit être inférieure à 80%. Si le climatiseur fonctionne au-delà de ces valeurs, une condensation peut se former à sa surface. Placez le déflecteur vertical d'air à son angle maximum (verticalement par rapport au sol), et réglez sur mode ventilateur HIGH.
3. Ces températures de fonctionnement fournissent une performance optimale.

NOMENCLATURE

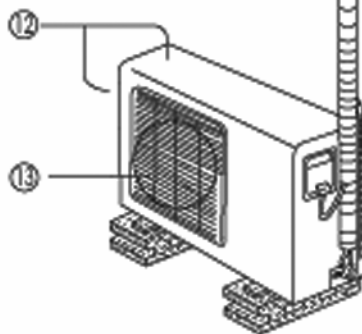
Unité intérieure



Unité intérieure

1. Panneau frontal
2. Admission d'air
3. Filtre à air
4. Décharge d'air
5. Déflecteur d'air horizontal
6. Déflecteur d'air vertical
7. Écran d'affichage des voyants
8. Récepteur du signal de télécommande
9. Télécommande
10. Touche de commande manuelle

Unité extérieure



Unité extérieure

11. Tuyauterie de raccordement, tuyau d'évacuation
12. Admission d'air (latéral et arrière)
13. Décharge d'air

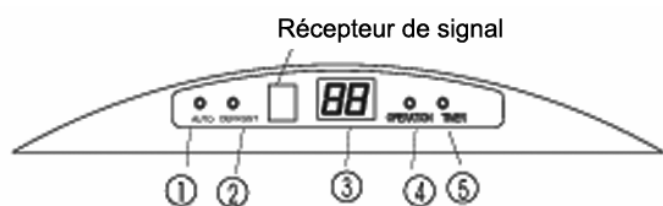
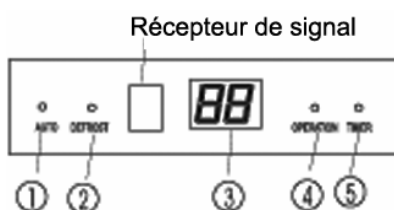
Le voyant de fonctionnement se met à clignoter rapidement (cinq fois par seconde) quand les dispositifs de sécurité se mettent en marche.

Nota:

Les illustrations de ce manuel ne sont qu'explicatives. Elles peuvent être légèrement différentes de l'appareil que vous avez acheté (selon le modèle). Guidez-vous à partir du modèle réel.

Indicateurs de fonctionnement sur l'écran d'affichage de l'unité intérieure

L'écran d'affichage de l'unité intérieure doit ressembler à une de ces illustrations :



1. Voyant AUTO

Ce voyant s'allume quand le climatiseur fonctionne en mode automatique.

2. Voyant DEFROST (DÉGIVRAGE) (seulement sur les modèles réversibles froid/chaud)

Ce voyant s'allume quand le climatiseur commence le dégivrage automatique ou quand le contrôleur d'air chaud est activé en mode chauffage.

3. Voyant TEMPÉRATURE

Indique les paramètres de température lors du fonctionnement de l'appareil.

4. Voyant OPERATION (FONCTIONNEMENT)

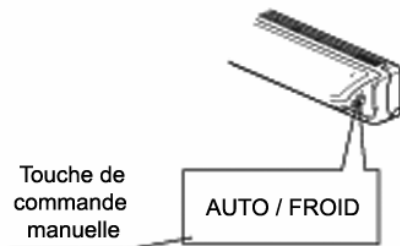
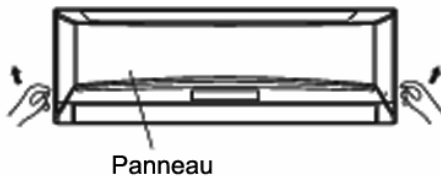
Ce voyant clignote après la mise en service et s'allume définitivement lors du fonctionnement.

5. Voyant TIMER (PROGRAMMATION)

Ce voyant s'allume quand le programmeur est mis sur marche /arrêt (ON/OFF).

FONCTIONNEMENT MANUEL

Il est possible de faire fonctionner l'appareil manuellement de façon temporaire si vous ne trouvez pas la télécommande ou si les piles sont mortes.



1. Ouvrez le panneau et soulevez-le jusqu'à un angle où il fera click pour le fixer.
2. Si vous appuyez une fois sur la touche de commande manuelle, le mode de fonctionnement forcé AUTO se met en marche.
3. Refermez fermement le panneau sur sa position d'origine.

ATTENTION:

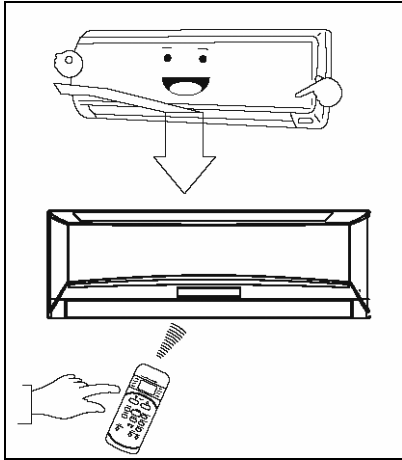
- Si vous appuyez sur la touche de commande manuelle, la séquence de mise en marche est la suivante: AUTO / FROID / ARRÊT
- Appuyez deux fois sur cette touche et l'appareil se met en marche en mode FROID. Ce mode n'est utilisé que pour tester le fonctionnement.
- La troisième fois que vous appuyez, l'appareil s'éteint.
- Pour rétablir le fonctionnement de la télécommande, il suffit de l'utiliser directement.

FONCTIONNEMENT OPTIMAL

Pour obtenir un fonctionnement optimal, lisez attentivement les consignes suivantes:

- Réglez correctement la décharge d'air pour que le courant ne soit pas dirigé directement sur les personnes.
- Réglez la température pour atteindre le niveau de confort maximum. Ne réglez pas l'appareil sur des températures trop élevées.
- Lors du fonctionnement en mode FROID ou CHAUD, fermez les portes et les fenêtres pour ne pas diminuer la performance.
- Utilisez la touche TIMER ON (MARCHE PROGRAMMATION) sur la télécommande pour choisir l'heure à laquelle vous souhaitez que l'appareil se mette en marche.
- Ne placez aucun objet près des arrivées et des sorties d'air, afin de ne pas réduire l'efficacité du climatiseur qui pourrait arrêter de fonctionner.
- Nettoyez régulièrement le filtre à air pour maintenir les performances de refroidissement ou de chauffage à un niveau optimal.
- Ne pas mettre l'appareil en service si la grille horizontale est fermée.

RÉGLAGE DIRECTIONNEL DU DÉBIT D'AIR



- Si la sortie d'air n'est pas correctement réglée, les performances de confort ou la température de la pièce peuvent être perturbées.
- Réglez le déflecteur horizontal à l'aide de la télécommande.
- Le réglage du déflecteur vertical est manuel.

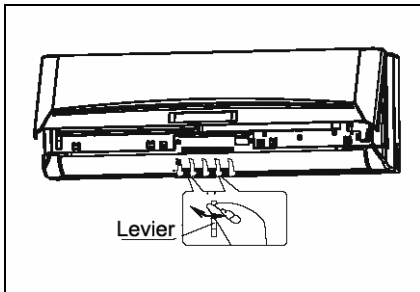
Réglage directionnel vertical du débit d'air (haut – bas)

Le climatiseur règle automatiquement la direction du débit d'air vertical en fonction du mode de fonctionnement.

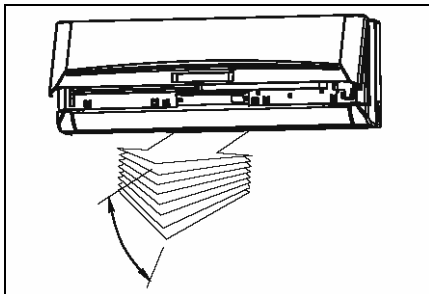
Pour établir la direction du débit d'air vertical

Cette fonction doit être réalisée pendant le fonctionnement de l'unité.

Maintenir la touche AIR DIRECTION appuyée sur la télécommande pour diriger le déflecteur dans la direction souhaitée.

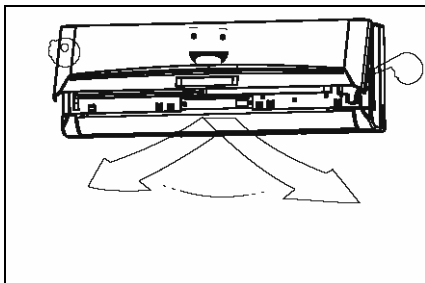


- Réglez le débit d'air vertical dans la direction souhaitée.
- Lors de la mise en marche suivante, le débit d'air vertical sera automatiquement réglé dans la direction sur laquelle vous avez réglé le déflecteur en appuyant sur la touche AIR DIRECTION.



Pour établir la direction du débit d'air horizontal (gauche – droit)

Réglez manuellement le débit d'air vertical à l'aide du levier situé à gauche ou à droite du bras du déflecteur vertical (en fonction du modèle). Veillez à ne pas mettre les doigts dans le ventilateur ou dans le déflecteur horizontal et à ne pas abîmer le déflecteur vertical. Quand le climatiseur est en marche et que le déflecteur horizontal est dans une position spécifique, actionnez le levier côté gauche ou droit (selon le modèle) pour atteindre la position souhaitée.



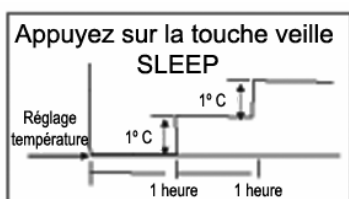
Pour établir une fluctuation automatique du débit d'air (haut – bas)

Cette fonction doit être réalisée lorsque l'unité est en marche.

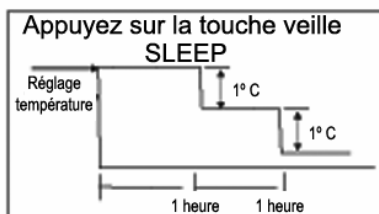
- Appuyez sur la touche SWING de la télécommande.
- Pour arrêter cette fonction, appuyez à nouveau sur la même touche. Appuyez sur la touche AIR DIRECTION pour bloquer le déflecteur dans la direction souhaitée.

- Les touches AIR DIRECTION et SWING sont désactivées quand le climatiseur est mis hors service (même si le programmateur TIMER ON est activé).
- Ne pas faire fonctionner le climatiseur longtemps alors que la direction du débit d'air est réglée vers le bas en mode froid ou sec. Cela pourrait provoquer une condensation au niveau de la surface du déflecteur horizontal, et des gouttes d'eau pourraient tomber sur le mobilier ou par terre.
- Ne pas actionner manuellement le déflecteur horizontal. Utilisez toujours les touches AIR DIRECTION ou SWING. Si vous réglez ce déflecteur à la main, il ne fonctionnera pas correctement. Si le déflecteur ne fonctionne pas bien, éteignez l'appareil et remettez-le en marche.
- Si vous redémarrez immédiatement le climatiseur après l'avoir éteint, le déflecteur horizontal mettra environ 10 secondes à bouger.
- L'angle d'ouverture du déflecteur horizontal ne devrait pas être trop faible car un débit d'air trop restreint peut diminuer les performances de refroidissement ou de chauffe.
- Ne pas mettre l'appareil en service si la grille horizontale est fermée.
- Quand le climatiseur est connecté à l'alimentation (connexion initiale), le déflecteur horizontal émet un bruit pendant 10 secondes, ce qui est parfaitement normal.

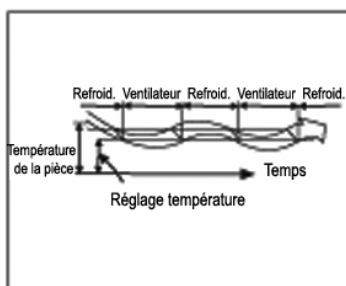
COMMENT FONCTIONNE LE CLIMATISEUR



Refroidissement



Chauffage



Mode DÉSHUMIDIFICATION

FONCTIONNEMENT AUTOMATIQUE

- Quand votre climatiseur est réglé sur mode AUTO, il sélectionne automatiquement le mode refroidissement, chauffage (seulement sur les modèles réversibles), ou ventilation seule, en fonction de la température choisie et de la température de la pièce.
- Le climatiseur contrôlera automatiquement que la température de la pièce coïncide avec la température que vous avez sélectionnée.
- Si le mode AUTO ne vous semble plus confortable, vous pouvez choisir les conditions souhaitées manuellement.

ÉTAT DE VEILLE

Quand vous appuyez sur la touche SLEEP (VEILLE) pendant le refroidissement, le chauffage (seulement sur les modèles réversibles), ou le fonctionnement AUTO, le climatiseur augmente (refroidissement) ou baisse (chauffage) automatiquement la température de fonctionnement de 1° par heure. Après deux heures, la température se stabilise. La vitesse du ventilateur est contrôlée automatiquement.

Remarque : L'appareil s'éteint automatiquement après 7 heures de fonctionnement en mode SLEEP (veille).

FONCTIONNEMENT DE LA DÉSHUMIDIFICATION

- Le mode déshumidification est automatiquement sélectionné en fonction de la différence entre la température établie et la température réelle de la pièce.
- La température est réglée pendant la déshumidification grâce à une alternance de mise en service / hors service de du fonctionnement en refroidissement ou en ventilateur seul. La vitesse du ventilateur est LOW (faible).

Télécommande

Spécifications de la télécommande

Modèle	R51D/E, R51D/CE
Tension nominale	3,0 V (Piles alcalines LR03 X 2)
Tension minimale CPU	2,0 V
Émission du signal	
Distance de fonctionnement – Portée du signal	8 m (sous tension de 3,0 V elle atteint 11 m).
Environnement	-5 °C ~ 60 °C

Introduction aux touches de fonctions de la télécommande

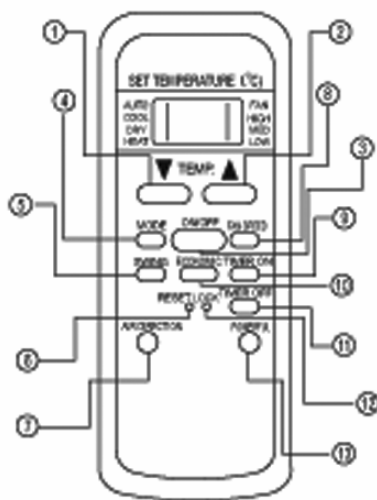


Fig. 1

SET TEMPERATURE (°C)	(réglage température)
AUTO	(automatique)
FAN	(ventilateur)
COOL	(refroidissement)
HIGH	(fort)
DRY	(déshumidification)
MED	(moyen)
HEAT	(chauffe)
LOW	(faible)
▼ TEMP. ▲	augmenter o baisser température
MODE	(mode)
ON/OFF	(marche / arrêt)
FAN SPEED	(vitesse du ventilateur)
SWING	(fluctuation)
ECONOMIC	(économique)
TIMER ON	(programmeur de mise en marche)
RESET	(remise au point)
LOCK	(blocage)
TIMER OFF	(programmeur d'arrêt)
AIR DIRECTION	(direction de l'air)
POWERFUL	(puissance)

- Touche TEMP ▼** : Appuyez sur la touche pour baisser la température de réglage intérieure.
- Touche TEMP ▲** : Appuyez sur la touche pour augmenter la température de réglage intérieure.
- Touche ON/OFF** : Appuyez sur cette touche pour mettre l'appareil en marche. Appuyez à nouveau sur cette touche pour éteindre l'appareil.
- Touche de sélection de MODE** : Chaque fois que vous appuyez sur cette touche, un mode de fonctionnement différent est sélectionné d'après la séquence suivante:
 → AUTO → COOL → DRY → HEAT → FAN →

▲ REMARQUE : Les modèles FROID SEUL n'ont pas de mode chauffage HEAT.

- Touche SWING** : Si vous appuyez sur cette touche, le déflecteur changera de haut en bas automatiquement. Pour l'arrêter, appuyez à nouveau sur la touche.
- Touche RESET** : Quand vous appuyez sur la touche RESET, tous les réglages effectués s'annulent et la commande retourne aux réglages initiaux (utilisez un bâtonnet d'1 mm pour appuyer sur cette touche).
- Touche AIR DIRECTION** : Si vous appuyez sur cette touche, le déflecteur se dirigera vers l'angle souhaité. Le déflecteur se dirige vers un certain angle (vers le haut ou vers le bas) à chaque fois que vous appuyez sur cette touche. Si le déflecteur se dirige vers une position pouvant diminuer les performances de refroidissement ou de chauffe du climatiseur, il change automatiquement de position (vers le haut ou vers le bas).
- Touche SPEED** : Cette touche sert à régler la vitesse du ventilateur dans la séquence allant de AUTO, LOW, MED à HIGH et retour à AUTO.
- Touche TIMER ON** : Appuyez sur cette touche pour programmer l'heure de démarrage. Chaque fois que vous appuyez sur la touche, l'heure programmée avance de 30 minutes. Quand l'heure

- de programmation est affichée à 10:00, chaque fois que vous appuyez sur la touche elle avance de 60 minutes. Pour annuler le programme, réglez le programmateur sur 0:00.
10. **Touche ECONOMIC** : Cette touche permet d'établir un fonctionnement en mode économique pour économiser de l'énergie. Pour annuler cette fonction, appuyez à nouveau sur cette touche.
 11. **Touche TIMER OFF** : Appuyez sur cette touche pour programmer l'heure d'arrêt. Chaque fois que vous appuyez sur la touche, l'heure programmée avance de 30 minutes. Quand l'heure d'arrêt est affichée à 10:00, chaque fois que vous appuyez sur la touche elle avance de 60 minutes. Pour annuler le programme, réglez le programmateur sur 0:00.
 12. **Touche LOCK** : Appuyez sur cette touche pour fixer tous les réglages que vous venez de faire. Pour débloquer les réglages, appuyez à nouveau sur cette touche. (Utilisez un bâtonnet d'1 mm pour appuyer sur cette touche).
 13. **Touche POWERFUL** : Appuyez sur cette touche pour augmenter la puissance de refroidissement (ou de chauffe). Pour arrêter ce mode de fonctionnement, appuyez à nouveau sur cette touche.

Remarque : L'appareil se remettra automatiquement à fonctionner comme précédemment en cas d'utilisation prolongée de cette fonction.

Noms et fonctions des voyants de la télécommande

Écran d'affichage des voyants

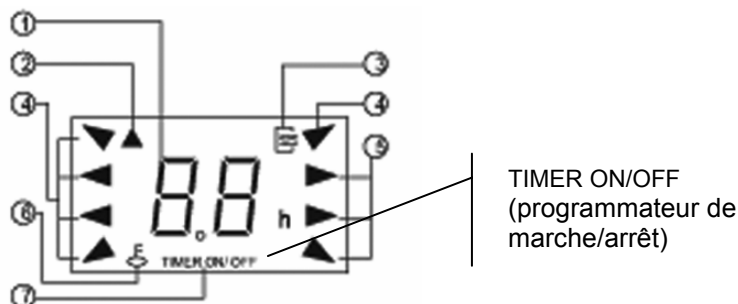


Fig. 2

1. **AFFICHAGE DIGITAL** : La température est affichée, ainsi que les réglages du programmateur si ce dernier est activé. Il reviendra automatiquement à son affichage initial pour montrer la température après 5 secondes. Sous mode de fonctionnement **FAN**, rien n'est affiché.
2. **Voyant TRANSMISSION** : Ce voyant clignote une fois quand la télécommande envoie un signal à l'unité intérieure.
3. **Voyant ON/OFF**: Ce symbole apparaît quand l'unité est allumée à l'aide de la télécommande, et disparaît quand l'appareil est éteint.
4. **Voyant MODE DE FONCTIONNEMENT** : Affiche le mode de fonctionnement à ce moment-là : "AUTO", "COOL", "DRY", "HEAT" et "FAN". HEAT (chauffe) n'est disponible que sur les modèles réversibles équipés de pompe à chaleur.
5. **Voyant VITESSE DE VENTILATION** : Appuyez sur la touche FAN SPEED pour choisir la vitesse souhaitée du ventilateur (Auto-Low-Med-High). Votre sélection s'affiche numériquement sur l'écran LCD, sauf en position automatique.
6. **Voyant BLOCAGE** : Ce symbole s'affiche quand la touche LOCK est activée, et s'éteint quand elle est désactivée (appuyez à nouveau sur la touche pour débloquer).
7. **Voyant TIMER ON/OFF**: Ce voyant indique le statut du programmateur. Si l'heure de démarrage est programmée, TIMER ON s'affiche. Seulement si l'heure d'arrêt est programmée, TIMER OFF s'affiche. Si les deux fonctions sont programmées (démarrage et arrêt), alors TIMER ON/OFF s'affiche, indiquant que vous avez sélectionné ces deux options.

REMARQUE: *Tous les signes de la figure 2 ont pour but d'éclaircir la présentation. Mais pendant le fonctionnement réel, seuls les items fonctionnels sont affichés sur l'écran digital.*

Fonctionnement de la télécommande



Mise en place des piles

La télécommande utilise deux piles sèches alcalines (LR03X2).

1. Pour mettre les piles en place, faites glisser le couvercle du compartiment des piles et installez les piles en respectant la polarité (+ et -) indiquée sur la télécommande.
2. Faites de même pour remplacer les piles usagées.



FONCTIONNEMENT AUTOMATIQUE

Quand le climatiseur est prêt à l'emploi, l'allumer et le voyant de FONCTIONNEMENT sur l'écran d'affichage commence à clignoter.

1. Utilisez la touche MODE pour sélectionner AUTO.
2. Appuyez sur la touche TEMP pour régler le thermostat à la température souhaitée. Les températures les plus confortables sont comprises entre 21°C et 28°C.
3. Appuyez sur la touche ON/OFF pour mettre l'appareil en marche. Le voyant FONCTIONNEMENT sur l'écran d'affichage de l'unité intérieure s'allume. Le mode de fonctionnement AUTO FAN SPEED est automatiquement sélectionné, sans afficher de voyant sur l'écran d'affichage de la télécommande.
4. Appuyez à nouveau sur la touche ON/OFF pour éteindre l'appareil.



REMARQUE

1. *En mode AUTO, le climatiseur peut logiquement sélectionner les modes COOL, FAN, HEAT et DRY (refroidissement, ventilation, chauffe et déshumidification) en captant la différence entre la température ambiante de la pièce et la température du thermostat choisie sur la télécommande.*
2. *Si le mode AUTO ne vous semble plus confortable, vous pouvez choisir les conditions souhaitées manuellement.*



Modes COOL/ HEAT (modèle réversibles seulement) et mode FAN ONLY

1. Si le mode AUTO ne vous paraît pas confortable, vous pouvez passer manuellement aux modes COOL, HEAT ou FAN ONLY (refroidissement, chauffe ou ventilation seule).
2. Appuyez sur la touche TEMP pour régler le thermostat à la température souhaitée. En mode COOL, les réglages les plus confortables sont 21°C ou plus. En mode HEAT, les réglages les plus confortables sont 28°C ou moins.
3. Appuyez sur FAN SPEED (vitesse de ventilation) pour choisir le mode ventilation souhaité: AUTO, HIGH, MED ou LOW (auto, élevé, moyen ou faible).
4. Appuyez sur la touche ON/OFF, le voyant de fonctionnement s'allume et le climatiseur commence à fonctionner selon vos réglages. Appuyez à nouveau sur la touche ON/OFF pour éteindre l'appareil.



REMARQUE

Le mode FAN ONLY ne permet pas de contrôler la température. Dans ce cas, seuls les stades 1, 3 et 4 sont possibles.



Mode DÉSHUMIDIFICATION

1. Utilisez la touche MODE pour sélectionner DRY.
2. Appuyez sur la touche TEMP pour régler le thermostat à la température souhaitée entre 21°C et 28°C.
3. Appuyez sur la touche ON/OFF, le voyant de fonctionnement s'allume et le climatiseur commence à fonctionner en mode DRY (déshumidification). La vitesse de ventilation est faible. Appuyez à nouveau sur la touche ON/OFF pour éteindre l'appareil.



REMARQUE

En fonction de la différence entre la température du thermostat de l'unité intérieure et la température ambiante, le climatiseur en mode DRY fonctionnera longtemps automatiquement sans activer les modes COOL et FAN.



Fonctionnement PROGRAMMATION

La touche TIMER ON permet de programmer la mise en marche de l'appareil. La touche TIMER OFF permet de programmer la mise hors circuit de l'appareil.

1. Pour établir l'heure de mise en marche.

- 1.1 Appuyez sur la touche TIMER ON, le voyant s'allume sur la télécommande, et l'heure programmée la dernière fois est affichée à côté du signe "h" sur l'écran digital. Vous pouvez maintenant établir une heure de démarrage de l'appareil.
- 1.2 Appuyez à nouveau sur la touche TIMER ON pour établir l'heure souhaitée.
- 1.3 La télécommande met une demi-seconde pour transmettre le signal au climatiseur. Puis, après environ 2 secondes, le signe "h" disparaît faisant place à l'affichage de la température choisie.

2. Pour établir l'heure de mise hors service.

- 2.1 Appuyez sur la touche TIMER OFF, le voyant s'allume sur la télécommande, et l'heure d'arrêt programmée la dernière fois est affichée à côté du signe "h" sur l'écran digital. Vous pouvez maintenant établir une heure d'arrêt de l'appareil.
- 2.2 Appuyez à nouveau sur la touche TIMER OFF pour établir l'heure à laquelle vous souhaitez que l'appareil s'arrête.
- 2.3 La télécommande met une demi-seconde pour transmettre le signal au climatiseur. Puis, après environ 2 secondes, le signe "h" disparaît faisant place à l'affichage de la température choisie.

3. Pour établir l'heure de mise en marche / arrêt.

- 3.1 Appuyez sur la touche TIMER ON, le voyant s'allume sur la télécommande, et l'heure programmée la dernière fois est affichée à côté du signe "h" sur l'écran digital. Vous pouvez maintenant établir une heure de démarrage de l'appareil.
- 3.2 Appuyez à nouveau sur la touche TIMER ON pour établir l'heure à laquelle vous souhaitez que l'appareil se mette en marche.
- 3.3 Appuyez sur la touche TIMER OFF, le voyant s'allume sur la télécommande, et l'heure d'arrêt programmée la dernière fois est affichée à côté du signe "h" sur l'écran digital. Vous pouvez maintenant établir une heure d'arrêt de l'appareil.
- 3.4 Appuyez à nouveau sur la touche TIMER OFF pour établir l'heure à laquelle vous souhaitez que l'appareil s'arrête.
- 3.5 La télécommande met une demi-seconde pour transmettre le signal au climatiseur. Puis, après environ 2 secondes, l'affichage de la température choisie réapparaît sur l'écran digital.

Modification du PROGRAMMATEUR

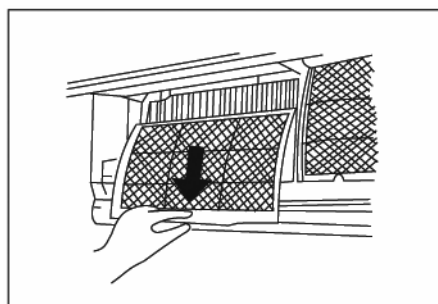
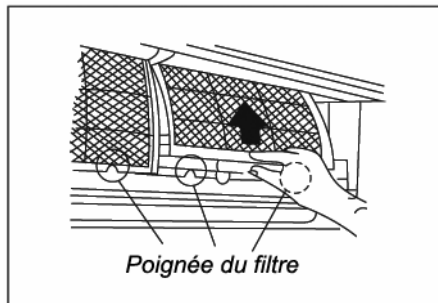
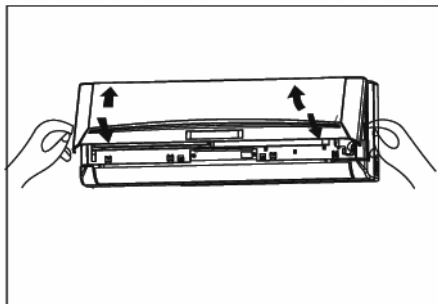
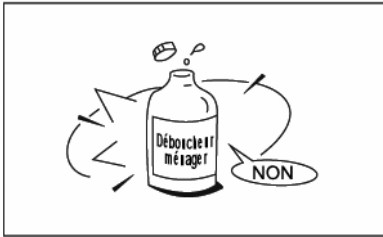
Pour modifier l'heure de démarrage/arrêt de l'appareil, il suffit d'appuyer sur le bouton TIMER correspondant et rétablir l'heure.

REMARQUE

L'heure programmée est relative : elle dépend de l'heure actuelle.

DANGER

1. Assurez-vous qu'aucun obstacle ne vient perturber le fonctionnement du climatiseur entre celui-ci et la télécommande.
2. La télécommande ne doit entrer en contact avec aucun liquide.
3. Protégez la télécommande des températures élevées et des rayonnements.
4. Maintenez le récepteur intérieur à l'abri de la lumière solaire ou le climatiseur pourrait ne plus fonctionner.
5. Maintenez la télécommande à l'abri des Interférences électromagnétiques (EMI) émises par d'autres appareils électroménagers.
6. Quand vous changez les piles, n'utilisez pas de vieilles piles ou des piles d'un type différent. Cela pourrait provoquer un dysfonctionnement de la télécommande.
7. Si vous n'allez pas utiliser la télécommande pendant plusieurs semaines, enlevez les piles. Une fuite au niveau des piles pourrait endommager la télécommande.
8. La durée de vie d'une pile dans des conditions normales de fonctionnement est d'environ 6 mois.
9. Changez les piles en cas d'absence de réponse de l'unité intérieure ou si le voyant de transmission ne s'allume pas.

ENTRETIEN**⚠ ATTENTION**

Il est nécessaire d'éteindre le climatiseur et de le débrancher avant le nettoyage.

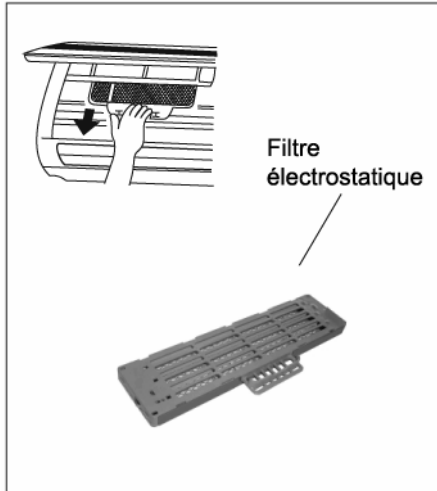
Nettoyage de l'unité intérieure et de la télécommande**⚠ PRÉCAUTIONS**

- Utilisez un chiffon sec pour nettoyer l'unité intérieure et la télécommande.
- Un chiffon humidifié à l'eau froide peut éventuellement être utilisé pour nettoyer l'extérieur de l'unité si elle est très sale.
- Le panneau frontal de l'unité intérieure peut être démonté et lavé à l'eau. Essuyez-le ensuite avec un chiffon sec.
- N'utilisez pas de chiffon traité chimiquement pour nettoyer l'unité.
- N'utilisez ni benzène, solvant, poudre à polir ou dissolvant similaire pour le nettoyage. Cela pourrait craqueler ou déformer la surface en plastique.

Nettoyage du filtre à air

Un filtre à air bouché réduit l'efficacité de cette unité. Veuillez nettoyer les filtres toutes les deux semaines.

1. Ouvrez le panneau de l'unité intérieure et soulevez-le jusqu'à un angle où il fera click pour le fixer.
2. Agrippez le filtre par sa poignée et soulevez-le légèrement pour le dégager de son support, retirez-le ensuite.
3. Enlevez le **FILTRE À AIR** de l'unité intérieure
 - Nettoyez ce filtre toutes les deux semaines
 - Nettoyez le filtre à air avec un aspirateur ou sous l'eau, puis laissez-le sécher dans un endroit frais.



- Retirez le filtre électrostatique de son support, tel qu'indiqué sur la figure de gauche (n'est pas applicable aux unités sans filtre électrostatique).

⚠ Ne touchez pas ce filtre électrostatique pendant 10 minutes après avoir ouvert la grille d'admission, cela pourrait causer une décharge électrique.

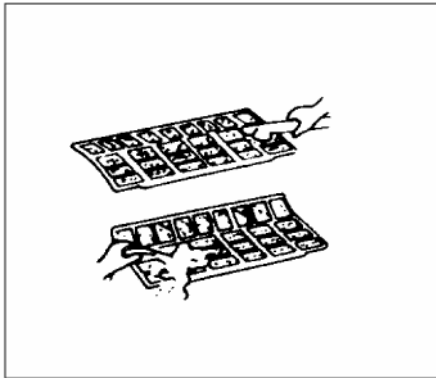
- Nettoyez le filtre électrostatique avec un détergent neutre ou à l'eau et le laisser sécher au soleil pendant deux heures.
- Avant de réinstaller le filtre électrostatique, vérifiez que sa couronne et son support sont en bon état.

- Posez le filtre rafraîchisseur à nouveau à sa place.
- Insérez la partie supérieure du filtre à air dans l'unité en faisant attention à ce que les arêtes gauches et droites soient correctement alignées, et positionnez le filtre.

Entretien

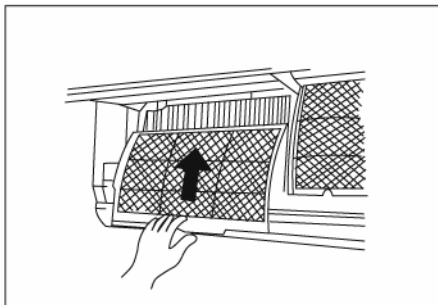
Si l'unité ne va pas être mise en marche pendant un certain temps, veuillez prendre les précautions suivantes:

- Faire fonctionner le ventilateur pendant une demi-journée pour bien sécher l'intérieure de l'unité.
- Éteignez le climatiseur et débranchez-le. Enlevez les piles de la télécommande.
- L'unité extérieure nécessite un entretien et un nettoyage régulier. N'essayez pas de le faire vous-même. Contactez votre distributeur ou service d'entretien.



Vérification avant la mise en marche

- Vérifiez que le câblage n'est pas endommagé ou déconnecté.
- Vérifiez que le filtre à air est bien en place.
- Vérifiez si la décharge et l'admission d'air sont bloqués après une longue période d'inutilisation.



⚠ PRÉCAUTIONS

- Ne touchez pas les parties métalliques de l'appareil lors du retrait du filtre. La manipulation d'arêtes de métal agressives peut causer des blessures.
- Ne pas laver l'intérieur du climatiseur à l'eau. L'exposition à l'eau peut détruire les isolants et provoquer une décharge électrique.
- Coupez l'alimentation électrique via le disjoncteur et le cordon d'alimentation lors du nettoyage de l'appareil.

CONSEILS D'UTILISATION

Les circonstances suivantes peuvent se produire pendant le fonctionnement normal.

1. Protection du climatiseur.

Protection du compresseur

- Le compresseur met 3 minutes à redémarrer après un arrêt.

Protection contre l'air froid (seulement sur les modèles réversibles)

- L'unité est conçue pour ne pas décharger d'air froid en mode chauffage quand l'échangeur de chaleur intérieur est dans une des trois situations suivantes et que la température de thermostat n'a pas été atteinte:
 - A) Au tout début de la mise en marche.
 - B) Pendant le dégivrage
 - C) Si la température de chauffage est basse.
- Pendant le dégivrage, les ventilateurs intérieur et extérieur s'arrêtent (seulement sur les modèles réversibles). Dégivrage (seulement sur les modèles réversibles)
- Du givre peut se former sur l'unité extérieure pendant le cycle de chauffe quand la température extérieure descend et que l'humidité augmente, réduisant les performances de chauffage de l'appareil.
- Dans ces conditions de fonctionnement, le climatiseur arrêtera de chauffer et commencera un cycle automatique de dégivrage.
- La durée de ce cycle varie entre 4 et 10 min, en fonction de la température extérieure et de la quantité de givre qui s'est formé sur l'unité extérieure.

2. L'unité intérieure émet une buée blanche

- Une buée blanche peut se former à cause d'une grande différence de température entre l'air admis et l'air déchargé en mode COOL (refroidissement) dans un environnement intérieur relativement humide.
- Une buée blanche due à l'humidité peut se produire après un cycle de dégivrage quand le climatiseur redémarre en mode HEAT (chauffage).

3. Bruit faible du climatiseur.

- Vous pouvez entendre un léger sifflement quand le compresseur est en marche ou vient de s'arrêter. Ce son est produit par le flux ou l'arrêt de frigorigène.
- Vous pouvez également entendre un léger grincement quand le compresseur est en marche ou vient de s'arrêter. Ce grincement est causé par la dilatation due à la chaleur et la contraction due au froid des pièces en plastique de l'unité quand la température varie.
- Quand les déflecteurs se remettent à leur position initiale au moment de l'allumage, un léger bruit se produit.

4. L'unité intérieure émet de la poussière

Ceci est normal après une longue période d'inutilisation du climatiseur, ou après sa première mise en marche.

5. L'unité intérieure émet une odeur particulière

Cette odeur est due au passage d'odeurs de matériaux de construction, de mobilier ou de fumée au travers de l'unité intérieure.

6. Le climatiseur se met en mode FAN ONLY (ventilation seule) depuis les modes COOL (refroidissement) ou HEAT (chauffage) (seulement sur les modèles réversibles)

Quand la température intérieure atteint la température du thermostat, le compresseur s'arrête automatiquement, et le climatiseur fonctionne en mode ventilation. Si la température intérieure augmente en mode froid, ou qu'elle descend en mode chauffe, par rapport au thermostat, alors le compresseur se remet en marche (seulement sur les modèles réversibles).



7. De l'eau peut apparaître sur la surface de l'unité intérieure en mode froid si l'humidité relative est importante (supérieure à 80%). Réglez le déflecteur horizontal au maximum de la décharge et sélectionnez HIGH pour la vitesse de ventilation.

8. Mode chauffage (seulement sur les modèles réversibles)

En mode chauffage, le climatiseur conduit de l'air chaud depuis l'unité extérieure et le libère vers l'unité intérieure. Quand la température extérieure descend, la chaleur de l'air admis par le climatiseur descend également. En même temps, la charge calorifique du climatiseur augmente à cause de la grande différence entre les températures extérieure et intérieure. Si vous ne parvenez pas à atteindre une température confortable avec votre climatiseur, nous vous conseillons d'utiliser un dispositif de chauffage supplémentaire.

9. Fonction de redémarrage automatique

Une coupure de courant pendant le fonctionnement va éteindre le climatiseur.

Sur les modèles sans dispositif de redémarrage automatique, quand le courant est rétabli, le voyant de FONCTIONNEMENT de l'unité intérieure commence à clignoter. Pour remettre l'appareil en marche, appuyez sur la touche ON/OFF de la télécommande. Sur les modèles munis d'un dispositif de redémarrage automatique, quand le courant est rétabli, l'appareil se remet en marche automatiquement avec les paramètres de réglage établis auparavant.

10. Les éclairs ou l'utilisation d'un téléphone portable à proximité de l'appareil peut provoquer son dysfonctionnement. Débranchez puis rebranchez alors l'appareil. Pour le remettre en marche, utilisez sur la touche ON/OFF de la télécommande.

Conseils de dépannage

Dysfonctionnements et solutions

En cas de dysfonctionnement, mettez immédiatement l'appareil hors tension. Coupez l'alimentation électrique et contactez le service clientèle le plus proche.

Problème	Le voyant de fonctionnement, ou tout autre voyant, se met à clignoter rapidement (5 fois/seconde) et malgré le débranchement et rebranchement de l'appareil, il continue à clignoter.
	Les fusibles ou le disjoncteur sautent souvent.
	De l'eau ou un autre corps étranger pénètrent dans le climatiseur.
	La télécommande ne fonctionne pas ou son fonctionnement est anormal.
	Autre situation anormale.

Symptôme	Cause	Qu'est-ce qu'il faut faire?
L'appareil ne s'allume pas	Coupure électrique	Attendre le rétablissement du courant
	L'appareil est peut-être débranché	Vérifier que la prise est correctement branchée
	Le fusible a peut-être sauté	Remplacer le fusible
	Les piles de la télécommande sont peut-être mortes	Remplacer les piles
	La programmation est incorrecte	Attendre ou annuler la programmation
Mauvaises performances de refroidissement ou de chauffage (seulement sur les modèles réversibles) tandis que l'air est déchargé.	Température non appropriée du thermostat.	Régler correctement la température
	Le filtre à air est bouché	Nettoyer le filtre à air
	Des portes ou des fenêtres sont ouvertes	Fermer les portes ou les fenêtres
	Les orifices d'admission ou de décharge des unités sont bloqués	Enlever ce qui obstrue les orifices avant de redémarrer l'appareil
	Les 3 minutes de protection du compresseur sont activées.	Attendre

Si les problèmes subsistent, veuillez contacter un distributeur local ou le service de dépannage le plus proche. Assurez-vous que donner des indications précises concernant le type de panne et le modèle de l'appareil.

Remarque : **N'essayez pas de réparer le climatiseur vous-même.**
Consultez toujours un service de dépannage agréé.



DEUTSCH

INHALT

WARNHINWEISE	1
BEZEICHNUNG DER BAUTEILE	4
MANUELLER BETRIEB	5
OPTIMALER BETRIEB	5
GEBLÄSE-AUSRICHTUNG	6
FUNKTIONEN	7
TECHNISCHE DATEN DER FERNBEDIENUNG	8
FUNKTIONSTASTEN DER FERNBEDIENUNG	8
ANZEIGE DER FERNBEDIENUNG	9
BETRIEB MIT FERNBEDIENUNG	10
WARTUNG	12
NUTZUNGSHINWEISE	14
FEHLERBEHEBUNG	16

Bedienungsanleitung

Bitte lesen Sie diese Bedienungsanleitung sorgfältig durch, denn sie enthält wichtige praktische Hinweise zu Betrieb und Pflege der Klimaanlage. Mit kleinen präventiven Wartungsarbeiten können Sie viel Zeit und Geld sparen und zu einer langen Lebensdauer des Geräts beitragen. Die Bedienungsanleitung enthält ferner Tipps zur Fehlerbehebung (siehe die entsprechende Tabelle im gleichnamigen Kapitel). Wir empfehlen Ihnen, diese Tabelle durchzugehen, bevor Sie den technischen Kundendienst verständigen. Möglicherweise können Sie sich so einen Anruf ersparen.

WICHTIGE HINWEISE

- Reparaturen und Wartungsarbeiten an der Klimaanlage dürfen nur von autorisierten Technikern durchgeführt werden. Die Installation muss von einem sachverständigen Fachmann vorgenommen werden.
- Die Klimaanlage darf nicht ohne Aufsicht von Kindern oder behinderten Personen genutzt werden.
- Achten Sie darauf, dass keine Kinder an bzw. mit der Anlagen spielen.
- Das Netzkabel der Klimaanlage darf nur durch geprüftes Fachpersonal ausgetauscht werden.
- Bei der Installation der Anlage sind die jeweils gültigen nationalen Vorschriften zu beachten. Die Installation darf nur von geprüftem Fachpersonal durchgeführt werden.

Warnhinweise

Bitte beachten Sie die nachstehenden Warnhinweise, da andernfalls die Gefahr von Körperverletzungen für den Bediener und dritte Personen bzw. die Gefahr von Sachschäden besteht.

Bei Nichtbeachtung dieser Hinweise besteht die Gefahr der Beschädigung der Klimaanlage bzw. die Gefahr von Körperverletzungen und Sachschäden. Die nachstehenden Symbole verdeutlichen die einzelnen Gefahrengrade.

WARNUNG	Lebensgefahr oder Gefahr schwerer Körperverletzungen
ACHTUNG	Gefahr von Körperverletzungen und Sachschäden

- Nachfolgend finden Sie die Erläuterungen zu den einzelnen, in der vorliegenden Bedienungsanleitung verwendeten Symbole.

	Diese Handlungen sind verboten.
	Diese Handlungen sind stets durchzuführen.

WARNUNG

Schließen Sie die Anlage ordnungsgemäß an das Stromversorgungsnetz an.

- Andernfalls kann es zu Stromschlägen oder zur Entstehung von Feuer auf Grund übermäßiger Hitze kommen.

Benutzen Sie niemals Verlängerungskabel und schließen Sie den Netzstecker niemals an Mehrfachsteckdosen an, die bereits mit anderen Geräten belegt sind.

- Andernfalls kann es zu Stromschlägen oder zur Entstehung von Feuer auf Grund übermäßiger Hitze kommen.

Vergewissern Sie sich, dass der Anschluss ordnungsgemäß geerdet ist.

- Bei fehlender Erdung besteht die Gefahr von Stromschlägen.

Ziehen Sie die Anlage vom Netz ab, wenn Sie ungewöhnliche Geräusche, Gerüche oder Rauch wahrnehmen.

- Andernfalls besteht die Gefahr von Feuer oder Stromschlägen.

Stellen Sie keine Schusswaffen in der Nähe der Klimaanlage ab.

- Es besteht Feuergefahr.

Falls Gase von anderen Haushaltsgeräten austreten, lüften Sie alle Räume, bevor Sie die Klimaanlage in Betrieb setzen.

- Andernfalls kann es zu Explosionen, Feuer und Verbrennungen kommen.

Achten Sie darauf, dass Sie das Netzkabel nicht beschädigen und verwenden Sie ausschließlich die empfohlenen Kabeltypen.

- Andernfalls kann es zu Stromschlägen oder zur Entstehung von Feuer auf Grund übermäßiger Hitze kommen.

Ziehen Sie niemals den Netzstecker, während die Anlage in Betrieb ist und stecken Sie den Netzstecker niemals in die Steckdose, um die Anlage in Betrieb zu setzen, ohne sie vorher ausgeschaltet zu haben.

- Andernfalls kann es zu Stromschlägen oder zur Entstehung von Feuer auf Grund übermäßiger Hitze kommen.

Schützen Sie die elektrischen Komponenten der Anlage vor dem Eintritt von Wasser.

- Bei Wassereintritt kann es zum Ausfall der Klimaanlage und zu Stromschlägen kommen.

Nehmen Sie die Anlage nicht in Betrieb, wenn der Netzanschluss gelockert oder beschädigt ist.

- Andernfalls besteht die Gefahr von Feuer oder Stromschlägen.

Achten Sie darauf, dass sich das Netzkabel nicht in der Nähe von Heizgeräten befindet.

- Andernfalls besteht die Gefahr von Feuer oder Stromschlägen.

Verwenden Sie das Netzkabel nicht in der Nähe von Brennstoffen oder entflammaren Gasen (z.B. Benzin, Benzol, Lösungsmittel, usw.).

- Andernfalls kann es zu elektrischen Schlägen oder zur Entstehung von Feuer kommen.

Richten Sie das Gebläse niemals direkt auf anwesende Personen.

- Dies könnte die Gesundheit der anwesenden Personen gefährden.

Verwenden Sie Leistungsschalter und schließen Sie die Anlage an einen separaten Stromkreis an.

- Andernfalls besteht die Gefahr von Feuer oder Stromschlägen.

Öffnen Sie die Anlage niemals, während sie in Betrieb ist.

- Andernfalls besteht die Gefahr von Stromschlägen.

Berühren Sie das Netzkabel und den Netzstecker niemals mit feuchten Händen und handhaben Sie Kabel und Stecker niemals in Räumen mit feuchtem Boden.

- Andernfalls besteht die Gefahr von Stromschlägen.

Versuchen Sie niemals, die Anlage zu demontieren oder baulich zu verändern.

- Andernfalls besteht die Gefahr von Stromschlägen und der Beschädigung der Anlage.

⚠ ACHTUNG

⊗ Achten Sie beim Austausch des Luftfilters darauf, dass Sie die Metallteile der Anlage nicht berühren.

- Andernfalls besteht Verletzungsgefahr.

⊗ Reinigen Sie die Anlage niemals mit Wasser.

- Es könnte Wasser eintreten und die Isolierung könnte beschädigt werden. Zudem besteht die Gefahr von Stromschlägen.

⊗ Lüften Sie die Räumlichkeiten gut durch, wenn Sie außer der Klimaanlage weitere Heizgeräte verwenden.

- Andernfalls könnte der Sauerstoffgehalt der Luft sinken.

⊗ Schalten Sie die Anlage und den Leistungsschalter aus, bevor Sie das Gerät reinigen.

- Andernfalls besteht die Gefahr von Feuer, Stromschlägen oder Körperverletzungen.

⊗ Richten Sie das Gebläse niemals direkt auf Tiere oder Pflanzen.

- Dies könnte sich schädigend für die Tiere und Pflanzen auswirken.

⊗ Verwenden Sie die Klimaanlage nicht zu anderen als den geeigneten Zwecken.

- Verwenden Sie die Klimaanlage nicht zur Aufbewahrung von Präzisionsgeräten, Nahrungsmitteln, Tieren, Pflanzen oder Kunstgegenständen.

Diese könnten beschädigt werden.

⊗ Schalten Sie die Anlage bei Sturm oder Hurrikan aus und schließen Sie die Fenster.

- Beim Betrieb der Anlage bei geöffneten Fenstern könnte Wasser in die Räumlichkeiten eintreten und die Einrichtungsgegenstände beschädigen.

⊗ Ziehen Sie den Netzstecker niemals am Kabel heraus, sondern greifen Sie direkt am Stecker zu.

- Andernfalls besteht die Gefahr von Stromschlägen und Sachschäden.

⊗ Trennen Sie die Klimaanlage von der Stromversorgung, wenn Sie sie über einen längeren Zeitraum nicht in Betrieb nehmen.

- Andernfalls könnte die Anlage beschädigt werden. Zudem besteht Feuergefahr.

⊗ Blockieren Sie niemals die Lufteintritts- und -austrittsöffnungen.

- Andernfalls kann das Gerät beschädigt werden. Außerdem besteht Unfallgefahr.

⊗ Vergewissern Sie sich, dass das Trägergestell der Außenanlage nicht durch länger währende Witterungseinflüsse beschädigt wurde.

- Ist das Gestell beschädigt, besteht die Gefahr, dass die Anlage zu Boden stürzt und dass Sachschäden entstehen.

⊗ Achten Sie stets auf einen festen Sitz der Filter. Reinigen Sie die Filter aller zwei Wochen.

- Bei einem Betrieb ohne Filter können Schäden an der Anlage auftreten.

⊗ Verwenden Sie keine aggressiven Reinigungsmittel wie Reinigungswachs oder Lösungsmittel. Verwenden Sie ein weiches Tuch.

- Andernfalls könnten Verfärbungen und Kratzer auf den Oberflächen der Anlage entstehen.

⊗ Legen Sie keine schweren Gegenstände auf dem Netzkabel ab und achten Sie darauf, dass das Kabel nicht zerquetscht wird.

- Andernfalls besteht die Gefahr von Feuer oder Stromschlägen..

⊗ Nehmen Sie niemals aus der Anlage austretendes Kühlwasser zu sich.

- Das Kühlwasser enthält Schadstoffe, die zum Auftreten von Krankheiten führen.

⊗ Gehen Sie beim Auspacken und bei der Installation vorsichtig vor. Die scharfen Kanten stellen eine Gefahrenquelle dar und es könnte zu Verletzungen kommen.

⊗ Schalten Sie die Anlage und den Leistungsschalter aus, falls Wasser in die Anlage eintritt. Ziehen Sie anschließend die Anlage vom Netz ab und verständigen Sie einen Fachmann.

Hinweise vor Inbetriebnahme

1. Lassen Sie die Klimaanlage nur von einem Fachmann installieren.
2. Vergewissern Sie sich, dass der Netzanschluss ordnungsgemäß geerdet ist.
3. Verwenden Sie niemals beschädigte oder nicht zugelassene Kabel.
4. Schließen Sie den Netzstecker niemals an Mehrfachsteckdosen an, die bereits mit anderen Geräten belegt sind.
5. Verwenden Sie keine Verlängerungskabel.
6. Ziehen Sie niemals den Netzstecker, während die Anlage in Betrieb ist und stecken Sie den Netzstecker niemals in die Steckdose, um die Anlage in Betrieb zu setzen, ohne sie vorher ausgeschaltet zu haben.

Betrieb

1. Setzen Sie sich niemals über einen längeren Zeitraum dem direkten Luftstrom aus, da dies gesundheitsschädliche Auswirkungen hat. Richten Sie das Gebläse niemals direkt auf andere Personen, Tiere oder Pflanzen.
2. Wenn Sie neben der Klimaanlage weitere Heizgeräte betreiben, sollten Sie die Räumlichkeiten gut durchlüften, um eine optimale Sauerstoffversorgung zu gewährleisten.
3. Verwenden Sie die Klimaanlage nicht für andere als die geeigneten Zwecke. (Die Klimaanlage ist beispielsweise nicht zur Aufbewahrung von Präzisionsgeräten, Nahrungsmitteln, Tieren, Pflanzen und Kunstgegenständen geeignet.) Gegenstände, die ursprünglich geschützt werden sollten, könnten hierdurch beschädigt werden.

Reinigung und Wartung

1. Vermeiden Sie eine Berührung der Metallteile beim Filteraustausch. Die scharfen Kanten stellen eine Gefahrenquelle dar und es könnte zu Verletzungen kommen.
2. Reinigen Sie die Anlage niemals mit Wasser. Beim Eintritt von Wasser in die Anlage könnte die Isolierung beschädigt werden. Außerdem besteht die Gefahr von Stromschlägen.
3. Vergewissern Sie sich, dass Leistungs- und Stromschalter ausgeschaltet sind, bevor Sie die Anlage reinigen.

Reparatur

Reparatur- und Wartungsarbeiten dürfen nur von autorisiertem Fachpersonal durchgeführt werden.

Betriebstemperatur

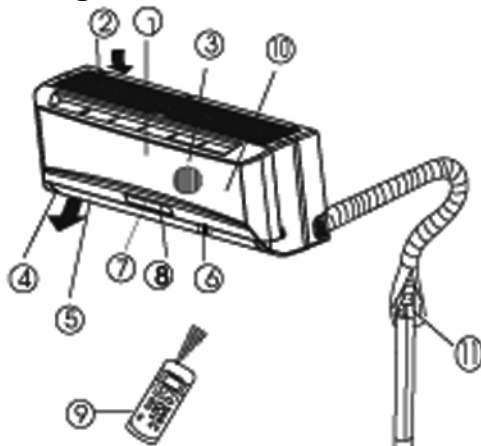
Temperatur \ Modus	Kühlung	Heizung	Trocknung
Umgebungstemperatur	17 °C ~ 32 °C	17 °C ~ 30 °C	17 °C ~ 32 °C
Außentemperatur	18 °C ~ 43 °C	-7 °C ~ 24 °C	18 °C ~ 43 °C

ATTENTION:

1. Bei Über- oder Unterschreiten der in der Tabelle angegebenen Temperaturen können bestimmte Sicherheitsfunktionen aktiviert werden. Der ordnungsgemäße Betrieb der Klimaanlage ist in diesem Falle nicht mehr gewährleistet.
2. Die Luftfeuchte darf 80 % nicht überschreiten, da es andernfalls zur Bildung von Kondenswasser auf der Gerätefläche kommt. Richten Sie das vertikale Lüftungsgitter direkt nach unten und stellen Sie den Lüfter auf die höchstmögliche Geschwindigkeit (HIGH) ein.
3. Bei Beachtung der in der Tabelle angegebenen Temperaturwerte ist ein optimaler Betrieb der Anlage gewährleistet.

BEZEICHNUNG DER BAUTEILE

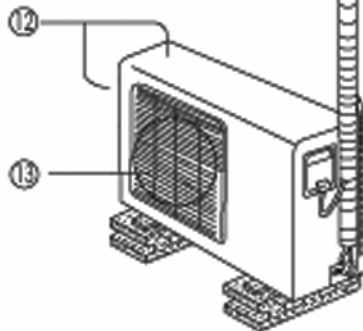
Innengerät



Innengerät

1. Vorderabdeckung
2. Lufteinlass
3. Luftfilter
4. Luftauslass
5. Horizontales Lüftungsgitter
6. Vertikales Lüftungsgitter
7. Anzeige
8. Signalempfänger (Fernsteuerung)
9. Fernbedienung
10. Steuerknopf (manuelle Einstellung)

Außengerät



Außengerät

11. Verbindungsrohr und Drainagerohr
12. Lufteinlass (seitlich und hinten)
13. Luftauslass

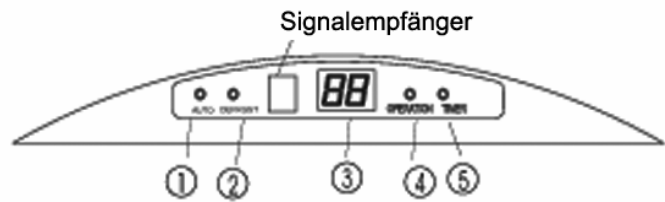
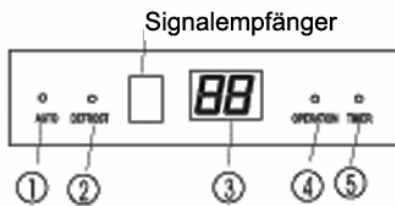
Beim Aktivierung der Sicherheitsfunktionen blinkt die Betriebsanzeige mehrmals hintereinander auf (fünf mal pro Sekunde).

Hinweis:

Die in der vorliegenden Bedienungsanleitung enthaltenen Abbildungen dienen zur Illustration der Bedienungshinweise. Die graphischen Darstellungen können von der erworbenen Klimaanlage abweichen, da nicht alle erhältlichen Modelle abgebildet werden können. Richten Sie sich in jedem Falle nach den Funktionen und Bedienelementen des von Ihnen erworbenen Geräts.

Funktionsanzeige des Innengeräts

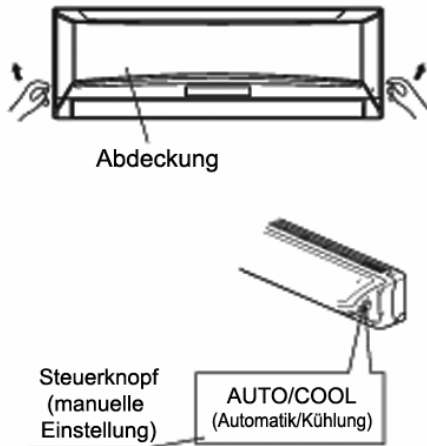
Bitte beachten Sie, dass die Funktionsanzeige des von Ihnen erworbenen Innengeräts von den hier enthaltenen Darstellungen abweichen kann.



1. **AUTO (Automatikbetrieb)**
Diese Anzeige leuchtet auf, wenn die Anlage im Automatikbetrieb läuft.
2. **DEFROST (Enteisungsfunktion) (nur bei Modellen mit kombinierter Kühl- und Heizfunktion)**
Diese Anzeige leuchtet auf, wenn die automatische Enteisungsfunktion oder die Heißluftregelung aktiviert wird (Heizmodus).
3. **TEMPERATUR**
Anzeige der eingestellten Temperatur bei Betrieb der Anlage.
4. **OPERATION (Betrieb)**
Diese Anzeige blinkt auf, wenn die Anlage an das Stromversorgungsnetz angeschlossen wird und schaltet sich ein, wenn die Anlage in Betrieb ist.
5. **TIMER (Zeitschaltung)**
Diese Anzeige leuchtet auf, wenn die Zeitschaltung aktiviert oder deaktiviert wird.

MANUELLER BETRIEB

Die Klimaanlage kann manuell geregelt werden (z.B. wenn Sie die Fernbedienung verlegt haben oder wenn die Batterien ausgetauscht werden müssen).



1. Heben Sie die Vorderabdeckung an und drücken Sie sie nach oben, bis sie einrastet.
2. Drücken Sie den manuellen Steuerknopf, um die Anlage auf Automatikbetrieb zu setzen.
3. Drücken Sie die Vorderabdeckung wieder in die ursprüngliche Position zurück.

ACHTUNG:

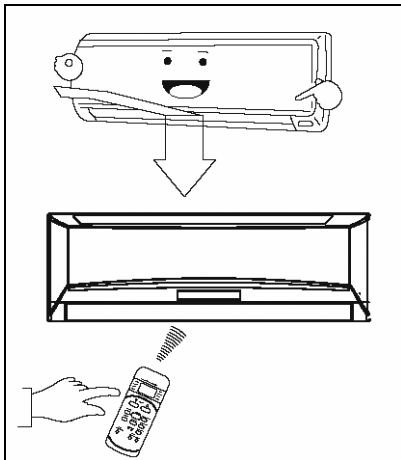
- Jedes Mal, wenn Sie den manuellen Steuerknopf drücken, wechselt automatisch der Betriebsmodus von AUTO nach COOL und OFF (Automatikbetrieb, Kühlung, AUS).
- Bei zweimaligem Drücken des Knopfes wird der Kühlungsmodus aktiviert. Dieser Modus sollte nur während des Probetriebs eingeschaltet werden.
- Bei nochmaligem Drücken des Knopfes wird die Klimaanlage ausgeschaltet.
- Nach diesen Einstellungen können Sie die Anlage problemlos wieder mit der Fernbedienung steuern, ohne zusätzliche Einstellungen vorzunehmen.

OPTIMALER BETRIEB

Zur Gewährleistung des optimalen Betriebs der Klimaanlage sollten Sie folgende Hinweise beachten:

- Stellen Sie das Gebläse so ein, dass der Luftstrom nicht direkt auf die anwesenden Personen gerichtet ist.
- Stellen Sie die Temperatur so ein, dass sich alle anwesenden Personen wohl fühlen. Vermeiden Sie Extremtemperaturen.
- Schließen Sie Türen und Fenster, wenn Sie die Anlage im Heiz- oder Kühlmodus betreiben, da andernfalls die Leistung der Anlage beeinträchtigt wird.
- Nutzen Sie die Taste TIMER ON der Fernbedienung (Einschalttaste der Zeitschaltung), um die Uhrzeit für die Aktivierung der Klimaanlage einzustellen.
- Blockieren Sie keinesfalls den Lufteinlass und den Luftauslass, da sonst die Leistung der Anlage (im Extremfall bis zum Ausfall) herabgesetzt wird.
- Reinigen Sie regelmäßig den Luftfilter, da andernfalls die Kühl- und Heizleistung der Klimaanlage gemindert wird.
- Achten Sie stets darauf, dass das horizontale Lüftungsgitter geöffnet ist, bevor Sie die Anlage in Betrieb nehmen.

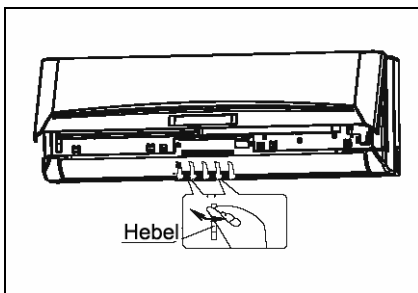
GEBLÄSE-AUSRICHTUNG



- Richten Sie das Gebläse so aus, dass sich alle anwesenden Personen wohl fühlen und dass eine gleichmäßige Raumtemperatur herrscht.
- Der Öffnungsgrad des horizontalen Lüftungsgitters kann über die Fernbedienung eingestellt werden.
- Das vertikale Lüftungsgitter kann manuell ausgerichtet werden.

Vertikaler Luftstrom (nach oben – nach unten)

Die Richtung des Luftstroms wird automatisch in Abhängigkeit vom gewählten Betriebsmodus eingestellt.

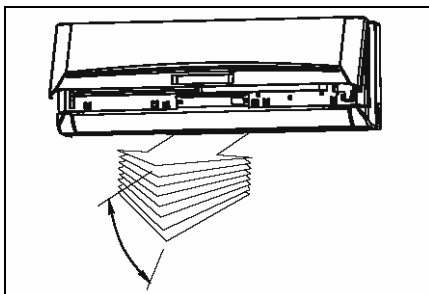


Regulierung des vertikalen Luftstroms

Zur Regulierung des vertikalen Luftstroms muss die Klimaanlage in Betrieb gesetzt werden.

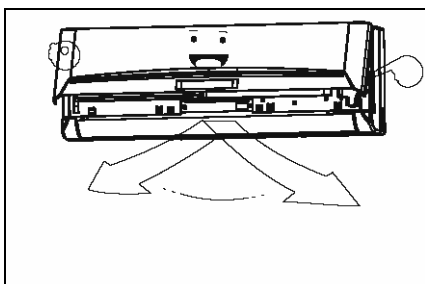
Halten Sie die Taste AIR DIRECTION der Fernbedienung (Lufrichtung) gedrückt, um den Öffnungsgrad des Lüftungsgitters einzustellen.

- Probieren Sie solange, bis der gewünschte Öffnungsgrad erreicht ist.
- Nachfolgend wird das Lüftungsgitter jedes Mal, wenn Sie die Taste AIR DIRECTION drücken, auf den eingestellten Öffnungsgrad gesetzt.



Horizontaler Luftstrom (nach links – nach rechts)

Stellen Sie den Öffnungsgrad des vertikalen Lüftungsgitters über den (je nach Modell) rechts bzw. links befindlichen Hebel ein. Achten Sie darauf, dass Sie dabei Ihre Finger nicht im Lüfter oder im horizontalen Lüftungsgitter einklemmen bzw. dass Sie das vertikale Lüftungsgitter nicht beschädigen. Schalten Sie die Anlage ein und belassen Sie das horizontale Lüftungsgitter in der eingestellten Position. Bewegen Sie den (je nach Modell) rechts bzw. links befindlichen Hebel, bis der gewünschte Öffnungsgrad erreicht ist.



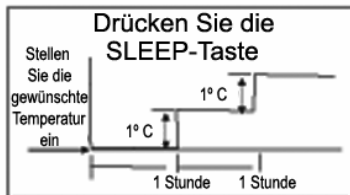
Automatische Drehung des Lüftungsgitters (nach oben – nach unten)

Zur Einstellung dieser Funktion muss die Klimaanlage eingeschaltet werden.

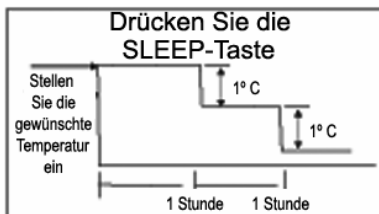
- Drücken Sie die SWING-Taste der Fernbedienung.
- Zur Deaktivierung dieser Funktion drücken Sie erneut die SWING-Taste. Drücken Sie die Taste AIR DIRECTION, um den Öffnungsgrad des Lüftungsgitters einzustellen.

- Bei ausgeschalteter Klimaanlage sprechen die Funktionen AIR DIRECTION und SWING nicht an, auch wenn die Zeitschaltung eingestellt wurde (TIMER ON).
- Achten Sie darauf, dass das Gebläse im Kühl- und Heizmodus nicht über einen länger währenden Zeitraum nach unten gerichtet ist, da sich andernfalls Kondenswasser am horizontalen Lüftungsgitter bildet. Beim Abtropfen des Kondenswassers könnten der Fußboden oder die Einrichtungsgegenstände beschädigt werden.
- Stellen Sie das horizontale Lüftungsgitter nicht per Hand ein. Nutzen Sie hierzu die Tasten AIR DIRECTION oder SWING der Fernbedienung. Wenn Sie das Gitter manuell ausrichten, könnte es zu Funktionsstörungen beim Einschalten der Anlage kommen. Sollte dies der Fall sein, stellen Sie die Anlage unverzüglich aus und schalten Sie sie erneut ein.
- Wenn die Anlage unverzüglich nach dem Ausschalten wieder eingeschaltet wird, kann es passieren, dass sich das horizontale Lüftungsgitter etwa 10 Sekunden lang nicht bewegt.
- Der Öffnungsgrad des horizontalen Lüftungsgitters darf nicht zu knapp eingestellt sein, da andernfalls die Leistung der Anlage im Kühl- und Heizmodus gemindert wird.
- Achten Sie stets darauf, dass das horizontale Lüftungsgitter geöffnet ist, bevor Sie die Anlage einschalten.
- Während der erstmaligen Inbetriebnahme der Anlage bewegt sich das horizontale Lüftungsgitter etwa 10 Sekunden lang geräuschhaft. Dies ist kein Anzeichen für eine Funktionsstörung.

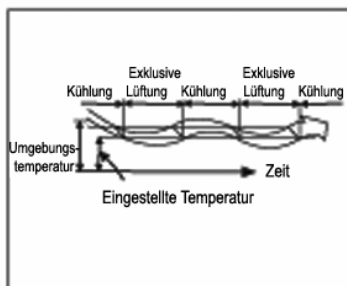
FUNKTIONEN



Kühlung



Heizung



Trocknungsfunktion

AUTOMATIKBETRIEB

- Im AUTOMATIKBETRIEB wird der Betriebsmodus (Kühlung und Heizung bei Modellen mit beiden Betriebsmodi oder Umluftfunktion) in Abhängigkeit von der eingestellten Temperatur und der Umgebungstemperatur automatisch ausgewählt.
- Die Raumtemperatur wird hierbei konstant auf einem Wert gehalten, welcher annähernd der eingestellten Temperatur entspricht.
- Sollte die Leistung im AUTOMATIKBETRIEB nicht Ihren Vorstellungen entsprechen, können Sie die gewünschten Funktionen manuell regulieren.

SCHLAFFUNKTION (SLEEP)

Bei aktivierter SCHLAFFUNKTION wird die eingestellte Temperatur im Kühl- und Heizmodus (nur bei Modellen mit beiden Betriebsmodi) bzw. im Automatikbetrieb in einer Stunde um 1 °C erhöht (Heizung) bzw. herabgesetzt (Kühlung). Nach zwei Stunden bleibt die Temperatur konstant. Der Lüfter wird automatisch geregelt.

Hinweis: In der SCHLAFFUNKTION wird die Anlage nach 7 Stunden automatisch ausgestellt.

TROCKNUNG

- Bei aktivierter Trocknungsfunktion wird die Anlage in Abhängigkeit vom Unterschied zwischen eingestellter Temperatur und Umgebungstemperatur automatisch auf Umluft gestellt.
- Während der Entfeuchtung der Raumluft wird die Temperatur automatisch geregelt, wobei der Betriebsmodus in kurzen Abständen zwischen Kühlung und Lüftung umstellen kann. Der Lüfter läuft auf niedriger Stufe (LOW).

Fernbedienung

Technische Daten der Fernbedienung

Modell	R51D/E, R51D/CE
Nennspannung	3,0 V (Alkaline Trockenzellen LR03 X 2)
Mindestversorgungsspannung des Prozessors des Signalempfängers	2,0 V
Signalreichweite	8 m (bei 3,0 V Versorgungsspannung bis zu 11 m)
Umgebungstemperatur	-5 °C ~ 60 °C

Funktionstasten der Fernbedienung

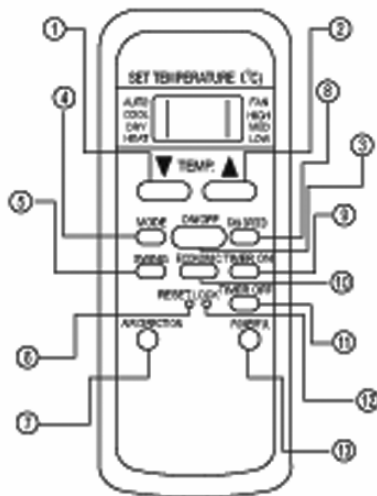


Abbildung 1

SET TEMPERATURE (°C)	(Temperatureinstellung)
AUTO	(Automatikbetrieb)
FAN	(Lüfter)
COOL	(Kühlung)
HIGH	(hohe Stufe)
DRY	(Trocknung)
MED	(mittlere Stufe)
HEAT	(Heizung)
LOW	(niedrige Stufe)
▼ TEMP. ▲	herabsetzen/erhöhen Temp
MODE	(Modus)
ON/OFF	(EIN/AUS)
FAN SPEED	(Lüftergeschwindigkeit)
SWING	(automatische Drehung)
ECONOMIC	(Energiesparmodus)
TIMER ON	(Zeitschaltung)
RESET	(Zurücksetzen)
LOCK	(Blockieren)
TIMER OFF	(Zeitschaltung AUS)
AIR DIRECTION	(Ausrichtung des Luftstroms)
POWERFUL	(höchste Stufe)

- TEMP▼**: Über diese Taste können Sie die eingestellte Innentemperatur herabsetzen.
- TEMP▲**: Über diese Taste können Sie die eingestellte Innentemperatur erhöhen.
- ON/OFF**: Über diese Taste wird die Klimaanlage ein- bzw. ausgeschaltet. Einmaliges Drücken = Einschalten; erneutes Drücken = Ausschalten.
- MODE (Auswahltaste)**: Jedes Mal, wenn Sie die MODE-Taste drücken, wechselt der Betriebsmodus wie folgt: AUTO COOL DRY HEAT FAN (Automatikbetrieb, Kühlung, Trocknung, Heizung, Lüftung); siehe Abbildung:

→ AUTO → COOL → DRY → HEAT → FAN →

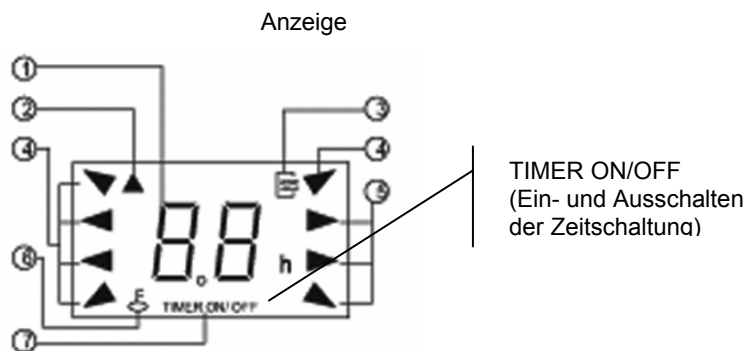
⚠ HINWEIS: Bei Modellen, die nur für Kühlung ausgelegt sind, steht der HEAT-Modus nicht zur Verfügung.

- SWING**: Über diese Taste aktivieren Sie die automatische Drehung des Lüftungsgitters nach unten und nach oben. Einmaliges Drücken = Aktivierung; erneutes Drücken = Deaktivierung.
- RESET**: Wenn Sie die RESET-Taste drücken, werden alle aktuellen Einstellungen gelöscht und die Klimaanlage wird auf die Werkseinstellungen zurückgesetzt. Die Taste wird mit einem etwa 1 mm breiten Stift betätigt.
- AIR DIRECTION**: Mit dieser Taste können Sie den Öffnungsgrad des Lüftungsgitters einstellen. Jedes Mal, wenn die Taste gedrückt wird, bewegt sich das Lüftungsgitter um einen bestimmten Grad nach oben bzw. nach unten. Sobald ein Öffnungsgrad erreicht wird, welcher die Heiz- oder Kühlleistung beeinträchtigt, wird automatisch die Drehrichtung geändert (nach oben oder nach unten).
- SPEED**: Mit dieser Taste können Sie die Geschwindigkeit des Lüfters einstellen. Es stehen die Einstellungen AUTO LOW MED HIGH (Automatikbetrieb, niedrige Stufe, mittlere Stufe, hohe Stufe) zur Verfügung.
- TIMER ON**: Mit dieser Taste kann die Einschaltzeit der Zeitschaltung eingestellt werden. Jedes Mal, wenn die Taste gedrückt wird, wird die Einschaltzeit um 30 Minuten verschoben. Ab der Einstellung 10:00 Uhr beträgt die Verschiebung bei erneutem Drücken der Taste 60 Minuten. Zum Löschen der Einschaltzeit muss die Einstellung 0:00 Uhr gewählt werden.

10. **ECONOMIC RUNNING (Energiesparfunktion):** Mit dieser Taste aktivieren Sie den Energiesparmodus. Einmaliges Drücken = Aktivierung; erneutes Drücken = Deaktivierung.
11. **TIMER OFF:** Mit dieser Taste wird die Ausschaltzeit der Zeitschaltung eingestellt. Jedes Mal, wenn die Taste gedrückt wird, wird die Ausschaltzeit um 30 Minuten verschoben. Ab der Einstellung 10:00 Uhr beträgt die Verschiebung bei erneutem Drücken der Taste 60 Minuten. Zum Löschen der Ausschaltzeit muss die Einstellung 0:00 Uhr gewählt werden.
12. **LOCK:** Mit dieser Taste werden alle gewählten Einstellungen blockiert und gesichert. Einmaliges Drücken = Blockierung der Einstellungen; erneutes Drücken = Freigabe der Einstellungen. (Die Taste wird mit einem etwa 1 mm breiten Stift betätigt.)
13. **POWERFUL:** Im Heiz- und Kühlbetrieb können Sie mit dieser Taste den Hochleistungsmodus aktivieren. Einmaliges Drücken = Aktivierung; erneutes Drücken = Deaktivierung.

Hinweis: Im Kühlbetrieb stellt die Anlage nachfolgend automatisch auf den vorigen Betriebsmodus um.

Anzeige der Fernbedienung



1. **Digitalanzeige:** Dieses Feld zeigt die Temperatur an. Bei aktivierter Zeitschaltung erscheinen die Einschalt- und die Ausschaltzeit. Diese letztgenannte Anzeige wird nach 5 Sekunden wieder ausgeblendet und es erscheint erneut die Temperaturanzeige. Im Lüftungsmodus **FAN** werden keine Daten angezeigt.
2. **Signalübertragungs-LED:** Diese LED blinkt während der Übertragung der Signale der Fernbedienung an den Signalempfänger des Innengeräts.
3. **ON/OFF-Anzeige:** Das Symbol der ON/OFF-Anzeige wird bei Einschalten der Klimaanlage über die Fernbedienung angezeigt und bei Ausschalten der Anlage ausgeblendet.
4. **Betriebsanzeige:** Diese Anzeige bezieht sich auf die einzelnen Betriebsmodi: "AUTO", "COOL", "DRY", "HEAT" und "FAN". Die Anzeige HEAT erscheint nur bei Modellen mit Wärmepumpe.
5. **Geschwindigkeitsanzeige (Lüfter):** Die Geschwindigkeit des Lüfters kann über die Taste FAN SPEED ausgewählt werden (Auto-Low-Med-High). Die gewählte Geschwindigkeit wird auf dem Display angezeigt (mit Ausnahme der Automateinstellung).
6. **Blockierungsanzeige:** Diese Anzeige erscheint nach Drücken der LOCK-Taste und wird bei Deaktivierung dieser Funktion (erneutes Drücken der LOCK-Taste) wieder ausgeblendet.
7. **Zeitschaltungsanzeige:** Diese Anzeige erscheint bei Aktivierung der Zeitschaltung. Wenn lediglich die Einschaltzeit eingestellt wurde, erscheint die Meldung TIMER ON. Wenn nur die Ausschaltzeit angezeigt wurde, erscheint die Anzeige TIMER OFF. Wurden Einschalt- und Ausschaltzeit programmiert, erscheint die Anzeige TIMER ON/OFF.

▲ HINWEIS: Zur Verdeutlichung der obigen Erläuterungen sind alle erwähnten Symbole in Abbildung 2 aufgeführt. Im Echtzeitbetrieb werden allerdings nur die Symbole der tatsächlich aktivierten Funktionen und Betriebsmodi angezeigt.

Betrieb mit Fernbedienung

Einlegen der Batterien und Batteriewechsel

Für die Fernbedienung benötigen Sie 2 alkaline Trockenzellen (LR03X2).

1. Klappen Sie den Deckel des Batteriefachs zurück und legen Sie die Batterien ein. Achten Sie dabei auf die richtige Polung [siehe die Symbole Plus (+) und Minus (-) auf der Fernbedienung].
2. Gleiches gilt für den Batteriewechsel.

AUTOMATIKBETRIEB

Nach abgeschlossener Installation und Zurüstung kann die Klimaanlage in Betrieb genommen werden. Wenn Sie die Anlage einschalten, blinkt die Betriebsanzeige des Innengeräts auf.

1. Wählen Sie den Automatikmodus (AUTO) aus. Nutzen Sie hierzu die MODE-Taste der Fernbedienung.
2. Verwenden Sie die TEMP-Taste zur Programmierung der gewünschten Raumtemperatur. Wir empfehlen Ihnen eine Temperatur zwischen 21 °C und 28 °C.
3. Drücken Sie die ON/OFF-Taste, um die Anlage einzuschalten. Nun blinkt die Betriebsanzeige des Innengeräts auf. Die Anlage befindet sich nun im Automatikmodus. Die Geschwindigkeit des Lüfters wird automatisch eingestellt. Auf der Anzeige der Fernbedienung werden keine Symbole eingeblendet.
4. Wenn Sie die Klimaanlage ausschalten möchten, drücken Sie die ON/OFF-Taste der Fernbedienung.

HINWEIS

1. *Im Automatikbetrieb wählt die Anlage in Abhängigkeit vom Temperaturunterschied zwischen tatsächlicher und programmierter Raumtemperatur den entsprechenden Betriebsmodus (Kühlung, Lüftung, Heizung oder Trocknung) selbständig aus.*
2. *Sollte die automatische Regelung nicht Ihren Vorstellungen entsprechen, können Sie den gewünschten Betriebsmodus jederzeit manuell einstellen.*

Kühlung / Heizung (nur bei Modellen mit beiden Betriebsmodi) und exklusiver Lüftungsmodus

1. Sollte die automatische Regelung nicht Ihren Vorstellungen entsprechen, können Sie den Betriebsmodus manuell zwischen COOL, HEAT und FAN ONLY (Kühlung, Heizung und exklusive Lüftung) umstellen.
2. Verwenden Sie die TEMP-Taste zur Programmierung der gewünschten Raumtemperatur. Für den Kühlbetrieb empfehlen wir Ihnen Temperaturen ab 21 °C. Für den Heizbetrieb empfehlen wir Ihnen Temperaturen bis zu 28 °C.
3. Mit der Taste FAN SPEED können Sie die Geschwindigkeit des Lüfters einstellen (Automatikbetrieb, hohe Stufe, mittlere Stufe, niedrige Stufe).
4. Schalten Sie anschließend die Anlage über die ON/OFF-Taste der Fernbedienung ein. Nun beginnt die Betriebsanzeige zu blinken und die Anlage startet im gewünschten Betriebsmodus. Wenn Sie die Klimaanlage ausschalten möchten, drücken Sie erneut die ON/OFF-Taste der Fernbedienung.

HINWEIS

Bitte beachten Sie, dass im exklusiven Lüftungsmodus (FAN ONLY) keine Temperaturregelung stattfindet. Im Lüftungsmodus können nur die Stufen 1, 3 und 4 gewählt werden.

Trocknung

1. Drücken Sie die MODE-Taste und wählen Sie den DRY-Modus.
2. Drücken Sie danach die TEMP-Taste und stellen Sie eine Temperatur zwischen 21 °C und 28 °C ein.
3. Schalten Sie anschließend die Anlage über die ON/OFF-Taste ein. Nun beginnt die Betriebsanzeige zu blinken und die Anlage startet im Trocknungsmodus (DRY). Der Lüfter läuft auf der niedrigsten Stufe (LOW). Wenn Sie die Klimaanlage ausschalten möchten, drücken Sie erneut die ON/OFF-Taste der Fernbedienung.

HINWEIS

Im Trocknungsmodus wechselt die Anlage in Abhängigkeit vom Temperaturunterschied zwischen tatsächlicher und programmierter Raumtemperatur kontinuierlich zwischen Kühlung (COOL) und Lüftung (FAN).



Zeitschaltung

Über die Taste TIMER ON können Sie die Einschaltzeit der Klimaanlage programmieren. Über die Taste TIMER OFF können Sie die Ausschaltzeit eingeben.

1. Programmierung der Einschaltzeit

- 1.1 Nach Drücken der Taste TIMER ON erscheinen auf der Anzeige der Fernbedienung die Meldung TIMER ON, die zuletzt programmierte Einschaltzeit und der Buchstabe "h". Nun können Sie die Einschaltzeit programmieren. Gehen Sie dabei wie folgt vor.
- 1.2 Drücken Sie erneut die Taste TIMER ON, um die Einschaltzeit einzustellen.
- 1.3 Nach dem Drücken der Taste dauert es 1 Sekunde, bis das Signal der Fernbedienung an den Signalempfänger des Innengeräts übertragen wird. Nach 2 Sekunden werden der Buchstabe "h" und die eingestellte Temperatur auf der Anzeige eingeblendet.

2. Programmierung der Ausschaltzeit

- 2.1 Nach Drücken der Taste TIMER OFF erscheinen auf der Anzeige der Fernbedienung die Meldung TIMER OFF, die zuletzt programmierte Ausschaltzeit und der Buchstabe "h". Nun können Sie die Ausschaltzeit programmieren. Gehen Sie dabei wie folgt vor.
- 2.2 Drücken Sie erneut die Taste TIMER OFF, um die Ausschaltzeit einzustellen.
- 2.3 Nach dem Drücken der Taste dauert es 1 Sekunde, bis das Signal der Fernbedienung an den Signalempfänger des Innengeräts übertragen wird. Nach 2 Sekunden werden der Buchstabe "h" und die eingestellte Temperatur auf der Anzeige eingeblendet.

3. Programmierung von Ein- und Ausschaltzeit

- 3.1 Nach Drücken der Taste TIMER ON erscheinen auf der Anzeige der Fernbedienung die Meldung TIMER ON, die zuletzt programmierte Einschaltzeit und der Buchstabe "h". Nun können Sie die Einschaltzeit programmieren. Gehen Sie dabei wie folgt vor.
- 3.2 Drücken Sie erneut die Taste TIMER ON, um die Einschaltzeit einzustellen.
- 3.3 Nach Drücken der Taste TIMER OFF erscheinen auf der Anzeige der Fernbedienung die Meldung TIMER OFF, die zuletzt programmierte Ausschaltzeit und der Buchstabe "h". Nun können Sie die Ausschaltzeit programmieren. Gehen Sie dabei wie folgt vor.
- 3.4 Drücken Sie erneut die Taste TIMER OFF, um die Ausschaltzeit einzustellen.
- 3.5 Nach dem Drücken der Taste dauert es 1 Sekunde, bis das Signal der Fernbedienung an den Signalempfänger des Innengeräts übertragen wird. Nach 2 Sekunden wird die programmierte Temperatur im Digitalformat angezeigt.

Ändern der eingestellten Zeiten

Drücken Sie die Taste TIMER ON oder TIMER OFF, wenn Sie die eingestellte Ein- bzw. Ausschaltzeit ändern möchten und geben Sie die neuen Zeiten ein.

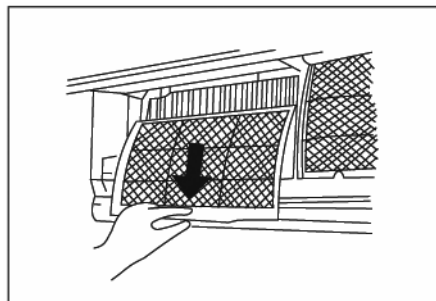
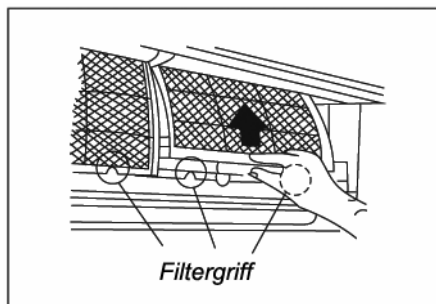
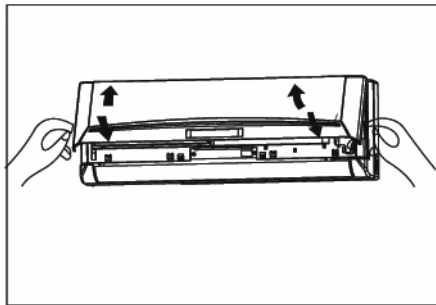
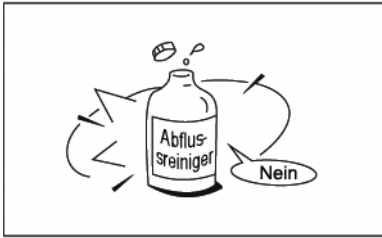
HINWEIS

Die eingestellten Zeiten sind relativ, d.h. sie gelten in Bezug auf die aktuelle Uhrzeit.

Wichtig

1. Vergewissern Sie sich, dass der Signalweg zwischen Fernbedienung und Signalempfänger des Innengeräts nicht durch Gegenstände blockiert wird.
2. Bewahren Sie die Fernbedienung nicht in der Nähe von Flüssigkeiten auf.
3. Schützen Sie die Fernbedienung vor zu starker Hitze und Wärmestrahlung.
4. Zur Gewährleistung des korrekten Betriebs der Fernbedienung darf der Signalempfänger des Innengeräts nicht der direkten Sonnenstrahlung ausgesetzt sein.
5. Schützen Sie die Fernbedienung vor dem Einfluss magnetischer Felder anderer Haushaltsgeräte.
6. Verwenden Sie keine unterschiedlichen oder gebrauchten Batterien, da die Fernbedienung sonst nicht korrekt funktioniert.
7. Entfernen Sie die Batterien, wenn Sie die Fernbedienung längere Zeit nicht nutzen. Andernfalls könnte sie durch austretende Batterieflüssigkeit beschädigt werden.
8. Unter normalen Betriebsbedingungen beträgt die durchschnittliche Nutzungsdauer der Batterien etwa 6 Monate.
9. Die Batterien sind auszutauschen, wenn der Signalempfänger des Innengeräts kein akustisches Bestätigungssignal sendet oder wenn die Signalübertragungs-LED aufhört zu blinken.

WARTUNG



⚠️ WARNUNG

Vor jeder Reinigung muss die Anlage ausgeschaltet und vom Netz abgezogen werden.

Reinigung des Innengeräts und der Fernbedienung

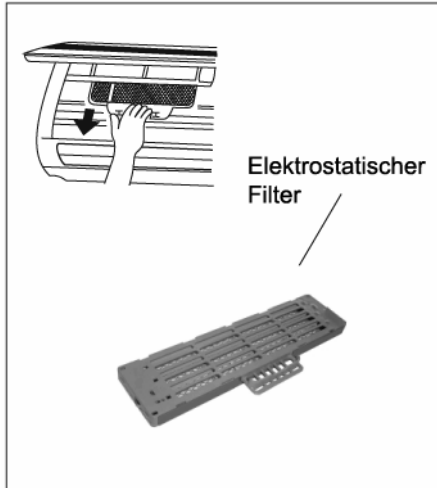
⚠️ VORSICHTSMASSNAHMEN

- Reinigen Sie das Innengerät und die Fernbedienung mit einem weichen trockenen Tuch.
- Bei stärkerer Verschmutzung des Innengeräts empfiehlt es sich, das Tuch mit kaltem Wasser zu befeuchten.
- Die Vorderabdeckung ist abnehmbar und kann unter fließendem Wasser abgespült werden. Anschließend ist die Abdeckung trocken zu reiben.
- Verwenden Sie keine chemischen Reinigungsmittel oder spezielle Produkte zur Behandlung staubverschmutzter Oberflächen.
- Das Gerät darf nicht mit Benzin, Benzol, Lösungsmitteln, Scheuermitteln oder ähnlichen Produkten gereinigt werden. Diese Produkte könnten Kratzer verursachen oder die Kunststoffflächen verformen.

Reinigung des Luftfilters

Der Luftfilter muss in regelmäßigen Abständen gereinigt werden, da andernfalls die Leistungsfähigkeit der Anlage beeinträchtigt wird. Reinigen Sie den Filter aller zwei Wochen.

1. Drücken Sie die Vorderabdeckung des Innengeräts nach oben, bis sie einrastet.
2. Heben Sie den Filter leicht an und nehmen Sie ihn aus dem Filterhalter heraus, indem Sie ihn nach unten drücken.
3. Nehmen Sie den Filter vollständig aus dem Innengerät heraus
 - Reinigen Sie den Filter aller zwei Wochen.
 - Verwenden Sie hierzu einen Staubsauger oder spülen Sie ihn mit Wasser ab. Lassen Sie den Filter an einem gut durchlüfteten Ort trocknen.



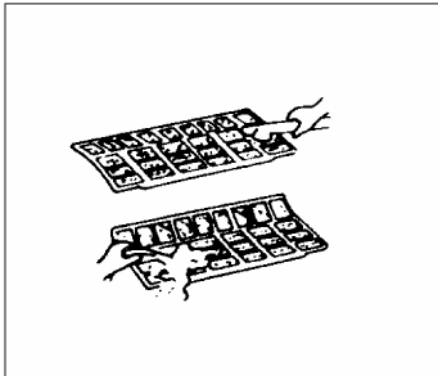
4. Nehmen Sie den elektrostatischen Filter wie aus der Abbildung ersichtlich aus dem Rahmen heraus (nur für Modelle mit elektrostatischem Filter).

⚠ Nach dem Öffnen des Filtergitters sollten Sie 10 Minuten warten, bevor Sie den Filter berühren, da andernfalls die Gefahr eines Stromschlags besteht.

- Säubern Sie den Filter mit einem milden Reinigungsmittel oder mit Wasser und lassen Sie ihn zwei Stunden in der Sonne trocknen.
- Prüfen Sie den Umlaufstreifen bzw. den Filterrahmen auf Beschädigungen, bevor Sie den Filter wieder in das Gerät einsetzen.

5. Setzen Sie den gereinigten Filter wieder in den Filterhalter ein.

6. Führen Sie hierzu den oberen Teil des Filters in den Halter ein. Achten Sie darauf, dass der rechte und linke Rand korrekt ausgerichtet sind.



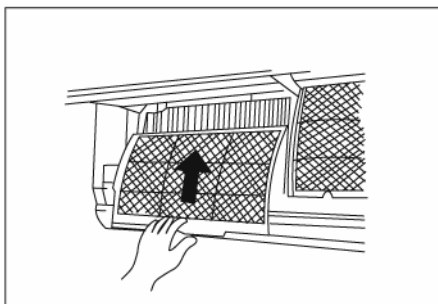
Wartung

Sollten Sie die Anlage längere Zeit nicht benutzen, befolgen Sie bitte die nachstehenden Anweisungen:

- (1) Lassen Sie den Lüfter etwa den einen halben Tag lang laufen, damit das Innengerät gut getrocknet wird.
- (2) Schalten Sie danach die Anlage aus und ziehen Sie sie vom Netz ab. Entfernen Sie die Batterien aus der Fernbedienung.
- (3) Das Außengerät muss regelmäßig gereinigt und gewartet werden. Diese Arbeiten sollten Sie keineswegs selbständig durchführen. Setzen Sie sich hierfür mit einem Fachhändler oder dem technischen Kundendienst in Verbindung.

Überprüfung vor Inbetriebnahme

- Prüfen Sie die Elektrokabel auf Schäden und vergewissern Sie sich, dass die Kabel ans Netz angeschlossen sind.
- Prüfen Sie, ob der Luftfilter korrekt installiert ist.
- Vergewissern Sie sich, dass der Lufteinlass und der Luftauslass nicht blockiert oder verstopft sind.



⚠ VORSICHTSMASSNAHMEN

- Vermeiden Sie eine Berührung der Metallteile beim Filteraustausch. Die scharfen Kanten stellen eine Gefahrenquelle dar und es könnte zu Verletzungen kommen.
- Reinigen Sie die Anlage niemals mit Wasser. Beim Eintritt von Wasser in die Anlage könnte die Isolierung beschädigt werden. Außerdem besteht die Gefahr von Stromschlägen.
- Vergewissern Sie sich, dass Leistungs- und Stromschalter ausgeschaltet sind, bevor Sie die Anlage reinigen.

NUTZUNGSHINWEISE

Les circonstances suivantes peuvent se produire pendant le fonctionnement normal.

1. Schutzfunktion

Kompressorschutz

- Nach dem Ausschalten der Klimaanlage bleibt der Kompressor 3 Minuten lang inaktiv.

Schutz gegen Kaltluft (nur bei Modellen mit kombiniertem Kühl- und Heizbetrieb)

- Wenn die programmierte Temperatur nicht erreicht wurde und der Wärmetauscher aus den folgenden drei Gründen nicht in Betrieb ist, wird im Heizmodus keine Kaltluft generiert:

A) Aktivierung des Heizmodus

B) Aktivierung des Enteisungsmodus

C) Aktivierung des Heizmodus bei niedrigen Temperaturen.

- Im Enteisungsmodus sind der Lüfter des Innen- und des Außengeräts nicht in Betrieb (nur bei Modellen mit Heiz- und Kühlfunktion). Enteisung (nur bei Modellen mit Heiz- und Kühlfunktion)
- Bei niedrigen Außentemperaturen und hoher Luftfeuchte kann es im Heizbetrieb zu Frostbildung am Außengerät kommen, sodass die Leistung der Anlage im Heizmodus etwas gemindert wird.
- Bei Frostbildung wird der Heizmodus automatisch eingestellt und die Enteisungsfunktion wird aktiviert.
- Je nach Außentemperatur und Frostanteil kann die Dauer des Enteisungsvorgangs zwischen 4 und 10 Minuten betragen.

2. Dampfabsonderung am Innengerät

- Bei hohem Temperaturunterschied zwischen der Temperatur des eintretenden und des austretenden Luftstroms und gleichzeitig hoher Raumluftfeuchte kommt es im Kühlbetrieb zur Dampfabsonderung am Innengerät.
- Wenn die Luftfeuchte im Zuge des Enteisungsvorgangs ansteigt, können bei nachfolgender Umstellung auf den Heizmodus ebenso Dämpfe entstehen.

3. Betriebsgeräusche

- Während des Betriebs der Anlage und beim Ausschalten kann es zu leisen Geräuschen kommen. Diese entstehen durch den Zyklus des Kühlwassers.
- Außerdem ist während des Betriebs der Anlage und beim Ausschalten ein leises Knacken zu hören, da sich die Kunststoffbauteile durch den Heizvorgang ausdehnen und bei abnehmender Wärme wieder zusammenziehen.
- Ein weiteres Betriebsgeräusch entsteht, wenn das Gebläse beim Einschalten der Anlage in die ursprüngliche Position zurück bewegt wird.

4. Staubbildung am Innengerät

Wenn die Anlage längere Zeit nicht genutzt wurde, können beim Einschalten geringe Staubmengen auftreten.

5. Geruchsbildung am Innengerät

Auf Grund der Temperaturänderung an den Bauteilen der Anlage und den Einrichtungsgegenständen sowie auf Grund der Dampfbildung können eventuell Gerüche auftreten.

6. Die Anlage kann vom Heiz- und Kühlmodus automatisch auf den Lüftungsmodus umstellen (nur bei Geräten mit kombinierter Heiz- und Kühlfunktion).

Bei Erreichen der programmierten Raumtemperatur wird der Kompressor automatisch deaktiviert und die Anlage schaltet auf den exklusiven Lüftungsmodus um (FAN ONLY). Bei Absinken der Raumtemperatur im Heizbetrieb bzw. beim Anstieg der Raumtemperatur im Kühlbetrieb wird der Kompressor automatisch wieder zugeschaltet (nur bei Modellen mit kombinierter Heiz- und Kühlfunktion).

7. Bei hoher Raumluftfeuchte (über 80%) kann im Kühlbetrieb Wasser aus dem Innengerät austreten. Richten Sie das horizontale Lüftungsgitter auf den höchstmöglichen Öffnungsgrad aus und stellen Sie den Lüfter auf Höchstgeschwindigkeit.

8. Heizmodus (nur bei Modellen mit kombinierter Kühl- und Heizfunktion)

Bei Aktivierung des Heizmodus wird Warmluft aus dem Außengerät bezogen und über das Innengerät abgegeben. Demzufolge ist die Heizleistung der Klimaanlage bei sinkenden Außentemperaturen gemindert. Bei hohem Temperaturunterschied zwischen Außentemperatur und Raumtemperatur wird die Heizleistung der Anlage stark belastet. Sollte sich in diesem Falle die Heizleistung als nicht ausreichend erweisen, empfehlen wir Ihnen die Anschaffung eines zusätzlichen Heizgeräts.

9. Automatische Neueinschaltfunktion

Bei Stromausfall schaltet die Klimaanlage automatisch ab.

Bei Modellen ohne automatische Neueinschaltfunktion beginnt die Betriebsanzeige bei erneuter Stromzufuhr zu blinken. Drücken Sie in diesem Falle die ON/OFF-Taste der Fernbedienung, um die Anlage erneut in Betrieb zu setzen. Bei Modellen mit automatischer Neueinschaltfunktion schaltet sich die Anlage automatisch wieder ein. Dabei bleiben alle zuvor programmierten Einstellungen erhalten.

10. Die Leistung der Klimaanlage kann durch Strahlung (insbesondere Handystrahlung) beeinträchtigt werden. Ist dies der Fall, empfehlen wir Ihnen, die Anlage aus- und unmittelbar danach wieder einzuschalten. Drücken Sie hierzu die ON/OFF-Taste der Fernbedienung.

Fehlerbehebung

Fehler und Lösungsvorschläge

Bei Auftreten einer der nachstehend aufgeführten Fälle muss die Anlage unverzüglich ausgeschaltet werden. Ziehen Sie die Anlage vom Stromversorgungsnetz ab und setzen Sie sich mit dem technischen Kundendienst in Verbindung.	
Problem	Die Betriebsanzeige oder eine andere Anzeige blinkt mehrmals hintereinander auf (5 mal pro Sekunde) und das Problem kann nicht durch Ein- und Ausschalten der Anlage behoben werden.
	Die Sicherung ist durchgebrannt oder der Leistungsschalter schaltet sich häufig aus.
	Es ist Wasser in die Anlage eingetreten oder es befinden sich Fremdkörper im Gerät.
	Die Fernbedienung funktioniert nicht oder fällt häufig aus.
	Sonstige Fehler.

Fehler	Ursache	Behebung
Die Anlage schaltet sich nicht ein.	Stromausfall	Warten Sie, bis die Stromzufuhr erneut gewährleistet ist.
	Die Anlage ist nicht an das Stromversorgungsnetz angeschlossen.	Vergewissern Sie sich, dass der Stecker des Netzkabels korrekt angeschlossen ist.
	Die Sicherung ist durchgebrannt.	Tauschen Sie die Sicherung aus.
	Die Batterien der Fernbedienung müssen ausgetauscht werden.	Tauschen Sie die Batterien aus.
	Die Einschaltzeit wurde nicht korrekt programmiert.	Warten Sie, bis sich die Anlage einschaltet oder korrigieren Sie die programmierten Zeiten.
Das Innengerät funktioniert, doch die Heiz- und Kühlleistung der Anlage ist nicht zufriedenstellend (nur bei Modellen mit kombinierter Heiz- und Kühlfunktion).	Die programmierte Temperatur ist unzureichend.	Stellen Sie eine höhere oder niedrigere Temperatur ein.
	Der Luftfilter muss gereinigt werden.	Reinigen Sie den Luftfilter.
	Die Anlage wird bei geöffneten Türen und Fenstern betrieben.	Schließen Sie Türen und Fenster.
	Luft ein- und -auslass des Innen- oder Außengeräts sind verstellt oder blockiert.	Entfernen Sie alle Gegenstände, die den Luft ein- oder -auslass verstellen und schalten Sie die Anlage erneut ein.
	Die Schutzfunktion des Kompressors wurde aktiviert (3- minütige Pause).	Warten Sie, bis sich der Kompressor wieder zuschaltet.
Sollten die genannten Fehler nicht behoben werden können, setzen Sie sich bitte mit Ihrem Fachhändler oder mit dem technischen Kundendienst in Verbindung. Beschreiben Sie die auftretenden Fehler so genau wie möglich und halten Sie die Angaben zu Ihrem konkreten Modell bereit.		

Anmerkung: Versuchen Sie keinesfalls, die Anlage selbständig zu reparieren. Setzen Sie sich unverzüglich mit dem zugelassenen technischen Kundendienst in Verbindung.



NEDERLANDS

INHOUD

VEILIGHEIDSMATREGELEN	1
BENAMING VAN DE ONDERDELEN	4
HANDMATIGE BEDIENING	5
OPTIMAAL RENDEMENT	5
INSTELLING VAN DE LUCHTSTROOMRICHTING.....	6
WERKING VAN DE AIRCONDITIONER.....	7
SPECIFICATIES VAN DE AFSTANDBEDIENING.....	8
INLEIDING TOT DE FUNCTIEKNOPPEN VAN DE AFSTANDBEDIENING	8
BENAMING EN FUNCTIES VAN DE LAMPJES OP DE AFSTANDBEDIENING ..	9
GEBRUIK VAN DE AFSTANDBEDIENING	10
ONDERHOUD	12
TIPS VOOR GEBRUIK.....	14
TIPS VOOR HET CHECKEN VAN STORINGEN	16

Lees deze handleiding

In deze handleiding vindt u tal van nuttige tips om de airconditioner te gebruiken en in goede staat te houden. Met een korte preventieve onderhoudsbeurt spaart u tijd en geld en verlengt u de levensduur van het apparaat. In de tabel voor het oplossen van storingen vindt u advies voor vele alledaagse problemen. Raadpleeg deze tabel vóór u onze technische dienst belt, dat spaart telefoonkosten.

BELANGRIJK

- Laat de reparaties en onderhoudsbeurten van dit toestel uitvoeren door een erkend technicus. De montage moet gebeuren door een vakkundig installateur.
- De airconditioner kan niet zonder toezicht door kinderen of gehandicapten worden gebruikt.
- Zorg ervoor dat kinderen niet met het apparaat spelen.
- Indien de aansluitingskabel op het stroomnet moet worden vervangen, vertrouw dan deze opdracht toe aan een erkend technicus.
- De montage moet geschieden overeenkomstig de nationale elektriciteitsreglementen, uitsluitend door erkend personeel.

Veiligheidsmaatregelen

Teneinde verwondingen van de gebruiker of van andere personen te voorkomen, volgt u de hierna beschreven instructies.

Het niet in acht nemen van de onderhavige instructies kan leiden tot een ineffectieve werking van het apparaat en kan verwondingen of beschadiging tot gevolg hebben. De volgende symbolen geven het belang hiervan weer.

WAARSCHUWING	Dit symbool betekent levensgevaar of zware verwondingen.
BELANGRIJK	Dit symbool betekent verwondingen of materiële schade.

- Vervolgens wordt de betekenis van de in deze handleiding gebruikte symbolen toegelicht

	Doe dit nooit.
	Doe dit altijd.

WAARSCHUWING

Maak een correcte aansluiting op het stroomnet

- Zoniet kunnen er elektrische schokken of brand worden veroorzaakt tengevolge van oververhitting.

Wijzig de lengte van de aansluitingskabel niet en gebruik het stopcontact niet samen met andere huishoudelijke apparaten.

- Er kunnen elektrische schokken of brand worden veroorzaakt tengevolge van verhitting.

Zorg er steeds voor dat het apparaat goed geaard is.

- De afwezigheid van een aarding kan elektrische schokken veroorzaken.

Onderbreek de stroom indien het u rare geluiden, geuren of rook waarneemt.

- Gevaar voor brand en elektrische schokken.

Houd vuurwapens op een veilige afstand.

- Zij kunnen brand veroorzaken.

Bij gaslekken van andere huishoudelijke apparaten ventileert u de kamer vóór u de airconditioner inschakelt.

- Er bestaat gevaar voor explosie, brand en brandwonden

Schakel het apparaat niet in of uit door middel van de stekker.

- Dit kan aanleiding geven tot elektrische schokken of brand tengevolge van verhitting.

Bedien het apparaat niet met natte handen of wanneer u in een plas staat.

- Dit kan aanleiding geven tot elektrische schokken.

Voorkom dat de elektrische componenten met water worden bevochtigd.

- Dit kan het uitvallen van het apparaat of elektrische schokken tot gevolg hebben.

Gebruik het apparaat niet indien de stekker los zit of beschadigd is.

- Dit kan brand en elektrische schokken veroorzaken.

Gebruik de aansluitingskabel niet dichtbij verwarmingsapparaten.

- Dit kan brand en elektrische schokken veroorzaken.

Zorg ervoor dat de aansluitingskabel niet wordt beschadigd en gebruik geen kabels die niet specifiek voor dit apparaat zijn bestemd.

- Dit kan aanleiding geven tot elektrische schokken of brand.

Richt de luchtstroom niet rechtstreeks op de bewoners.

- Dit is schadelijk voor de gezondheid.

Plaats altijd stroomonderbrekers en een toepassingsgericht stroomcircuit.

- De afwezigheid hiervan kan brand en elektrische schokken veroorzaken.

Open het apparaat niet terwijl het in bedrijf is.

- Dit kan elektrische schokken veroorzaken.

Gebruik de aansluitingskabel niet dichtbij brandstoffen of ontvlambare gassen zoals bijvoorbeeld, benzine, benzeen, oplosmiddelen, etc.

- Dit kan elektrische schokken of brand veroorzaken.

Ventileer de kamer

- Risico van beschadiging en elektrische schokken

△ BELANGRIJK

⊗ **Raak de metalen onderdelen van het apparaat niet aan terwijl u de luchtfilter demonteert.**

- Dit kan verwondingen veroorzaken.

⊗ **Reinig de airconditioner niet met water.**

- Het apparaat kan door het water beschadigd worden en er bestaat gevaar voor elektrische schokken.

⊗ **Ventileer de kamer goed wanneer u het apparaat samen met een kachel, etc. gebruikt.**

- Gevaar van zuurstoftekort.

⊗ **Schakel het apparaat uit en sluit de stroomonderbreker af om het te reinigen.**

- Reinig het apparaat niet wanneer het is aangesloten, dit kan aanleiding geven tot brand, elektrische schokken en verwondingen.

⊗ **Plaats planten of dieren niet rechtstreeks bloot aan de luchtstroom.**

- Dit zou schadelijk zijn voor de dieren en de planten.

⊗ **Gebruik het apparaat niet voor andere specifieke toepassingen.**

Gebruik de airconditioner niet om precisie-instrumenten, dieren, planten of andere kunstvoorwerpen te bewaren. Deze zouden kunnen worden beschadigd.

⊗ **Schakel het apparaat uit en sluit het raam ingeval van onweer of wervelstorm.**

- Wanneer het apparaat functioneert met de ramen geopend kan het binnenstromende water de kamer en de meubels beschadigen.

⊗ **Bij het uittrekken van de stekker houdt u hem bij de kop vast.**

- Zoniet kunnen er elektrische schokken en beschadigingen worden veroorzaakt.

⊗ **Trek de stekker uit het stopcontact wanneer het apparaat gedurende een langere periode niet wordt gebruikt.**

- Er bestaat het risico van brand en beschadiging van het apparaat.

⊗ **Plaats geen voorwerpen die de toevoer of afvoer van lucht kunnen belemmeren.**

- Dit zou het apparaat kunnen beschadigen en ongevallen veroorzaken.

⊗ **Zorg ervoor dat het onderstel waarop de externe unit is gemonteerd niet beschadigd is door blootstelling aan weer en wind.**

- Indien het onderstel is beschadigd bestaat het gevaar dat het apparaat door val beschadigd wordt.

⊗ **Plaats de filters met vaste hand. Reinig de filter om de twee weken..**

- Werking zonder filter kan aanleiding geven tot storingen.

⊗ **Gebruik geen sterke detergents zoals was of thinner. Gebruik voor het reinigen een zachte doek.**

- De buitenkant kan ontkleuren of bekrast worden.

⊗ **Plaats geen zware voorwerpen op de aansluitingskabel en zorg ervoor dat hij niet plat wordt gedrukt.**

- Brandgevaar of risico van elektrische schokken

⊗ **Drink het water dat uit de airconditioner komt niet op**

Het bevat vervuilende stoffen zodat u misselijk zou kunnen worden.

⊗ **Ga voorzichtig te werk bij het uipakken en bij de montage. De randen kunnen verwondingen veroorzaken.**

⊗ **Als er water in het apparaat komt, schakelt u het uit bij het stopcontact en onderbreekt u de stroom. Isoleer de stroomtoevoer door de stekker uit het stopcontact te halen en bel een bevoegd technicus op.**

Vóór u het apparaat in gebruik neemt

1. Vraag een deskundige om het apparaat te monteren.
2. Zorg ervoor dat de unit correct is geaard.
3. Gebruik geen stroomkabel die beschadigd of niet genormaliseerd is.
4. Gebruik niet dezelfde aarding samen met andere huishoudelijke apparaten.
5. Gebruik geen verlengsnoeren.
6. Schakel het apparaat niet aan en uit door middel van de stekker.

Gebruik

1. Een lange rechtstreekse blootstelling aan de luchtstroom kan schadelijk zijn voor de gezondheid. Stel personen, dieren of planten niet rechtstreeks bloot aan de luchtstroom gedurende een langere tijd.
2. Om zuurstoftekort te voorkomen ventileert u de kamer indien u tegelijk kachels of andere verwarmingsapparaten gebruikt.
3. Gebruik deze airconditioner niet voor specifieke, niet aangewezen doeleinden (bijvoorbeeld voor het bewaren van precisie-instrumenten, levensmiddelen, dieren, planten of kunstvoorwerpen). Het zou de te beschermen voorwerpen kunnen beschadigen.

Schoonmaak en onderhoud

1. Raak de metalen onderdelen van het apparaat niet aan wanneer u de filter verwijdt. De scherpe metalen randen kunnen verwondingen veroorzaken.
2. Reinig de interne unit van de airconditioner niet met water. Blootstelling aan water kan de isolering vernielen en elektrische schokken veroorzaken.
3. Vóór u de unit reinigt, sluit u de stroom en stroomonderbreker af.

Service

Vertrouw de reparatie- en onderhoudswerkzaamheden toe aan een erkende dealer.

Operating temperature

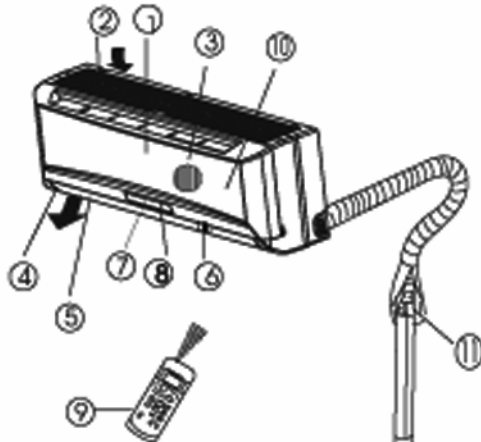
Modus	Koelen	Verwarmen	Drogen
Kamertemperatuur	17 °C ~ 32 °C	17 °C ~ 30 °C	17 °C ~ 32 °C
Buitemtemperatuur	18 °C ~ 43 °C	-7 °C ~ 24 °C	18 °C ~ 43 °C

BELANGRIJK:

1. Bij overschrijding van de temperatuurintervallen van de bovenstaande tabel kunnen er diverse beschermingsfuncties in werking treden waardoor het apparaat niet meer normaal functioneert.
2. De relatieve vochtigheidsgraad dient lager te zijn dan 80 %. Boven deze waarde kan er condensatie optreden op de oppervlakte van het apparaat. Oriënteer het raampje rechtstreeks naar de grond toe en stel de ventilator in op de maximum snelheid (HIGH).
3. Binnen de bovenstaande temperaturen geeft het apparaat een optimaal rendement.

BENAMING VAN DE ONDERDELEN

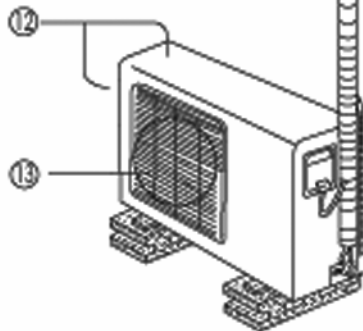
Interne unit



Interne unit

1. Voorpaneel
2. Luchtoevoer
3. Luchtfiler
4. Luchtuitleat
5. Ventilatioerooster voor horizontale luchtstroom
6. Vertikaal ventilatieraampje
7. Bedieningspaneel
8. Ontvanger van het signaal van de afstandsbediening
9. Afstandsbediening
10. Knop voor handmatige bediening

Externe unit



Externe unit

11. Leidingen voor aansluiting en waterafvoer
12. Luchtoevoer (zij- en achterkant)
13. Luchtuitleat

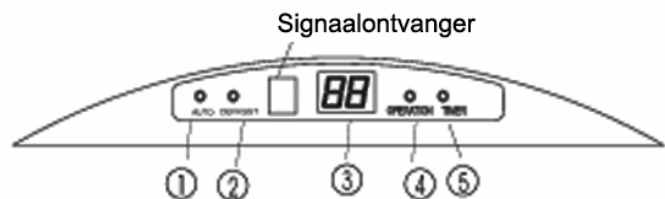
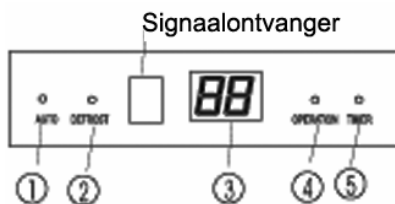
Het lampje begint snel te flikkeren (vijf maal per seconde) wanneer de beveiligingsfuncties in werking treden.

Opmerking:

De afbeeldingen van deze handleiding zijn uitsluitend bedoeld als toelichting. Zij kunnen kleine verschillen vertonen met de airconditioner die u zich heeft aangeschaft (afhankelijk van het model). In voorkomend geval prevaleert de reële vorm.

Functies op het paneel van de interne unit

Het bedieningspaneel van de interne unit gelijkt op één van de volgende afbeeldingen:



1. AUTO lampje (automatisch)

Dit lampje gaat branden wanneer de airconditioner in AUTO functioneert.

2. DEFROST lampje (ontdooien) (uitsluitend voor modellen met koeling en verwarming)

Dit lampje gaat branden wanneer de airconditioner automatisch begint te ontdooien of wanneer de controlefunctie voor warme lucht in werking wordt gesteld in de modus verwarming.

3. TEMPERATURE indicator (temperatuur)

Geeft de gekozen temperatuur aan wanneer de airconditioner in werking wordt gesteld.

4. OPERATION lampje (in bedrijf)

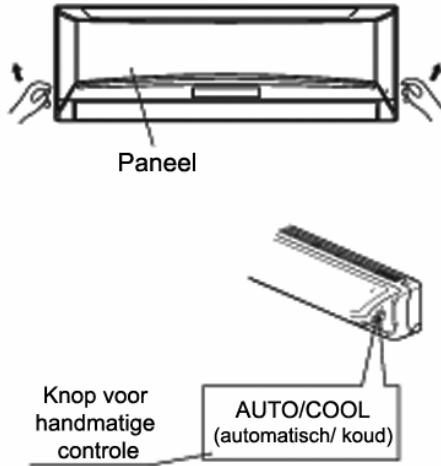
Dit lampje gaat flikkeren nadat de stroom is aangesloten en gaat branden wanneer de unit in werking wordt gesteld.

5. TIMER lampje (tijdschakelaar)

Dit lampje gaat branden wanneer de het apparaat in- of uitgeschakeld wordt met behulp van een tijdschakelaar.

HANDMATIGE BEDIENING

Wanneer u de afstandsbediening niet vindt of wanneer de batterijen leeg zijn kunt u tijdelijk het apparaat handmatig bedienen.



1. Open het voorste paneel en til het op tot het klikt.
2. Druk één maal op de knop van de handmatige controle om het apparaat gedwongen in AUTO te doen functioneren.
3. Sluit het paneel met vaste hand tot het weer in de oorspronkelijke stand klikt.

BELANGRIJK:

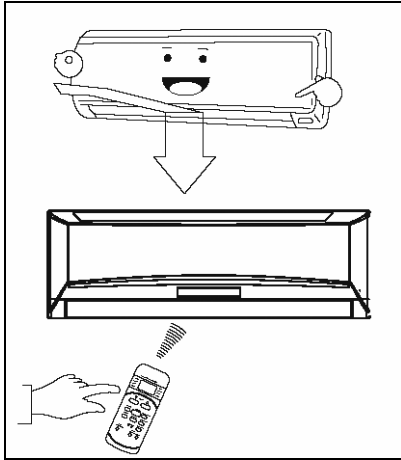
- Telkens wanneer u op de handmatig knop drukt, verandert de modus van volgorde AUTO, COOL, OFF (automatisch, koud, uitgeschakeld).
- Indien u tweemaal op de knop drukt werkt het apparaat in de modus gedwongen koeling. Deze wordt uitsluitend gebruikt bij testen.
- Wanneer u driemaal drukt wordt de airconditioner uitgeschakeld.
- Indien u het apparaat weer wil laten functioneren met behulp van de afstandsbediening, gebruikt u hem rechtstreeks.

OPTIMAAL RENDEMENT

Voor een optimaal rendement, neemt u de volgende tips in acht:

- Stel de luchtstraal in de correcte richting in zodat personen er niet rechtstreeks aan worden blootgesteld.
- Stel de temperatuur in voor maximaal comfort. Stel de temperatuur niet in op extreme waarden.
- Sluit deuren en ramen bij koeling of verwarming, zoniet zal het rendement dalen.
- Gebruik de knop TIMER ON (tijdschakelaar in bedrijf) van de afstandbediening om het uur in te stellen waarop u wenst de airconditioner te starten.
- Plaats geen voorwerpen dichtbij de luchttoevoer- of uitlaat. Dit reduceert het rendement van de airconditioner, en kan zelfs leiden tot het stilvallen van het apparaat.
- Reinig regelmatig de luchtfilter om te vermijden dat het rendement bij koeling of verwarming afneemt.
- Laat de unit niet functioneren wanneer het horizontale ventilatieraampje gesloten is.

INSTELLING VAN DE LUCHTSTROOMRICHTING



- Oriënteer de luchtstroom in de correcte richting zodat de kamertemperatuur comfortabel en regelmatig blijft.
- Oriënteer het horizontale ventilatieraampje met behulp van de afstandsbediening.
- Oriënteer het verticale rooster met de hand.

Verticale oriëntering van de luchtstroom (boven – beneden)

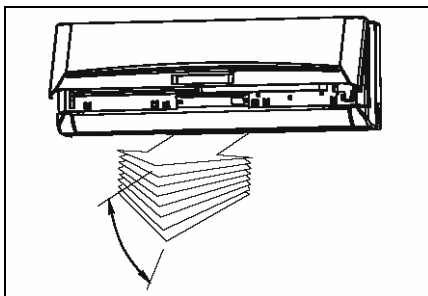
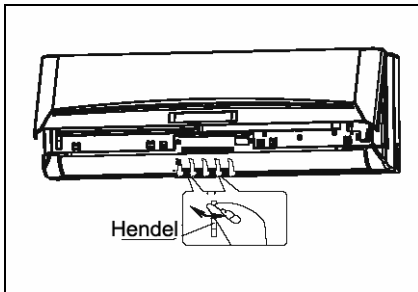
De airconditioner stelt automatisch de richting van de luchtstroom in naargelang de ingestelde modaliteit.

Instelling van de verticale luchtrichting

Realiseer deze instelling met het apparaat in bedrijf.

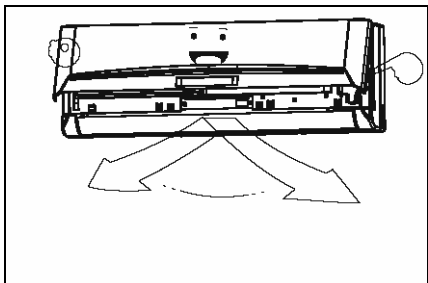
Houdt de knop AIR DIRECTION (luchtrichting) van de afstandbediening ingedrukt om het ventilatieraampje in de correcte richting te doen bewegen.

- Oriënteer de verticale luchtstroom in de gewenste stand.
- Voortaan zal het vertikaal ventilatieraampje zich automatisch plaatsen in de stand die u heeft gekozen door op de knop AIR DIRECTION te drukken.



Horizontale oriëntering van de luchtstroom (links – rechts)

Oriënteer met de hand het vertikaal ventilatieraampje met behulp van het hendeltje dat zich aan de linker- of rechterzijde bevindt (al naargelang het model). Zorg ervoor dat uw vingers niet in de ventilator of in het horizontale ventilatieraampje terechtkomen of het verticale ventilatieraampje beschadigen. Met de airconditioner in bedrijf en het horizontale ventilatieraampje in vaste stand, beweegt u het hendeltje aan de linkerkant (of aan de rechterkant, al naargelang het model) van de luchtuitlaat in de gewenste stand.



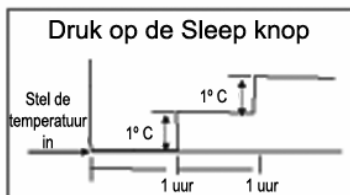
Voor het automatisch doen schommelen van de luchtrichting (boven – beneden)

Stel deze functie in met het apparaat ingeschakeld.

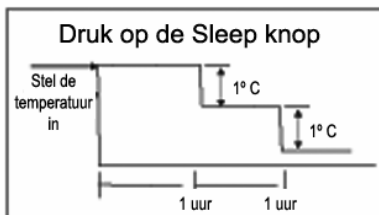
- Druk op de knop SWING (schommeling) van de afstandbediening.
- Teneinde de functie stop te zetten drukt u nogmaals op de knop SWING. Druk op de knop AIR DIRECTION om het raampje vast in de gewenste positie in te stellen.

- De AIR DIRECTION en SWING knoppen werken niet wanneer de airconditioner is uitgeschakeld (zelfs wanneer TIMER ON is ingesteld).
- Laat de airconditioner niet lang aan elkaar draaien met de luchtstroom naar beneden toe gericht wanneer het apparaat is ingesteld in de modus koelen of drogen. Er zou condensatie kunnen ontstaan op het horizontale ventilatieraampje en het water zou op de vloer of op de meubels druppelen.
- Beweeg het horizontale ventilatieraampje niet met de hand. Gebruik steeds de AIR DIRECTION of SWING knoppen. Bij handmatig instellen van het ventilatieraampje zou de airconditioner bij het inschakelen slecht kunnen functioneren. Indien het mechanisme niet werkt, schakel dan onmiddellijk de airconditioner uit en start hem vervolgens opnieuw.
- Wanneer de airconditioner in werking wordt gesteld onmiddellijk nadat hij was uitgeschakeld bestaat de mogelijkheid dat het horizontale ventilatieraampje gedurende ongeveer 10 seconden niet beweegt.
- De openingshoek van het horizontale ventilatieraampje mag niet te klein zijn, aangezien dit het rendement in de modaliteit verwarmen en koelen zou kunnen beïnvloeden tengevolge van een te schaarse luchtstroom.
- Laat de airconditioner niet draaien met het horizontale ventilatieraampje gesloten.
- Wanneer de airconditioner op de stroom wordt aangesloten (initiële aansluiting), kan het horizontale ventilatieraampje gedurende 10 seconden geluiden produceren: dit is normaal.

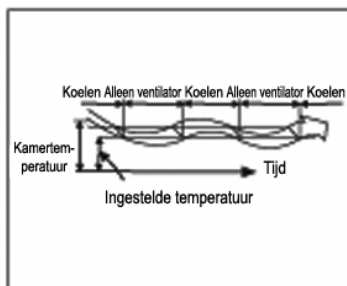
WERKING VAN DE AIRCONDITIONER



Koelen



Verwarmen



Drogen

AUTOMATISCHE WERKING

- In de stand AUTO zal de airconditioner automatisch een modaliteit selecteren: koelen, verwarmen (uitsluitend bij modellen uitgerust met koeling en verwarming) of ventileren, naargelang de gekozen temperatuur en de kamertemperatuur.
- De airconditioner houdt de kamertemperatuur automatisch op een waarde dichtbij de ingestelde waarde.
- Indien de stand AUTO een niet comfortabel is kunt u handmatig de gewenste temperatuur instellen.

SLEEP (NACHT)

Wanneer u op de SLEEP (nacht) knop drukt tijdens het koelen, verwarmen (het model dat uitsluitend koelt is niet van deze functie voorzien) of bij automatische werking zal de airconditioner de temperatuur verhogen (koeling) of verlagen (verwarming) met 1°C per uur. Na twee uur zal de ingestelde temperatuur onveranderlijk blijven. De snelheid van de ventilator wordt automatisch aangepast.

Opmerking: het apparaat schakelt automatisch uit nadat het 7 uur in de SLEEP stand heeft gefunctioneerd.

DROGEN

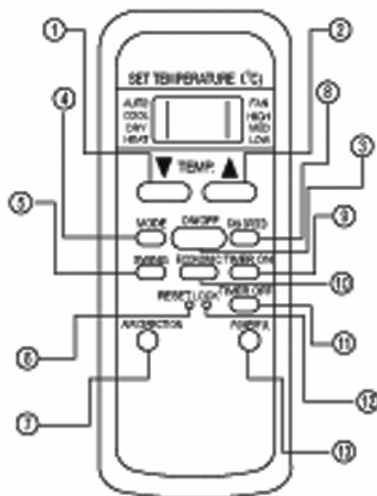
- Als de modaliteit drogen is ingesteld, wordt het drogen automatisch geselecteerd overeenkomstig het verschil tussen de ingestelde temperatuur en de werkelijke temperatuur in de kamer.
- De temperatuur wordt geregeld tijdens de ontvochtiging en schommelt herhaaldelijk tussen koeling en uitsluitend ventilatie. De snelheid van de ventilator is LOW (laag).

Afstandsbediening

Specificaties van de afstandsbediening

Model	R51D/E, R51D/CE
Normale spanning	3,0 V (droge alkalinebatterijen LR03 X 2)
Minimale spanning van de CVE signaalzender	2,0 V
Draagwijdte van het signaal	8 m (bij een spanning van 3,0 is de draagwijdte 11 m)
Gesteldheid van de omgeving	-5 °C ~ 60 °C

Inleiding tot de functieknoppen van de afstandsbediening



Figuur 1

SET TEMPERATURE (°C)	(temperatuur instellen)
AUTO	(automatisch)
FAN	(ventilator)
COOL	(koud)
HIGH	(hoog)
DRY	(drogen)
MED	(midden)
HEAT	(warmte)
LOW	(laag)
▼ TEMP. ▲	verminderen/verhogen temp.
MODE	(modus)
ON/OFF	(in- / uitschakelen)
FAN SPEED	(ventilatorsnelheid)
SWING	(schommeling)
ECONOMIC	(spaarzaam)
TIMER ON	(tijdschakelaar aan)
RESET	(terugstellen)
LOCK	(blokkeren)
TIMER OFF	(tijdschakelaar uit)
AIR DIRECTION	(luchtrichting)
POWERFUL	(krachtig)

- TEMP knop ▼:** Druk op deze knop om de ingestelde binnentemperatuur te verminderen.
- TEMP knop ▲:** Druk op deze knop om de ingestelde binnentemperatuur te verhogen.
- ON/OFF knop:** Druk op deze knop om de unit in werking te stellen. Druk nogmaals op de knop om het apparaat af te zetten.
- MODE selectiekноп:** Telkens wanneer u op deze knop drukt veranderen de diverse modaliteiten van volgorde AUTO COOL DRY HEAT FAN (automatisch, koud, drogen, warmte, ventilatie), zoals is aangegeven in de figuur:

→ AUTO → COOL → DRY → HEAT → FAN →

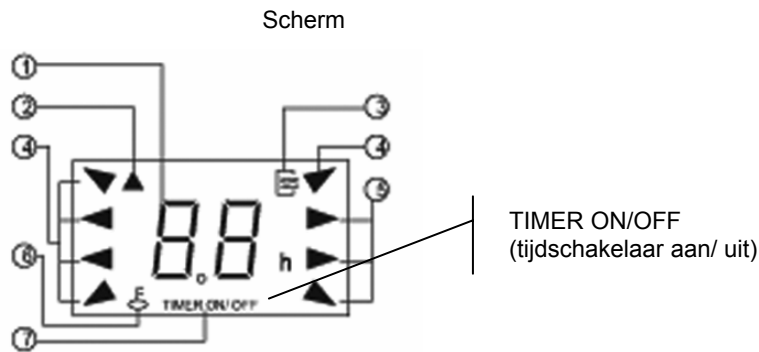
▲ OPMERKING: de modellen uitsluitend uitgerust met koeling zijn niet voorzien van de HEAT.

- SWING knop:** Druk op deze knop om het ventilatieraampje automatisch naar boven en naar beneden te doen bewegen. Druk opnieuw op de knop om de beweging stop te zetten.
- RESET knop:** Wanneer u op de RESET knop drukt worden alle bestaande instellingen gewist en valt de controle weer terug op de in de fabriek ingestelde waarden (om deze knop in te drukken gebruikt u een staafje van 1 mm.)
- AIR DIRECTION knop:** Als u op deze knop drukt wordt het ventilatieraampje vast in de gewenste stand ingesteld. Het ventilatieraampje draait (naar boven of naar beneden) in een bepaalde hoek telkens wanneer u op de knop drukt. Wanneer het ventilatieraampje in een hoek wordt ingesteld waarbij het rendement van het koelen of verwarmen wordt beïnvloed, wordt deze hoek automatisch aangepast (naar boven of naar onder toe).
- SPEED knop:** Met behulp van deze knop wordt de ventilatorsnelheid ingesteld overeenkomstig de volgorde AUTO LOW MED HIGH (automatisch, laag, midden, hoog) en vervolgens weer naar AUTO.
- TIMER ON knop:** Druk op deze knop om de tijd van in werking stelling te programmeren. Telkens wanneer u op de knop drukt maakt het beginuur een sprong van 30 minuten. Wanneer de begintijd 10:00 aangeeft, dan gaat de tijd vooruit met een sprong van 60 minuten telkens wanneer u op de knop drukt. Om het beginuur te annuleren stelt u de knop in op 0:00.

10. **ECONOMIC RUNNING knop (spaarzaam draaien):** Druk op deze knop om de modaliteit energiebesparing in te stellen. Druk nogmaals op de knop om deze modaliteit uit te schakelen.
11. **TIMER OFF knop:** Druk op deze knop om het uur van stopzetten in te stellen. Telkens wanneer u op deze knop drukt, maakt het uur een sprong van 30 minuten. Wanneer de eindtijd 10:00 aangeeft, dan gaat de tijd vooruit met een sprong van 60 minuten telkens wanneer u op de knop drukt. Om de eindtijd te annuleren stelt u de knop in op 0:00.
12. **LOCK knop:** Druk op deze knop om de huidige instellingen te blokkeren. Om de instellingen weer vrij te geven drukt u nogmaals op de knop. (Gebruik een staafje van 1 mm. om de knop in te drukken).
13. **POWERFUL knop:** Druk op deze knop in de modaliteit koelen of verwarmen om een krachtiger werking in te stellen. Om het apparaat weer normaal te doen functioneren drukt u nogmaals op de knop.

Opmerking: De unit keert automatisch weer naar de vorige modus terug nadat het apparaat met krachtkoeling heeft gewerkt.

Benaming en functies van de lampjes op de afstandsbediening



1. **Digitale beeldzone:** Deze zone geeft de temperatuur weer en, indien geprogrammeerd de tijd van in - en uitschakelen. De temperatuur verschijnt automatisch na 5 seconden. Wanneer het apparaat functioneert in de modaliteit "FAN" (ventilator), is deze beeldzone leeg.
2. **Transmissie:** Dit lampje flinkt éénmaal op wanneer de afstandsbediening een signaal naar de interne unit zendt.
3. **Aan / uit:** Dit lampje licht op wanneer de unit wordt aangezet met behulp van de afstandsbediening en dooft weer wanneer de unit wordt uitgeschakeld.
4. **Werkingsmodaliteit:** De huidige werkingsmodaliteit wordt hierna aangeduid: "AUTO", "COOL", "DRY", "HEAT", "FAN". HEAT verschijnt uitsluitend bij modellen voorzien van een hittepomp.
5. **Snelheid van de ventilator:** Druk op de FAN SPEED knop om de gewenste ventilatorsnelheid in te stellen (Auto-Low-Med-High). De gekozen waarde verschijnt in het LCD vakje, behalve wanneer Auto is ingesteld.
6. **Blokkering:** Dit symbool licht op wanneer u drukt op de LOCK knop en verdwijnt wanneer u er nogmaals op drukt.
7. **Geprogrammeerde tijd voor in - en uitschakelen:** Hier verschijnen diverse geprogrammeerde tijden voor in- en uitschakeling. Indien alleen de begintijd is ingeschakeld, zal TIMER ON verschijnen. Indien alleen de eindtijd is ingeschakeld zal TIMER OFF verschijnen. Indien beide waarden zijn geprogrammeerd verschijnt TIMER ON/OFF, wat betekent dat zowel de begin- als de eindtijd is ingesteld.

⚠️ OPMERKING: *Op figuur 2 verschijnen alle tekens ten behoeve van de duidelijkheid. In de werkelijkheid verschijnen slechts de functionele elementen die overeenstemmen met de desbetreffende verrichting.*

Gebruik van de afstandsbediening

Het plaatsen en vervangen van de batterijen

De afstandsbediening functioneert op twee droge alkalinebatterijen (LR03X2).

1. Om de batterijen te introduceren schuift u het deksel van de batterijhouder naar achter en plaatst u de batterijen in de richting (+en -) die op de afstandsbediening is aangegeven.
2. Herhaal dezelfde handeling om de lege batterijen te vervangen.

AUTOMATISCH FUNCTIONEREN

Wanneer de airconditioner klaar is om in werking te worden gesteld schakelt u hem in: het lampje op het paneel van de interne unit begint te flikkeren.

1. Gebruik de knop voor modaliteitkeuze en selecteer AUTO.
2. Druk op de TEMP knop om de gewenste kamertemperatuur in te stellen. De meest comfortabele waarden liggen tussen de 21 °C en 28 °C.
3. Druk op de ON/OFF knop om de airconditioner aan te zetten. Het lampje op het paneel van de interne unit dat aangeeft dat het apparaat in werking is licht op. Het apparaat functioneert in de modus AUTO; de snelheid van de ventilator wordt automatisch ingesteld en er verschijnen geen symbolen op het scherm van de afstandsbediening.
4. Druk nogmaals op de ON/OFF knop om het apparaat af te zetten.

OPMERKING

1. *Wanneer het op AUTO is ingesteld kan de airconditioner één van de volgende modaliteiten kiezen: koeling, ventilatie, verwarming of ontvochtiging, afhankelijk van het temperatuurverschil tussen de reële kamertemperatuur en de temperatuur die op de afstandsbediening is ingesteld.*
2. *Indien u zich bij AUTO niet lekker voelt, kunt u handmatig de gewenste temperatuur selecteren.*

Koeling / verwarming (niet aanwezig bij modellen die uitsluitend voorzien zijn van koeling) en alleen ventilator

1. Indien u zich bij AUTO niet lekker voelt kunt u handmatig overgaan tot de modaliteiten COOL, HEAT of FAN ONLY.
2. Druk op de TEMP knop om de gewenste kamertemperatuur in te stellen. In de COOL modus zijn de meest comfortabele waarden 21 °C of meer. In de HEAT modus, zijn de meest comfortabele waarden 28 °C of minder.
3. Activeer FAN SPEED om de ventilatorsnelheid aan te passen aan de waarden auto, hoog, midden o laag.
4. Druk op de ON/OFF knop; er gaat een lampje branden en de airconditioner treedt in werking in de geselecteerde modus. Druk nogmaals op ON/OFF om de unit uit te schakelen.

OPMERKING

Bij de FAN ONLY modus kan de temperatuur niet worden gecontroleerd. Zolang het apparaat in deze stand functioneert kunnen uitsluitend de stappen 1, 3 en 4 worden uitgevoerd.

Ontvochtiging

1. Druk op de MODE knop om DRY te selecteren.
2. Druk op de TEMP knop om de gewenste temperatuur tussen 21 °C en 28 °C in te stellen.
3. Druk op de ON/OFF knop; het lampje dat aangeeft dat het apparaat in werking is licht op en de airconditioner start in de DRY modus (ontvochtiging). De ventilator draait op een lage snelheid (LOW). Druk nogmaals op de ON/OFF knop om de unit uit te schakelen.

OPMERKING

Afhankelijk van het verschil tussen de ingevoerde temperatuur en de werkelijke kamertemperatuur, zal de airconditioner ingesteld in de DRY modus, herhaaldelijk overspringen op COOL en FAN.



Functioneren met tijdschakelaar

De TIMER ON knop dient om de inschakelingstijd van de unit in te stellen. De TIMER OFF knop stelt de eindtijd in.

1. Om de begintijd in te stellen.

- 1.1 Wanneer u drukt op TIMER ON zal op de afstandsbediening TIMER ON verschijnen, alsmede de laatst ingestelde begintijd en het signaal "h" in het gedeelte van de digitale tekens. Nu kunt u de begintijd programmeren.
- 1.2 Druk nogmaals op TIMER ON teneinde de begintijd in te stellen.
- 1.3 Nadat u op TIMER ON heeft gedrukt, duurt het een halve seconde voor de afstandsbediening het signaal heeft overgebracht op de airconditioner. Na twee seconden verdwijnt het signaal "h" en verschijnt de ingestelde temperatuur opnieuw op het scherm.

2. Om de eindtijd in te stellen.

- 2.1 Wanneer u drukt op TIMER OFF zal op de afstandsbediening TIMER OFF verschijnen, alsmede de laatst ingestelde eindtijd en het signaal "h" in het gedeelte van de digitale tekens. Nu kunt u de eindtijd programmeren.
- 2.2 Druk nogmaals op TIMER OFF teneinde de eindtijd in te stellen.
- 2.3 Nadat u op TIMER OFF heeft gedrukt duurt het een halve seconde voor de afstandsbediening het signaal heeft overgebracht op de airconditioner. Na 2 seconden verdwijnt het signaal "h" en verschijnt de ingestelde temperatuur opnieuw op het scherm.

3. Om de begin- en eindtijd in te stellen.

- 3.1 Druk op TIMER ON; op de afstandsbediening zal TIMER ON verschijnen, alsmede de laatst ingestelde begintijd en het signaal "h" in het gedeelte van de digitale tekens. Nu kunt u de begintijd programmeren.
- 3.2 Druk nogmaals op TIMER ON teneinde de begintijd in te stellen.
- 3.3 Druk op TIMER OFF; op de afstandsbediening zal TIMER OFF verschijnen, alsmede de laatst ingestelde eindtijd en het signaal "h" in het gedeelte van de digitale symbolen. Nu kunt u de eindtijd programmeren.
- 3.4 Druk nogmaals op TIMER OFF teneinde de eindtijd in te stellen.
- 3.5 Wanneer het instellen is voltooid, duurt het een halve seconde voor de afstandsbediening het signaal heeft overgebracht op de airconditioner. Na 2 seconden verdwijnt het signaal "h" en verschijnt de digitaal ingestelde temperatuur.

Wijziging van de ingestelde tijden

Teneinde de begin- of eindtijd te wijzigen drukt u eenvoudig op de desbetreffende knop van de tijdschakelaar en stelt u de gewenste waarden in.

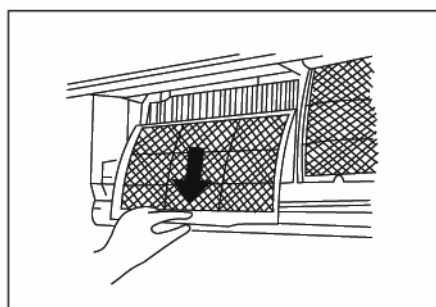
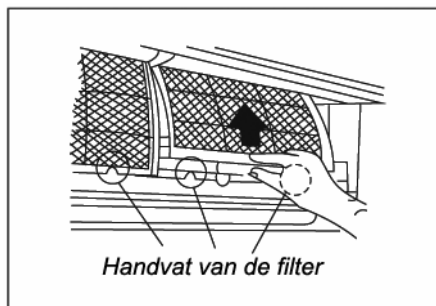
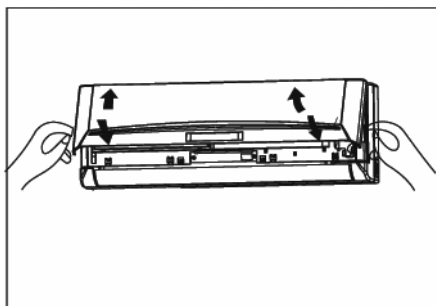
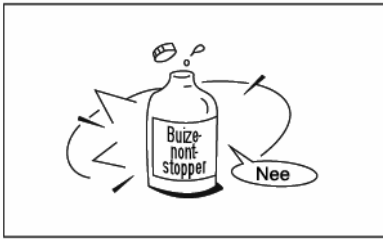
OPMERKING

Het ingestelde uur is relatief, d.w.z. het wordt gedefinieerd met betrekking tot de huidige tijd.

Belangrijk

1. Zorg ervoor dat er zich geen voorwerpen bevinden tussen de afstandsbediening en de ontvanger op de interne unit, anders werkt de airconditioner niet optimaal.
2. Houd de afstandsbediening ver verwijderd van vloeistoffen.
3. Bescherm de afstandsbediening van hoge temperaturen en straling.
4. Om een correcte respons te geven op het signaal van de afstandsbediening mag ontvanger op de interne unit niet rechtsreeks zijn blootgesteld aan het zonlicht.
5. Stel de afstandsbediening niet bloot aan elektromagnetische invloeden, veroorzaakt door andere huishoudelijke apparaten.
6. Bij het vervangen van de batterijen neemt u geen gebruikte batterijen of batterijen van een ander type. De afstandsbediening zou niet correct functioneren.
7. Indien u de afstandsbediening verschillende weken niet gaat gebruiken, haalt u de batterijen eruit. Zo voorkomt u dat toestel beschadigd wordt tengevolge van het lekken van de batterijvloeistof.
8. De gemiddelde levensduur van de batterijen is onder normale omstandigheden ongeveer 6 maanden.
9. Vervang de batterijen wanneer u een fluittoon hoort als respons van de interne unit of wanneer het transmissielampje niet meer brandt.

ONDERHOUD



⚠ WAARSCHUWING

Zet de airconditioner af en trek de stekker uit het stopcontact vóór u met het schoonmaken begint.

Schoonmaken van de interne unit en van de afstandsbediening

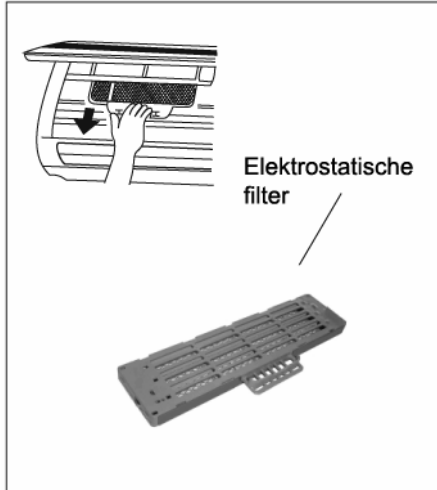
⚠ BELANGRIJK

- Maak de interne unit en de afstandsbediening schoon met een droog doek.
- Indien de interne unit erg vervuild is kunt u het doek met koud water bevochtigen.
- Het frontpaneel van de interne unit kan gedemonteerd worden en met water schoongemaakt. Droog het af met behulp van een doek.
- Maak de unit niet schoon met behulp van doeken behandeld met chemische of stofabsorberende producten.
- Gebruik geen benzine, oplosmiddel, polijstpoeder of gelijkaardige producten om het apparaat te reinigen. Deze kunnen de plastic oppervlakken doen barsten of vervormen.

Schoonmaken van de luchtfilter

Een vervuilde luchtfilter vermindert het koelrendement van de unit. Reinig de filter om de 2 weken.

1. Til het paneel van de interne unit op tot het klikt.
2. Til de luchtfilter iets omhoog met behulp van het handvat, haal hem uit de filterhouder en trek hem naar beneden.
3. Haal de luchtfilter uit de interne unit.
 - Maak de luchtfilter om de twee weken schoon.
 - Maak de luchtfilter schoon met behulp van een stofzuiger of water, en laat hem dan drogen op een koele plaats.



4. Haal de elektrostatische filter uit het frame zoals is afgebeeld op de figuur aan de linkerzijde (niet van toepassing op de units die niet zijn voorzien van een elektrostatische filter).

⚠ Raak de elektrostatische filter niet aan de eerste 10 minuten nadat u het inlaatrooster heeft geopend. Er bestaat kans op elektrische schokken.

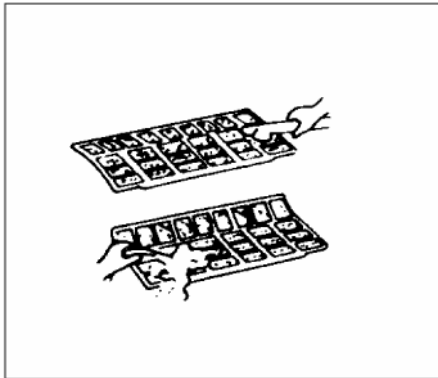
- Reinig de elektrostatische filter met behulp van een zacht reinigingsmiddel of met water en laat hem gedurende twee uur in het zonlicht drogen.
- Vóór u de filter weer monteert, verifieert u of de kroonlijn of het frame is beschadigd.

5. Plaats de luchtvernieuwende filter weer op zijn plaats.
6. Breng het bovenste gedeelte van de filter in de unit. Zorg ervoor dat de linker- en rechterzijde op éénzelfde lijn liggen en duw de filter op zijn plaats.

Onderhoud

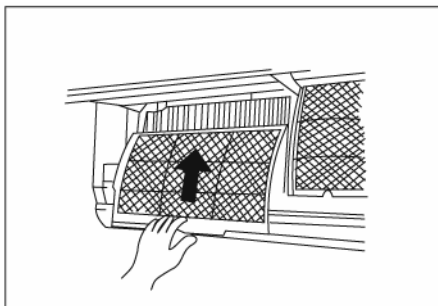
Indien de unit enige tijd niet wordt gebruikt gaat u als volgt te werk:

- (1) Laat de ventilator gedurende een halve dag draaien om de binnenzijde van de unit te drogen.
- (2) Zet de airconditioner af en haal de stekker uit het stopcontact. Haal de batterijen uit de afstandsbediening.
- (3) De externe unit vereist periodiek onderhoud en schoonmaak. Probeer het niet zelf uit te voeren. Bel de dealer of de technische dienst op.



Toetsingen alvorens in te schakelen.

- Controleer of de kabels aangesloten en niet beschadigd zijn.
- Controleer of de luchtfilter is geïnstalleerd.
- Indien de airconditioner een langere periode niet heeft gefunctioneerd, controleer dan of de toevoer en uitlaat niet geblokkeerd zijn.



⚠ **BELANGRIJK**

- Raak de metalen onderdelen niet aan wanneer u de filter verwijdert. De scherpe metalen randen kunnen verwondingen veroorzaken.
- Reinig de binnenzijde van de airconditioner niet met water. Blootstelling aan water kan de isolering vernielen en elektrische schokken veroorzaken.
- Vóór u de unit reinigt sluit u de stroom en de stroomonderbreker af.

TIPS VOOR GEBRUIK

De hierna beschreven omstandigheden kunnen zich tijdens een normaal bedrijf van het apparaat voordoen.

1. Bescherming van de airconditioner.

Bescherming van de compressor

- De compressor kan na afzetten niet meteen op gang worden gebracht. Wacht tot er 3 minuten zijn verstreken nadat de unit is afgezet.

Bescherming tegen koude lucht (uitsluitend bij modellen uitgerust met koeling en verwarming)

- De unit werd ontworpen om geen koude lucht te produceren in de modus verwarming indien de warmteuitwisselaar in één van de drie volgende toestanden verkeert en de ingestelde temperatuur niet is bereikt:
 - A) Wanneer de verwarming pas is aangezet.
 - B) Wanneer de unit ontdooit
 - C) Bij verwarming onder lage temperaturen.
- De interne en externe ventilatoren stoppen wanneer de unit aan het ontdooien is (uitsluitend bij apparaten voorzien van koeling en verwarming). Ontdooiing (uitsluitend bij modellen met koeling en verwarming).
- Er kan ijsvorming op de externe unit voorkomen tijdens de warmtecyclus wanneer de buitentemperatuur laag is en de vochtigheidsgraad hoog. Dit vertaalt zich in een lager rendement van de airconditioner wanneer de modus verwarming is ingesteld.
- In deze toestand zal de airconditioner de verwarming stopzetten en automatisch beginnen te ontdooien.
- Het ontdooien duurt van 4 tot 10 minuten, afhankelijk van de buitentemperatuur en de hoeveelheid ijs die zich in de externe unit bevindt.

2. De externe unit stoot een witte nevel uit

- Bij koeling kan er een witte damp ontstaan indien het temperatuurverschil tussen de inkomende en uitgaande lucht groot is en de relatieve vochtigheid van de omgeving hoog is.
- Er kan eveneens witte damp ontstaan tengevolge van het vocht dat tijdens het ontdooien vrijkomt wanneer de airconditioner opnieuw in de modus verwarming wordt gestart.

3. De airconditioner maakt een laag geluid

- Een licht gesis kan worden waargenomen wanneer de airconditioner functioneert of onmiddellijk nadat het apparaat is uitgezet. Dit is het geluid van het koelmiddel dat door de unit stroomt of ophoudt te stormen.
- Bovendien kan een licht gekraak worden waargenomen wanneer de airconditioner draait of onmiddellijk nadat hij is stopgezet. Dat komt omdat de plastic componenten van de unit bij temperatuurschommelingen dilateren door de warmte en krimpen door de koude.
- Ook het ventilatieraampje maakt geluid wanneer het weer in de primitieve stand terugkeert bij het starten van de unit.

4. De interne unit stoot stof uit.

Dit is normaal wanneer u het apparaat voor het eerst gebruikt of wanneer de airconditioner na een lange periode weer in bedrijf wordt gesteld.

5. De interne unit geeft een eigenaardige geur af.

Deze geuren ontstaan omdat er door de interne unit stoffen gaan die door bouwmaterialen, meubilair of rook worden afgegeven.

6. De airconditioner gaat over op ventilatie vanuit de modi koeling of verwarming (uitsluitend bij modellen voorzien van koeling en verwarming).

Wanneer de binnentemperatuur de ingestelde temperatuur bereikt stopt de compressor automatisch en gaat de unit automatisch over op de modus FAN ONLY (alleen ventilator). De compressor zal weer in gang komen wanneer de temperatuur stijgt bij koeling of daalt bij verwarming (uitsluitend bij modellen die voorzien zijn van verwarming en koeling).

7. Er kan water uit de interne unit druppelen wanneer het apparaat in de modus koeling draait en de omgeving uitermate vochtig is (relatieve vochtigheidsgraad van meer dan 80 %). Stel het horizontale ventilatieraampje in een stand dat de uitgaande luchtstroom maximaal is en zet de ventilator in op de hoogste snelheid.

8. Verwarming (uitsluiten voor modellen voorzien van koeling en verwarming)

Bij verwarming haalt de airconditioner warmte uit de externe unit en laat deze warmte binnenshuis vrij. Wanneer buiten de temperatuur laag is, verlaagt eveneens de warmte die door de airconditioner wordt afgegeven. Tegelijkertijd verhoogt de belasting van het apparaat tengevolge van het grotere temperatuurverschil tussen binnen en buiten. Indien er geen comfortabele temperatuur kan worden bereikt, dan stellen wij voor een bijkomend verwarmingsapparaat te gebruiken.

9. Functie automatisch herstarten

Een stroomonderbreking tijdens het draaien kan het stilvallen van de gehele unit tot gevolg hebben.

Indien de unit niet voorzien is van een automatische herstarter, zal het lampje van de interne unit beginnen te flinkeren wanneer de stroom weer terugkomt. Druk op ON/OFF van de afstandsbediening om het apparaat weer op gang te brengen. Indien de unit is uitgerust met een automatische herstarter, zal het apparaat automatisch herstarten overeenkomstig ingestelde waarden die zich in het geheugen bevinden.

10. Stralen en mobiele telefoons in de nabijheid kunnen de werking van het apparaat negatief beïnvloeden. Schakel het apparaat uit en zet het vervolgens weer aan. Druk op ON/OFF van de afstandsbediening om het apparaat weer in te schakelen.

Tips voor het checken van storingen

Defecten en oplossingen

Indien er zich één van de hierna beschreven storingen voordoet, stopt u meteen de airconditioner. Onderbreek de elektrische stroom en bel de dichtstbijzijnde technische dienst.	
Probleem	Het lampje dat aangeeft dat het apparaat in bedrijf is of een ander lampje flinkt snel (5 maal per seconde) en dit flikkeren stopt niet wanneer de stroomtoevoer eerst wordt uitgeschakeld en daarna weer wordt hersteld.
	De zekering is verbrand of de stroomonderbreker springt herhaaldelijk af.
	Er is water of een ander voorwerp in de unit gekomen.
	De afstandsbediening werkt niet of slecht.
	Andere afwijkende situaties.

Storing	Oorzaak	Wat te doen?
De unit komt niet op gang	Stroomonderbreking	Wacht tot de stroomtoevoer wordt hersteld
	De unit kan uitgeschakeld zijn.	Controleer of de stekker correct in het stopcontact steekt.
	Er kan een zekering gesmolten zijn.	Vervang de zekering
	De batterijen van de afstandsbediening kunnen leeg zijn.	Vervang de batterijen
	Het ingestelde uur is niet correct	Wacht of annuleer de instelling van de tijdschakelaar
De unit zorgt niet voor voldoende afkoeling of verwarming van de kamer (uitsluitend bij modellen uitgerust met verwarming en koeling) ondanks het feit dat er lucht uit de airconditioner stroomt	De ingestelde temperatuur is niet juist	Stel de temperatuur correct in
	De luchtfilter is bevuild	Reinig de luchtfilter
	Deuren of ramen staan open	Sluit deuren en ramen
	De luchttoevoer of -uitlaat is belemmerd bij de interne of externe unit	Verwijder eventuele belemmeringen en start de unit opnieuw
	De 3 minuten bescherming van de compressor is geactiveerd	Wacht
Indien het probleem niet kan worden opgelost belt u naar uw dealer of de dichtstbijzijnde technische dienst. nauwgezet de storing en geef het model op.		

Opmerkingen: Probeer het apparaat niet zelf te repareren.

Doe steeds beroep op een erkende technische service.



PORTUGUÊS

ÍNDICE

PRECAUÇÕES DE SEGURANÇA	1
NOMES DAS PEÇAS	4
FUNCIONAMENTO MANUAL	5
FUNCIONAMENTO IDEAL	5
REGULAR A DIRECÇÃO DO FLUXO DE AR.....	6
FUNCIONAMENTO DO AR CONDICIONADO.....	7
ESPECIFICAÇÕES DO COMANDO À DISTÂNCIA.....	8
INTRODUÇÃO AOS BOTÕES DE FUNÇÕES NO COMANDO À DISTÂNCIA.....	8
NOMES E FUNÇÕES DOS INDICADORES NO COMANDO À DISTÂNCIA.....	9
FUNCIONAMENTO DO COMANDO À DISTÂNCIA	10
MANUTENÇÃO.....	12
SUGESTÕES DE FUNCIONAMENTO	14
SUGESTÕES DE RESOLUÇÃO DE PROBLEMAS.....	16

Leia Este Manual

Neste manual encontrará muitas sugestões úteis acerca de como utilizar e manter o seu ar condicionado correctamente. Uma pequena manutenção preventiva na sua peça pode poupar-lhe muito tempo e dinheiro durante a vida do aparelho de ar condicionado. Encontrará muitas respostas para problemas comuns na tabela de sugestões de resolução de problemas. Se estudar primeiro a tabela de Sugestões de Resolução de Problemas poderá não necessitar de chamar a assistência técnica.

CUIDADO

- Confie as operações de reparação ou manutenção desta unidade a um técnico de assistência autorizado. A instalação desta unidade deve ser feita por um instalador.
- O ar condicionado não se destina a ser utilizado por crianças ou inválidos sem vigilância.
- As crianças deverão ser vigiadas para garantir que não brincam com o ar condicionado.
- Se for necessário substituir o fio de alimentação, o trabalho de substituição deverá ser feito apenas por pessoal autorizado.
- O trabalho de instalação tem de ser realizado de acordo com as normas de ligação nacionais apenas por pessoal autorizado.

Precauções de Segurança

Para evitar ferimentos no utilizador ou noutras pessoas e danos na unidade é necessário seguir as instruções seguintes.

O funcionamento incorrecto devido ao incumprimento das instruções pode causar ferimentos ou danos. A gravidade está classificada de acordo com as indicações seguintes.

ADVERTÊNCIA	Este símbolo indica a possibilidade de morte ou ferimento grave.
CUIDADO	Este símbolo indica a possibilidade de ferimento ou danos na unidade.

- Os significados dos símbolos utilizados neste manual são mostrados abaixo.

	Nunca faça isto.
	Faça sempre isto.

ADVERTÊNCIA

Ligue à alimentação correctamente.

- Caso contrário, poderá causar choque eléctrico ou incêndio devido à geração de calor excessivo.

Não altere o comprimento do fio de alimentação nem partilhe a tomada com outros aparelhos

- Poderá causar choque eléctrico ou incêndio devido à geração de calor.

Certifique-se sempre de que dispõe de uma boa tomada de terra.

- A falta de ligação à terra poderá causar choque eléctrico.

Desligue a alimentação se se produzirem ruídos estranhos, odores ou se sair fumo.

- Poderá causar incêndio e choque eléctrico.

Mantenha as armas de fogo afastadas.

- Poderá causar incêndio.

Ventile a divisão antes de colocar o ar condicionado em funcionamento se houver uma fuga de gás de outro aparelho.

- Poderá causar explosão, incêndio e queimaduras.

Não coloque a unidade em funcionamento nem a pare inserindo ou puxando a ficha.

- Poderá causar choque eléctrico ou incêndio devido à geração de calor.

Não coloque a unidade em funcionamento com as mãos molhadas nem num ambiente húmido.

- Poderá causar choque eléctrico.

Não deixe que entre água nas partes eléctricas.

- Poderá causar falha da máquina ou choque eléctrico.

Não utilize a tomada se estiver solta ou danificada.

- Poderá causar incêndio e choque eléctrico.

Não utilize o fio de alimentação perto de aparelhos de aquecimento.

- Poderá causar incêndio e choque eléctrico.

Não danifique o fio de alimentação nem utilize um não especificado.

- Poderá causar choque eléctrico ou incêndio.

Não dirija o fluxo de ar apenas para os ocupantes.

- Isto poderá prejudicar a sua saúde.

Instale sempre um disjuntor e um circuito de alimentação dedicado.

- A falta de instalação poderá causar choque eléctrico ou incêndio.

Não abra a unidade durante o funcionamento.

- Poderá causar choque eléctrico.

Não utilize o fio de alimentação perto de gás inflamável nem de combustíveis, como gasolina, benzina, diluente, etc.

- Poderá causar uma explosão ou incêndio.

Não desmonte nem modifique a unidade.

- Poderá causar falha e choque eléctrico.

 **CUIDADO**

⊗ Quando for necessário retirar o filtro do ar, não toque nas partes metálicas da unidade.

- Poderá causar ferimentos.

⊗ Não limpe o ar condicionado com água.

- A água pode entrar na unidade e degradar o isolamento. Poderá causar um choque eléctrico.

⊗ Ventile bem a divisão quando o utilizar juntamente com um recuperador de calor, etc.

- Pode ocorrer falta de oxigénio.

⊗ Quando for necessário limpar a unidade, desligue-a e desligue também o disjuntor.

- Não limpe a unidade quando a alimentação estiver ligada uma vez que poderá causar incêndio, choque eléctrico e ferimentos.

⊗ Não exponha animais de estimação nem plantas ao fluxo de ar directo.

- Isto poderá lesionar o animal ou a planta.

⊗ Não utilize para fins especiais.

- Não utilize este ar condicionado para conservar dispositivos de precisão, alimentos, animais, plantas e objectos de arte. Poderá causar a deterioração da qualidade, etc.

⊗ Pare o funcionamento e feche a janela se houver uma tempestade ou um furacão.

- O funcionamento com as janelas abertas pode fazer com que o interior e o mobiliário fiquem molhados.

⊗ Segure a ficha pela cabeça quando a retirar.

- Se não o fizer, poderá causar choque eléctrico e danos.

⊗ Desligue o interruptor de alimentação principal quando não pretender utilizar a unidade durante um longo período de tempo.

- Poderá causar falha do produto ou incêndio.

⊗ Não coloque obstáculos em volta das entradas de ar nem no interior da saída do ar.

- Poderá causar falha do produto ou acidente.

⊗ Certifique-se de que o suporte de instalação da unidade exterior não está danificado devido a exposição prolongada.

- Se o suporte estiver danificado, há o perigo de ocorrerem danos devidos à queda da unidade.

⊗ Insira sempre os filtros firmemente. Limpe o filtro cada duas semanas.

- O funcionamento sem filtros pode causar falha.

⊗ Não utilize detergente forte como cera ou diluente. Para limpar utilize um pano macio.

- A aparência poderá ficar deteriorada devido à alteração da cor do produto ou a arranhões na superfície.

⊗ Não coloque um objecto pesado sobre o fio de alimentação e tenha cuidado para que não fique comprimido.

- Há o perigo de incêndio ou choque eléctrico.

⊗ Não beba a água drenada do ar condicionado.

- Contém contaminantes e poderá ficar doente.

⊗ Tenha cuidado quando desembalar e instalar. As extremidades afiadas podem causar ferimentos.

⊗ Se entrar água na unidade, desligue-a na tomada de corrente e desligue o disjuntor. Isole a alimentação retirando a ficha de alimentação e contacte um técnico de assistência qualificado.

Antes da colocação em funcionamento

1. Contacte um instalador especializado para fazer a instalação.
2. Certifique-se de que a unidade é ligada à terra eficazmente.
3. Não utilize um fio de alimentação danificado ou não normalizado.
4. Não partilhe a mesma tomada com outros aparelhos.
5. Não utilize uma extensão.
6. Não inicie/pare o funcionamento desligando a alimentação eléctrica.

Utilização

1. A exposição directa ao fluxo de ar durante um longo período de tempo pode ser perigosa para a sua saúde. Não exponha pessoas, animais nem plantas ao fluxo de ar directo durante longos períodos de tempo.
2. Devido à possibilidade de deficiência de oxigénio, ventile a divisão quando o ar condicionado for utilizado em conjunto com recuperadores de calor ou outros dispositivos de aquecimento.
3. Não utilize este ar condicionado para fins especiais não especificados (por ex., conservar dispositivos de precisão, alimentos, animais, plantas e objectos de arte). A utilização em tais condições pode ser prejudicial.

Limpeza e manutenção

1. Não toque nas partes metálicas da unidade quando retirar o filtro. Podem ocorrer ferimentos ao manusear extremidades metálicas afiadas.
2. Não utilize água para limpar o interior do ar condicionado. A exposição à água pode destruir o isolamento, conduzindo a possível choque eléctrico.
3. Ao limpar a unidade, certifique-se primeiro de que a alimentação e o disjuntor estão desligados.

Assistência

A reparação e a manutenção devem ser feitas pelo seu concessionário de assistência autorizado.

Temperatura de funcionamento

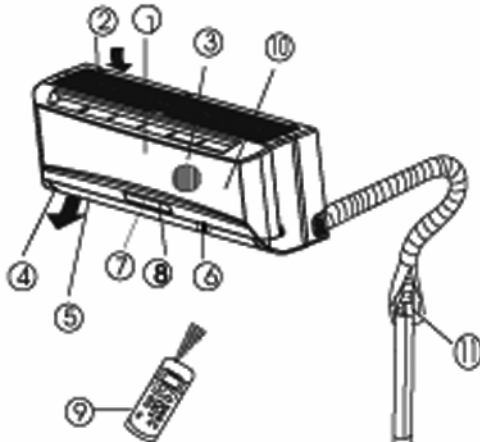
Modo	Refrigeração	Aquecimento	Desumidificação
Temperatura ambiente	17° C ~ 32° C	17° C ~ 30° C	17° C ~ 32° C
Temperatura exterior	18° C ~ 43° C	-7 °C ~ 24 °C	18 °C ~ 43 °C

CUIDADO:

1. Se o ar condicionado for utilizado fora das condições acima, algumas funções de protecção de segurança podem entrar em funcionamento e fazer com que a unidade funcione anormalmente.
2. Humidade relativa ambiente inferior a 80%. Acima desta temperatura, pode formar-se condensação na superfície do ar condicionado. Por favor, regule o deflector do fluxo de ar para o seu ângulo máximo (verticalmente para o chão), e regule para a velocidade máxima (HIGH).
3. O rendimento ideal será conseguido dentro desta temperatura de funcionamento.

NOMES DAS PEÇAS

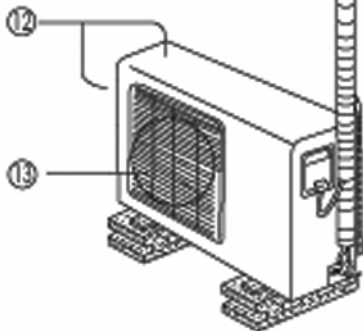
Unidade interior



Unidade interior

1. Painel frontal
2. Entrada do ar
3. Filtro do ar
4. Saída do ar
5. Grelha de fluxo de ar horizontal
6. Deflector de fluxo de ar vertical
7. Painel do visor
8. Receptor de sinal do comando à distância
9. Comando à distância
10. Botão de controlo manual

Unidade exterior



Unidade exterior

11. Tubo de ligação, mangueira de drenagem
12. Entrada do ar (lateral e traseira)
13. Saída do ar

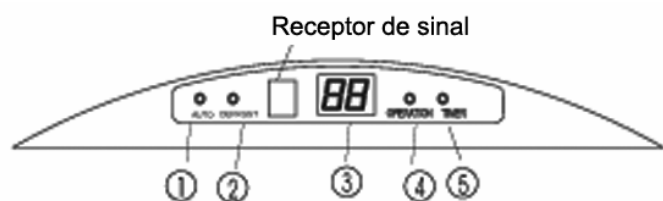
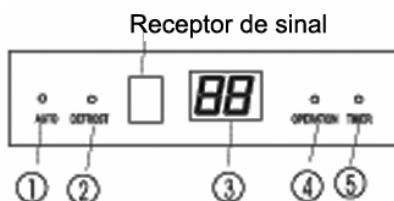
As luzes do indicador de funcionamento piscam rapidamente (cinco vezes por segundo.) quando as funções de protecção de segurança entram em funcionamento.

Nota:

Todas as imagens neste manual destinam-se apenas a fins explicativos. Podem ser ligeiramente diferentes das do ar condicionado que adquiriu (dependendo do modelo). A forma real é que prevalecerá.

Indicadores de funcionamento no painel do visor da unidade interior

O painel do visor da unidade interior terá o aspecto de uma das seguintes imagens:



1. Indicador AUTO (AUTOMÁTICO)

Este indicador acende-se quando o ar condicionado está no funcionamento AUTO.

2. Indicador DEFROST (DESCONGELAR) (Apenas para modelos de Refrigeração e Aquecimento)

Este indicador acende-se quando o ar condicionado começa a descongelar automaticamente ou quando a função de controlo de ar quente é activada no modo de aquecimento.

3. Indicador TEMPERATURE (TEMPERATURA)

Exibe as definições da temperatura quando o ar condicionado está a funcionar.

4. Indicador OPERATION (FUNCIONAMENTO)

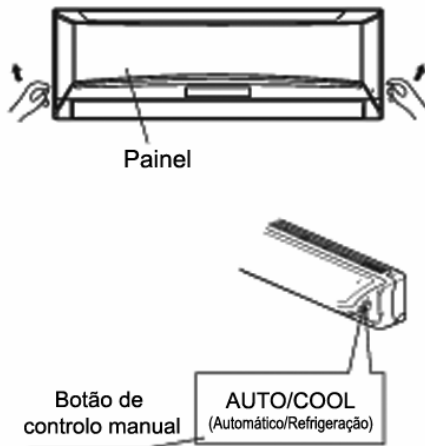
Este indicador pisca depois de ligar a alimentação e acende-se quando a unidade está a funcionar.

5. Indicador TIMER (TEMPORIZADOR)

Este indicador acende-se quando o TIMER está programado para LIGAR/DESLIGAR.

FUNCIONAMENTO MANUAL

O funcionamento manual pode ser utilizado temporariamente no caso de não encontrar o comando à distância ou no caso de as pilhas estarem gastas.



1. Abra e levante o painel frontal até um ângulo em que fique fixo com um estalido.
2. Pressionando uma vez o botão de controlo manual iniciará do funcionamento AUTO (AUTOMÁTICO) forçado.
3. Feche o painel firmemente na sua posição original.

CUIDADO:

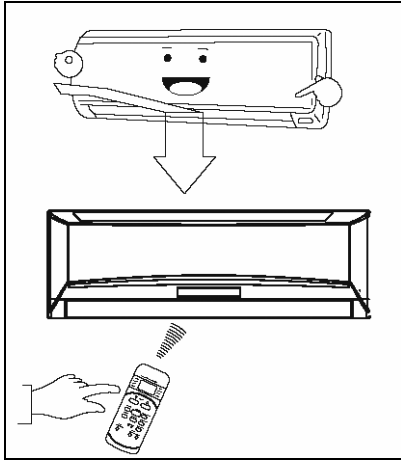
- Sempre que pressionar o botão manual, o modo de funcionamento muda de acordo com a ordem seguinte: AUTO (AUTOMÁTICO), COOL (REFRIGERAÇÃO), OFF (DESLIGADO).
- Pressione o botão duas vezes para a unidade entrar no modo de funcionamento COOL forçado. Este utiliza-se apenas para fins de teste.
- Se pressionar uma terceira vez parará o funcionamento e desligará o ar condicionado.
- Para restaurar o funcionamento do comando à distância utilize-o directamente.

FUNCIONAMENTO IDEAL

Para conseguir o funcionamento ideal, por favor, considere o seguinte:

- Regule a direcção do fluxo de ar correctamente para que não fique direccionado para as pessoas.
- Regule a temperatura para conseguir o nível de conforto mais elevado. Não regule a unidade para níveis de temperatura excessivos.
- Feche as portas e as janelas nos modos COOL ou HEAT (AQUECIMENTO) para não reduzir o rendimento.
- Utilize o botão TIMER ON (TEMPORIZADOR LIGADO) no comando à distância para seleccionar uma hora a que deseja ligar o ar condicionado.
- Não coloque quaisquer objectos perto da entrada ou da saída do ar uma vez que isto poderá reduzir a eficiência do ar condicionado e parar o seu funcionamento.
- Limpe o filtro do ar periodicamente, caso contrário, o rendimento da refrigeração ou do aquecimento poderá ficar reduzido.
- Não coloque a unidade em funcionamento com o deflector horizontal na posição de fechado.

REGULAR A DIRECÇÃO DO FLUXO DE AR



- Regule a direcção do fluxo de ar correctamente para evitar causar desconforto ou temperaturas ambiente irregulares.
- Regule o deflector horizontal utilizando o comando à distância.
- Regule o deflector vertical manualmente.

Regular a Direcção do Fluxo de Ar Vertical (para cima – para baixo)

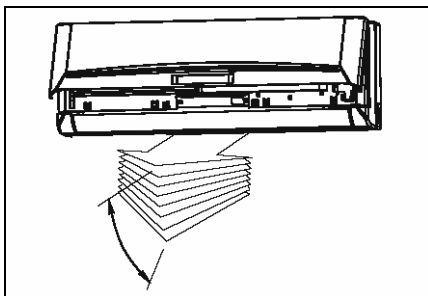
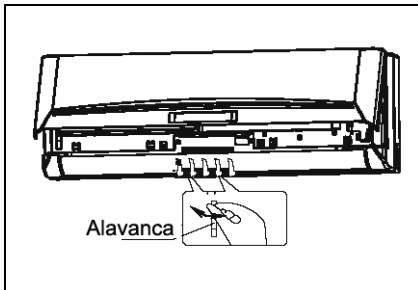
O ar condicionado regula automaticamente a direcção do fluxo de ar vertical de acordo com o modo de funcionamento.

Para regular a direcção do fluxo do ar vertical

Efectue esta função durante o funcionamento da unidade.

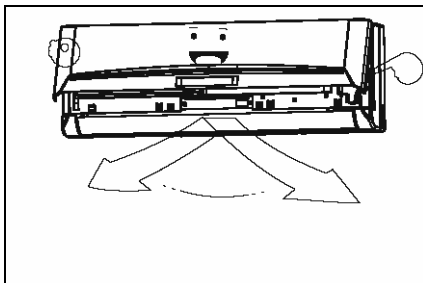
Continue a pressionar o botão AIR DIRECTION (DIRECÇÃO DO AR) no comando à distância para deslocar o deflector para a direcção desejada.

- Regule a direcção do fluxo de ar vertical para a direcção desejada.
- Em operações subsequentes, o fluxo de ar vertical é regulado automaticamente na direcção para a qual regulou o deflector pressionando o botão AIR DIRECTION.



Para regular a direcção do fluxo de ar horizontal (esquerda - direita)

Regule o deflector vertical manualmente utilizando a alavanca no lado esquerdo ou no lado direito do braço do deflector vertical (dependendo do modelo). Tenha cuidado para não prender os dedos na ventoinha, no deflector horizontal, ou danificar os deflectores verticais. Quando o ar condicionado estiver em funcionamento e o deflector horizontal estiver numa posição específica, desloque a alavanca para a extremidade esquerda (ou para a direita, dependendo do modelo) da saída do ar para a posição desejada.



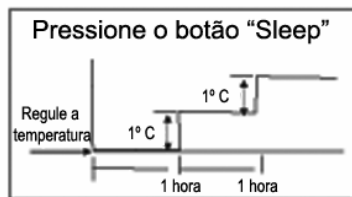
Para oscilar automaticamente a direcção do fluxo de ar (para cima – para baixo)

Efectue esta função durante o funcionamento do ar condicionado.

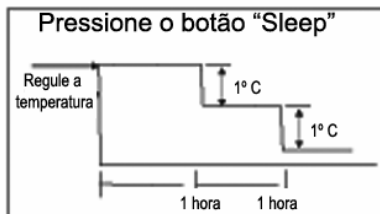
- Pressione o botão SWING (OSCILAÇÃO) no comando à distância.
- Para parar esta função, pressione novamente o botão SWING. Pressione o botão AIR DIRECTION para travar a alavanca na posição desejada.

- Os botões AIR DIRECTION e SWING ficarão desactivados quando o ar condicionado não estiver em funcionamento (mesmo quando o TIMER ON (TEMPORIZADOR LIGADO) estiver activado).
- Não coloque o ar condicionado em funcionamento durante períodos de tempo longos com a direcção do fluxo de ar dirigida para baixo no modo de refrigeração ou de desumidificação. Caso contrário, pode ocorrer condensação na superfície do deflector horizontal, fazendo com que a humidade caia no chão ou no mobiliário.
- Não desloque o deflector horizontal manualmente. Utilize sempre o botão AIR DIRECTION ou o botão SWING. Se deslocar este deflector manualmente, poderá funcionar mal durante o funcionamento. Se o deflector funcionar mal, pare o ar condicionado uma vez e reinicie-o.
- Quando o ar condicionado é iniciado imediatamente após ter sido parado, o deflector horizontal poderá não mover-se durante aproximadamente 10 segundos.
- O ângulo de abertura do deflector horizontal não deverá ser regulado para um ângulo demasiado pequeno, uma vez que o rendimento da COOLING (REFRIGERAÇÃO) ou do HEATING (AQUECIMENTO) pode diminuir devido à área do fluxo de ar demasiado restrita.
- Não coloque a unidade em funcionamento com o deflector horizontal na posição de fechado.
- Quando o ar condicionado estiver ligado à alimentação (alimentação inicial), o deflector horizontal poderá gerar um som durante 10 segundos, o que é normal.

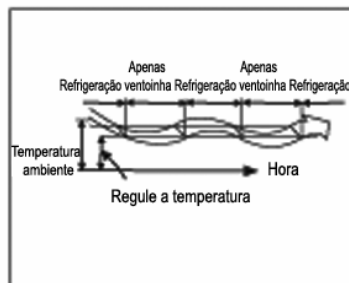
FUNCIONAMENTO DO AR CONDICIONADO



Refrigeração



Aquecimento



DESUMIDIFICAÇÃO

FUNCIONAMENTO AUTOMÁTICO

- Quando coloca o ar condicionado no modo AUTO, este seleccionará automaticamente a refrigeração/o aquecimento (apenas nos modelos refrigeração/aquecimento), ou a ventoinha só funcionará dependendo da temperatura que tiver seleccionado e da temperatura ambiente.
- O ar condicionado controlará a temperatura ambiente automaticamente em torno do ponto de temperatura que tiver estabelecido.
- Se o modo AUTO for desconfortável, pode seleccionar as condições desejadas manualmente.

FUNCIONAMENTO DURANTE A NOITE

Quando pressionar o botão SLEEP (NOITE) durante a refrigeração, o aquecimento (apenas no modelo sem refrigeração), ou o funcionamento AUTO, o ar condicionado aumentará automaticamente (refrigeração) ou diminuirá (aquecimento) 1 por hora. Após 2 horas, a temperatura estabelecida ficará estável. A velocidade da ventoinha será controlada automaticamente.

Nota: A unidade desligar-se-á automaticamente após 7 horas quando estiver no funcionamento SLEEP.

DESUMIDIFICAÇÃO

- O modo de desumidificação seleccionará automaticamente a desumidificação com base na diferença entre a temperatura estabelecida e a temperatura ambiente real.
- A temperatura é regulada durante a desumidificação repetindo a operação de ligar e desligar apenas a ventoinha. A velocidade da ventoinha é LOW (BAIXA).

Télécommande

Especificações do Comando à Distância

Modelo	R51D/E, R51D/CE
Tensão Nominal	3,0V (Pilhas secas alcalinas LR03 X 2)
Tensão mais baixa da CPU - Sinal Emissor	2,0V
Alcance -Gama de Sinal	8 m (quando utiliza tensão de 3,0 atinge 11 m)
Ambiente	-5° C ~ 60° C

Introdução aos Botões de Funções no Comando à Distância

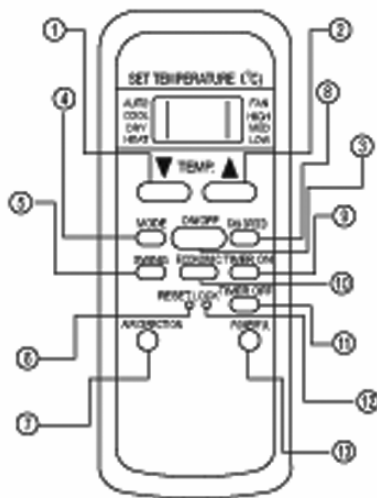


Fig. 1

SET TEMPERATURE (°C)	(Regular a temperatura)
AUTO	(Automático)
FAN	(ventoinha)
COOL	(Frio)
HIGH	(Alta)
DRY	(Desumidificação)
MED	(Média)
HEAT	(Aquecimento)
LOW	(Baixa)
▼ TEMP. ▲	aumentar o diminuir temperatura
MODE	(Modo)
ON/OFF	(Ligar/Desligar)
FAN SPEED	(Velocidade da ventoinha)
SWING	(Oscilação)
ECONOMIC	(Económico)
TIMER ON	(Temporizador ligado)
RESET	(Restabelecer)
LOCK	(Bloquear)
TIMER OFF	(Temporizador desligado)
AIR DIRECTION	(Direcção do ar)
POWERFUL	(Potente)

- Botão TEMP▼:** Pressione o botão para diminuir a regulação da temperatura interior.
- Botão TEMP▲:** Pressione o botão para aumentar a regulação da temperatura interior.
- Botão ON/OFF (LIGAR/DESLIGAR)** Pressione este botão para iniciar o funcionamento da unidade. Pressione novamente o botão para parar o funcionamento da unidade.
- Botão de MODE Select (Seleção de Modo):** Sempre que pressionar o botão, é seleccionado um modo de acordo com a sequência AUTO (AUTOMÁTICO) COOL (FRIO) DRY (DESUMIDIFICAÇÃO) HEAT (AQUECIMENTO) e FAN (VENTOINHA), conforme indicado na figura seguinte:

→ AUTO → COOL → DRY → HEAT → FAN →

⚠ NOTA: O modelo de apenas REFRIGERAÇÃO não tem função de AQUECIMENTO.

- Botão SWING (OSCILAÇÃO):** Pressione este botão e o deflector oscilará para cima e para baixo automaticamente. Pressione novamente para parar.
- Botão RESET (RESTABELECEER):** Quando o botão RESET é pressionado, todas as regulações actuais são canceladas e o controlo voltará às regulações iniciais. (Utilize uma ponta redonda pequena de 1mm para pressionar este botão)
- Botão AIR DIRECTION (DIRECÇÃO DO AR):** Pressione este botão para poder fixar o deflector num ângulo desejado. O deflector oscila (para cima ou para baixo) até um determinado ângulo sempre que se pressiona. Quando o deflector oscila num ângulo que possa afectar a eficiência de refrigeração e de aquecimento do ar condicionado, alterará automaticamente a direcção de oscilação (para cima ou para baixo).
- Botão SPEED (VELOCIDADE):** Este botão é utilizado para regular a Velocidade da Ventoinha de acordo com a sequência que vai desde AUTO (AUTOMÁTICA) LOW (BAIXA) MED (MÉDIA) até HIGH (ALTA) e depois regressa a Auto.
- Botão TIMER ON (TEMPORIZADOR LIGADO):** Pressione este botão para predefinir a hora de LIGAR (início do funcionamento). Cada vez que se pressiona, a hora de LIGAR avança 30 minutos. Quando a regulação da hora exibe 10:00, a regulação da hora de LIGAR avança 60 minutos sempre que se pressiona. Para cancelar o programa da hora de LIGAR basta regular a hora de LIGAR para 0:00.

10. **Botão ECONOMIC RUNNING (FUNCIONAMENTO ECONÓMICO):** Pressione este botão para entrar no modo de funcionamento Energy-Saving (Poupança de Energia). Pressione novamente o botão para cancelar.
11. **Botão TIMER OFF (TEMPORIZADOR DESLIGADO)** Pressione este botão para predefinir a hora de DESLIGAR (desligar o funcionamento). Cada vez que se pressiona, a hora de DESLIGAR avança 30 minutos. Quando a regulação da hora exibe 10:00, a regulação da hora de DESLIGAR avança 60 minutos sempre que se pressionar. Para cancelar o programa da hora de DESLIGAR basta regular a hora de DESLIGAR para 0:00.
12. **Botão LOCK (BLOQUEAR):** Pressione este botão para bloquear todas as regulações actuais. Para libertar as regulações, pressione novamente. (Utilize uma ponta redonda pequena de 1mm para pressionar este botão)
13. **Botão POWERFUL (POTENTE):** Pressione este botão no modo refrigeração/aquecimento para entrar no funcionamento de refrigeração (aquecimento) potente. Pressione novamente para cancelar.

Nota: A unidade regressará automaticamente ao modo de funcionamento anterior após funcionar continuamente no modo de refrigeração potente.

Nomes e Funções dos indicadores no Comando à Distância

Painel do Visor

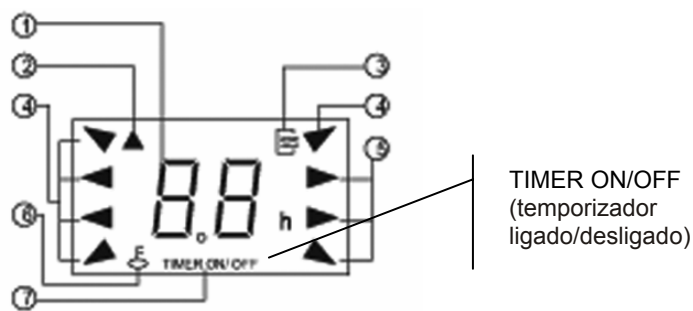


Fig. 2

1. **Zona do VISOR DIGITAL:** Esta zona mostrará a temperatura e, se estiver no modo TIMER (TEMPORIZADOR), mostrará as regulações de ON (LIGADO) e OFF (DESLIGADO) do TEMPORIZADOR. Regressará automaticamente para mostrar a temperatura após 5 segundos. No modo de funcionamento, esta zona não indica nada.
2. **Indicador TRANSMISSION (TRANSMISSÃO):** Este indicador pisca uma vez quando o comando à distância transmite sinais para a unidade interior.
3. **Indicador ON/OFF (LIGADO/DESLIGADO)** Este símbolo aparece quando a unidade é ligada através do comando à distância e desaparece quando a unidade é desligada.
4. **Indicador OPERATION MODE (MODO DE FUNCIONAMENTO):** Mostra os modos de funcionamento actuais —“AUTO”, “COOL”, “DRY”, “HEAT” e “FAN”. HEAT aparece apenas nos modelos com bomba de calor.
5. **Indicador FAN SPEED (VELOCIDADE DA VENTONHA):** Pressione o botão FAN SPEED para seleccionar a regulação de velocidade da ventoinha desejada (Automática-Baixa-Média-Alta). O valor seleccionado será exibido na janela do LCD, excepto a velocidade da ventoinha Auto (Automática).
6. **Indicador LOCK (BLOQUEAR):** Este símbolo aparece quando se pressiona o botão LOCK e desaparece quando é pressionado novamente.
7. **Visor TIMER ON/OFF (TEMPORIZADOR LIGADO/DESLIGADO):** Esta zona de exibição mostra as regulações do TEMPORIZADOR. Ou seja, se apenas a hora de início do funcionamento estiver regulada, exibirá TIMER ON (TEMPORIZADOR LIGADO). Se apenas a hora de desligar o funcionamento estiver regulada, exibirá TIMER OFF (TEMPORIZADOR DESLIGADO). Se ambos os funcionamentos estiverem regulados, exibirá TIMER ON/ OFF (TEMPORIZADOR LIGADO/DESLIGADO), o que indica que escolheu regular a hora de ligar e a hora de desligar.

▲ NOTA: Na Fig. 2 aparecem todos os sinais por razões de clareza da apresentação. Mas durante o funcionamento real apenas SÃO MOSTRADOS os elementos funcionais relativos no painel do visor.

Funcionamento do Comando à Distância



Colocar/Substituir as Pilhas

O Comando à Distância utiliza duas pilhas secas alcalinas (LR03X2).

1. Para colocar as pilhas, faça deslizar a tampa de trás do compartimento das pilhas e coloque-as de acordo com a direcção (+ e -) mostrada no Comando à Distância.
2. Para substituir as pilhas, utilize o mesmo método mencionado acima.



FUNCIONAMENTO AUTOMÁTICO

Quando o Ar Condicionado estiver pronto a funcionar, ligue a alimentação e a luz indicadora de OPERATION (FUNCIONAMENTO) no painel do visor e a unidade interior começará a piscar.

1. Utilize o botão MODE select (selecção de MODO) para seleccionar AUTO (AUTOMÁTICO).
2. Pressione o botão TEMP para seleccionar a temperatura ambiente desejada. A regulação de temperatura mais confortável situa-se entre 21° C a 28° C.
3. Pressione o botão ON/OFF (LIGAR/DESLIGAR) para ligar o ar condicionado. A luz OPERATION no painel do visor da unidade interior acende-se. O modo de funcionamento é AUTO FAN SPEED (VELOCIDADE DA VENTOINHA AUTOMÁTICA) e não aparecem indicadores no painel do visor do comando à distância.
4. Pressione novamente o botão ON/OFF para parar o funcionamento da unidade.

NOTA

1. *No modo AUTO, o ar condicionado pode escolher logicamente o modo COOL, FAN, HEAT e DRY (REFRIGERAÇÃO, VENTOINHA, AQUECIMENTO e DESUMIDIFICAÇÃO), detectando a diferença de temperatura entre a temperatura ambiente e a temperatura regulada no comando à distância.*
2. *Se o modo AUTO não for confortável para si, pode seleccionar manualmente o modo desejado.*



COOL/HEAT (refrigeração/aquecimento) (Apenas no tipo sem refrigeração) e Apenas Ventilação

1. Se o modo AUTO não for confortável, pode avançar manualmente as regulações, seleccionando manualmente os modos COOL, HEAT ou FAN ONLY (REFRIGERAÇÃO, AQUECIMENTO ou APENAS VENTOINHA).
2. Pressione o botão TEMP para estabelecer a temperatura ambiente desejada. No modo COOL, as regulações mais confortáveis são 21° C ou mais. No modo HEAT, as regulações mais confortáveis são 28° C ou menos.
3. Pressione o botão FAN SPEED para seleccionar o modo FAN de AUTO, HIGH, MED ou LOW.
4. Pressione o botão ON/OFF; a luz de funcionamento acende-se e o ar condicionado começa a funcionar com as suas regulações. Pressione novamente o botão ON/OFF para parar o funcionamento da unidade.

NOTA

O modo FAN ONLY (APENAS VENTOINHA) não pode ser utilizado para controlar a temperatura. Neste modo, só podem ser executadas as etapas 1,3 e 4.



DESUMIDIFICAÇÃO

1. Pressione o botão MODE para seleccionar DRY (DESUMIDIFICAÇÃO).
2. Pressione o botão TEMP para regular a temperatura desejada desde 21° C a 28° C.
3. Pressione o botão ON/OFF; a luz de funcionamento acende-se e o ar condicionado começa a funcionar no modo DRY. A VELOCIDADE DA VENTOINHA é Baixa. Pressione novamente o botão ON/OFF para parar o funcionamento da unidade.

NOTA

Devido à diferença da temperatura estabelecida da unidade e da temperatura interior real, o Ar Condicionado, quando está no modo DRY, saltará automaticamente muitas vezes entre os modos COOL e FAN.



Funcionamento do TEMPORIZADOR

O botão TIMER ON serve para programar a hora de colocação em funcionamento da unidade. O botão TIMER OFF serve para programar a hora de desligar a unidade.

1. Para programar a hora de início.

- 1.1 Pressione o botão TIMER ON e o comando à distância mostrará TIMER ON, a última hora programada para o funcionamento e o sinal "h" serão mostrados na zona do VISOR DIGITAL. Agora pode reprogramar a hora para INICIAR o funcionamento.
- 1.2 Pressione o botão TIMER ON novamente para programar a hora de ligar desejada da unidade.
- 1.3 Após pressionar TIMER ON, haverá um atraso de meio segundo antes de o comando à distância transmitir o sinal para o ar condicionado. Depois, após aproximadamente outros 2 segundos, o sinal "h" desaparece e a temperatura estabelecida reaparecerá no visor digital.

2. Para programar a hora de desligar.

- 2.1 Pressione o botão TIMER OFF e o comando à distância mostrará TIMER OFF, a última hora programada para desligar e o sinal "h" serão mostrados na zona do VISOR DIGITAL. Agora pode reprogramar a hora para PARAR o funcionamento.
- 2.2 Pressione novamente o botão TIMER OFF para programar a hora a que deseja parar o funcionamento.
- 2.3 Após pressionar TIMER OFF, haverá um atraso de meio segundo antes de o comando à distância transmitir o sinal para o ar condicionado. Depois, após aproximadamente outros 2 segundos, o sinal "h" desaparece e a temperatura estabelecida reaparecerá no visor digital.

3. Programar a hora de ligar e desligar

- 3.1 Pressione o botão TIMER ON e o comando à distância mostrará TIMER ON, a última hora programada para INICIAR o funcionamento e o sinal "h" serão mostrados na zona do visor DIGITAL. Agora pode reprogramar o TIMER ON para iniciar o funcionamento.
- 3.2 Pressione novamente o botão TIMER ON para programar a hora a que deseja iniciar o funcionamento.
- 3.3 Pressione o botão TIMER OFF e o comando à distância mostrará TIMER OFF, a última hora programada para PARAR O FUNCIONAMENTO e o sinal "h" serão mostrados na zona do visor DIGITAL. Agora pode reprogramar a hora de PARAR o funcionamento.
- 3.4 Pressione novamente o botão TIMER OFF para programar a hora a que deseja parar o funcionamento.
- 3.5 Após pressionar TIMER, haverá um atraso de meio segundo antes de o comando à distância transmitir o sinal para o Ar Condicionado. Depois, após aproximadamente outros 2 segundos, a temperatura programada reaparecerá no visor digital.

Alterar o TEMPORIZADOR

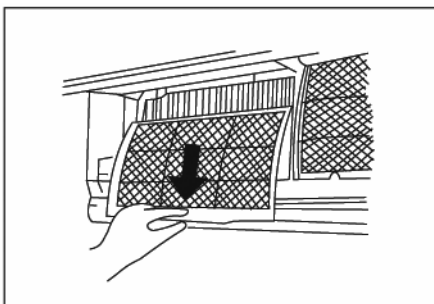
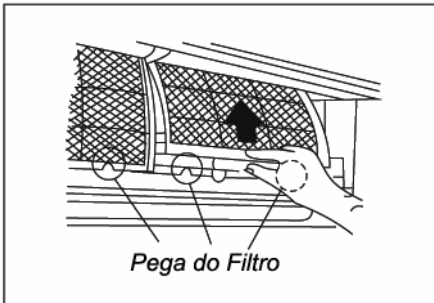
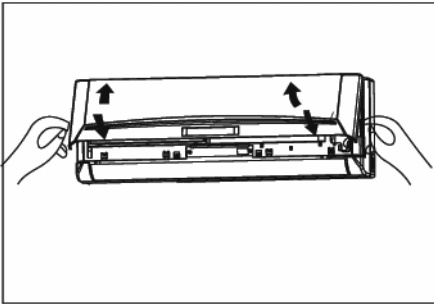
Para alterar a hora de TIMER ON/OFF (TEMPORIZADOR LIGADO/DESLIGADO) basta pressionar o botão TIMER correspondente e reprogramar a hora.

NOTA

A hora programada é relativa. Quer dizer, é definida relativamente ao atraso da hora actual.

ADVERTÊNCIA

1. Certifique-se de que não existem obstáculos entre o comando à distância e o receptor da unidade interior, caso contrário, o ar condicionado não funcionará.
2. Mantenha o Comando à Distância afastado de quaisquer líquidos.
3. Proteja o comando à distância de temperaturas altas e de exposição a radiação.
4. Mantenha o receptor interior afastado da luz solar directa ou o Ar Condicionado funcionará mal.
5. Mantenha o Comando à Distância afastado das IEM (Interferências Electromagnéticas) causadas por outros electrodomésticos.
6. Quando substituir as pilhas, não utilize pilhas antigas nem de tipos diferentes. Isto poderá causar o mau funcionamento do comando à distância.
7. Se não utilizar o comando à distância durante várias semanas, retire as pilhas. Caso contrário, o líquido das pilhas pode danificar o comando à distância.
8. A duração média da pilha em condições normais é de cerca de 6 meses.
9. Substitua as pilhas quando a unidade interior não responder ou se a luz do Indicador de Transmissão não acender.

MANUTENÇÃO**⚠️ ADVERTÊNCIA**

É necessário parar o ar condicionado e desligar a alimentação eléctrica antes de efectuar a limpeza.

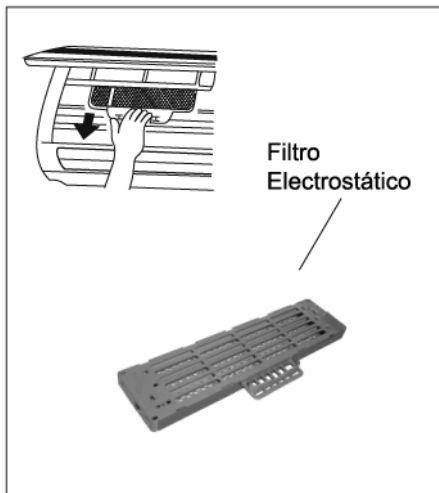
Limpar a unidade interior e o comando à distância**⚠️ PRECAUÇÕES**

- Utilize apenas um pano seco para limpar a unidade interior e o comando à distância.
- Se a unidade interior estiver muito suja, pode utilizar um pano humedecido em água fria para limpá-la.
- O painel frontal da unidade interior pode ser retirado e limpo com água. Depois, limpe com um pano seco.
- Não utilize um pano tratado quimicamente nem substâncias para agarrar o pó.
- Não utilize gasolina, diluente, pó de polir ou solventes idênticos para limpar. Estes podem fender ou deformar a superfície plástica.

Limpar o filtro do ar

Um filtro do ar obstruído reduz a eficiência da refrigeração desta unidade. Por favor, limpe o filtro cada 2 semanas.

1. Levante o painel da unidade interior até um ângulo em que fixe com um estalido.
2. Segure a pega do filtro do ar e levante-a ligeiramente para retirá-lo do suporte do filtro e depois puxe-o para baixo.
3. Retire o **FILTRO DO AR** da unidade interior
 - Limpe o **FILTRO DO AR** cada duas semanas.
 - Limpe o **FILTRO DO AR** com um aspirador ou com água e depois seque-o num local frio.



4. Retire o Filtro Electrostático da armação do suporte, conforme mostrado na Figura do lado esquerdo (Não se aplica às unidades sem filtro electrostático).

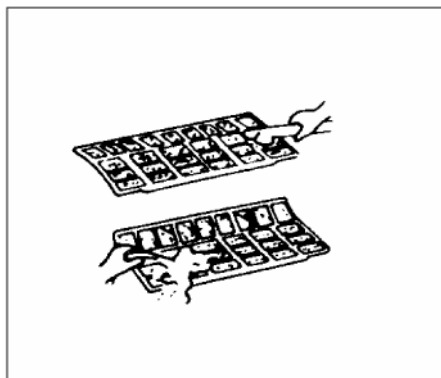
⚠ Não toque neste Filtro Electrostático nos 10 minutos seguintes à abertura da grelha de entrada, pois poderá causar choque eléctrico.

- Limpe o Filtro Electrostático com detergente suave ou água e seque ao ar livre durante duas horas.
 - Antes de colocar novamente o Filtro Electrostático, verifique se a linha da coroa ou a armação do suporte estão danificados.
5. Instale novamente o filtro renovador do ar na respectiva posição.
 6. Introduza novamente a parte superior do filtro do ar na unidade, tendo cuidado para que as extremidades esquerda e direita fiquem alinhadas correctamente e coloque o filtro na respectiva posição.

Manutenção

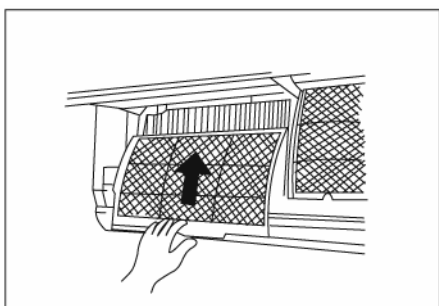
Se planear ter a unidade desligada durante um longo período de tempo, efectue o seguinte:

- (1) Faça funcionar a ventoinha durante cerca de meio dia para secar o interior da unidade.
- (2) Pare o ar condicionado e desligue a alimentação. Retire as pilhas do comando à distância.
- (3) A unidade exterior exige manutenção e limpeza periódicas. Não tente fazê-lo você mesmo. Contacte o seu concessionário ou a assistência técnica.



Verificações antes da colocação em funcionamento

- Certifique-se de que os cabos não estão partidos ou desligados.
- Certifique-se de que o filtro do ar está instalado.
- Certifique-se de que a saída ou a entrada do ar estão bloqueadas após o ar condicionado não ter sido utilizado durante um longo período de tempo.



⚠ PRECAUÇÕES

- Não toque nas partes metálicas da unidade quando retirar o filtro. Podem ocorrer ferimentos ao manusear extremidades metálicas afiadas.
- Não utilize água para limpar o interior do ar condicionado. A exposição à água pode destruir o isolamento, conduzindo a possível choque eléctrico.
- Ao limpar a unidade, certifique-se primeiro de que a alimentação e o disjuntor estão desligados.

SUGESTÕES DE FUNCIONAMENTO

Durante o funcionamento normal podem ocorrer as seguintes circunstâncias.

1. Protecção do ar condicionado.

Protecção do compressor

- Não é possível colocar o compressor em funcionamento durante 3 minutos seguintes à paragem.

Protecção contra ar frio (Apenas nos modelos de refrigeração e aquecimento)

- A unidade foi concebida para não descarregar ar frio durante o modo HEAT (AQUECIMENTO), quando o permutador de calor interior estiver numa das seguintes situações e a temperatura estabelecida não tiver sido atingida.
 - A) Quando o aquecimento tiver acabado de entrar em funcionamento.
 - B) Quando estiver a descongelar.
 - C) Em aquecimento com temperaturas baixas.
- A ventoinha interior ou exterior deixam de funcionar quando estiver a descongelar (Apenas nos modelos de refrigeração e aquecimento). Descongelar (Apenas nos modelos de refrigeração e aquecimento)
- Pode formar-se descongelação na unidade exterior durante o ciclo de aquecimento quando a temperatura exterior for baixa e a humidade for alta, o que se traduz num menor rendimento de aquecimento do ar condicionado.
- Neste estado, o ar condicionado parará o aquecimento e começará a descongelar automaticamente.
- O tempo de descongelação oscila entre 4 e 10 minutos, conforme a temperatura exterior e a quantidade de gelo acumulado na unidade exterior.

2. A unidade interior emite uma névoa branca

- Pode gerar-se uma névoa branca devido a uma grande diferença de temperatura entre a entrada e a saída do ar no modo COOL (REFRIGERAÇÃO) num ambiente interior que tenha uma humidade relativa elevada.
- Pode gerar-se uma névoa branca devido à humidade produzida pelo processo de descongelação quando o ar condicionado reinicia no modo HEAT (AQUECIMENTO) após descongelar.

3. O ar condicionado emite um ruído baixo

- Poderá ouvir um sussurro quando o compressor estiver a funcionar ou tiver acabado de parar de funcionar. Este som é produzido pelo refrigerante a fluir ou parar.
- Poderá ouvir também um ligeiro chiar quando o compressor estiver a funcionar ou tiver acabado de parar de funcionar. Isto deve-se à dilatação causada pelo calor e à contracção devido ao frio das partes plásticas na unidade quando a temperatura varia.
- Poder-se-á ouvir um ruído devido ao deflector estar a regressar à sua posição original quando a alimentação é ligada pela primeira vez.

4. A unidade interior expulsa pó.

Isto é normal durante a primeira utilização da unidade ou quando o ar condicionado não é usado durante um longo período de tempo.

5. A unidade interior emite um odor peculiar.

Este odor deve-se à passagem pela unidade interior de materiais de construção, mobiliário ou fumo.

6. O ar condicionado passa para o modo apenas FAN, do modo COOL ou HEAT (Apenas para os modelos de refrigeração e aquecimento).

Quando a temperatura interior atinge a temperatura estabelecida no ar condicionado, o compressor parará automaticamente e o ar condicionado muda para o modo apenas FAN. O compressor arrancará novamente quando a temperatura interior subir no modo COOL ou descer no modo HEAT (Apenas para modelos de refrigeração e aquecimento) até ao ponto estabelecido.



7. Podem gerar-se gotas de água na superfície da unidade interior no modo de refrigeração numa humidade relativamente elevada (humidade relativa superior a 80%). Regule o deflector horizontal para a posição de saída do ar máxima e seleccione velocidade da ventoinha HIGH (ALTA).

8. Modo aquecimento (Apenas para modelos de refrigeração e aquecimento)

O ar condicionado extrai o calor a partir da unidade exterior e liberta-o através da unidade interior durante a operação de aquecimento. Quando a temperatura exterior desce, o calor levado pelo ar condicionado também diminui. Ao mesmo tempo, a carga de calor do ar condicionado aumenta devido a uma diferença maior entre a temperatura interior e a exterior. Se o ar condicionado não conseguir atingir uma temperatura confortável, sugerimos que utilize um dispositivo de aquecimento suplementar.

9. Função de reaquecimento automático

Uma falha de energia durante o funcionamento parará totalmente a unidade.

Para a unidade sem a função de reaquecimento automático, quando a alimentação é restaurada, o indicador OPERATION (FUNCIONAMENTO) na unidade interior começa a piscar. Para reiniciar o funcionamento, pressione o botão ON/OFF no comando à distância. Para a unidade com função de reaquecimento automático, quando a alimentação é restabelecida, a unidade é reiniciada automaticamente com todas as programações anteriores guardadas pela função de memória.

10. Os raios e os telemóveis a funcionar nas proximidades podem fazer com que a unidade funcione mal. Desligue a unidade e a alimentação e depois ligue novamente a unidade e a alimentação. Para reiniciar o funcionamento, pressione o botão ON/OFF no comando à distância.

Sugestões de resolução de problemas



Anomalias e Soluções

Pare o ar condicionado imediatamente se ocorrer uma das falhas seguintes. Desligue a alimentação e contacte o centro de assistência ao cliente mais próximo.

Problema	O indicador OPERATION (FUNCIONAMENTO) ou outros indicadores piscam rapidamente (5 vezes por segundo) e não é possível fixar esta intermitência desligando a alimentação e depois ligando-a novamente.
	O fusível funde frequentemente ou o disjuntor dispara frequentemente.
	Outros objectos ou água penetram no ar condicionado
	O comando à distância não funciona ou funciona anormalmente
	Outras situações anormais

Anomalias	Causa	O que se deve fazer?
A unidade não arranca	Corte de energia	Aguarde o restabelecimento da energia
	A unidade pode ter-se desligado.	Verifique se a ficha está bem ligada à tomada
	O fusível pode ter fundido.	Substitua o fusível
	A pilha no Comando à Distância pode estar gasta.	Substitua a pilha
	A hora que estabeleceu no temporizador está incorrecta.	Aguarde ou cancele a programação do temporizador
A unidade não refrigera ou não aquece (Apenas nos modelos de refrigeração/aquecimento) a divisão muito bem enquanto o ar sai do ar condicionado	Programação da temperatura inadequada.	Programe a temperatura correctamente
	O filtro do ar está obstruído	Limpe o filtro do ar
	As portas ou as janelas estão abertas	Feche as portas ou as janelas
	A entrada ou a saída do ar da unidade interior ou exterior foi bloqueada.	Elimine primeiro as obstruções e depois reinicie a unidade
	A protecção de 3 minutos do compressor foi activada	Aguarde

Se o problema não tiver sido corrigido, por favor, contacte um concessionário local ou o centro de assistência ao cliente mais próximo. Certifique-se de que os informa pormenorizadamente acerca das anomalias e do modelo da unidade.

**Notas: Não tente reparar a unidade você mesmo.
Consulte sempre um fornecedor de serviços autorizado.**



BELGIUM :
LUXEMBOURG :

LENNOX BENELUX N.V./S.A.
tél. : + 32 3 633 30 45
fax : + 32 3 633 00 89
e-mail : info.be@lennoxbenelux.com

CZECH REPUBLIC :

JANKA LENNOX a.s.
tél. : + 420 2 510 88 111
fax : + 420 2 579 10 393
e-mail : janka@janka.cz

FRANCE :

LENNOX FRANCE
tél. : + 33 1 64 76 23 23
fax : + 33 1 64 76 35 75
e-mail : marketing.france@lennoxfrance.com

GERMANY:

LENNOX DEUTSCHLAND GmbH
tél. : + 49 69 42 09 79 0
fax : + 49 69 42 09 79 40
e-mail : info.de@lennoxdeutschland.com

NETHERLANDS :

LENNOX BENELUX B.V.
tél. : + 31 33 2471 800
fax : + 31 33 2459 220
e-mail : info@lennoxbenelux.com

POLAND :

LENNOX POLSKA Sp. z o.o.
tél. : + 48 22 832 26 61
fax : + 48 22 832 26 62
e-mail : info@lennoxpolka.pl

PORTUGAL :

LENNOX PORTUGAL LDA.
tél. : + 351 22 998 33 70
fax : + 351 22 998 33 79
e-mail : info@lennoxportugal.com

RUSSIA :

LENNOX DISTRIBUTION MOSCOW
tél. : + 7 095 933 29 55
fax : + 7 095 926 56 50
e-mail : lennox.dist.moscow@co.ru

SLOVAKIA :

LENNOX SLOVENSKO s.r.o.
tél. : + 421 7 44 87 19 27
fax : + 421 7 44 88 64 72
email : lennox.slovensko@lennox.sk

SPAIN:

LENNOX REFAC S.A.
tél. : + 34 915 40 18 10
fax : + 34 915 42 84 04
e-mail : marketing@lennox-refac.com

UKRAINE :

LENNOX DISTRIBUTION KIEV
tél. : + 380 44 461 87 75
fax : + 380 44 461 87 75
e-mail : lennoxua@i.kiev.ua

**UNITED KINGDOM,
IRELAND:**

LENNOX INDUSTRIES Ltd
tél. : + 44 1604 669100
fax : + 44 1604 669150
e-mail : ukmarketing@lennoxind.com

**OTHER EUROPEAN COUNTRIES,
AFRICA,
MIDDLE-EAST :**

LENNOX DISTRIBUTION
tél. : + 33 4 72 23 20 14
fax : + 33 4 72 23 20 28
e-mail : marketing@lennoxdist.com



LENNOX™

www.lennox europe.com