

**INSTALLATION MANUAL**



**RELAX**  
SIZE 24

ENGLISH

ESPAÑOL

FRANÇAIS

DEUTSCH

NEDERLANDS

PORTUGUÊS

PROVIDING GLOBAL SYSTEM SOLUTIONS





# CONTENTS

SAFETY PRECAUTIONS.....	2
INSTALLATION OF INDOOR AND OUTDOOR UNITS.....	3
INSTALLATION INSTRUCTIONS .....	5
ELECTRICAL WORK.....	9
AIR PURGING.....	11
TEST RUNNING .....	13



## WARNING

**Do not install, remove  
and reinstall the unit by yourself.**

- Improper installation will cause water leakage, electrical shock, or fire. Please consult authorized dealer or specialist for the installation work. Please note fault caused by improper installation is not covered by warranty.
- Unit must be installed in an easily accessible area. Any additional cost required to hire special equipment to service the unit will be the responsibility of the customer.

**SAFETY PRECAUTIONS****The following should be always observed for safety:**

- Be sure to read the following WARNING before installing the air conditioner.
- Be sure to observe the cautions specified here as they include important items related to safety.
- After reading this instructions, be sure to keep it together with the owners manual in a handy place for future reference.

**△ WARNING****Do not install it yourself.**

- Incorrect installation could cause injury due to fire, electric shock, the unit falling or leakage of water. Consult the dealer from whom you purchased the unit or special installer.

**Perform the installation securely referring to the installation instruction.**

- Incorrect installation could cause injury due to fire, electric shock, the unit falling or leakage of water.

**Install the unit securely in a place which can bear the weight of the unit.**

- When installed in an insufficiently strong place, the unit could fall causing injury.

**Perform electrical work according to the installation manual and be sure to use an exclusive circuit.**

- If the capacity of the power circuit is insufficient or there is incomplete electrical work, it could result in a fire or an electric shock.

**Use the specified wires to connect the indoor and outdoor units securely and attach the wires firmly to the terminal board connecting sections so the stress of the wires is not applied to the sections**

- Incorrect connection and fixing could cause a fire.

**Check that the refrigerant gas does not leak after installation is completed.****Be sure to use the part provided or specified parts for the installation work.**

- The use of defective parts could cause an injury due to a fire, electric shock, the unit falling, etc.

**Attach the electrical part cover to the indoor unit and the service panel to the outdoor unit securely.**

- If the electrical part covers of the indoor unit and/or the service panel of the outdoor unit are not attached securely, it could result in a fire or electrical shock due to dust, water, etc.

**△ CAUTIONS****Do not install the unit in a place where a flammable gas leaks.**

- If gas leaks and accumulates in the area surrounding the unit, it could cause a explosion.

**Perform the drainage/piping work according to the installation instruction.**

- If there is a defect in the drainage/piping work, water could leak from the unit and household goods could get wet and be damaged.

## INSTALLATION OF INDOOR UNIT AND OUTDOOR UNIT

*Read completely, and then follow step by step.*

### **Indoor unit**

- Do not expose the indoor unit to heat or steam.
- Select a place where there are no obstacles in front or around the unit.
- Make sure that condensation drainage can be conveniently routed away.
- Do not install near a doorway.
- Ensure that the space on the left and right of the unit is more than 12cm.
- Use a stud finder to locate studs to prevent unnecessary damage to the wall.
- A minimum pipe run of 3 metres is required to minimise vibration & excessive noise.
- The indoor unit should be installed on the wall at a height of 2.3 metres or more from the floor.
- The indoor unit should be installed allowing a minimum clearance of 15cm from the ceiling.
- Any variations in pipe length will/may require adjustment to refrigerant charge.

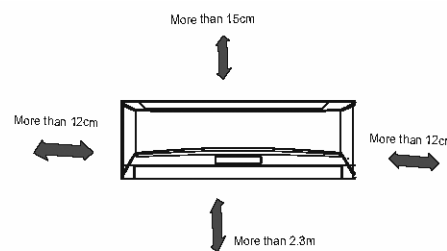


Fig. 1

### **Outdoor unit**

- If an awning is built over the outdoor unit to prevent direct sunlight or rain exposure, make sure that heat radiation from the condenser is not restricted.
- Ensure that the clearance around the back of the unit is more than 30cm and left side is more than 30cm. The front of the unit should have more than 200cm of clearance and the connection side (right side) should have more than 60cm of clearance.
- Do not place animals and plants in the path of the air inlet or outlet.
- Take the air conditioner weight into account and select a place where noise and vibration will not be an issue.
- Select a place so that the warm air and noise from the air conditioner do not disturb neighbours.

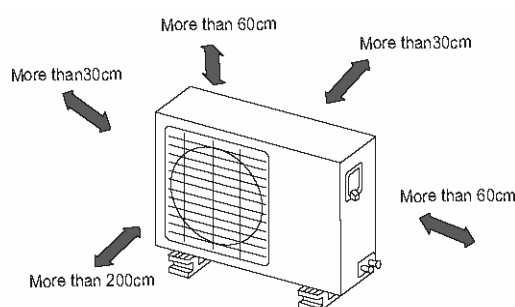


Fig. 2

### **Rooftop installation:**

- If the outdoor unit is installed on a roof structure, be sure to level the unit. Ensure the roof structure and anchoring method are adequate for the unit location.
- Consult local codes regarding rooftop mounting.
- If the outdoor unit is installed on roof structures or external walls, this may result in excessive noise and vibration, and may also be classed as a non serviceable installation.

**Items packed with the unit**

Number	Name of Accessories			Q ty
1	Installation Plate			1
2	Clip Anchor			8
3	Self-tapping Screw A ST3.9X25			8
4	Seal			1
5	Drain Joint			1
6	Connecting pipe Assembly	Liquid side	Φ 9.53	Parts you must purchase
		Gas side	Φ 16	
7	Remote controller			1
8	Self-tapping Screw B ST2.9X10			2
9	Remote controller holder			1

**Note:** Except the above parts provided, the other parts needed during installation you must purchase.

**CAUTION**

- Ensure that the space around the left and right of the indoor unit is more than 12cm. The indoor unit should be installed allowing a minimum clearance of 15cm from the ceiling.
- Use a stud finder to locate studs to prevent unnecessary damage to the wall.
- A minimum pipe run of 3 metres is required to minimise vibration & excessive noise. The indoor unit should be installed on the wall at a height of 2.3 metres or more from the floor.
- Two of the A, B and C directions should be free from obstructions.

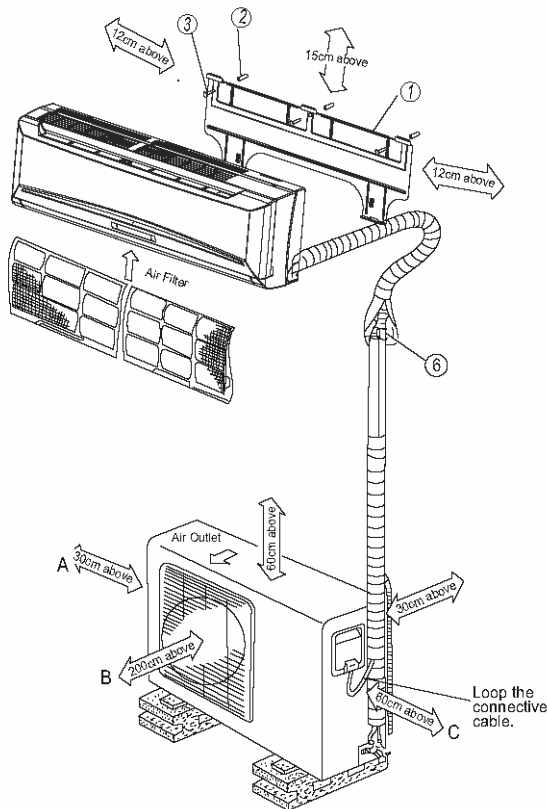


Figure 3

- This illustration is for explanation purposes only.
- Copper lines must be insulated independently

## INDOOR UNIT INSTALLATION

### 1. Fit the Installation Plate

1. Fit the installation plate horizontally on structural parts of the wall with spaces around the installation plate.
2. If the wall is made of brick, concrete or the like, drill eight (8) 5mm diameter holes in the wall. Insert Clip anchor for appropriate mounting screws.
3. Fit the installation plate on the wall with eight (8) type "A" screws.

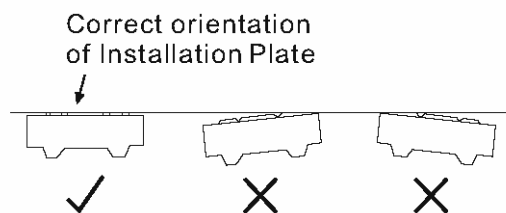


Fig.4

#### Note:

Fit the Installation Plate and drill holes in the wall according to the wall structure and corresponding mounting points on the installation plate.

(Dimensions are in "mm" unless otherwise stated).

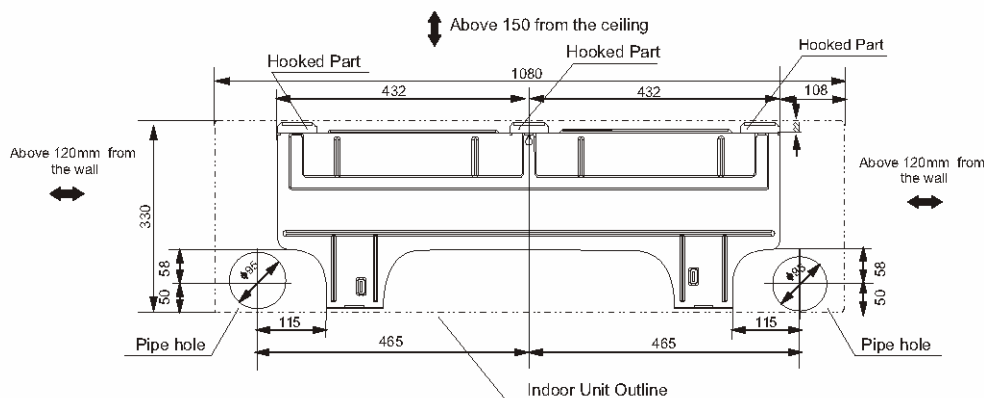


Fig.5

### 2. Drill a hole in the wall

1. Determine hole positions according to the diagram detailed in Fig.5. Drill one (1) hole ( $\Phi$  95mm) slanting slightly to outdoor side.
2. Always use wall hole conduit when drilling metal grid, metal plate or the like.

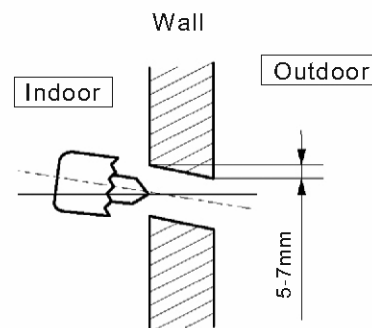


Fig.6



### 3. Connective Pipe and Drainage Installation

#### Drainage

1. Run the drain hose sloping downward. Do not install the drain hose as illustrated below.

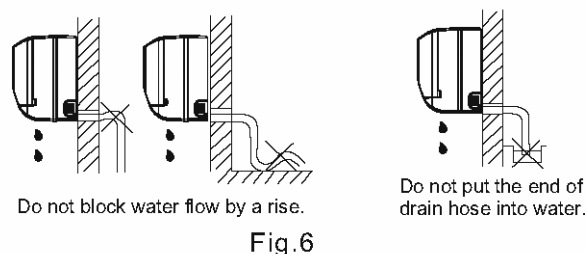


Fig.6

2. When connecting extension drain hose, insulate the connecting part of extension drain hose with a shield pipe, do not let the drain hose slack.

#### Connective pipe

1. For the left-hand and right-hand piping, remove the pipe cover from the side panel.
  - Explain to clients that the pipe cover must be kept as it may be used when relocate the air conditioner to any other place.
2. For the rear-right-hand and rear-left-hand piping, install the piping as shown. Bend the connective pipe to be laid at 43mm height or less from the wall.
3. Fix the end of the connective pipe. (Refer to Tightening Connection in REFRIGERANT PIPING CONNECTION)

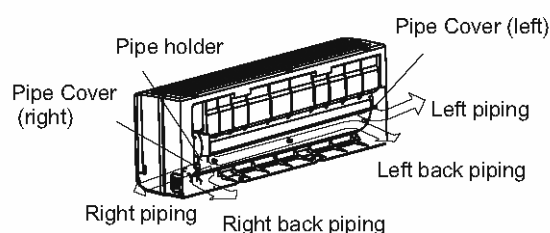


Fig.7

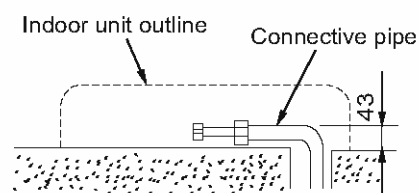


Fig.8

### 4. Indoor unit installation

1. Pass the piping through the hole in the wall.
2. Put the upper claw at the back of the indoor unit on the upper hook of the installation plate, move the indoor unit from side to side to see that it is securely hooked.
3. Piping can easily be made by lifting the indoor unit with a cushioning material between the indoor unit and the wall. Get it out after finish piping.
4. Push the lower part of the indoor unit up on the wall. Then move the indoor unit from side to side, up and down to check if it is hooked securely.

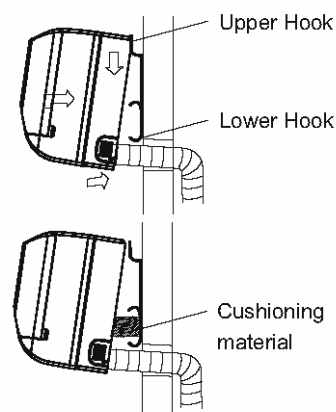


Fig.9

## 5. Piping and wrapping

Bundle the tubing, connecting cable, and drain hose with tape securely, evenly as shown in Fig.10.

- Because the condensed water from rear of the indoor unit is gathered in ponding box and is piped out of room. Do not put anything else in the box.

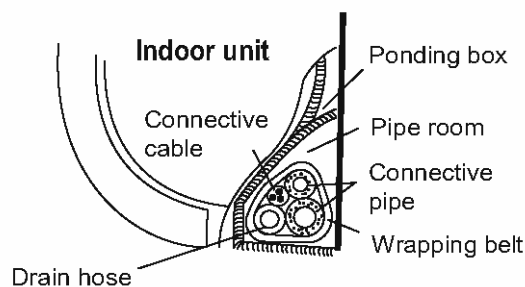


Fig.10

### CAUTION

- Connect the indoor unit first, then the outdoor unit.
- Do not allow the piping to let out from the back of the indoor unit.
- Be careful not to let the drain hose slack.
- Heat insulated both of the auxiliary piping.
- Be sure that the drain hose is located at the lowest side of the bundle. Locating at the upper side can cause drain pan to overflow inside the unit.
- Never intercross nor intertwist the power wire with any other wiring.
- Run the drain hose sloped downward to drain out the condensed water smoothly.

## OUTDOOR UNIT INSTALLATION

### Outdoor installation precaution

- Install the outdoor unit on a rigid base to prevent increasing noise level and vibration.
- Determine the air outlet direction where the discharged air is not blocked.
- In the case that the installation place is exposed to strong wind such as a seaside, make sure the fan operating properly by putting the unit lengthwise along the wall or using a dust or shield plates.
- **Specially in windy area, install the unit to prevent the admission of wind.**
- If need suspending installation, the installation bracket should accord with technique requirement in the installation bracket diagram. The installation wall should be solid brick, concrete or the same intensity construction, or actions to reinforce, damping supporting should be taken. The connection between bracket and wall, bracket and the air conditioner should be firm, stable and reliable.
- **Be sure there is no obstacles which block radiating air.**

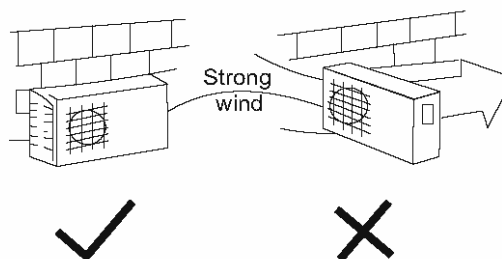


Fig.11

### Settlement of outdoor unit

- Anchor the outdoor unit with a bolt and nut  $\Phi$  10 or  $\Phi$  8 tightly and horizontally on a concrete or rigid mount.

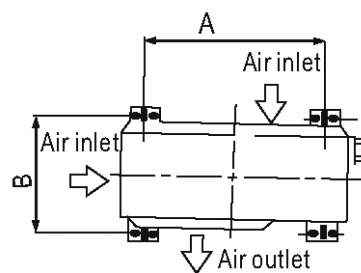


Fig.12

### Drain joint installation

Fit the seal into the drain elbow, then insert the drain joint into the base pan hole of outdoor unit, rotate 90 to securely assemble them. Connecting the drain joint with an extension drain hose (Locally purchased), in case of the water draining off the outdoor unit during the heating mode.

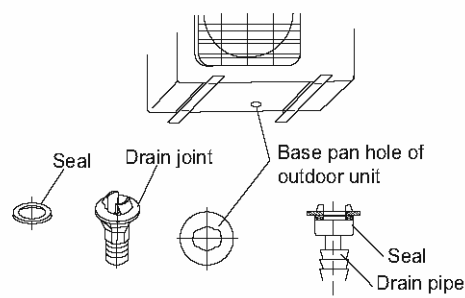


Fig.13

## REFRIGERANT PIPING CONNECTION

### 1. Flaring work

Main cause for refrigerant leakage is due to defect in the flaring work. Carry out correct flaring work using the following procedure:

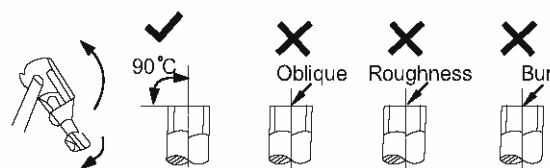


Fig.14

### A: Cut the pipes and the cable.

- Use the piping kit accessory or pipes purchased locally.
- Measure the distance between the indoor and the outdoor unit.
- Cut the pipes a little longer than the measured distance.
- Cut the cable 1.5m longer than the pipe length.

### B: Burr removal

- Completely remove all burrs from the cut cross section of pipe/tube.
- Put the end of the copper tube/pipe in a downward direction as you remove burrs in order to avoid dropping burrs into the tubing.

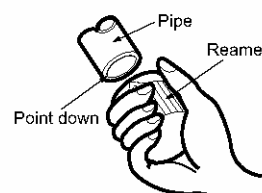


Fig.15

**C: Putting nut on**

Remove flare nuts attached to indoor and outdoor unit, then put them on pipe/tube having completed burr removal. (Not possible to put them on after flaring work).

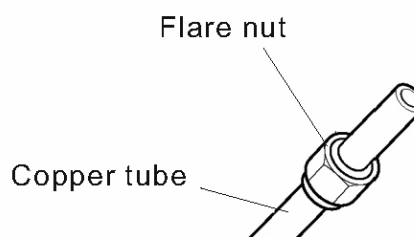


Fig.16

**D: Flaring work**

Firmly hold copper pipe in a die in the dimension shown in the table below.

Outer diam. (mm)	A (mm)	
	Max.	Min.
Φ 9.53	1.6	1.0
Φ 16	2.4	2.2

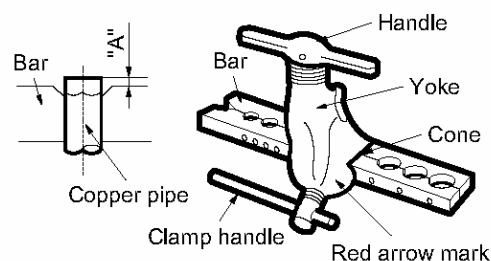


Fig.17

**Tightening Connection**

- Align the center of the pipes.
- Sufficiently tighten the flare nut with fingers, and then tighten it with a spanner and torque wrench as shown.

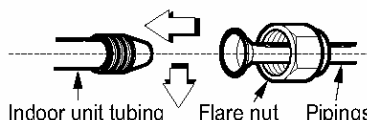


Fig.18

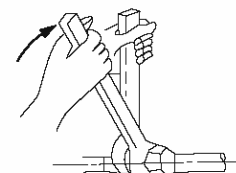


Fig.19

**CAUTION**

- Excessive torque can break nut depending on installation conditions.

Outer diam.	Tightening torque (N.cm)	Additional tightening torque (N.cm)
Φ 9.53	2940 (300 kgf.cm)	3430 (350 kgf.cm)
Φ 16	7360 (750 kgf.cm)	7850 (800 kgf.cm)

**ELECTRICAL WORK**

Electric safety regulations for the initial Installation

1. If there is serious safety problem about the power supply, the technicians should refuse to install the air conditioner and explain to the client until the problem is solved.
2. Power voltage should be in the range of 90%~110% of rated voltage.
3. The creepage protector and main power switch with a 1.5 times capacity of Max. Current of the unit should be installed in power circuit.
4. Ensure the air conditioner is grounded well.
5. According to the attached Electrical Connection Diagram located on the panel of the outdoor unit to connect the wire.
6. All wiring must comply with local and national electrical codes and be installed by qualified and skilled electricians.
7. An individual branch circuit and single receptacle used only for this air conditioner must be available. See the following table for suggested wire sizes and fuse specifications:

Power supply	Input Rated Amp (Switch/Fuse)	Power Cord Size
220-240 V~ 50 Hz.	32/25A	≥ 2.5mm <sup>2</sup>

**NOTE: The supply voltage must be consistent with the rate voltage of the air conditioner.**

**Connect the cable to the indoor unit**

1. Indoor/Outdoor connection cable should be H07RN-F type.
2. Lift the indoor unit panel up and remove the screw, then remove the window cover.
3. Connect cables according to their marks to terminals.
4. Wrap those cables not connected with terminals with insulation tapes, so that they will not touch any electrical components.

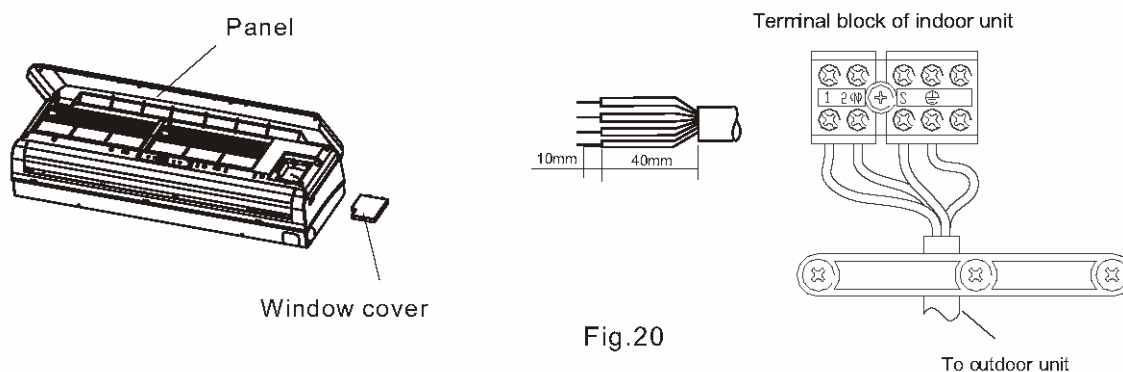


Fig.20

**Connect the cable to the outdoor unit**

1. Remove the electric parts cover from the outdoor unit.
2. Connect the connective cables to the terminals as identified with their respective matched numbers on the terminal block of indoor and outdoor units.
3. To prevent the ingress of water, from a loop of the connective cable as illustrated in the installation diagram of indoor and outdoor units.
4. Insulate unused cords (conductors) with PVC-tape. Process them so they do not touch any electrical or metal parts.

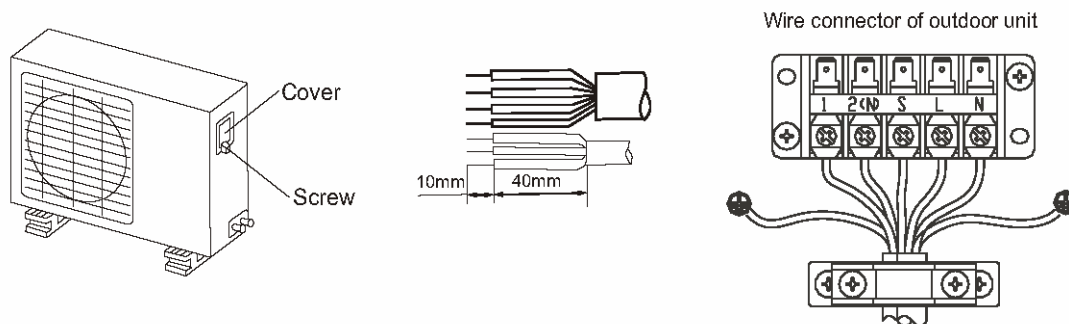


Fig.21

## AIR PURGING

Air and moisture in the refrigerant system have undesirable effects as indicated below:

- Pressure in the system rises.
- Operating current rises.
- Cooling or heating efficiency drops.
- Moisture in the refrigerant circuit may freeze and block capillary tubing.
- Water may lead to corrosion of parts in the refrigeration system.

Therefore, the indoor unit and tubing between the indoor and outdoor unit must be leak tested and evacuated to remove any noncondensables and moisture from the system.

### Air purging with vacuum pump

- Preparation

Check that each tube (both liquid and gas side tubes) between the indoor and outdoor units have been properly connected and all wiring for the test run has been completed. Remove the service valve caps from both the gas and the liquid side on the outdoor unit. Note that both the liquid and the gas side service valves on the outdoor unit are kept closed at this stage.

- Pipe length and refrigerant amount:

Connective pipe length	Air purging method	Additional amount of refrigerant to be charged
Less than 5m	Use vacuum pump.	_____
5~10m	Use vacuum pump.	Liquid side: $\Phi$ 6.35 (Pipe length-5)x30g

- When relocate the unit to another place, perform evacuation using vacuum pump.
- Make sure the refrigerant added into the air conditioner is liquid form in any case.

### Caution in handling the packed valve

- Open the valve stem until it hits against the stopper. Do not try to open it further.
- Securely tighten the valve stem cap with aspanner or the like.
- Valve stem cap tightening torque (See Tightening torque table in previous page).

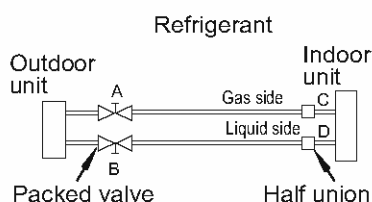


Fig.22

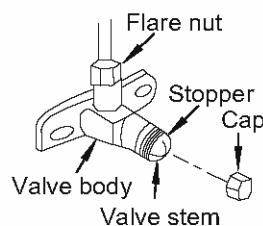


Fig.23

### When Using the Vacuum Pump

(For method of using a manifold valve, refer to its operation manual.)

1. Completely tighten the flare nuts, A, B, C, D, connect the manifold valve charge hose to a charge port of the low-pressure valve on the gas pipe side.
2. Connect the charge hose connection to the vacuum pump.
3. Fully open the handle Lo of the manifold valve.
4. Operate the vacuum pump to evacuate. After starting evacuation, slightly loose the flare nut of the Lo valve on the gas pipe side and check that the air is entering (Operation noise of the vacuum pump changes and a compound meter indicates 0 instead of minus)
5. After the evacuation is complete, fully close the handle Lo of the manifold valve and stop the operation of the vacuum pump.  
Make evacuation for 15 minutes or more and check that the compound meter indicates -76cmHg (-1x105Pa).
6. Turn the stem of the packed valve B about 45° counterclockwise for 6~7 seconds after the gas coming out, then tighten the flare nut again.  
Make sure the pressure display in the pressure indicator is a little higher than the atmosphere pressure.
7. Remove the charge hose from the Low pressure charge hose.
8. Fully open the packed valve stems B and A.
9. Securely tighten the cap of the packed valve.

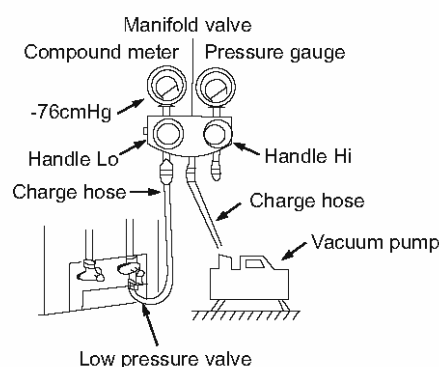


Fig.24

### CAUTION

After the confirmation of the above conditions, prepare the wiring as follows:

- 1) **Never fail to have an individual power circuit specifically for the air conditioner. As for the method of wiring, be guided by the circuit diagram posted on the inside of control cover.**
- 2) **The screw which fasten the wiring in the casing of electrical fittings are liable to come loose from vibrations to which the unit is subjected during the course of transportation. Check them and make sure that they are all tightly fastened. (If they are loose, it could cause burn-out of the wires.)**
- 3) **Specification of power source.**
- 4) **Confirm that electrical capacity is sufficient.**
- 5) **See to that the starting voltage is maintained at more than 90 percent of the rated voltage marked on the name plate.**
- 6) **Confirm that the cable thickness is as specified in the power source specification.**
- 7) **Always install an earth leakage circuit breaker in a wet or moist area.**
- 8) **The following would be caused by voltage drop.**  
Vibration of a magnetic switch, which will damage the contact point, fuse breaking, disturbance of the normal function of the overload.
- 9) **The means for disconnection from a power supply shall be incorporated in the fixed wiring and have an air gap contact separation of at least 3mm in each active (phase) conductors.**

## ELECTRICAL SAFETY AND GAS LEAK CHECK

- Electrical safety check.

Perform the electric safe check after completing installation:

1. Insulated resistance.

The insulated resistance must be more than 2MΩ.

2. Grounding work

After finishing grounding work, measure the grounding resistance by visual detection and grounding resistance tester. Make sure the grounding resistance is less than 4Ω.

3. Electrical leakage check (performing during test running)

During test operation after finishing installation, the serviceman can use the electroprobe and multimeter to perform the electrical leakage check. Turn off the unit immediately if leakage happens. Check and find out the solution ways till the unit operate properly.

- Gas leak check

1. Soap water method:

Apply a soap water or a liquid neutral detergent on the indoor unit connection or outdoor unit connections by a soft brush to check for leakage of the connecting points of the piping. If bubbles come out, the pipes have leakage.

2. Leak detector

Use the leak detector to check for leakage.

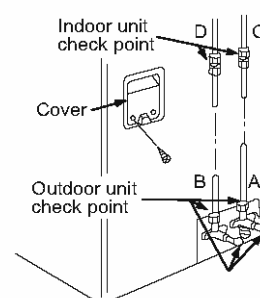


Fig.25

### CAUTION

A: Lo packed valve

B: Hi packed valve

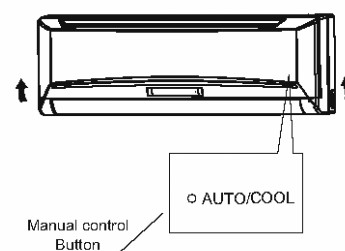
C and D are ends of indoor unit connection.

## TEST RUNNING

Perform test running after completing gas leak and electrical safety check.

The test running time should last more than 30 minutes.

1. Open the panel and lift the panel up to an angle which remains fixed. Do not lift the panel any further when it stops with a click sound.
2. Press the manual control button twice until the operating indicator lights up, the unit will operate on Forced Cool mode.
3. Check if all the functions work well during test running. Especially check whether the drainage of indoor unit is smooth or not.
4. Press the manual switch button again after finishing the test running. The operating indicator turns dark and the unit stops operating.







# ÍNDICE

PRECAUCIONES DE SEGURIDAD .....	2
INSTALACIÓN DE LA UNIDAD INTERIOR.....	5
INSTALACIÓN DE LA UNIDAD EXTERIOR.....	7
CONEXIÓN DE LAS TUBERÍAS .....	8
CONEXIONES ELÉCTRICAS.....	9
REALIZACIÓN DE VACIO DE LA INSTALACIÓN .....	11
COMPROBACIÓN DE LA SEGURIDAD ELÉCTRICA Y FUGAS DE GAS .....	13
PRUEBA DE FUNCIONAMIENTO.....	13



## ADVERTENCIAS

**No instale ni desmonte  
ni vuelva a instalar este equipo personalmente.**

- Una instalación incorrecta puede causar fugas de agua, descargas eléctricas o incendios. Confíe la instalación a un distribuidor autorizado o a un técnico especializado. Tenga en cuenta que las averías causadas por una instalación incorrecta no están cubiertas por la garantía.
- Este aparato debe instalarse en una zona fácilmente accesible. Los costes añadidos de alquiler de equipos especiales para prestar servicio a esta unidad correrán de cuenta del cliente.

## PRECAUCIONES DE SEGURIDAD

**Por razones de seguridad, tenga siempre en cuenta lo siguiente:**

- Asegúrese de leer las siguientes ADVERTENCIAS antes de instalar el acondicionador.
- Lea estas precauciones, pues afectan a aspectos importantes relativos a la seguridad.
- Después de leer las instrucciones, guárdelas a mano junto con el manual de uso por si tiene que consultarlas en el futuro.

### △ ADVERTENCIAS

#### No instale este equipo personalmente.

- Una instalación incorrecta puede ocasionar lesiones causadas por incendios, descargas eléctricas, caída de la unidad o fugas de agua. Consulte al distribuidor a quien haya adquirido el aparato o acuda a un especialista.

#### Monte la unidad firmemente en un lugar que soporte su peso.

- Si instala la unidad en un lugar poco resistente, se puede caer y causar lesiones.

#### Utilice los cables indicados para conectar las unidades interior y exterior y únalos firmemente a las tomas correspondientes de forma que no tiren de ellas.

- La conexión y fijación incorrectas pueden causar incendios.

#### Utilice siempre en la instalación las piezas proporcionadas o indicadas.

- La utilización de piezas defectuosas puede causar lesiones por incendio, descarga eléctrica, caída de la unidad, etc.

#### La instalación debe realizarse de forma segura, consultando las instrucciones de instalación.

- Una instalación incorrecta puede ocasionar lesiones causadas por incendios, descargas eléctricas, caída de la unidad o fugas de agua.

#### Realice los trabajos eléctricos de acuerdo con el manual de instalación y utilice un circuito exclusivo para este aparato.

- Si la capacidad del circuito eléctrico es insuficiente o la instalación eléctrica es incompleta, pueden producirse incendios o descargas.

#### Una vez terminada la instalación, compruebe que no hay fugas de gas refrigerante.

#### Sujete firmemente la tapa de la sección eléctrica de la unidad interior y el panel de servicio de la exterior.

- Si no se sujetan firmemente las tapas de la sección eléctrica de la unidad interior o el panel de servicio de la exterior, se pueden producir incendios o descargas eléctricas a causa del polvo, el agua, etc.

### △ PRECAUCIONES

#### No instale la unidad en un lugar donde haya fugas de gas inflamable.

- Si se producen fugas y acumulaciones de gas cerca de la unidad, se puede producir una explosión.

#### Tienda los tubos de vaciado y otras conducciones siguiendo las instrucciones de instalación.

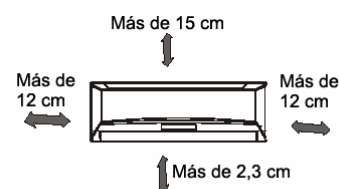
- Las deficiencias en el tendido de conducciones pueden causar fugas, con el consiguiente riesgo de mojar y deteriorar otros objetos del hogar.

## INSTALACIÓN DE LAS UNIDADES INTERIOR Y EXTERIOR

*Lea este capítulo entero y luego siga los pasos uno a uno.*

### **Unidad interior**

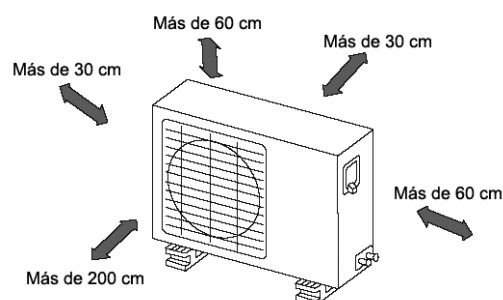
- No exponga la unidad interior a la acción del calor o el vapor.
- Elija un lugar donde no haya obstáculos por delante de la unidad ni a su alrededor.
- Asegúrese de que hay salida fácil para el tubo de vaciado de condensación.
- No lo instale cerca de una puerta.
- Asegúrese de que el aparato tiene más de 12 cm libres a cada lado.
- Utilice un detector de metales para localizar clavos y no dañar innecesariamente la pared.
- El tubo debe tener al menos 3 metros para reducir al mínimo las vibraciones y los ruidos.
- La unidad interior debe instalarse en la pared a una altura de 2,3 metros o más sobre el suelo.
- La unidad interior debe quedar a 15 cm del techo como mínimo.
- Cualquier variación de la longitud del tubo puede obligar a ajustar la carga de refrigerante.



**Figura 1**

### **Unidad exterior**

- Si se coloca un toldo o similar sobre la unidad exterior para protegerla de la acción directa del sol o de la lluvia, asegúrese de que no limita la radiación de calor desde el condensador.
- El hueco libre a la izquierda y por detrás de la unidad debe medir al menos 30 cm. Por delante de la unidad deben quedar al menos 200 cm libres, y al menos 60 cm por el lado de las conexiones (lado derecho).
- No coloque animales o plantas en la trayectoria de entrada o salida del aire.
- Tenga en cuenta el peso del acondicionador y elija un lugar donde el ruido y las vibraciones no planteen problemas.
- Elija un lugar tal que el aire caliente y los ruidos del acondicionador no molesten a los vecinos.



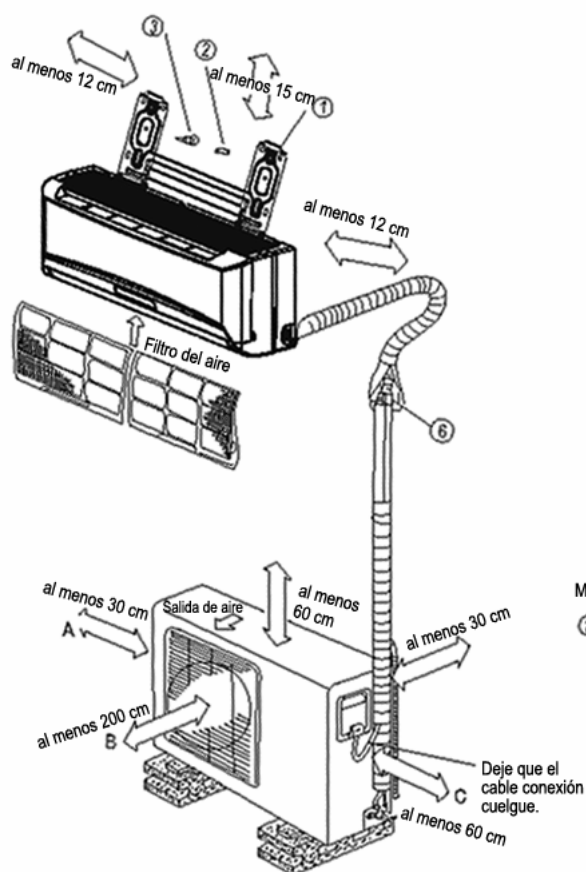
### **Instalación en una cubierta:**

- Si monta la unidad exterior en una estructura de cubierta, no olvide nivelarla. Compruebe que la estructura de la cubierta y el método de anclaje son adecuados para colocar la unidad.
- Consulte los reglamentos locales de montaje en cubiertas.
- Si monta la unidad exterior en una cubierta o un muro exterior, el ruido y las vibraciones pueden ser excesivas; asimismo, la instalación puede clasificarse como imposible de mantener.

**Contenido del embalaje**

Número	Descripción de los accesorios	Cantidad		
1	Placa de instalación	1		
2	Taco de anclaje	8		
3	Tirafondos A ST3.9X25	8		
4	Junta	1		
5	Junta de vaciado	1		
6	Conjunto de tubería de conexión	Lado del líquido	Φ 9,53	Piezas que debe comprar el usuario
		Lado del gas	Φ 16	
7	Mando a distancia	1		
8	Tirafondos B ST2.9X10	2		
9	Soporte para el mando a distancia	1		

**Nota:** Salvo los componentes suministrados que acaban de describirse, el usuario debe adquirir todo lo que necesite para la instalación.



**IMPORTANTE**

- Asegúrese de que el aparato tiene más de 12 cm libres a cada lado. La unidad interior debe quedar a 15 cm del techo como mínimo.
- La unidad interior debe instalarse en la pared a una altura de 2,3 metros o más sobre el suelo.
- Dos de las direcciones A, B y C deben estar libres de obstáculos.

Figura 3

- Esta figura tiene una finalidad meramente explicativa.
- Las conducciones de cobre deben aislarse de forma independiente.

## INSTALACIÓN DE LA UNIDAD INTERIOR

### 1. Colocación de la placa de instalación

1. Coloque la placa de instalación horizontalmente sobre algún elemento estructural de la pared y de modo que quede sitio a su alrededor.
2. Si la pared es de ladrillo, hormigón o similar, perforo en ella ocho (8) orificios de 5 mm de diámetro. Introduzca tacos de anclaje para los tornillos de montaje adecuados.
3. Monte la placa de instalación en la pared con ocho (8) tornillos de tipo "A".

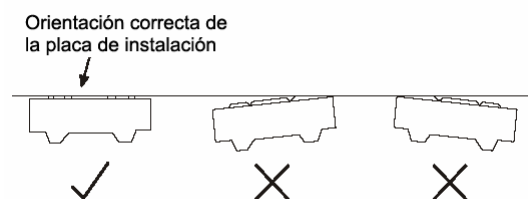


Figura 4

#### Nota:

Monte la placa de instalación y taladre los orificios en la pared teniendo en cuenta la estructura de ésta y los puntos de montaje correspondientes de la placa.  
(Salvo indicación en contrario, las dimensiones se dan en mm.)

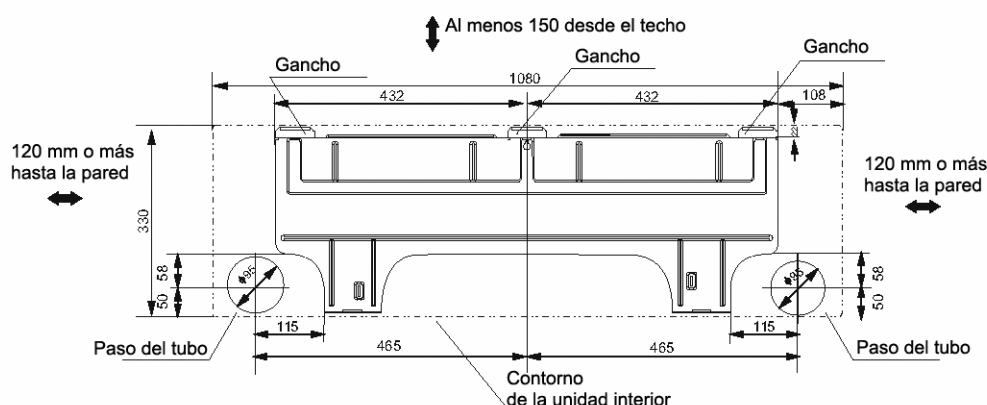


Fig.5

### 2. Taladre un orificio en la pared

1. Determine las posiciones de los orificios de acuerdo con el diagrama de la figura 5. Taladre un (1) orificio ( $\Phi$  95 mm) ligeramente inclinado hacia el exterior.
2. Utilice siempre un pasamuros cuando el orificio atraviese una rejilla o chapa metálica o similar.

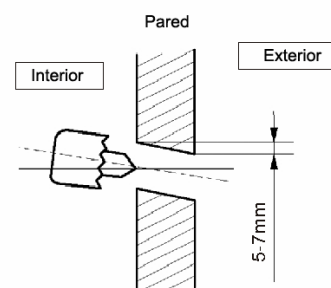


Figura 6a.

### 3. Instalación de las tuberías de conexión y desagüe

#### Desagüe

1. Tienda el manguito de desagüe con pendiente hacia abajo. No lo coloque en ninguna de las posiciones ilustradas a continuación.

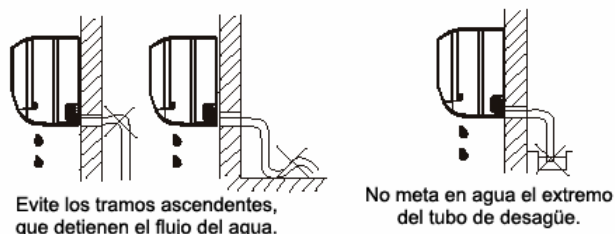


Figura 6b.

2. Si prolonga el tubo de desagüe, aisle la pieza de conexión de la prolongación con una funda protectora; no deje suelto el tubo de desagüe.

#### Tubo de conexión

1. Para sacar los tubos por la izquierda o la derecha, retire las tapas semipunzonadas correspondientes del panel lateral.
  - Explique al cliente que debe guardar la tapa de las tuberías por si fuera preciso volver a utilizarla en caso de traslado del aparato.
2. Para sacar las tuberías derecha o izquierda por detrás, siga estas instrucciones. Doble el tubo de conexión para que discurra a 43 mm de la pared o menos.
3. Sujete el extremo del tubo de conexión. (Consulte Apretado de las conexiones en CONEXIÓN DE LAS TUBERÍAS DE REFRIGERANTE)

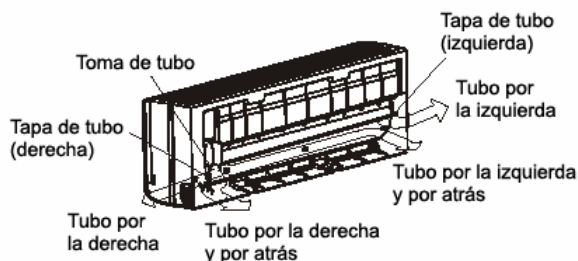


Figura 7

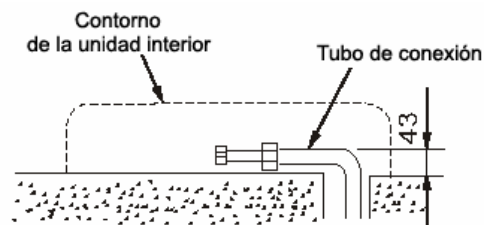


Figura 8

### 4. Instalación de la unidad interior

1. Pase el tubo por el orificio de la pared.
2. Coloque la garra superior de la parte trasera de la unidad interior en el gancho superior de la placa y mueva la unidad hacia los lados para comprobar que ha quedado bien enganchada.
3. Podrá conectar cómodamente las tuberías levantando la unidad con una almohadilla dispuesta entre ella y la pared. Retírela después de tender las tuberías.
4. Empuje la parte inferior de la unidad hacia la parte superior de la pared. A continuación, muévela hacia los lados y en vertical para comprobar que está enganchada firmemente.

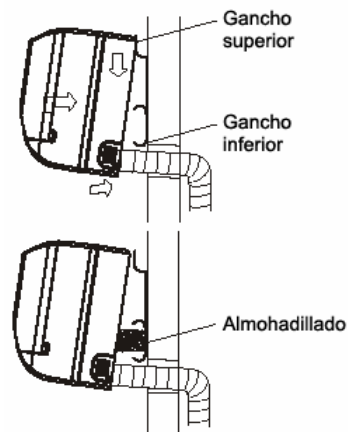


Figura 9

## 5. Empaquetado de los tubos

Una los tubos, los cables de conexión y el desagüe con cinta bien apretada y extendida de forma uniforme, como ilustra la figura 10.

- El agua condensada de la parte trasera de la unidad se recoge en un recipiente y es evacuada fuera de la habitación. No coloque nada en el recipiente.

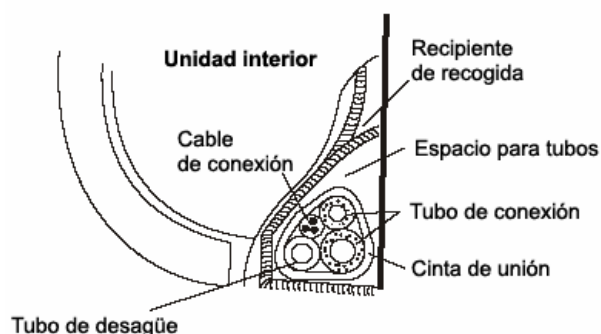


Figura 10

### IMPORTANTE

- Conecte primero la unidad interior y después la exterior.
- No saque los tubos directamente por detrás de la unidad interior.
- Tenga cuidado para no dejar flojo el tubo de desagüe.
- Aísle térmicamente ambas tuberías auxiliares.
- Asegúrese de que el tubo de desagüe se encuentra en la parte más baja del conjunto. Si lo coloca por encima, la bandeja de vaciado podría rebosar hacia el interior de la unidad.
- No cruce el cable de alimentación eléctrica ni lo trence con otros cables.
- Tienda el tubo de desagüe hacia abajo, de forma que el agua condensada fluya sin obstáculos.

## INSTALACIÓN DE LA UNIDAD EXTERIOR

### Precauciones para la instalación de la unidad exterior.

- Monte la unidad exterior sobre una base rígida para reducir las vibraciones y los ruidos.
- Oriente la salida de aire de modo que éste no se vea obstaculizado.
- Si el lugar de instalación esté expuesto a vientos fuertes, como ocurre cerca del mar, asegúrese de que el ventilador funciona correctamente colocando la unidad paralela a la pared o montando un cortavientos.
- **Instale la unidad de forma que no entre el viento, sobre todo en zonas expuestas a vientos fuertes.**
- Si debe suspender la unidad, el soporte debe cumplir los requisitos técnicos indicados en el diagrama correspondiente. La pared de instalación debe ser de ladrillo macizo, hormigón u otro material de solidez similar; si no es así, es preciso reforzar la estructura y amortiguar el soporte. Los anclajes del soporte a la pared y del acondicionador al soporte deben ser fuertes, estables y fiables.
- **Asegúrese de que no hay obstáculos que obstruyan la emisión de aire.**

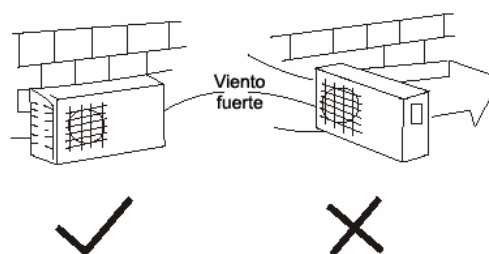


Figura 11



### Colocación de la unidad exterior

- Ancle la unidad exterior con pernos y tuerca de  $\Phi$  10 u  $\Phi$  8 mm de diámetro, firme y horizontalmente, a una base de hormigón o a un soporte rígido.

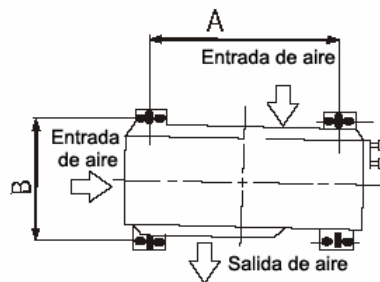


Figura 12

### Montaje de la junta de desagüe

Monte la junta en el codo de desagüe y después insértela en el orificio de la bandeja de base de la unidad; gírela 90 grados para sujetar bien el conjunto. Conecte la junta de desagüe a una prolongación del tubo de desagüe (debe adquirirlo por su cuenta), por si la unidad exterior vierte agua en el modo de calefacción.

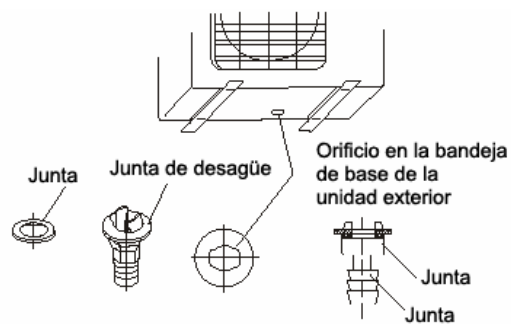


Figura 13

## CONEXIÓN DE LAS TUBERÍAS

### 1. Abocardados

La principal causa de fuga de refrigerante es un abocardado defectuoso. Efectúe correctamente el abocardado siguiendo el procedimiento siguiente:

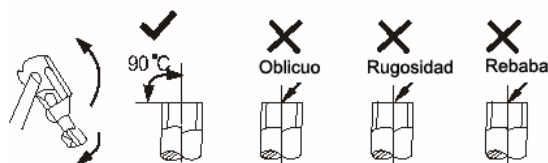


Figura 14

### A: Corte los tubos y el cable.

1. Mida la distancia entre las unidades interior y exterior.
2. Corte las tuberías un poco más largas de la distancia medida.
3. Corte un trozo de cable 1,5 m más largo que el tubo.

### B: Eliminación de las rebabas

1. Elimine totalmente todas las rebabas del corte de los tubos.
2. Mantenga el tubo de cobre boca abajo mientras elimina las rebabas para que no caigan en su interior.



Figura 15

### C: Colocación de las tuercas

Retire las tuercas para uniones abocardadas de las unidades interior y exterior y ensártelas en la tubería cuando termine de eliminar las rebabas (no es posible montarlas después del abocardado).

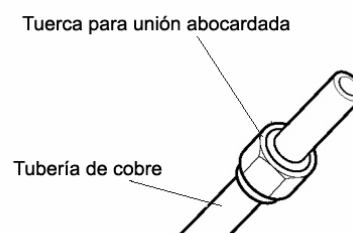


Figura 16

### D: Abocardado

Sujete firmemente la tubería de cobre en una terraja de las dimensiones indicadas en la tabla siguiente.

Diám. exter. (mm)	A (mm)	
	Máx.	Mín.
Φ 9,53	1,6	1,0
Φ 16	2,4	2,2

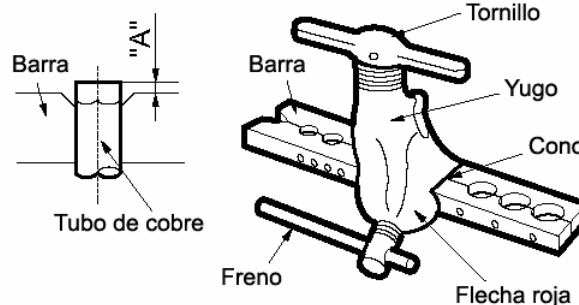


Figura 17

### Apriete de la conexión

- Alinee los centros de los tubos.
- Apriete la tuerca con los dedos todo lo que pueda y luego siga con una llave fija y una dinamométrica, como ilustra la figura.

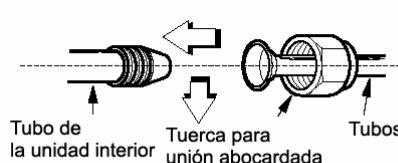


Figura 18

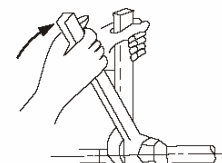


Figura 19

### IMPORTANTE

- Un par de apriete excesivo puede romper la tuerca en determinadas condiciones de la instalación.

Diám. exter.	Par de apriete (N.cm)	Par de apriete extra (N.cm)
Φ 9,53	2940 (300 kgf.cm)	3430 (350 kgf.cm)
Φ 16	7360 (750 kgf.cm)	7850 (800 kgf.cm)

## CONEXIONES ELÉCTRICAS

Reglamentos de seguridad eléctrica de la instalación inicial

1. Si la red eléctrica presenta problemas de seguridad graves, el técnico deberá negarse a instalar el acondicionador y explicar al cliente que antes ha de resolver las deficiencias.
2. La tensión de alimentación debe estar comprendida entre el 90 % y el 110 % del valor nominal.
3. El circuito eléctrico debe contar con un protector diferencial y un interruptor principal con un amperaje igual a 1,5 veces el absorbido por la unidad.
4. Asegúrese de que el acondicionador está bien conectado a tierra.
5. Para conectar los cables, siga el diagrama de conexiones eléctricas que se encuentra en el panel de la unidad exterior.
6. Todas las conexiones deben cumplir los reglamentos eléctricos locales y nacionales y ser instaladas por electricistas cualificados y capacitados.
7. Este acondicionador deben conectarse a un circuito individual con una sola toma. Consulte en la tabla siguiente las dimensiones de los cables y las especificaciones de los fusibles.

Alimentación	Amperaje nominal (interruptor/fusible)	Sección del cable de alimentación
220-240 V~ 50 Hz	32/25 A	≥ 2,5 mm <sup>2</sup>

**NOTA:** La tensión de alimentación debe ser coherente con la tensión nominal del acondicionador.

### Conecte el cable a la unidad interior

1. El cable de conexión interior-exterior debe ser del tipo H07RN-F.
2. Levante el panel de la unidad interior y retire el tornillo; a continuación retire la tapa de la ventanilla.
3. Conecte los cables a los terminales de acuerdo con sus marcas.
4. Cubra los cables que no se conecten con cinta aislante, de forma que no toquen ningún componente eléctrico.

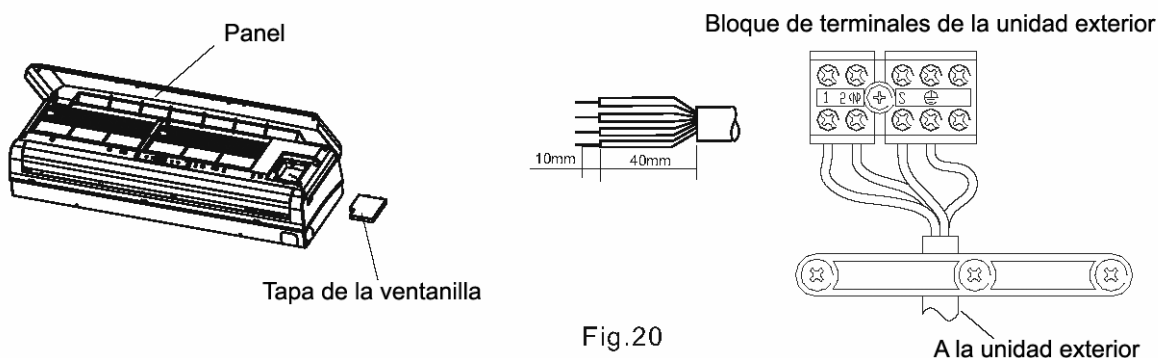


Fig.20

### Conecte el cable a la unidad exterior

1. Retire la tapa de los componentes eléctricos de la unidad exterior.
2. Conecte los cables a los terminales siguiendo los números de identificación de los bloques de terminales interior y exterior.
3. Para impedir que entre agua, forme un bucle descendente con el cable, como ilustra el diagrama de instalación de las unidades interior y exterior.
4. Aísle los cables no utilizados (conductores) con cinta de PVC. Dispóngalos de forma que no toquen ningún componente eléctrico o metálico.

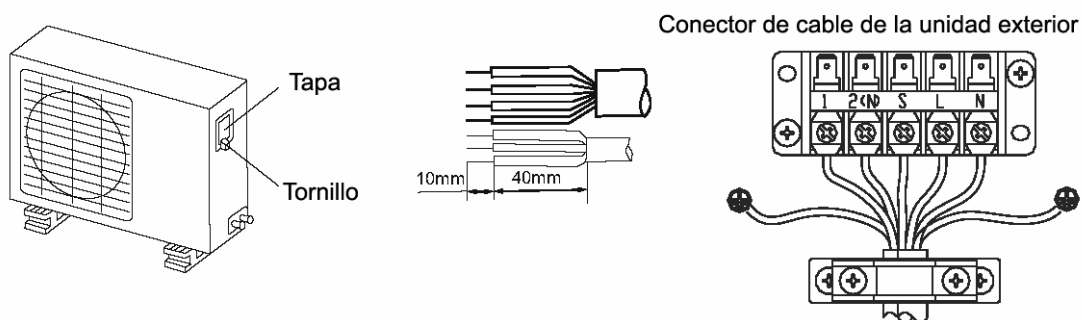


Figura 21

## REALIZACION DE VACIO DE LA INSTALACION

La acumulación de aire y humedad en el sistema de refrigeración provoca los siguientes efectos perjudiciales:

- Aumenta la presión del sistema.
- Aumenta el consumo eléctrico.
- Reduce el rendimiento de la refrigeración o la calefacción.
- El agua presente en el circuito de refrigerante puede congelarse y obstruir los tubos capilares.
- El agua puede producir corrosión de los componentes del sistema de refrigeración.

Por tanto, hay que comprobar la presencia de fugas en la unidad interior y en los tubos que la conectan con la unidad exterior y eliminar del sistema los gases no condensables y la humedad.

### Purga del aire con bomba de vacío

- Preparación

Compruebe que se han conectado todos los tubos (tanto de líquido como de gas) entre las unidades interior y exterior, y que se han terminado las conexiones eléctricas para efectuar la prueba. Retire las tapas de las válvulas de servicio de los lados de gas y líquido de la unidad exterior. Observe que esas válvulas de la unidad exterior están cerradas en esta etapa.

- Longitud del tubo y cantidad de refrigerante:

Longitud del tubo de conexión	Método de purga de aire	Cantidad extra de refrigerante que se debe cargar
Menos de 5 m	Bomba de vacío	_____
5~10 m	Bomba de vacío	En el lado del líquido: $\Phi$ 6,35 (Longitud del tubo -5) x 30 g

- Si cambia de sitio la unidad, vacíela con una bomba de vacío.
- Asegúrese de que el refrigerante añadido al acondicionador está siempre en estado líquido.

### Precauciones para manipular la válvula de servicio

- Abra el vástago de la válvula hasta que tropiece con el tope. No trate de abrirlo más.
- Apriete firmemente el capuchón del vástago con una llave o similar.
- Apriete el tapón del vástago con una llave dinamométrica (vea la tabla de pares de apriete en la página anterior).

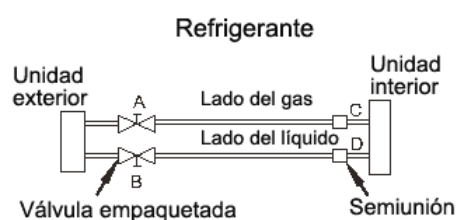


Figura 22

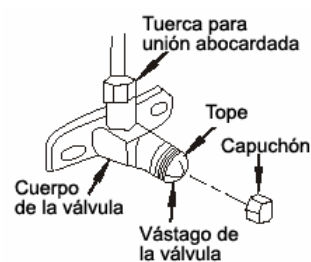


Figura 23

### Uso de la bomba de vacío

(Consulte el manejo de la válvula del colector en el manual correspondiente.)

1. Apriete a fondo las tuercas para unión abocardada A, B, C, D, conecte el latiguillo de baja presión de los manómetros a la toma de presión de la válvula de servicio en la línea de gas.
2. Conecte el latiguillo a la bomba de vacío.
3. Abra del todo la válvula de baja del manómetro.
4. Ponga en marcha la bomba de vacío, afloje ligeramente la tuerca para unión abocardada de la válvula de baja del lado del tubo de gas y compruebe que entra aire (el ruido de funcionamiento de la bomba de vacío cambia y el manómetro indica 0 en vez de negativo).
5. Una vez completo el vacío, cierre del todo la válvula de baja de los manómetros y pare la bomba.  
Haga un vacío de 15 minutos o más, y compruebe que el manovacuómetro indica -76 cm Hg. ( $-1 \times 10^5$  Pa).
6. Gire el vástago de la válvula de servicio B unos  $45^\circ$  en sentido contrario a las agujas del reloj durante 6~7 segundos después de que el gas haya salido y luego apriete de nuevo la tuerca. Asegúrese de que el manovacuómetro indica una presión ligeramente mayor que la atmosférica.
7. Retire el latiguillo de carga del latiguillo de carga de presión baja.
8. Abra del todo los vástagos de las válvulas de servicio B y A.
9. Apriete a fondo el tapón de la válvula de servicio.

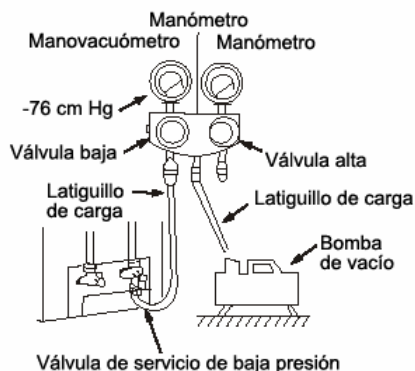


Figura 24

### IMPORTANTE

Después de confirmar que se cumplen las condiciones anteriores, prepare las conexiones como sigue:

- 1) **La unidad debe conectarse siempre a un circuito reservado exclusivamente para él. Conecte los cables guiándose por el diagrama del interior de la tapa del control.**
- 2) **Los tornillos que sujetan los cables en el alojamiento de las conexiones eléctricas se pueden aflojar con las vibraciones que sufre la unidad durante el transporte. Compruébelos y asegúrese de que están bien apretados. (Si están flojos, los cables podrían quemarse.)**
- 3) **Especificación del suministro eléctrico.**
- 4) **Confirme que la capacidad del circuito es suficiente.**
- 5) **Confirme que la tensión de arranque se mantiene a más del 90 % del valor nominal indicado en la placa de características.**
- 6) **Confirme que el calibre del cable es el indicado en la especificación para la alimentación eléctrica.**
- 7) **En zonas mojadas o húmedas, instale siempre un diferencial.**
- 8) **Una caída de tensión puede ocasionar lo siguiente:**  
La vibración de un disyuntor magnético, que dañaría el punto de contacto, el salto del fusible, el mal funcionamiento del tratamiento normal de sobrecargas.
- 9) **El cableado fijo debe disponer de medios de seccionamiento eléctrico con una separación de aire entre contactos de al menos 3 mm en cada uno de los conductores activos (fases).**

## COMPROBACIÓN DE LA SEGURIDAD ELÉCTRICA Y LAS FUGAS DE GAS

- Comprobación de la seguridad eléctrica.  
Lleve a cabo la comprobación de la seguridad eléctrica después de terminar la instalación.
  1. Resistencia de aislamiento  
La resistencia de aislamiento debe ser superior a 2 MΩ.
  2. Toma de tierra  
Una vez terminada la puesta a tierra, mida su resistencia con un óhmetro de tierra y visualmente. Asegúrese de que la resistencia de la toma de tierra es menor de 4Ω.
  3. Derivaciones eléctricas (se verifican durante la prueba de funcionamiento)  
Durante la prueba, después de terminar la instalación, el operario puede utilizar una sonda eléctrica y un multímetro para comprobar si hay fugas eléctricas. Apague la unidad inmediatamente si detecta alguna derivación. Localice y resuelva el fallo de modo que la unidad funcione correctamente.
- Fugas de gas
  1. Método del agua jabonosa:  
Aplique agua jabonosa o un detergente líquido neutro a las conexiones de las unidades interior y exterior con un cepillo suave para comprobar si hay fugas en los puntos de conexión de las tuberías. Si observa burbujas, es que hay fugas.
  2. Detector de fugas  
Utilice el detector de fugas para determinar si hay pérdidas.

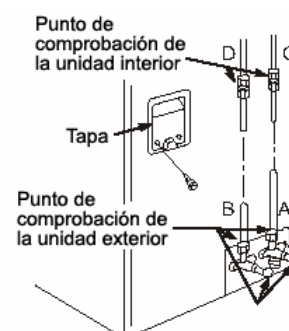


Figura 25

### IMPORTANTE

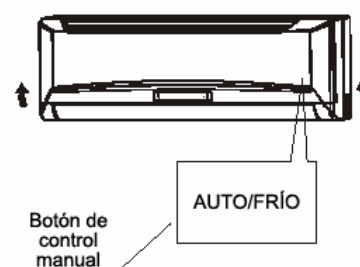
- A: Válvula de servicio de baja
- B: Válvula de servicio de alta
- C y D son los extremos de la conexión de la unidad interior.

## PRUEBA DE FUNCIONAMIENTO

Efectúe la prueba de funcionamiento después de terminar las comprobaciones de fugas de gas y de seguridad eléctrica.

La prueba de funcionamiento debe durar al menos 30 minutos.

1. Abra el panel y levántelo hasta que se mantenga abierto.
2. Pulse dos veces el botón de control manual hasta que se encienda el indicador de funcionamiento; la unidad funcionará en el modo Refrigeración forzada.
3. Compruebe que todas las funciones trabajan bien durante la prueba. En particular, compruebe si el agua fluye sin obstáculos por el tubo de desagüe de la unidad interior.
4. Pulse de nuevo el interruptor manual cuando termine la prueba. Se apaga el indicador de funcionamiento y la unidad deja de funcionar.





# TABLE DES MATIÈRES

CONSIGNES DE SÉCURITÉ.....	2
INSTALLATION DES UNITÉS INTÉRIEURE ET EXTÉRIEURE .....	3
INSTRUCTIONS D'INSTALLATION .....	5
ÉLECTRICITÉ .....	9
PURGE D'AIR .....	11
TEST DE FONCTIONNEMENT .....	13



## AVERTISSEMENTS

**N'installez, n'enlevez  
et ne réinstallez pas vous-même cet appareil.**

- Une installation incorrecte peut provoquer des fuites d'eau, des décharges électriques ou des incendies. Veuillez confier les travaux d'installation à un distributeur autorisé ou un spécialiste. Les pannes causées par une installation incorrecte ne sont pas couvertes par la garantie.
- L'appareil doit être installé dans une zone facilement accessible. Les coûts supplémentaires dérivés de la location d'équipements spéciaux lors des opérations de service sur l'appareil seront à la charge du client.



## CONSIGNES DE SÉCURITÉ

**Pour des raisons de sécurité, veuillez toujours observer les consignes suivantes:**

- Lisez attentivement les AVERTISSEMENTS suivants avant d'installer le climatiseur d'air.
- Observez strictement les mesures de précaution ici énoncées car elles contiennent des renseignements importants liés à la sécurité.
- Après avoir lu ces instructions, assurez-vous de les ranger à portée de la main avec le manuel d'utilisation, pour toute consultation future.

### △ AVERTISSEMENTS

#### **N'installez pas cet appareil vous-même.**

- Toute installation incorrecte peut provoquer des accidents dus aux incendies, décharges électriques, chute de l'appareil ou fuites d'eau. Consultez le distributeur où vous avez acheté l'appareil, ou un installateur spécialisé.

#### **Installez solidement l'appareil dans un endroit pouvant supporter son poids.**

- S'il est installé dans un endroit trop peu résistant, l'appareil peut tomber et causer des accidents.

#### **Utilisez les câbles indiqués pour connecter solidement les unités intérieure et extérieure, attachez-les fermement aux bornes de la plaque de manière que les câbles ne tirent pas sur celles-ci.**

- Un branchement et une fixation incorrects peuvent provoquer des incendies.

#### **N'utilisez que les pièces fournies ou spécifiées lors des travaux d'installation.**

- L'utilisation de pièces défectueuses peut provoquer des accidents dus aux incendies, décharges électriques, chute de l'appareil, etc.

#### **L'installation doit être réalisée de façon sûre, en consultant les instructions d'installation.**

- Toute installation incorrecte peut provoquer des accidents dus aux incendies, décharges électriques, chute de l'appareil ou fuites d'eau.

#### **Réalisez l'installation électrique d'après le manuel d'installation et assurez-vous d'utiliser pour cela un circuit exclusif.**

- Si la capacité du circuit électrique est insuffisante ou si les travaux d'électricité sont incomplets, une décharge électrique ou un incendie pourrait se produire.

#### **Vérifiez qu'il n'y a pas de fuite de gaz frigorigène après l'installation.**

#### **Fixez fermement le couvercle de la partie électrique sur l'unité intérieure et le panneau de service sur l'unité extérieure.**

- Si les couvercles de boîtiers électriques de l'unité intérieure et/ou le panneau de service de l'unité extérieure ne sont pas bien fixés, il y a risque d'incendie ou de décharge électrique dus à la poussière, à l'eau, etc.

### △ PRECAUTIONS

#### **N'installez pas l'appareil près d'une source de gaz inflammable.**

- S'il y a une fuite et une accumulation de gaz près de l'appareil, une explosion pourrait se produire.

#### **Les travaux de drainage/connexion doivent être réalisés en consultant les instructions d'installation.**

- Des travaux incorrects de drainage/connexion peuvent provoquer des fuites d'eau et inonder et endommager le mobilier de la maison.

## INSTALLATION DES UNITÉS INTÉRIEURE ET EXTÉRIEURE

Lisez ce chapitre en entier, puis suivez les instructions une à une.

### Unité intérieure

- N'exposez pas l'unité intérieure à une source de chaleur ou de vapeur.
- Choisissez un emplacement libre d'obstacles devant et autour de l'unité
- Assurez-vous que les condensats peuvent être facilement évacués.
- N'installez pas cet appareil près d'une issue.
- Assurez-vous de laisser un espace de plus de 12 cm à gauche et à droite de l'appareil.
- Utilisez un détecteur de métaux pour localiser les montants de cloisons et ne pas abîmer les murs pour rien.
- Le tuyau doit mesurer au moins 3 mètres pour minimiser les vibrations et le bruit excessif.
- L'unité intérieure doit être installée sur le mur à une hauteur d'au moins 2,3 mètres du sol.
- L'unité intérieure doit être installée à au moins 15 cm du plafond.
- Toute modification de la longueur du tuyau devra faire l'objet d'un réglage de la charge frigorigène.

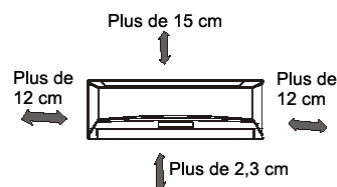


Fig. 1

### Unité extérieure

- Si vous décidez de poser une bâche sur l'unité extérieure pour la protéger des rayons solaires ou de la pluie, assurez-vous que celle-ci ne restreint pas le rayonnement de chaleur du condensateur.
- Assurez-vous de laisser un espace de plus de 30 cm à gauche et à l'arrière de l'unité. Un espace de plus de 200 cm doit être laissé devant l'unité, et de plus de 60 cm côté connexion (côté droit).
- Ne pas placer d'animaux ou de plantes dans le courant d'admission et de décharge d'air.
- Tenez compte du poids du climatiseur et choisissez un emplacement où le bruit et la vibration ne sont pas un problème.
- Choisissez un endroit où le courant d'air chaud et le bruit du climatiseur ne dérangeront pas les voisins.

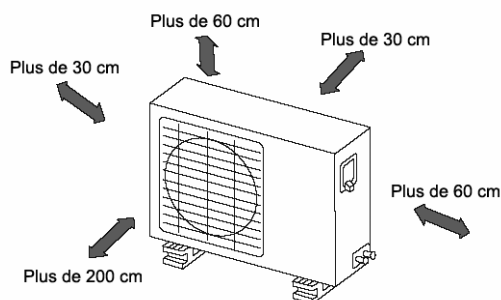


Fig. 2

### Installation en toiture :

- Si vous posez l'unité extérieure sur une toiture, veillez à niveler l'appareil. Assurez-vous que la structure du toit et que le mode d'ancrage sont appropriés pour la pose de l'appareil.
- Consultez la réglementation locale concernant les installations en toiture.
- Si l'unité extérieure est installée sur une toiture ou mur extérieur, les bruits et vibrations pourraient être excessifs, et l'installation pourrait être également déclarée inutilisable.

**Contenu de l'emballage**

Numéro	Nom de l'accessoire	Qté.	
1	Plaque de montage	1	
2	Cheville d'ancrage	8	
3	Vis autotaraudeuse A ST3.9X25	8	
4	Joint	1	
5	Jonction de drainage	1	
6	Ensemble tuyauterie de raccordement	Côté liquide $\Phi$ 9.53	Pièces à la charge de l'utilisateur
		Côté gaz $\Phi$ 16	
7	Télécommande	1	
8	Vis autotaraudeuse B ST3.9X10	2	
9	Support télécommande	1	

Remarque : À l'exception des pièces indiquées ci-dessus, livrées avec l'appareil, vous devrez acheter les autres pièces nécessaires à l'installation.

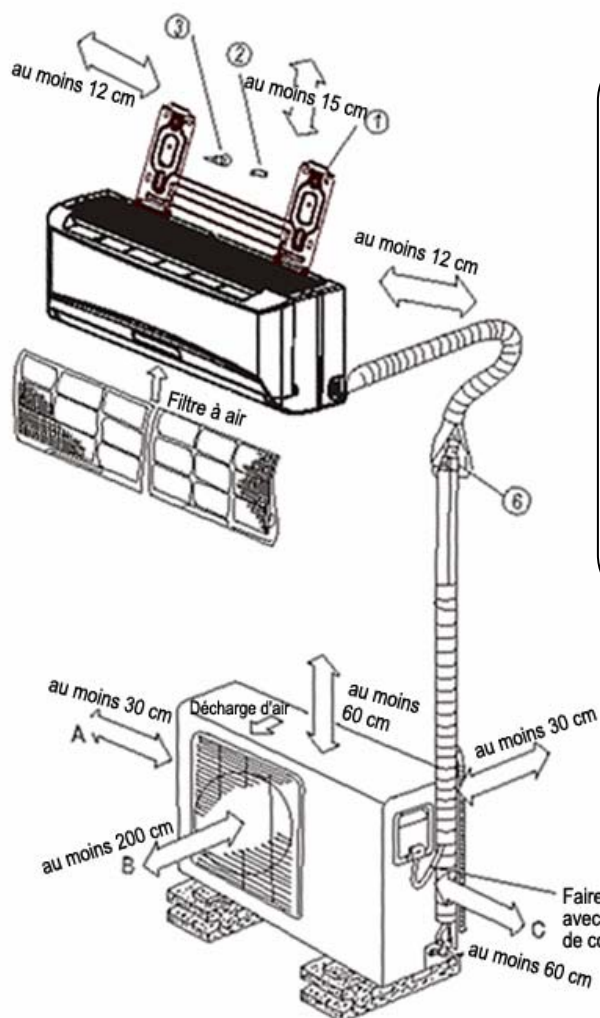
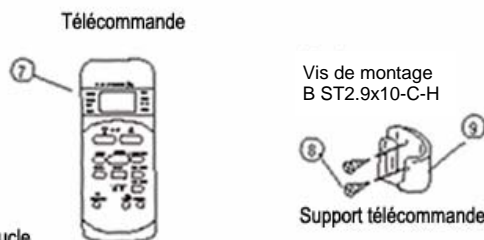


Fig. 3

**IMPORTANT**

- Assurez-vous de laisser un espace de plus de 12 cm à gauche et à droite de l'unité intérieure. L'unité intérieure doit être installée à au moins 15 cm du plafond.
- Utilisez un détecteur de métaux pour localiser les montants de cloisons et ne pas abîmer les murs pour rien.
- Le tuyau doit mesurer au moins 3 mètres pour minimiser les vibrations et le bruit excessif. L'unité intérieure doit être installée sur le mur à une hauteur d'au moins 2,3 mètres du sol.
- Parmi les trois directions A, B et C, deux d'entre-elles devraient être libres de tout obstacle.



- Cette illustration n'est qu'explicative.
- Les lignes de cuivre doivent être isolées indépendamment.

## INSTALLATION DE L'UNITÉ INTÉRIURE

### 1. Pose de la plaque de montage

1. Posez la plaque de montage horizontalement sur un des éléments structuraux du mur et de façon à laisser un espace autour.
2. Si le mur est en briques, et béton ou similaire, percer huit (8) trous de 5 mm de diamètre dans le mur. Introduire les chevilles de montage correspondant aux vis appropriées.
3. Fixer la plaque de montage sur le mur avec huit (8) vis de type A.

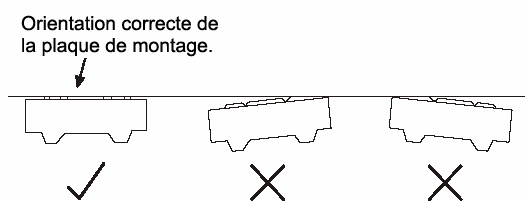


Fig. 4

#### Remarque :

Posez la plaque de montage et percer les trous dans le mur en respectant la structure du mur et les points de montage de la plaque.

(Sauf indication contraire, les dimensions sont exprimées en millimètre)

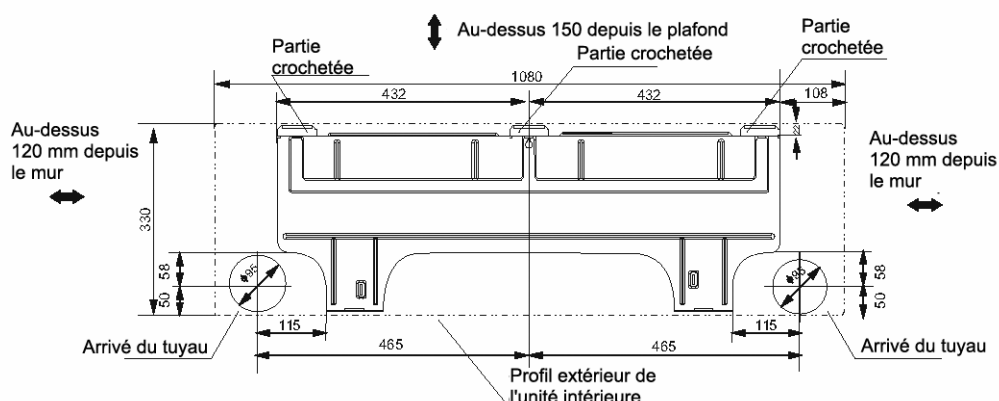


Fig.5

### 2. Perçage d'un trou dans le mur

1. Déterminer la position des trous en fonction du diagramme détaillé à la Fig.5. Percer un (1) trou ( $\Phi$  95 mm) légèrement incliné vers l'extérieur.
2. Utilisez toujours une traversée de mur pour percer une grille de métal, une plaque de métal ou similaire.

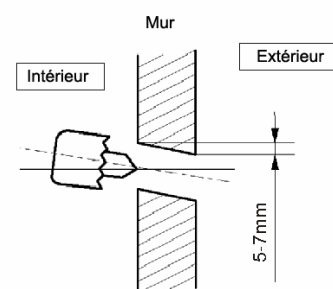


Fig. 6a

### 3. Installation du tuyau de raccordement et du drainage

#### Drainage

1. Posez le tuyau d'évacuation en l'inclinant vers le bas. N'installez pas le tuyau d'évacuation tel qu'indiqué ci-dessous.

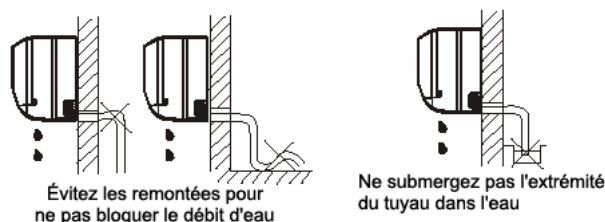


Fig. 6b

2. Quand vous connectez le prolongement du tuyau d'évacuation, isoler les connexions de prolongement avec un manchon protecteur, ne pas laisser le tuyau avoir du mou.

#### Tuyau de raccordement

1. Pour faire sortir la tuyauterie vers la gauche ou vers la droite, enlever la plaque de fermeture correspondante du panneau latéral.
  - Expliquez au client que les plaques de fermeture doivent être conservées car elles peuvent être utiles lors d'un déplacement du climatiseur à un autre endroit.
2. Pour installer la tuyauterie vers l'arrière aussi bien pour la gauche que pour la droite, suivez les explications. Coudez le tuyau de raccordement qui doit être posé au plus à 43 mm de haut du mur.
3. Fixez l'extrémité du tuyau de raccordement. (Cf. Serrage des connexions au chapitre RACCORDEMENT DE LA TUYAUTERIE DE FRIGORIGÈNE)

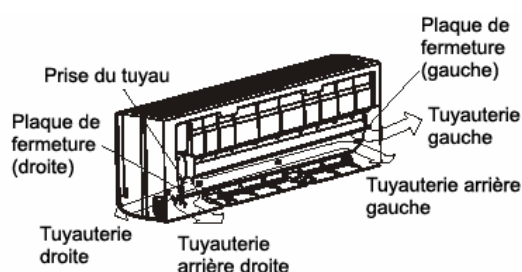


Fig. 7

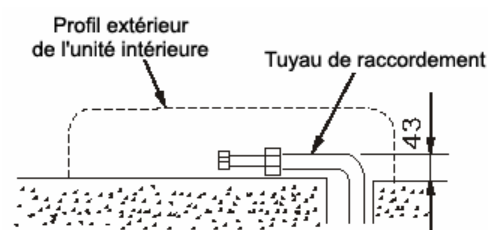


Fig. 8

#### 4. Installation unité intérieure

1. Faites passer le tuyau par le trou percé dans le mur.
2. Posez la griffe d'accrochage supérieure située à l'arrière de l'unité intérieure sur le crochet supérieur de la plaque de montage, puis bougez l'unité d'un côté et de l'autre pour vérifier qu'elle est bien accrochée.
3. Le raccordement peut être effectué en soulevant l'unité intérieure du mur à l'aide d'un matériau de rembourrage. Enlevez-le quand vous aurez terminé le raccordement.
4. Poussez la partie inférieure de l'unité intérieure vers le mur. Remuez alors l'unité intérieure de chaque côté et de haut en bas pour vérifier qu'elle est correctement accrochée.

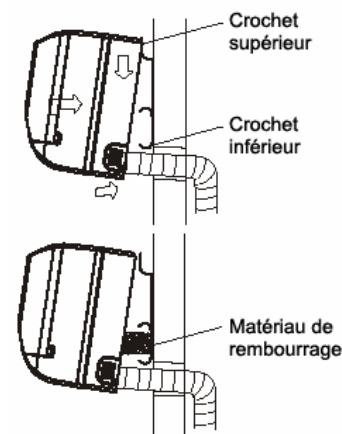


Fig. 9

## 5. Tuyauterie et recouvrement

Rassemblez la tuyauterie, les câbles de connexion et le tuyau d'évacuation dans un faisceau maintenu fermement avec une bande adhésive, tel qu'indiqué à la Fig.10.

- Les condensats de l'unité intérieure sont recueillis dans un bac à condensats et évacués hors de la pièce. Ne rien mettre d'autre dans le bac.

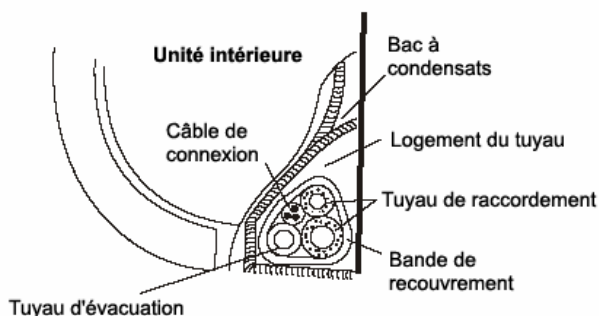


Fig. 10

### IMPORTANT

- Raccordez l'unité intérieure en premier, puis l'unité extérieure.
- Ne laissez pas sortir directement les tuyaux de derrière l'unité intérieure.
- Veillez à ce que le tuyau d'évacuation soit bien tendu.
- Isolez la tuyauterie auxiliaire de la chaleur.
- Assurez-vous que le tuyau d'évacuation est situé en bas du faisceau. Si vous le posez sur le dessus, vous risquez de faire déborder les condensats dans l'unité.
- Ne croisez ni ne tordez jamais le cordon électrique avec un autre câble.
- Posez le tuyau d'évacuation incliné vers le bas afin que les condensats soient évacués sans obstacles.

## INSTALLATION DE L'UNITÉ EXTÉRIEURE

### Précautions de pose à l'extérieur.

- Installez l'unité extérieure sur une base rigide afin d'éviter d'accroître le niveau de bruit et les vibrations.
- Déterminez une direction pour la décharge d'air où cette dernière ne sera pas bloquée.
- Dans le cas où le lieu d'installation serait exposé à des vents forts, tel que le bord de la mer, assurez-vous que le ventilateur fonctionne correctement en plaçant la direction de la longueur de l'unité contre le mur ou en utilisant des volets protecteurs.
- **Notamment dans des zones exposées au vent, installez l'unité de façon à éviter l'admission de vent.**
- Si l'appareil doit être suspendu, le support d'installation doit respecter les spécifications techniques du schéma correspondant. Le mur où l'unité doit être installée doit être en brique pleine, en béton ou densité similaire. Si cela n'est pas le cas, il faut renforcer et amortir les supports. Les connexions entre le support et le mur et le support et le climatiseur doivent être fermes, stables et fiables.
- **Assurez-vous qu'il n'y a pas d'obstacle à l'émission d'air.**

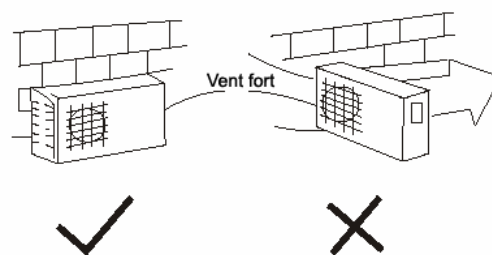


Fig. 11

### Pose de l'unité extérieure

- Ancrez l'unité extérieure à l'aide d'un boulon et d'un écrou de  $\Phi$  10 ou  $\Phi$  8, fermement et horizontalement à une base rigide ou en béton.

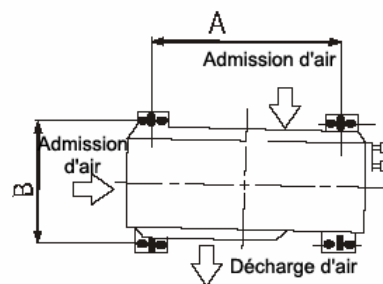


Fig. 12

### Pose de la jonction de drainage

Montez le joint dans le coude de drainage, puis insérez la jonction dans l'orifice du bac inférieur de l'unité extérieure et tournez-la de 90° pour bien fixer le tout. Connectez le prolongement du tuyau d'évacuation (à acheter sur place) sur la jonction de drainage, au cas où de l'eau s'écoulerait de l'unité extérieure en mode chauffage.

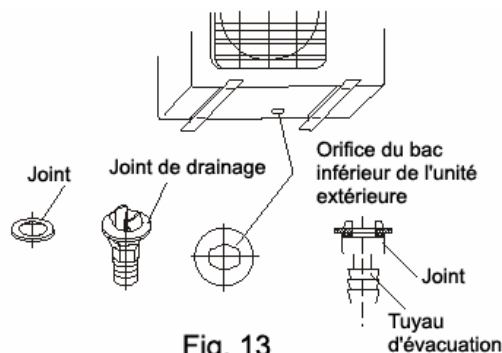


Fig. 13

## RACCORDEMENT DE LA TUYAUTERIE DE FRIGORIGÈNE

### 1. Travaux d'évasement

La cause principale de fuite de frigorigène réside dans des travaux d'évasement défectueux. Veuillez suivre la procédure suivante lors des travaux d'évasement :

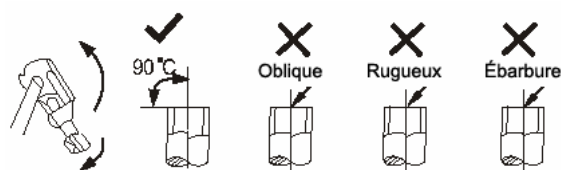


Fig. 14

#### A: Découpe des tuyaux et du câble

1. Utilisez le kit d'accessoires de tuyauterie ou les tuyaux achetés sur place.
2. Mesurez la distance entre l'unité intérieure et l'unité extérieure.
3. Coupez les tuyaux un peu plus longs que la distance mesurée.
4. Coupez le câble 1,5 m plus long que la longueur du tuyau.

#### B: Ébarbement

1. Éliminez complètement les ébarbures de la section de coupe des tuyaux/tubes.
2. Dirigez l'extrémité du tuyau/tube en cuivre vers le bas lors de l'élimination des ébarbures, afin qu'elles ne tombent pas dans le tuyau.

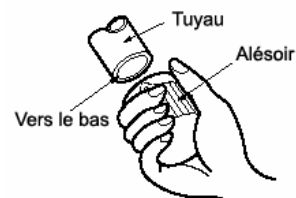


Fig. 15

### C: Pose des écrous

Enlever les écrous flare (évasés) livrés avec les unités intérieure et extérieure, les insérer sur le tube/tuyau complètement ébarbé (il n'est pas possible de les poser après l'évasement).

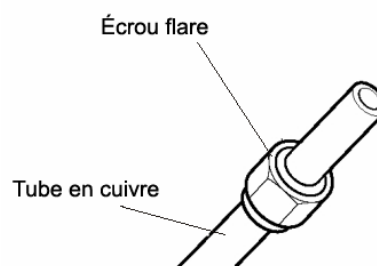


Fig. 16

### D: Travaux d'évasement

Maintenir le tuyau fermement dans une filière en fonction du tableau suivant :

Diam. ext. (mm)	A (mm)	
	Max.	Min.
Φ 9,53	1,6	1,0
Φ 16	2,4	2,2

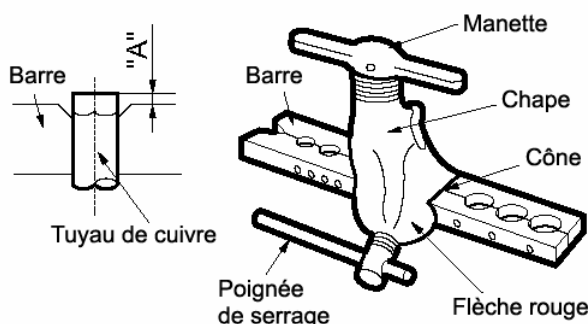


Fig. 17

### Serrage du raccordement

- Alignez les centres des tuyaux
- Vissez suffisamment l'écrou flare à la main, puis procédez au serrage à l'aide d'une clé plate et d'une clé dynamométrique tel qu'indiqué.

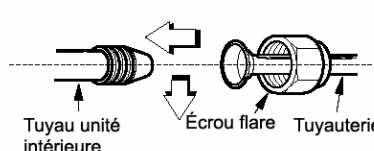


Fig. 18

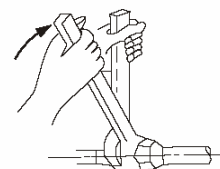


Fig. 19

### IMPORTANT

- Un couple de serrage excessif peut casser les écrous selon les conditions d'installation.

Diam. ext.	Couple de serrage (Ncm)	Couple de serrage supplémentaire (Ncm)
Φ 9,53	2940 (300 kgf.cm)	3430 (350 kgf.cm)
Φ 16	7360 (750 kgf.cm)	7850 (800 kgf.cm)

## ÉLECTRICITÉ

Réglementation de sécurité électrique pour installation initiale

1. S'il existe un problème grave de sécurité concernant le réseau électrique, les techniciens devront refuser d'installer le climatiseur jusqu'à ce que le problème soit réglé et en informer le client.
2. La tension d'alimentation doit être comprise entre 90% et 110% de la valeur nominale.
3. Le circuit électrique doit disposer d'un disjoncteur et d'un interrupteur principal, d'une capacité égale à 1,5 fois celle absorbée par l'unité.
4. Assurez-vous que le climatiseur est correctement mis à la terre.
5. Pour la connexion, suivre les indications du schéma de connexion électrique situé sur le panneau de l'unité extérieure.
6. Toutes les connexions doivent être conformes aux règlements locaux et nationaux, et doivent être installées par des techniciens qualifiés et agréés.
7. Ce climatiseur doit être connecté à un circuit individuel avec une seule prise. Reportez-vous au tableau suivant pour connaître les dimensions des câbles et les spécifications concernant les fusibles.

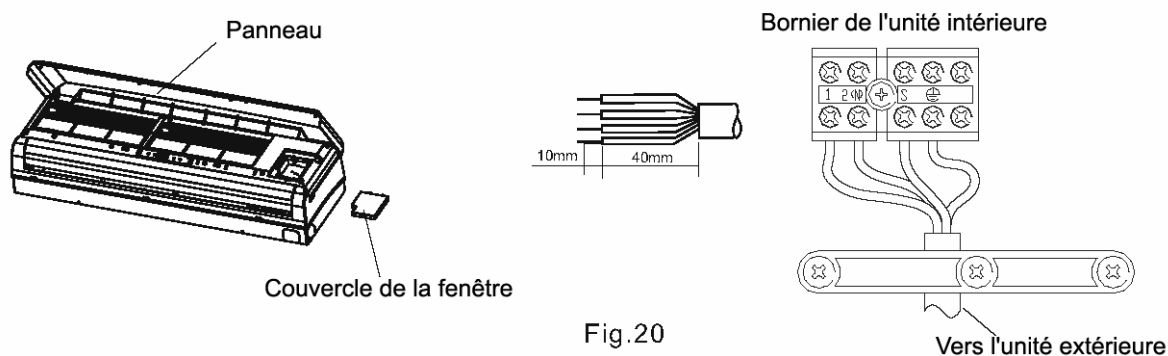


Alimentation électrique	Tension nominale (interrupteur/fusible)	Section du câble d'alimentation
220-240V~ 50Hz	32/25A	≥ 2,5mm <sup>2</sup>

**REMARQUE: La tension d'alimentation doit être compatible avec la tension nominale du climatiseur.**

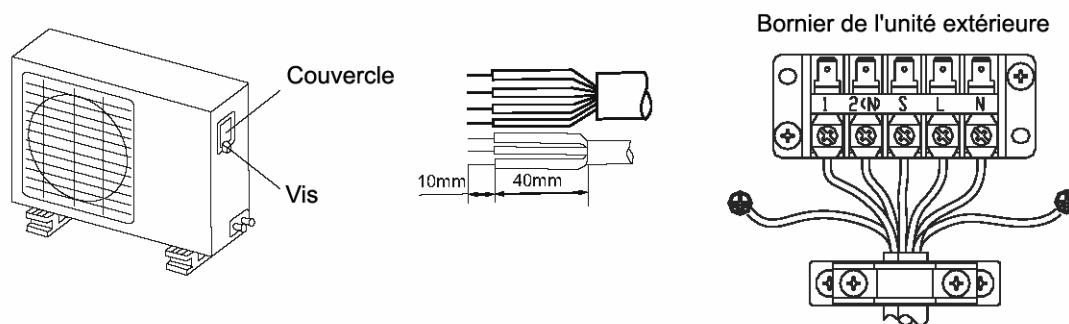
### Câblage de l'unité intérieure

1. Le câble de connexion intérieur/extérieur doit être de type H07RN-F.
2. Soulevez le panneau de l'unité intérieure, enlever la vis et retirer le couvercle de la fenêtre.
3. Connectez les câbles aux bornes d'après leurs marques.
4. Recouvrez les câbles non connectés avec du chatterton, pour qu'ils n'entrent pas en contact avec les composants électriques.



### Câblage de l'unité extérieure

1. Retirez le couvercle du boîtier électrique de l'unité extérieure.
2. Connectez les câbles aux bornes identifiées par leur numérotation respective sur les borniers des unités intérieure et extérieure.
3. Afin d'éviter l'entrée d'eau, formez une boucle ascendante avec le câble de connexion, tel qu'indiqué sur le schéma de d'installation des unités intérieure et extérieure.
4. Isolez les câbles non utilisés (conducteurs) avec du ruban PVC afin qu'ils n'entrent pas en contact avec un composant électrique ou une partie métallique.



## PURGE D'AIR

L'air et l'humidité dans le système de réfrigération peuvent avoir les effets indésirables suivants:

- Augmentation de la pression dans le système.
- Augmentation de la tension de fonctionnement.
- Baisse d'efficacité de refroidissement ou de chauffage.
- L'humidité contenue dans le circuit de réfrigération peut congeler et bloquer les tubes capillaires.
- L'eau peut conduire à la corrosion de certaines pièces du système de réfrigération.

Par conséquent, il faut tester le système pour vérifier qu'il n'y a pas de fuites au niveau de l'unité intérieure et des tuyaux de raccordement à l'unité extérieure, et évacuer et éliminer toute humidité et substance non condensable du système.

### Purge d'air avec pompe à vide

- Préparation

Vérifiez que chaque tuyau (aussi bien de fluide que de gaz) est bien connecté entre les unités intérieure et extérieure et que le câblage de marche d'essai est terminé. Enlever les capuchons des vannes de service côté gaz et fluide de l'unité extérieure. Observez qu'à ce stade, les vannes de service de gaz et de fluide sont encore fermées.

- Longueur de tuyau et quantité de frigorigène:

Longueur tuyau de raccordement	Méthode de purge	Quantité supplémentaire de frigorigène à charger
Moins de 5 m	Utilisez une pompe à vide	_____
5~10 m	Utilisez une pompe à vide	Côté liquide: $\Phi$ 6.35 (Longueur tuyau-5) x 30g

- Si vous déplacez l'unité, purgez avec une pompe à vide.
- Assurez-vous que le frigorigène ajouté dans le climatiseur est toujours sous forme liquide.

### Précautions lors de la manipulation de la vanne de service

- Ouvrez l'aiguille de la vanne jusqu'à ce qu'elle touche le stoppeur. N'essayez pas de l'ouvrir plus.
- Serrez fermement le capuchon de protection avec une clé plate ou similaire.
- Le couple de serrage du capuchon est indiqué sur le tableau des couples de serrage de la page précédente.

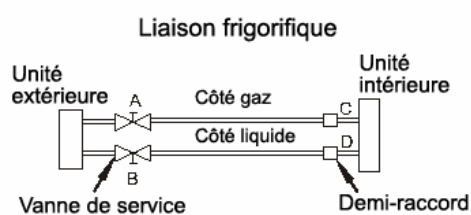


Fig. 22

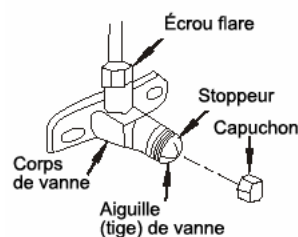


Fig. 23

**Utilisation de la pompe à air**

(pour savoir comment utiliser une vanne manifold, consultez son manuel de fonctionnement)

1. Serrez à fond les écrous flare A, B, C, D, connecter le tuyau de charge du manifold à l'orifice de charge de la vanne basse pression côté conduite de gaz.
2. Connectez le raccord du tuyau de charge à la pompe à vide.
3. Ouvrez à fond la manette Lo du manifold.
4. Mettez la pompe à vide en marche pour évacuer l'air. Après le début de l'opération, desserrez légèrement l'écrou flare de la vanne Lo côté conduite de gaz et vérifiez que l'air entre. (Le bruit de fonctionnement de la pompe à vide change et le vacuomètre doit indiquer 0 au lieu de moins).
5. Une fois que le vide est fait, fermer à fond la manette Lo du manifold et éteindre la pompe à vide.

Faites le vide pendant 15 minutes ou plus et vérifiez que le vacuomètre indique -76cmHg (-1x10<sup>5</sup>Pa).

6. Tournez la tige de la vanne de service B 45° vers la droite pendant 6 ou 7 secondes après la sortie de gaz, et serrez à nouveau l'écrou flare. Assurez-vous que la pression indiquée par le manomètre est légèrement supérieure à la pression atmosphérique.
7. Enlevez le tuyau de charge de l'orifice basse pression.
8. Ouvrir complètement les tiges des vannes de service B et A.
9. Refermer à fond le capuchon de la vanne de service.

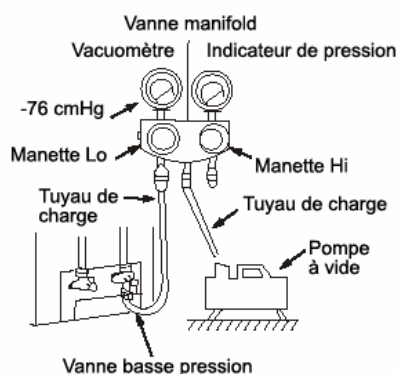


Fig. 24

## ATTENTION

Après avoir vérifié les conditions ci-dessus, préparez le câblage comme suit:

- 1) **Le climatiseur doit toujours être connecté sur un circuit indépendant. Réalisez le câblage en vous reportant au schéma de connexion collé au dos du couvercle du boîtier de contrôle.**
- 2) **Les vis qui emprisonnent les câbles dans les bornes peuvent se desserrer à cause des vibrations auxquelles l'appareil est soumis pendant le transport. Veuillez les vérifier une à une et vous assurez qu'elles sont bien serrées. (Si elles sont trop lâches, les câbles pourraient prendre feu.)**
- 3) **Spécifications de l'alimentation électrique.**
- 4) **Vérifiez que la capacité électrique est suffisante.**
- 5) **Vérifiez que la tension de démarrage se maintient à plus de 90% de la tension nominale inscrite sur la plaque de caractéristiques.**
- 6) **Vérifiez que la grosseur du câble est bien celle spécifiée dans les caractéristiques d'alimentation électrique.**
- 7) **Installez toujours un disjoncteur associé à la prise de terre dans les zones humides ou mouillées.**
- 8) **Une chute de tension peut provoquer les incidents suivants:**  
Vibration d'un interrupteur magnétique, qui va endommager le point de contact, coupure de fusibles, perturbations du fonctionnement normal de surcharges.
- 9) **Le câblage fixe doit être pourvu de moyens de coupure électrique et d'une séparation d'air entre les contacts d'au moins 3 cm sur chaque conducteur actif (phase).**

## VÉRIFICATION DE LA SÉCURITÉ ÉLECTRIQUE ET DES FUITES DE GAZ

- Vérification de la sécurité électrique

Cette vérification doit être faite après installation complète.

1. Résistance isotherme

Elle doit être supérieure à 2 MΩ.

2. Travaux de mise à la terre

Après avoir effectué la mise à la terre, mesurez la résistance de terre, visuellement et avec un testeur. Assurez-vous que la résistance de terre est inférieure à 4Ω.

3. Vérification des fuites électriques (à faire pendant le test de fonctionnement)

Après avoir terminé l'installation, pendant le test de fonctionnement, le technicien peut utiliser une sonde électrique et un multimètre pour vérifier l'absence de fuites électriques.

S'il y a fuite, éteindre immédiatement l'appareil. Vérifiez et réparez le problème jusqu'au fonctionnement correct de l'appareil.

- Détection des fuites de gaz

1. Méthode de l'eau savonneuse :

Appliquer de l'eau savonneuse ou un détergent liquide neutre sur les conduites des unités intérieure et extérieure avec un pinceau souple pour détecter les fuites sur les points de raccord de la tuyauterie. S'il y a des bulles, c'est que la conduite a une fuite.

2. Détecteur de fuites

Utilisez le détecteur pour vérifier l'absence de fuites.

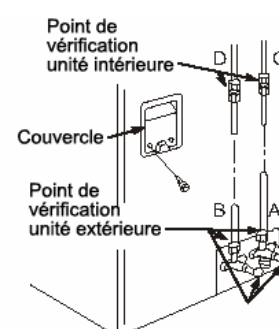


Fig. 25

### ATTENTION

A: Vanne de service Lo

B: Vanne de service Hi

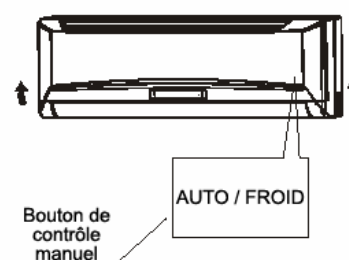
C et D sont les extrémités du raccordement à l'unité intérieure

## TEST DE FONCTIONNEMENT

Le test de fonctionnement doit être effectué après les vérifications de fuites de gaz et de la sécurité électrique.

La durée du test de fonctionnement doit être supérieure à 30 minutes.

1. Ouvrez le panneau et soulevez-le jusqu'à une équerre pour le fixer. Il y a un bruit de butée quand il s'arrête, ne le soulevez pas plus.
2. Appuyez deux fois sur le bouton de contrôle manuel jusqu'à ce que le voyant de fonctionnement s'allume. L'unité fonctionnera en mode Refroidissement forcé.
3. Vérifiez toutes les fonctions pendant le test. Vérifier notamment que l'évacuation de l'unité intérieure se fait sans obstacles.
4. Appuyez à nouveau sur le bouton manuel à la fin du test de fonctionnement. Le voyant de fonctionnement s'éteint et l'appareil s'arrête.





# INHALT

SICHERHEITSVORKEHRUNGEN .....	2
INSTALLATION DES AUßEN- UND INNENGERÄTS .....	3
INSTALLATIONSANWEISUNGEN .....	5
ELEKTRIK .....	9
ENTLÜFTUNG .....	11
PROBEBETRIEB .....	13

## **WARNUNG**

**Das Gerät nicht selbst installieren,  
entfernen und neu installieren.**

- Ein falsche Installation führt zum Entweichen von Wasser, Stromschlag oder Brand. Wenden Sie sich für die Installation an einen autorisierten Händler oder Fachmann. Beachten Sie, dass Fehler aufgrund einer falschen Installation nicht von der Garantie übernommen werden.
- Das Gerät muss an einem gut zugänglichen Ort installiert werden. Alle ggf. anfallenden zusätzlichen Kosten für Spezialgeräte zur Wartung des Geräts sind vom Kunden zu tragen.

## SICHERHEITSVORKEHRUNGEN

### Folgende Punkte sollten aus Sicherheitsgründen immer beachtet werden:

- Lesen Sie die folgenden Warnhinweise, bevor Sie die Klimaanlage installieren.
- Beachten Sie die angegebenen Vorsichtsmaßnahmen, weil sie wichtige Hinweise für Ihre Sicherheit beinhalten.
- Bewahren Sie diese Anweisung nach dem Lesen zusammen mit der Gebrauchsanweisung an einem gut zugänglichen Ort auf, damit sie später schnell zur Hand sind.

### ⚠ WARNHINWEISE

#### Installieren Sie das Gerät nicht selbst.

- Eine falsche Installation kann Verletzungen durch Brand, Stromschlag, einen Ausfall des Gerätes oder das Entweichen von Wasser zur Folge haben. Wenden Sie sich an Ihren Händler oder an einen Installateur.

#### Führen Sie die Installation sicher und unter Beachtung der Installationsanweisungen durch.

- Eine falsche Installation kann Verletzungen durch Brand, Stromschlag, einen Ausfall des Gerätes oder das Entweichen von Wasser zur Folge haben.

#### Installieren Sie das Gerät sicher an einer Stelle, die dem Gewicht des Geräts standhält.

- Wenn das Gerät an einer nicht genügend starken Stelle installiert wird, kann das Gerät beim Fallen Verletzungen verursachen.

#### Nehmen Sie die elektrische Installation gemäß dem Handbuch vor und stellen Sie sicher, dass Sie einen Schaltkreis nutzen, an dem keine anderen Geräte angeschlossen sind.

- Wenn die Leistung des Stromkreislaufs nicht ausreichend ist oder die elektrische Installation unvollständig ist, kann ein Brand oder ein Stromschlag verursacht werden.

#### Nutzen Sie zur Anbringung des Innen- und Außengerätes die empfohlenen Kabel und befestigen Sie sie gut an den Verbindungen des Klemmbretts, damit die Beanspruchung der Kabel nicht auf diese Abschnitte übertragen wird.

- Eine falsche Installation oder Befestigung kann einen Brand zur Folge haben.

#### Überprüfen Sie, ob nach abgeschlossener Installation Kühlgas austritt.

#### Verwenden Sie die gelieferten bzw. angegebenen Teile für die Installation.

- Bei Verwendung beschädigter Teile besteht die Gefahr von Verletzungen durch Brand oder Stromschlag. Außerdem kann das Geräts ausfallen.

#### Befestigen Sie die Abdeckung der Elektrik am Innengerät und die Bedientafel sicher am Außengerät.

- Wenn die Abdeckung der Elektrik für das Innengerät und/oder die Bedientafel des Außengeräts nicht sicher befestigt wurden, kann ein Brand oder ein Stromschlag durch Rauchbildung, Wasser etc. verursacht werden.

### ⚠ VORSICHTSMAßNAHMEN

#### Installieren Sie das Gerät nicht an einem Ort, an dem entzündliches Gas austritt.

- Wenn Gas austritt und sich im Bereich um das Gerät ansammelt, kann es zu einer Explosion kommen.

#### Nehmen Sie die Entwässerung/ Rohrverlegung gemäß der Installationsanweisung vor.

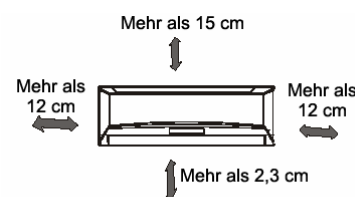
- Bei einer mangelhaften Entwässerung/ Rohrverlegung kann Wasser aus dem Gerät austreten. Hierdurch können u. U. Haushaltsgegenstände durchnässt oder beschädigt werden.

## INSTALLATION DES AUßEN- UND DES INNENGERÄTS

*Bitte lesen Sie die folgenden Hinweise vollständig durch und beachten Sie die Anleitung Schritt für Schritt.*

### **Innengerät**

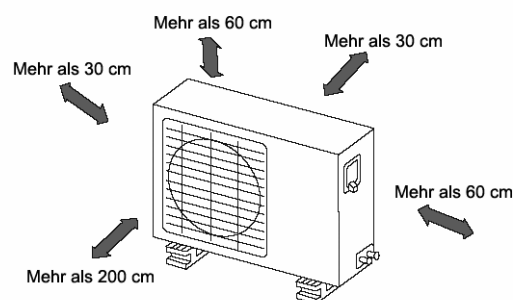
- Setzen Sie das Innengerät weder Hitze noch Wasserdampf aus.
- Wählen Sie einen Platz, an dem sich keine Hindernisse vor oder um das Gerät befinden.
- Achten Sie darauf, dass das Kondenswasser gut abgeleitet werden kann.
- Nicht in der Nähe eines Eingangs installieren.
- Sorgen Sie dafür, dass links und rechts vom Gerät mehr als 12 cm Platz frei ist.
- Nutzen Sie einen Metalldetektor, um eventuelle Metalle aufzuspüren. Andernfalls könnte die Wand beschädigt werden.
- Für eine möglichst gute Dämpfung der Vibration und der Geräusche ist ein Rohrlauf von mindestens 3 m erforderlich.
- Das Innengerät sollte mindestens 2,3 m über dem Boden installiert werden.
- Das Innengerät sollte so installiert werden, dass mindestens 15 cm Platz bis zur Decke sind.
- Bei Veränderungen der Rohrlänge muss ggf. die Kühlmittelmenge entsprechend abgestimmt werden.



**Abb. 1**

### **Außengerät**

- Wenn über der Tür nach außen eine Markise angebracht ist, um direkte Sonneneinstrahlung oder Regen zu vermeiden, sorgen Sie dafür, dass die Abstrahlung des Kondensators nicht behindert wird.
- Achten Sie darauf, dass hinter Gerät und links vom Gerät jeweils mehr als 30 cm Platz frei ist. Vor dem Gerät sollten mehr als 200 cm Platz sein, und an der Anschlussseite (rechts) mehr als 60 cm.
- Achten Sie darauf, dass sich keine Tiere oder Pflanzen am Lufteinzug oder -auslass befinden.
- Bedenken Sie das Gewicht der Klimaanlage und wählen Sie einen Ort, der weder geräusch- noch vibrationsempfindlich ist.
- Wählen Sie den Platz so, dass die warme Luft und die Geräusche der Klimaanlage die Nachbarn nicht stören.



**Abb. 2**

### **Installation auf dem Dach:**

- Wenn das Außengerät auf einem Dach installiert wird, achten Sie darauf, dass es eben steht. Sorgen Sie dafür, dass die Dachträger und die Befestigungsmethode für den Ort des Gerätes angemessen sind.
- Halten Sie die lokalen Vorschriften zur Anbringung von Geräten auf Dachflächen ein.
- Wenn das Außengerät auf einem Dach oder an einer Außenwand installiert wird, kann dies zu viele Geräusche und Vibrationen hervorrufen. Zudem wird die Wartung erschwert.



**Lieferteile**

Nummer	Name des Zubehörs	Anzahl	
1	Montageplatte	1	
2	Befestigungsdübel	8	
3	Blechschaube A ST3.9X25	8	
4	Dichtung	1	
5	Abflussdichtung	1	
6	Anschlussrohrsatz	Flüssigseite $\Phi$ 9,53	Selbst zu erwerbende Teile
		Gasseite $\Phi$ 16	
7	Fernbedienung	1	
8	Blechschaube B ST2.9X10	2	
9	Fernbedienungshalterung	1	

**Anmerkung:** Außer den o.g. mitgelieferten Teilen müssen Sie alle anderen Teile, die Sie für die Installation benötigen, selbst kaufen.

**VORSICHT**

- Sorgen Sie dafür, dass links und rechts vom Innengerät mehr als 12 cm Platz frei ist. Das Innengerät sollte so installiert werden, dass mindestens 15 cm Platz bis zur Decke frei bleibt.
- Sie einen Metalldetektor, um eventuelle Metalle aufzuspüren. Andernfalls könnte die Wand beschädigt werden.
- Für eine möglichst gute Dämpfung der Vibration und der Geräusche ist ein Rohrlauf von mindestens 3 m erforderlich. Das Innengerät sollte mindestens 2,3 m über dem Boden installiert werden.
- Zwei der Richtungen A, B oder C dürfen nicht versperrt sein.

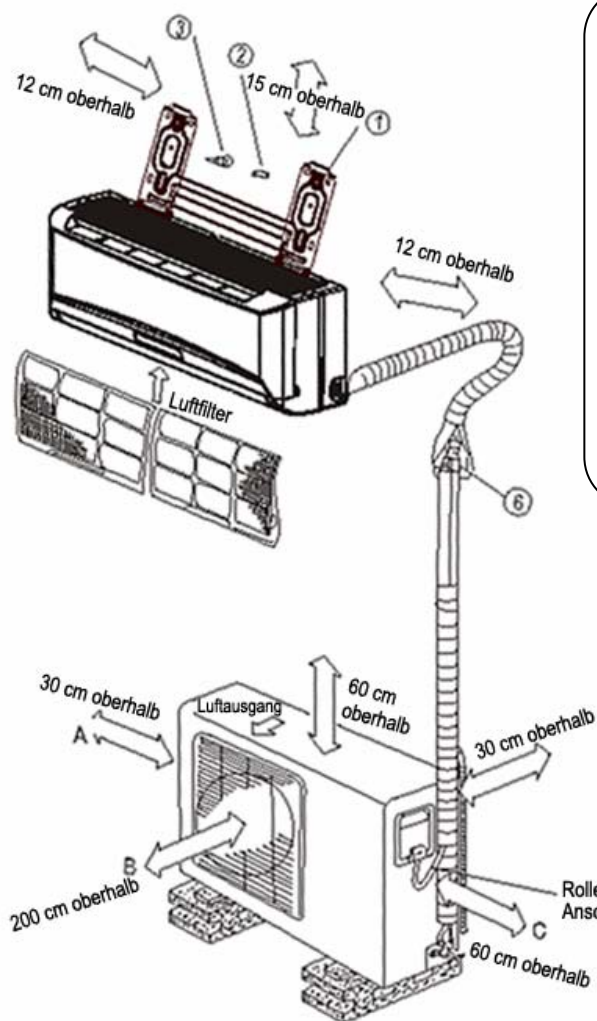


Abb. 3

- Diese Abbildung dient lediglich der Veranschaulichung.
- Kupferleitungen müssen unabhängig isoliert werden.

## INSTALLATION DES INNENGERÄTS

### 1. Bringen Sie die Montageplatte an.

1. Bringen Sie die Montageplatte horizontal an tragenden Teilen der Wand an, so dass genügend Platz um die Platte herum frei bleibt.
2. Wenn die Wand aus Ziegeln, Beton o.ä. Material besteht, bohren Sie acht (8) Löcher mit einem Durchmesser von 5 mm in die Wand. Fügen Sie die Befestigungsdübel für die entsprechenden Einbauschrauben ein.
3. Befestigen Sie die Montageplatte mit acht (8) Schrauben vom Typ „A“ an der Wand.

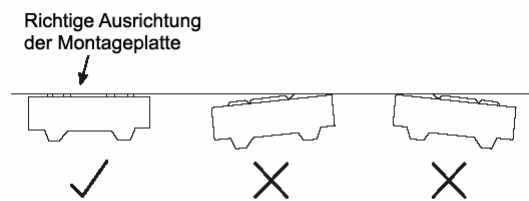


Abb. 4

Anmerkung:

Berücksichtigen Sie bei der Anbringung der Montageplatte und beim Bohren der Wandlöcher die jeweilige Wandstruktur und die entsprechenden Montagepunkte an der Platte. (Die Maße sind, wenn nicht anders angegeben, in „mm“ zu verstehen.)

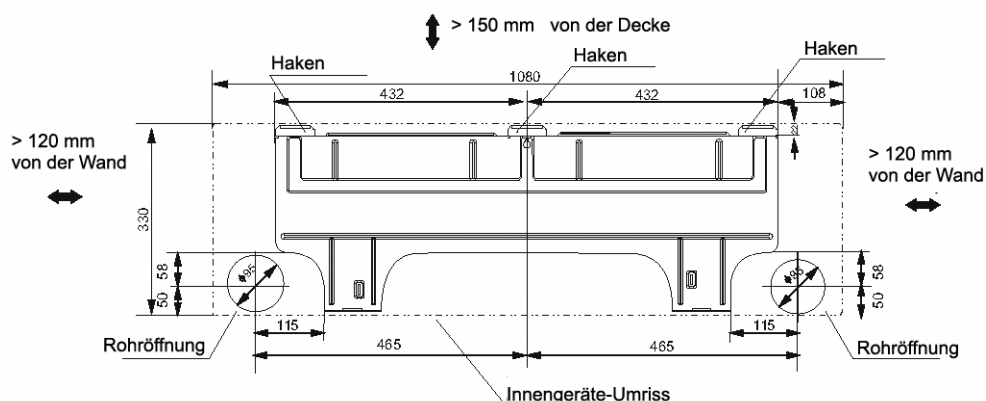


Abb. 5

### 2. Bohren Sie ein Loch in die Wand.

1. Legen Sie die Lochpositionen nach dem Schaubild in Abb. 5 fest. Bohren Sie ein (1) Loch ( $\Phi$  95 mm), das leicht nach außen geneigt ist.
2. Nutzen Sie stets einen Führungskanal, wenn Sie Metallgitter, Metallplatten o.ä. durchbohren.

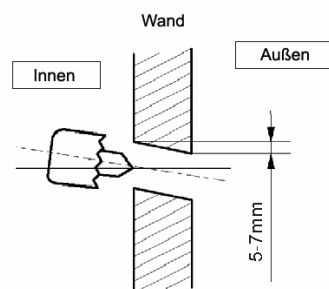


Abb. 6a

### 3. Installation des Anschlussrohrs und des Drainageschlauchs

#### Drainageschlauch

1. Verlegen Sie den Drainageschlauch so, dass er nach unten hängt. Installieren Sie den Schlauch keinesfalls wie unten dargestellt.



Abb. 6b

2. Wenn Sie einen Verlängerungsschlauch anbringen, isolieren Sie den Anschluss der Verlängerung mit einer Schutzhülse und lassen Sie den Drainageschlauch nicht durchhängen.

#### Anschlussrohr

1. Entfernen Sie die rechte oder linke Abdeckung von der Seitenwand, je nachdem, ob das Rohr rechts oder links angeschlossen werden soll.
  - Erklären Sie den Kunden, dass die Rohrabdeckung aufbewahrt werden sollte, für den Fall, dass die Klimaanlage einmal an einem anderen Ort angebracht wird.
2. Für den Anschluss des Rohrs hinten rechts oder hinten links, gehen Sie wie in der Abbildung dargestellt vor. Knicken Sie das Anschlussrohr so, dass es maximal 43 mm von der Wand verlegt wird.
3. Befestigen Sie das Ende des Anschlussrohrs. (Für die Befestigung der Verbindung s. unter KÜHLMITTELROHRANSCHLUSS)



Abb. 7

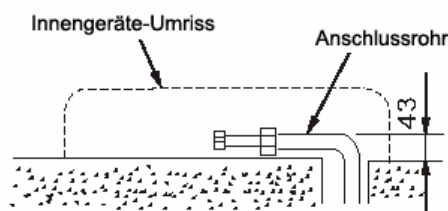


Abb. 8

#### 4. Installation des Innengeräts

1. Führen Sie die Rohrleitungen durch das Loch in der Wand.
2. Hängen Sie die Haltepratze an der Hinterseite des Innengerätes in den oberen Haken der Montageplatte und bewegen Sie das Innengerät seitwärts, um zu prüfen, ob es sicher eingehakt ist.
3. Die Rohre lassen sich einfach verlegen, indem man das Innengerät mit dem Polstermaterial, das sich zwischen dem Gerät und der Wand befindet, anhebt. Entfernen Sie das Material nach dem Verlegen der Rohre.
4. Schieben Sie das Unterteil des Innengeräts an der Wand hoch. Bewegen Sie es dann zu den Seiten und nach oben und unten, um zu überprüfen, ob es sicher festgehakt ist.

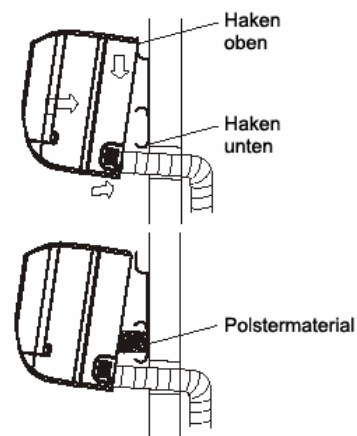


Abb. 9

## 5. Rohrverlegung

Binden Sie die Rohre, das Anschlusskabel und den Drainageschlauch mit einem Band zusammen, wie in Abb. 10 dargestellt.

- Das an der Rückseite des Innengeräts ablaufende Kondenswasser wird in einem Behälter gesammelt und durch ein Rohr aus dem Zimmer geleitet. Verwenden Sie diesen Behälter nicht zu anderen Zwecken.

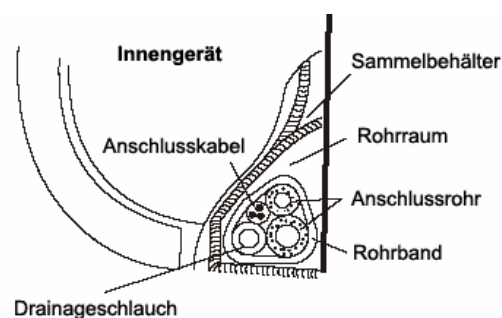


Abb. 10

## VORSICHT

- Schließen Sie zunächst das Innen- und danach das Außengerät an.
- Lassen Sie die Rohre nicht aus der Hinterseite des Innengerätes herausragen.
- Achten Sie darauf, dass der Drainageschlauch nicht durchhängt.
- Isolieren Sie beide Hilfsrohre thermisch.
- Achten Sie darauf, dass sich der Drainageschlauch an der niedrigsten Seite des Bündels befindet. Wenn er sich oben befindet, kann dies dazu führen, dass die Ablaufwanne im Gerät überläuft.
- Niemals das Stromkabel mit einem anderen Kabel kreuzen oder verschlingen.
- Der Drainageschlauch muss nach unten geneigt sein, damit das Kondenswasser reibungslos herauslaufen kann.

## INSTALLATION DES AUßENGERÄTES

### Vorsichtsmaßnahmen für die Installation des Außengerätes

- Installieren Sie das Außengerät auf einer festen Unterlage, um starken Lärm und Vibrationen zu vermeiden.
- Orientieren Sie das Abluftgebläse so, dass der Luftstrom nicht behindert wird.
- Falls der Installationsort starkem Wind ausgesetzt ist, wie z.B. am Meer, sorgen Sie dafür, dass der Ventilator richtig funktioniert, indem Sie das Gerät längs entlang der Mauer aufstellen oder Windleitbleche nutzen.
- **Stellen Sie das Gerät insbesondere in windigen Gegenden so auf, dass es möglichst wenig Wind abbekommt.**
- Wenn das Gerät aufgehängt werden soll, muss die Montagestütze die entsprechenden Übersicht angegebenen technischen Anforderungen erfüllen. Die Installationswand sollte aus festen Ziegeln, Beton oder einem vergleichbaren Baumaterial bestehen. Andernfalls muss die Wand verstärkt werden. Die Verbindung zwischen Stütze und Wand und zwischen Stütze und Klimaanlage muss fest, stabil und zuverlässig sein.
- **Stellen Sie sicher, dass der Luftstrom nicht blockiert wird.**

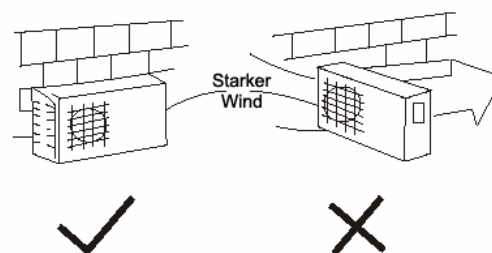


Abb. 11

## Anbringung des Außengerätes

- Befestigen Sie das Außengerät mit einer Schraube und einer Mutter ( $\Phi$  10 oder  $\Phi$  8) fest und horizontal an einer Betonunterlage oder einer festen Platte.

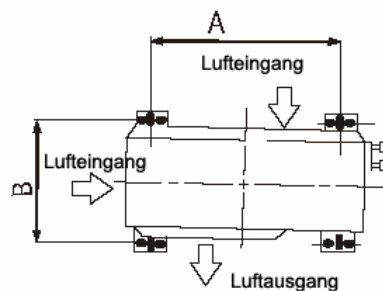


Abb. 12

## Installation der Abflusssichtung

Fügen Sie die Abflusssichtung in den Bogen des Drainageschlauchs. Legen Sie die Dichtung in das Loch der Wanne des Außengerätes und drehen Sie sie um 90°, um die Anordnung zu befestigen. Verbinden Sie die Abflusssichtung mit einem Verlängerungsschlauch (selbst erworben), falls das Wasser im Heizungsbetrieb aus dem Außengerät läuft.

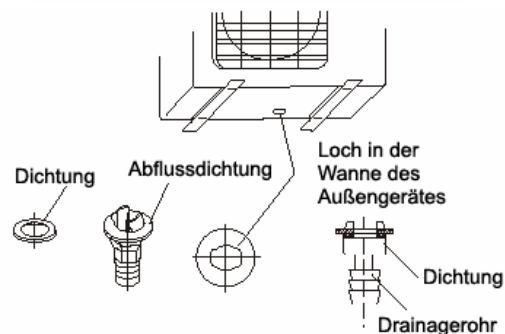


Abb. 13

## KÜHLROHRANSCHLUSS

### 1. Aufweiten

Einer der Hauptgründe für das Auslaufen von Kühlflüssigkeit sind Fehler beim Aufweiten der Rohre. Gehen Sie zum Aufweiten wie folgt vor:

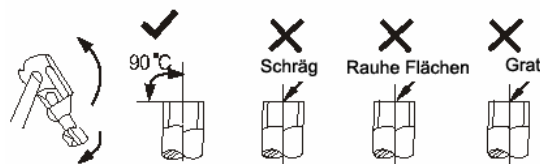


Abb. 14

### A: Zuschneide der Rohre und Kabel

1. Nutzen Sie dazu das mitgelieferte Zubehör oder selbst gekaufte Rohre.
2. Messen Sie den Abstand zwischen dem Innen- und dem Außengerät.
3. Schneiden Sie die Rohre etwas länger als den gemessenen Abstand zurecht.
4. Lassen Sie das Kabel 1,5 m länger als das Rohr.

### B: Entfernung der Grate

1. Entfernen Sie alle Grate an der Schnittfläche des Rohrs.
2. Halten Sie das Ende des Kupferrohrs beim Entfernen der Grate nach unten, damit keine Späne in das Rohr gelangen.

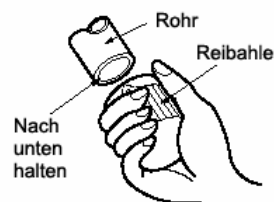


Abb. 15

### C: Einsetzen der Mutter

Entfernen Sie die Aufweitmutter am Innen- und Außengerät und bringen Sie sie nach dem Entfernen der Grate am Rohr an. (Ein Anbringen nach dem Aufweiten ist nicht mehr möglich.)

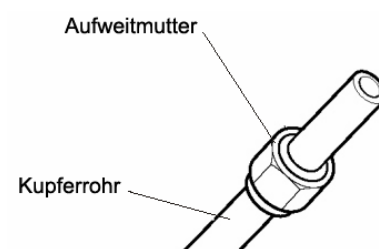


Abb. 16

### D: Aufweiten

Spannen Sie das Kupferrohr fest in eine Form mit den unten angegebenen Maßen ein.

Außendurchmesser (mm)	A (mm)	
	Max.	Min.
Φ 9,53	1,6	1,0
Φ 16	2,4	2,2

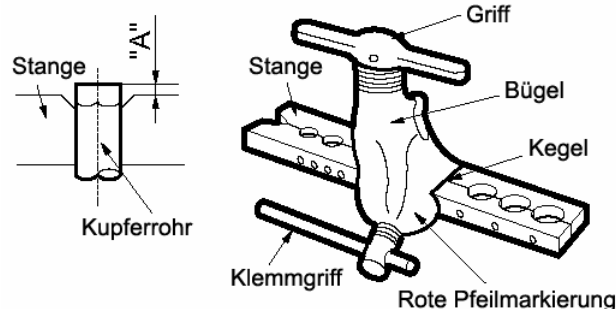


Abb. 17

### Festziehen des Anschlusses

- Richten Sie die Rohrmitte aus.
- Ziehen Sie die Aufweitmutter so gut wie möglich von Hand fest und ziehen Sie den Rest mit einem Schrauben- bzw. einem Drehmomentschlüssel fest, wie in der Abbildung dargestellt.

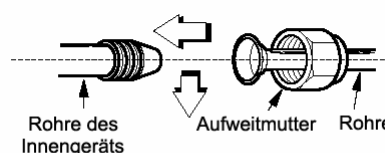


Abb. 18

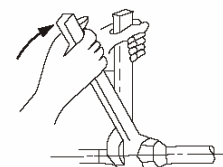


Abb. 19

### VORSICHT

- Wenn Sie zu stark anziehen, kann die Mutter je nach Installationsbedingungen brechen!

Außendurchmesser	Anzugsmoment (Ncm)	Zusätzliches Drehmoment (Ncm)
Φ 9.53	2940 (300 kgf/cm)	3430 (350 kgf/cm)
Φ 16	7360 (750 kgf/cm)	7850 (800 kgf/cm)

## ELEKTRIK

### Sicherheitshinweise zur Elektrik für die Erstinstallation

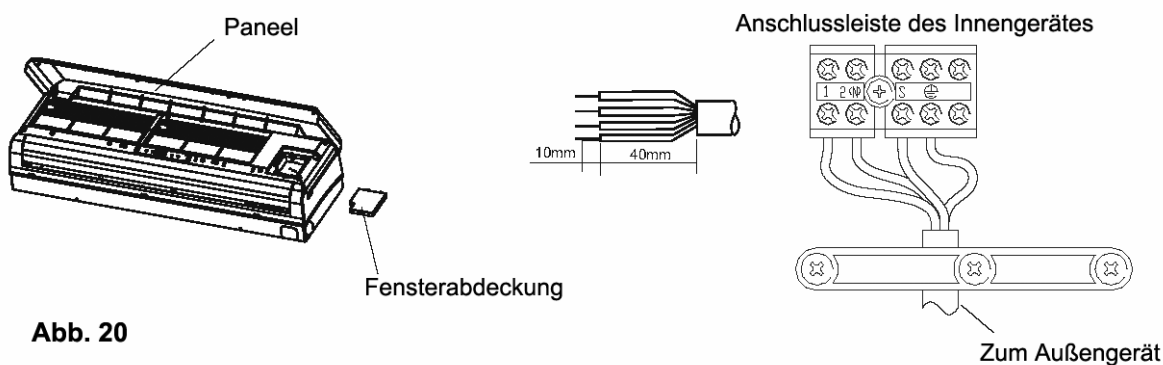
1. Wenn die Stromversorgung ein ernsthaftes Sicherheitsproblem darstellt, sollten die Techniker es ablehnen, die Klimaanlage zu installieren, bis das Problem behoben ist, und dies dem Kunden erklären.
2. Die Netzspannung sollte 90 – 110% der Nennspannung betragen.
3. Der Kriechschutz und der Hauptschalter, dessen Leistung das 1,5-fache der maximalen Stromstärke des Gerätes betragen muss, sollten im Stromkreis installiert werden.
4. Stellen Sie sicher, dass die Klimaanlage gut geerdet ist.
5. Richten Sie sich beim Kabelanschluss nach dem Schaltbild, das an der Plakette des Außengerätes angebracht ist.
6. Alle Kabel müssen die örtlichen und landesweiten Elektrovorschriften erfüllen und von entsprechend ausgebildeten und erfahrenen Elektrikern installiert werden.
7. Für diese Klimaanlage sind ein Abzweigkreis und eine eigene Steckdose vorzusehen. Für die empfohlenen Kabelgrößen und Sicherungen s. folgende Tabelle:

Stromversorgung	Nennstrom (Schalter/Sicherung)	Stromkabel
220-240V~ 50Hz	32/25A	≥ 2,5 mm <sup>2</sup>

**Anmerkung:** Die Netzspannung muss mit der Nennspannung der Klimaanlage übereinstimmen.

### Anschließen des Kabels an das Innengerät

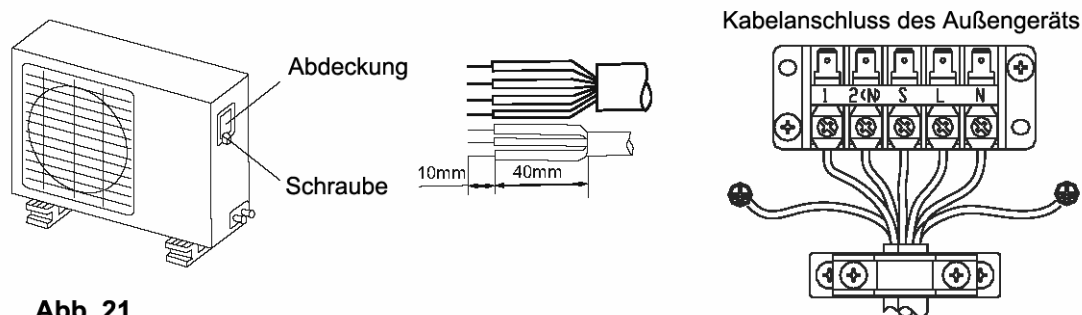
1. Das Verbindungskabel zwischen Innen- und Außengerät muss vom Typ H07RN-F sein.
2. Heben Sie die Wand des Innengeräts an und entfernen Sie die Schraube. Entfernen Sie nun die Fensterabdeckung.
3. Schließen Sie die Kabel entsprechend der Markierungen an die Anschlüsse an.
4. Isolieren Sie nicht benutzte Kabel mit PVC-Band und legen Sie sie so, dass sie keine elektrischen Teile berühren.



**Abb. 20**

### Anschließen des Kabels an das Außengerät

1. Entfernen Sie die Elektrikabdeckung vom Außengerät.
2. Schließen Sie die Anschlusskabel entsprechend ihren jeweiligen Nummern an der Anschlussleiste des Innen- und Außengeräts an die Anschlüsse an.
3. Damit kein Wasser eindringen kann, lassen Sie das Anschlusskabel, wie in der Abbildung zur Installation des Innen- und Außengeräts dargestellt, durchhängen.
4. Isolieren Sie nicht benutzte Kabel (Leitungen) mit PVC-Band und legen Sie sie so, dass sie keine elektrischen oder metallischen Teile berühren.



**Abb. 21**

## LUFTABLASSEN

Luft und Feuchtigkeit im Kühlsystem haben folgende unerwünschte Folgen:

- Druckanstieg im System
- Anstieg des Betriebsstroms
- Abfall der Kühl- bzw. Heizleistung
- Feuchtigkeit im Kühlkreislauf kann gefrieren und die feinen Rohre blockieren.
- Wasser kann Teile im Kühlsystem zum Rosten bringen.

Daher müssen das Innengerät und die Rohre zwischen Innen- und Außengerät auf undichte Stellen überprüft und werden. Nicht kondensierbare Stoffe und Feuchtigkeit sind aus dem System zu entfernen.

### Entlüftung mittels Vakuumpumpe

- Vorbereitung

Überprüfen Sie, dass alle Rohre (an der Flüssigkeits- und an der Gasseite) zwischen dem Innen- und dem Außengerät richtig angeschlossen und alle Kabel für den Probetrieb fertig verlegt sind. Entfernen Sie die Deckel von den Absperrventilen an der Gas- und an der Flüssigkeitsseite des Außengerätes. Achten Sie darauf, dass die Absperrventile an der Gas- und an der Flüssigkeitsseite des Außengerätes geschlossen sind.

- Rohrlänge und Kühlmittelmenge:

Länge des Anschlussrohrs	Entlüftungsmethode	Zusätzliche Kühlmittelzufuhr
Weniger als 5 m	Mittels Vakuumpumpe	
5~10m	Mittels Vakuumpumpe	Flüssigseite: $\Phi$ 6,35 (Rohrlänge-5) x 30g

- Wenn Sie das Gerät an einem anderen Ort aufstellen, entlüften Sie das Gerät mit einer Vakuumpumpe.
- Achten Sie darauf, dass das nachgefüllte Kühlmittel stets flüssig ist.

### Vorsicht mit dem verpackten Ventil

- Öffnen Sie den Ventilschaft so weit, bis er den Anschlag berührt. Versuchen Sie nicht, ihn weiter zu öffnen.
- Ziehen Sie die Kappe des Ventilschafts mit einem Schraubenschlüssel o.ä. fest.
- Drehmoment Ventilschaftkappe (vgl. Drehmomenttabelle auf der vorhergehenden Seite).

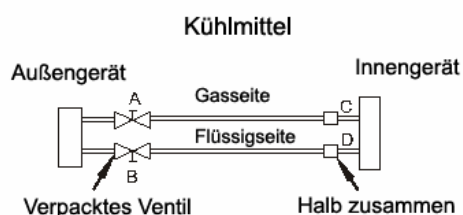


Abb. 22

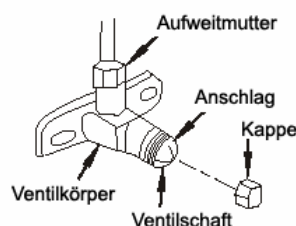


Abb. 23



### Einsatz der Vakuumpumpe

(Für den Einsatz des Blockventils s. die entsprechende Gebrauchsanweisung.)

1. Ziehen Sie die Aufweitmuttern A, B, C, D ganz fest und schließen Sie den Ladeschlauch des Blockventils an einen Ladeanschluss des Niederdruckventils an der Gasseite des Rohrs an.
2. Schließen Sie den Ladeschlauchanschluss an die Vakuumpumpe an.
3. Öffnen Sie den unteren Griff des Blockventils vollständig.
4. Betätigen Sie die Vakuumpumpe. Lösen Sie nach der Entleerung die Aufweitungsmutter des Ventils unten an der Gasrohrseite und überprüfen Sie, dass Luft eintritt. (Das Betriebsgeräusch der Vakuumpumpe ändert sich und der Mischungsmesser zeigt 0 anstatt Minus an.)
5. Schließen Sie nach dem Entleeren den unteren Griff des Blockventils und stoppen Sie die Vakuumpumpe.  
Entleeren Sie 15 Minuten oder länger und achten Sie darauf, dass der Mischungsmesser  $-76\text{cmHg}$  ( $-1 \times 10^5\text{Pa}$ ) anzeigt.
6. Drehen Sie den Schaft des verpackten B-Ventils 6-7 Sekunden nach dem Ausströmen des Gases etwa  $45^\circ$  entgegen dem Uhrzeigersinn und ziehen Sie die Aufweitungsmutter wieder fest. Achten Sie darauf, dass der angezeigte Druck etwas höher ist als der Luftdruck.
7. Entfernen Sie den Ladeschlauch vom Niederdruckschlauch.
8. Öffnen Sie die verpackten Ventilschäfte B und A.
9. Ziehen Sie die Kappe des verpackten Ventils gut fest.

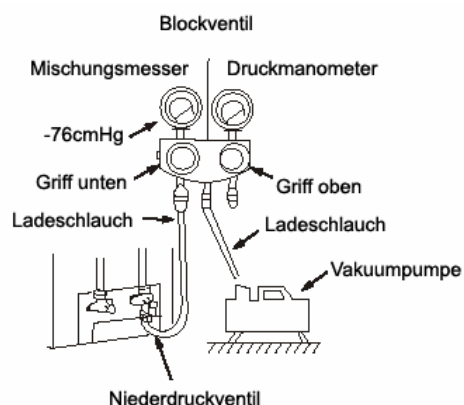


Abb. 24

## VORSICHT

Nach Überprüfung der o.g. Installationsbedingungen bereiten Sie die das Verlegen der Kabel wir folgt vor:

- 1) **Es muss immer einen eigenen Stromkreis nur für die Klimaanlage geben. Richten Sie sich für das Verkabeln nach dem Schaltbild, das sich an der Innenseite der Steuerabdeckung befindet.**
- 2) **Die Schrauben, mit denen die Kabel im Gehäuse der Elektroarmaturen festgehalten werden, können sich durch die Vibrationen, denen das Gerät während des Transports ausgesetzt ist, lösen. Überprüfen Sie daher alle Schraubverbindungen und achten Sie darauf, dass sie alle gut festgezogen sind. (Wenn sie locker sitzen, kann es zum Ausbrennen der Kabel kommen.)**
- 3) **Wählen Sie die Stromquelle aus.**
- 4) **Vergewissern Sie sich, dass die Stromleistung ausreichend ist.**
- 5) **Achten Sie darauf, dass die Anlaufspannung auf über 90% der auf dem Typenschild angegebenen Nennspannung gehalten wird.**
- 6) **Bestätigen Sie, dass die Kabeldicke mit den Angaben zur Stromversorgung übereinstimmt.**
- 7) **Installieren Sie in nassen oder feuchten Gebieten stets einen Fehlerstromschutzschalter.**
- 8) **Ein Stromabfall kann folgende Konsequenzen haben:**  
Vibration eines Magnetschalters mit nachfolgender Beschädigung der Kontaktstelle, Herausspringen der Sicherung, Störung der normalen Überlastungsfunktion.
- 9) **In der festen Leitung sollten Möglichkeiten zum Abschalten von der Stromzufuhr vorgesehen sein. Ferner muss ein Abstand von mindestens 3 mm zwischen den Kontakten in jedem aktiven (Phasen-) Leiter geben sein.**

## PRÜFUNG AUF ELEKTRISCHE SICHERHEIT UND GASAUSTRITTE

- Prüfung auf elektrische Sicherheit

Prüfen Sie die Anlage nach Abschluss der Installation auf elektrische Sicherheit. Gehen Sie dabei wie folgt vor:

1. Isolierter Widerstand  
Der isolierte Widerstand muss mehr als  $2M\Omega$  betragen.
2. Erdung  
Messen Sie den Erdwiderstand optisch und mit einem Erdwiderstandsprüfer. Achten Sie darauf, dass der Erdwiderstand kleiner als  $4\Omega$  ist.
3. Prüfung auf Kriechverlust (während des Probetriebs)
4. Während des Probetriebs kann der Installateur eine Stromsonde und ein Vielfachmessgerät einsetzen, um eventuelle Kriechverluste festzustellen. Schalten Sie das Gerät sofort ab, wenn Kriechverluste festgestellt werden.  
Überprüfen Sie das Gerät und suchen Sie eine Lösung, bis die Anlage richtig funktioniert.

- Überprüfung auf austretendes Gas

1. Mit Seifenwasser:  
Geben Sie mit einer weichen Bürste Seifenwasser oder ein mildes flüssiges Spülmittel auf den Anschluss des Innengeräts bzw. die Anschlüsse des Außengeräts, um zu überprüfen, ob an den Rohranschlusspunkten Gas austritt. Wenn sich Blasen bilden, sind die Rohre undicht.
2. Lecksucher  
Verwenden Sie einen Lecksucher, um undichte Stellen aufzuspüren.

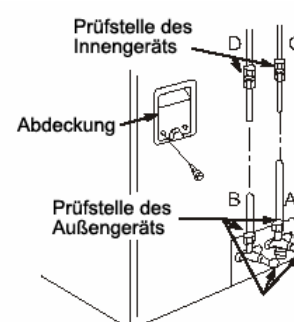


Abb. 25

### VORSICHT

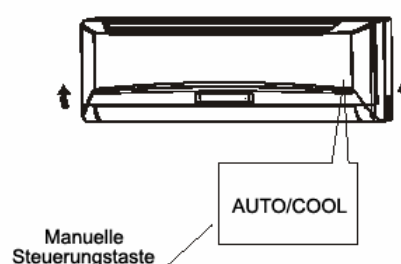
- A: Verpacktes Ventil unten
- B: Verpacktes Ventil oben
- C und D sind die Anschlussenden des Innengeräts

## PROBEBETRIEB

Führen Sie nach der Überprüfung auf elektrische Sicherheit und Gasaustritt einen Probetrieb durch.

Der Probetrieb sollte mindestens 30 Minuten andauern.

1. Öffnen Sie die Abdeckung und heben Sie sie an, bis sie einrastet. Heben Sie die Abdeckung nicht weiter an, nachdem Sie das entsprechende Klickgeräusch gehört haben.
2. Drücken Sie die manuelle Steuertaste zweimal, bis die Betriebslampe aufleuchtet. Das Gerät läuft nun im Kühlmodus.
3. Überprüfen Sie während des Probetriebs, ob alle Funktionen gut ansprechen. Überprüfen Sie insbesondere, ob der Wasserablauf des Innengeräts reibungslos funktioniert.
4. Drücken Sie nach Abschluss des Probetriebs erneut auf die manuelle Steuertaste. Die Betriebsanzeige geht aus und das Gerät stoppt den Betrieb.





# INHOUD

VEILIGHEIDSMATREGELEN .....	2
INSTALLATIE VAN DE INTERNE EN EXTERNE UNITS .....	3
INSTALLATIEVOORSCHRIFTEN .....	5
ELEKTRICITEIT .....	9
ONTLUCHTING .....	11
PROEFDRAAIEN .....	13

## **OPGELET**

**Installeer, demonteer of herinstalleer  
dit apparaat niet persoonlijk**

- Een verkeerde installatie kan lekkage, elektrische schokken of brand veroorzaken. Vertrouw de installatie toe aan een erkende dealer of specialist. De garantie dekt geen beschadiging tengevolge van een onjuiste installatie.
- Dit apparaat dient te worden geïnstalleerd op een goed toegankelijke plaats. De bijkomende onkosten voor het huren van specifieke apparaten voor het functioneren van deze unit zijn voor rekening van de klant.

## VEILIGHEIDSMATREGELEN

**Met het oog op de veiligheid, dient u steeds rekening houden met het volgende:**

- Lees de hierna volgende waarschuwingen vóór u de airconditioner installeert.
- Lees de voorzorgsmaatregelen, zij betreffen belangrijke aspecten voor uw veiligheid.
- Bewaar de instructies binnen handbereik nadat u ze heeft gelezen. Zo kunt u ze in de toekomst eenvoudig raadplegen.

### △ OPGELET

#### Installeer dit apparaat niet persoonlijk.

- Een onjuiste installatie kan beschadigingen veroorzaken tengevolge van brand, elektrische schokken, het vallen van de unit of waterlekage. Raadpleeg de dealer waar u het apparaat heeft gekocht of wendt u tot een specialist.

#### Installeer het apparaat stevig op een plaats die het gewicht kan dragen.

- Indien de installatie geschiedt op een onvoldoende sterke plaats, kan de unit vallen en verwondingen veroorzaken.

#### Gebruik de aangewezen draden om de externe en interne units aan te sluiten en steek ze in de desbetreffende stopcontacten, zonder ze strak aan te spannen.

- Een onjuiste verbinding en bevestiging kan brand veroorzaken.

#### Gebruik voor de installatie altijd de bijgevoegde of aangewezen onderdelen.

- Het gebruik van ondeugdelijke onderdelen kan verwondingen veroorzaken tengevolge van brand, elektrische schokken, het vallen van de unit, etc.

#### De installatie moet veilig geschieden, na raadpleging van de installatievoorschriften.

- Een onjuiste installatie kan verwondingen veroorzaken tengevolge van brand, elektrische schok, het uitvallen van de unit of waterlekage.

#### Voer de elektrische montage uit overeenkomstig de installatiehandleiding en gebruik een apart circuit voor dit apparaat.

- Indien het vermogen van het elektrisch circuit onvoldoende is of de elektrische installatie niet is voltooid, kan dit aanleiding geven tot brand of elektrische schokken.

#### Van zodra de installatie is beëindigd, dient u te checken dat er geen lekkage van het koelgas voorkomt.

#### Maak het deksel van het elektrisch gedeelte van de interne unit en het bedieningspaneel van de externe unit stevig vast.

- Indien de deksels van het elektrisch gedeelte of van het bedieningspaneel van de externe unit niet stevig zijn bevestigd, kan dit aanleiding geven tot brand of elektrische schokken tengevolge van binnendringen van stof, water, etc.

### △ VOORZORGSMATREGELEN

#### Installeer de unit niet op een plaats waar er lekkage is van brandbaar gas.

- Indien er lekkage of opeenhoping van gas ontstaat dichtbij het apparaat bestaat er explosiegevaar.

#### Span de afvoerleidingen en andere leidingen overeenkomstig de installatievoorschriften.

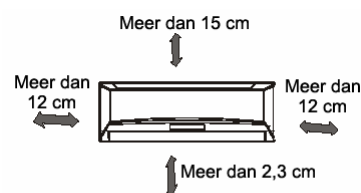
- Onjuist aangelegde leidingen kunnen lekkage veroorzaken en bijgevolg bestaat er het gevaar dat andere elementen in het huis nat worden en beschadigd worden.

## MONTAGE VAN DE INTERNE EN EXTERNE UNITS

*Lees eerst dit hoofdstuk volledig uit en volg daarna stap voor stap de instructies.*

### Interne unit

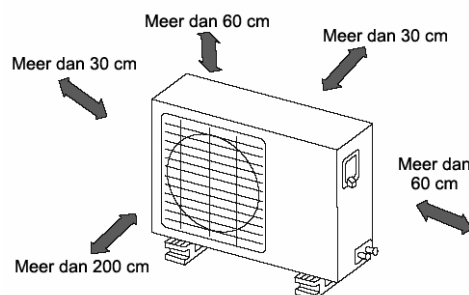
- Stel de interne unit niet bloot aan warmte of damp.
- Kies een plaats uit zonder obstakels aan de voorzijde van de unit of er rondom heen.
- Zorg ervoor dat de condensatieafvoer eenvoudig kan geschieden.
- Plaats het apparaat niet dichtbij een deur.
- Zorg ervoor dat het apparaat meer dan 12 cm. vrij heeft aan beide zijden.
- Gebruik een metaaldetector om spijkers op te sporen teneinde de wand niet nodeloos te beschadigen.
- De leiding moet tenminste 3 meter lang zijn om de trillingen en het geluid te dempen.
- De interne unit dient te worden geplaatst tegen een wand op een hoogte van 2,3 meter of meer.
- De interne unit dient zich te bevinden op een afstand van minimum 15 cm. van het plafond.
- Elke afwijking van de leidinglengte kan aanpassingen vergen van de koelgasvulling



**Figuur 1**

### Externe unit

- Indien een zonnetent of een gelijkaardig element wordt geplaatst boven de externe unit om het te beschermen tegen de rechtstreekse zonnestralen of regen, dan dient u er voor te zorgen dat de warmtestraling vanuit de condensator niet wordt beperkt.
- De vrije opening aan de zij- en achterkant van de unit dient tenminste 30 cm. groot te zijn. Vóór de unit moeten er tenminste 200 cm. vrij blijven en tenminste 60 cm. aan de zijde van de leidingen (rechterkant).
- Plaats geen dieren of planten in het traject van de luchttoevoer of -afvoer.
- Houdt rekening met het gewicht van het apparaat en kies een plaats waar het geluid en de trillingen geen problemen veroorzaken.
- Kies een plaats waar de warme lucht en de geluiden van de airconditioner geen burenhinder veroorzaken.



**Figuur 2**

### Installatie op een dak:

- Indien u de externe unit monteert op een dakstructuur, moet deze waterpas staan. Controleer of de structuur van het dak en de methode van verankering geschikt zijn om de unit te bevestigen.
- Raadpleeg de plaatselijke reglementen voor montage op daken.
- Indien u de externe unit monteert op een dak of een buitenmuur, kunnen de geluidsoverlast en trillingen als overmatig worden beschouwd; bovendien kan de installatie worden ingedeeld in de categorie van onmogelijk te onderhouden apparaten.

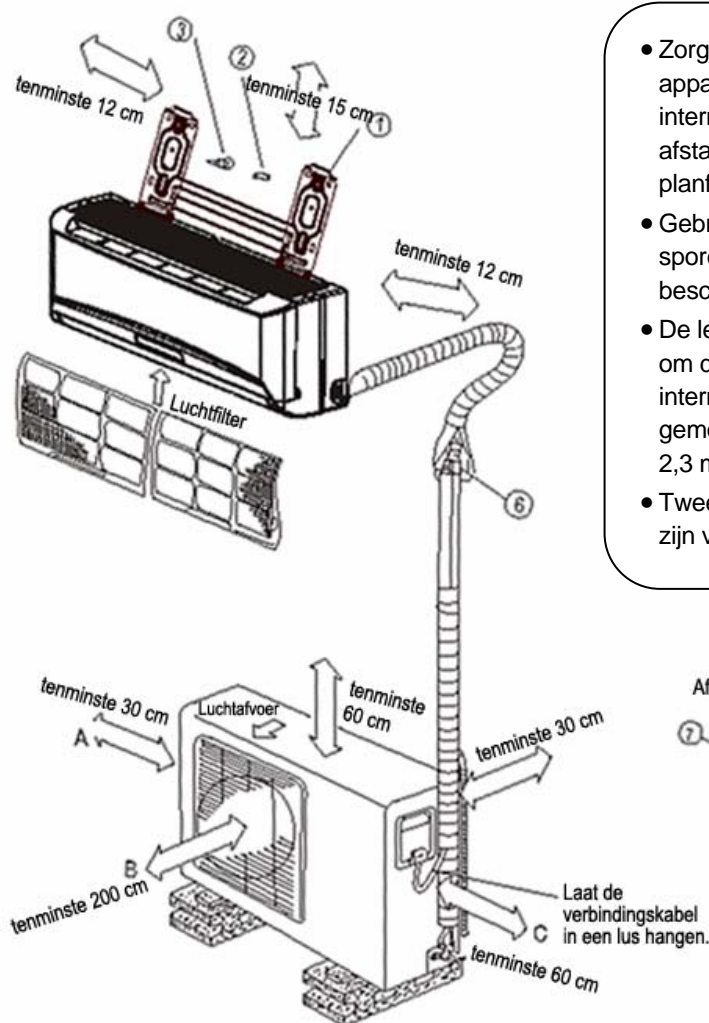
**Inhoud van de verpakking**

Nummer	Beschrijving van de accessoires		Hoeveelheid	
1	Montageplaat		1	
2	Verankeringsplug		8	
3	Kraagschroeven A ST3.9X25		8	
4	Afdichting		1	
5	Afdichting van de uitsparing		1	
6	Set van aansluitingsleidingen	Vloeistofzijde	Φ 9,53	Door de gebruiker aan te kopen onderdelen
		Gaszijde	Φ 16	
7	Afstandsbediening		1	
8	Kraagschroeven B ST3.9X10		2	
9	Houder voor de afstandsbediening		1	

Opmerking: Naast de hierboven beschreven onderdelen welke bij het apparaat worden geleverd, moet de gebruiker alles wat voor de installatie nodig is zelf aanschaffen.

**BELANGRIJK**

- Zorg ervoor dat er aan beide zijden van het apparaat een open ruimte is van 12 cm. De interne unit moet worden bevestigd op een afstand van minimum 15 cm. van het plafond.
- Gebruik de metaaldetector om spijkers op te sporen, teneinde de wand niet nodeloos te beschadigen.
- De leiding moet tenminste 3 meter lang zijn om de trillingen en geluiden te dempen. De interne unit dient aan de wand te worden gemonteerd op een hoogte van tenminste 2,3 meter van de vloer.
- Twee van de A, B en C richtingen moeten vrij zijn van obstakels.



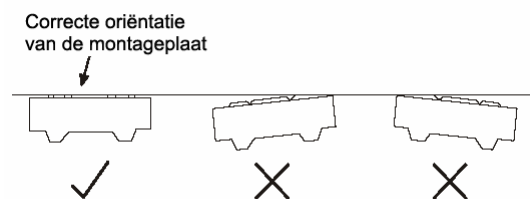
Figuur 3

- Deze figuur is uitsluitend bedoeld als toelichting.
- De koperen leidingen dienen apart te worden geïsoleerd.

## INSTALLATIE VAN DE INTERNE UNIT

### 1. Plaatsing van de montageplaat

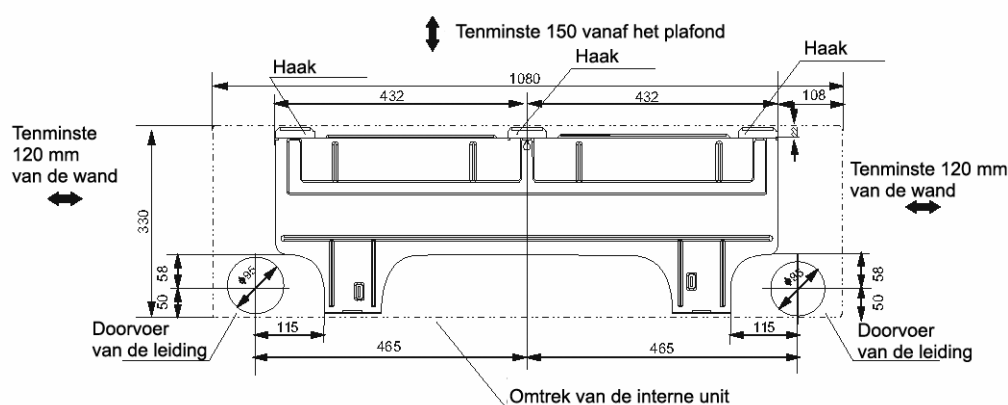
1. Plaats de montageplaat horizontaal op een structurelement van de wand en zorg ervoor dat er rondom voldoende plaats is.
2. Indien het een bakstenen of betonnen wand betreft of een wand van gelijkaardig materiaal, boort u acht (8) gaten met een diameter van 5 mm. Breng de verankeringspluggen voor de gepaste montageschroeven aan.
3. Monteer de montageplaat aan de wand met behulp van acht (8) schroeven van het type "A".



Figuur 4

Opmerking:

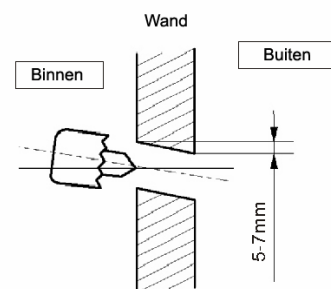
Voor het monteren van de montageplaat en het boren van de gaten in de wand houdt u rekening met de wandstructuur en de desbetreffende montagepunten van de plaat. (De afmetingen worden in mm. gegeven, tenzij anders is vermeld.)



Figuur 5

### 2. Boor een gat in de wand

1. Bepaal de plaats van de gaten overeenkomstig het schema van figuur 5. Boor één (1) gat ( $\Phi$  95 mm) dat iets overhelt naar buiten toe.
2. Gebruik steeds een doorvoerisolator wanneer het gat in een rooster, een metalen plaatje of een element van gelijkaardig materiaal wordt gemaakt.



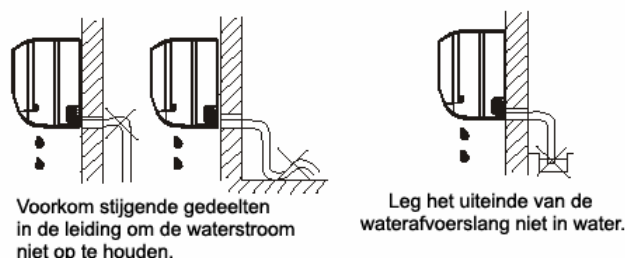
Figuur 6a



### 3. Installatie van de waterafvoer- en verbinding sleidingen

#### Waterafvoer

1. Installeer de waterafvoerslang naar beneden toe. Leg hem niet in een stand zoals is aangegeven op de volgende afbeeldingen.

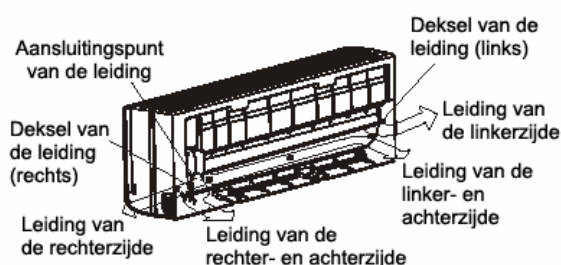


Figuur 6b

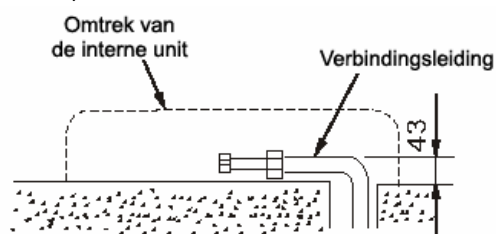
2. Bij verlenging van de waterafvoerslang moet het verbindingstuk van de verlenging geïsoleerd worden met behulp van een beschermende hoes. Laat de waterafvoerslang niet los hangen.

#### Verbinding sleiding

1. Om de leidingen links of rechts uit het apparaat te halen verwijdert u de desbetreffende deksels in het zijpaneel.
  - Leg de klant uit dat hij de deksels van de leidingen moet bewaren voor het geval deze weer aangewend moeten worden wanneer het apparaat wordt verplaatst.
2. Om de rechtse en linkse leidingen aan de achterzijde uit het apparaat te halen, dient u de volgende instructies in acht te nemen. Vouw de verbinding sleiding dubbel en leidt hem tot op 43 mm of minder van de wand.
3. Bevestig het uiteinde van de verbinding sleiding. (Raadpleeg Vastmaken van de leidingen en AANSLUITING VAN DE KOELMIDDELEIDINGEN)



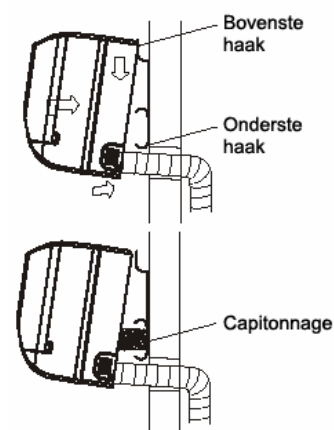
Figuur 7



Figuur 8

#### 4. Installatie van de interne unit

1. Haal de leiding door de opening in de wand.
2. Plaats de bovenste haak die zich aan de achterzijde van het apparaat bevindt in de bovenste haak van de plaat en beweeg de unit heen en weer om te checken of hij stevig is opgehangen.
3. U kunt de leidingen eenvoudig aansluiten door de unit op te heffen. Hiervoor plaatst u een kussen tussen de unit en de wand. Haal dit kussen weg nadat u de leidingen heeft gemonteerd.
4. Duw het onderste gedeelte van de unit naar omhoog, naar het bovenste gedeelte van de wand toe. Beweeg de unit heen en weer en van boven naar onder om te checken of hij stevig is verankerd.

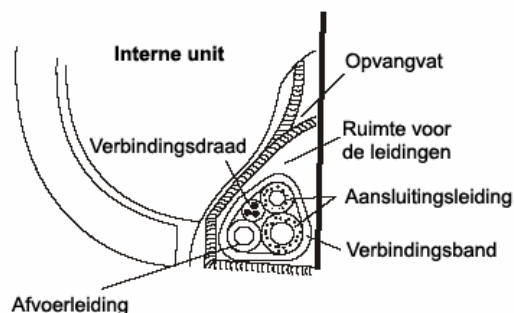


Figuur 9

## 5. Bekleding van de leidingen

Maak de leidingen, de verbindingsdraden en de afvoer aan elkaar met behulp van god aangedrukte en uniform aangebrachte kleefband zoals is aangegeven op figuur 10.

- Het gecondenseerd water aan de achterzijde van de unit wordt opgevangen in een vat en buiten de kamer geleidigd. Plaats geen voorwerpen in het vat.



Figuur 10

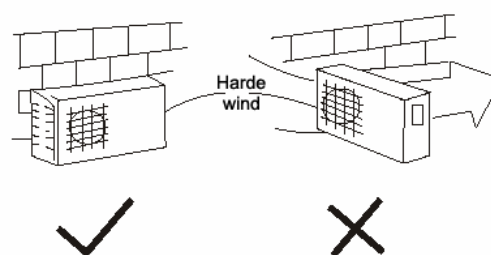
### BELANGRIJK

- Sluit eerst de interne en vervolgens de externe unit aan.
- Haal de leidingen niet rechtstreeks uit de achterzijde van de interne unit.
- Zorg ervoor dat de afvoer niet los hangt.
- Breng een thermische isolatie aan op de aanvullende leidingen.
- Zorg ervoor dat de afvoerleiding zich op het laagste punt van de unit bevindt. Hogerop zou het opvangvat kunnen overlopen en het interieur van de unit bevochtigen.
- Leg de elektrische stroomkabel niet kruisgewijs of verstrengel hem niet met andere draden.
- Plaats de afvoerleiding naar beneden toe zodat het gecondenseerd water eenvoudig kan wegstromen. vloeien.

## INSTALLATIE VAN DE EXTERNE UNIT

### Voorzorgsmaatregelen voor de installatie van de externe unit

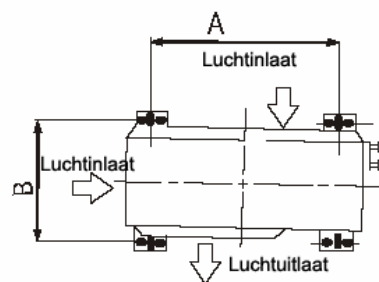
- Monteer de externe unit op een onbuigzaam steunvlak om trillingen en geluiden te dempen.
- Oriënteer de luchtuitlaat zodat deze niet wordt belemmerd.
- Indien het apparaat is blootgesteld aan sterke wind zoals op plaatsen dichtbij de zee, zorg er dan voor dat de ventilator correct functioneert door de unit parallel aan de muur te monteren of door een windscherm te plaatsen.
- **Installeer de unit zodat de wind er niet in kan, in het bijzonder, op plaatsen die zijn blootgesteld aan sterke wind.**
- Bij het ophangen van de unit dient het steunvlak te voldoen aan de technische vereisten die in het desbetreffend schema worden beschreven. De muur waarop de unit wordt geïnstalleerd moet zijn van bakstenen, beton of van een ander gelijkaardig, stevig materiaal. Indien dit niet het geval is moet de structuur worden versterkt en de impact op het onderstel gebroken. De muurankers en de ankers van het apparaat op het onderstel moeten stevig, stabiel en betrouwbaar zijn.
- **Zorg ervoor dat er geen enkel voorwerp de luchtuitlaat belemmert.**



Figuur 11

## Plaatsing van de externe unit

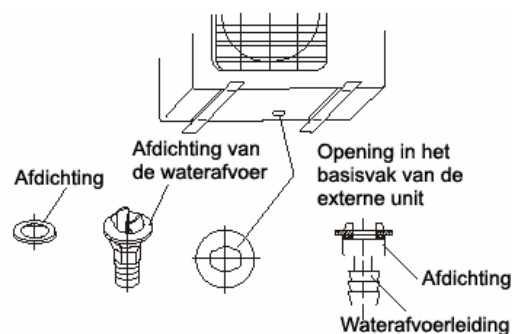
- Veranker de externe unit horizontaal en stevig op een betonnen basis of op een onbuigzaam onderstel met behulp van bouten en moeren van een diameter van  $\Phi 10$  of  $\Phi 8$  mm.



Figuur 12

## Montage van de afdichting voor de waterafvoer

Monteer de afdichting op de bocht van de waterafvoer en breng hem vervolgens in de opening van het basisvak van de unit; draai de afdichting 90 graden om teneinde het geheel stevig in elkaar te sluiten. Sluit de afvoerafdichting aan op de verlenging van de waterafvoerleiding (apart aan te schaffen) indien de externe unit water afvoert wanneer het in modus verwarming functioneert.

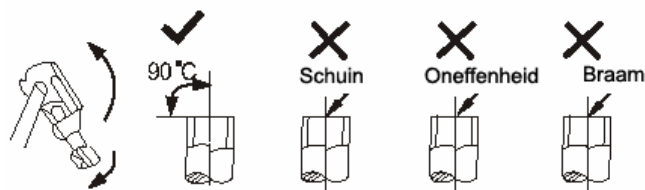


Figuur 13

## VERBINDING VAN DE KOELMIDDELEIDING

### 1. Verwijding

Een defecte verwijding is de belangrijkste oorzaak voor lekkage van het koelmiddel. Voer de verwijding correct uit overeenkomstig de hierna beschreven methode:



Figuur 14

### A: Afknippen van leidingen en draden.

1. Gebruik het hulpstuk uit de leidingenkit of de leidingen die u apart heeft aangekocht.
2. Meet de afstand tussen de interne en de externe unit.
3. Knip de leidingen iets langer af dan de gemeten afstand.
4. Knip een stuk kabel af dat 1,5 m. langer is dan de leiding.

### B: Afnemen van de bramen

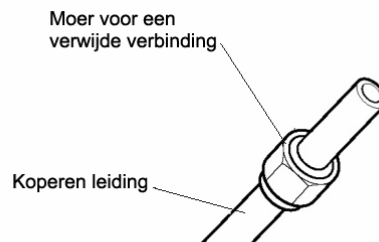
1. Verwijder alle bramen van de rand van de leidingen
2. Houd de koperen leiding naar beneden toe gericht terwijl u de bramen afneemt zodat deze er niet in terecht komen



Figuur 15

### C: Plaatsing van de moeren

Verwijder de moeren voor verwijde verbindingen van de interne en externe unit weg en plaats ze op de leiding nadat u de bramen heeft weggehaald (na het verwijderen kunnen ze niet gemonteerd worden)

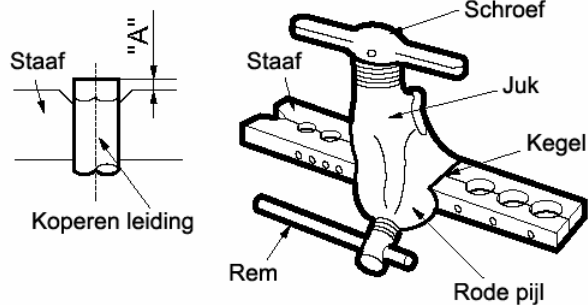


Figuur 16

### D: Verwijden

Zet de koperen leiding stevig vast in een draadsnijder met de afmetingen zoals aangeduid in de hierna volgende tabel

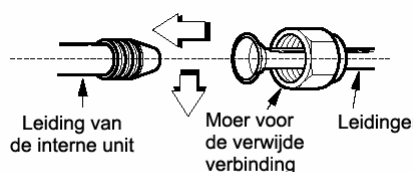
exter. dia.	A (mm)	
	Max.	Min.
Φ 9,53	1,6	1,0
Φ 16	2,4	2,2



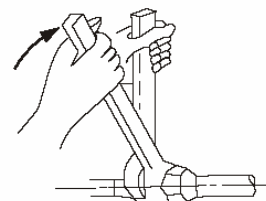
Figuur 17

### Aanspannen van de verbinding

- Breng de middelpunten van de leidingen op één lijn.
- Draai de moer zo goed mogelijk met de vingers vast en span hem daarna aan met behulp van een vaste, dynamometrische sleutel zoals in de figuur wordt afgebeeld



Figuur 18



Figuur 19

### BELANGRIJK

- Overmatige torsie kan de moer doen breken onder bepaalde montageomstandigheden.

Exter. dia.	Torsiekoppel (N.cm)	Extra torsiekoppel (N.cm)
Φ 9.53	2940 (300 kgf.cm)	3430 (350 kgf.cm)
Φ 16	7360 (750 kgf.cm)	7850 (800 kgf.cm)

## ELEKTRICITEIT

Reglementen voor elektrische veiligheid van de oorspronkelijke installatie

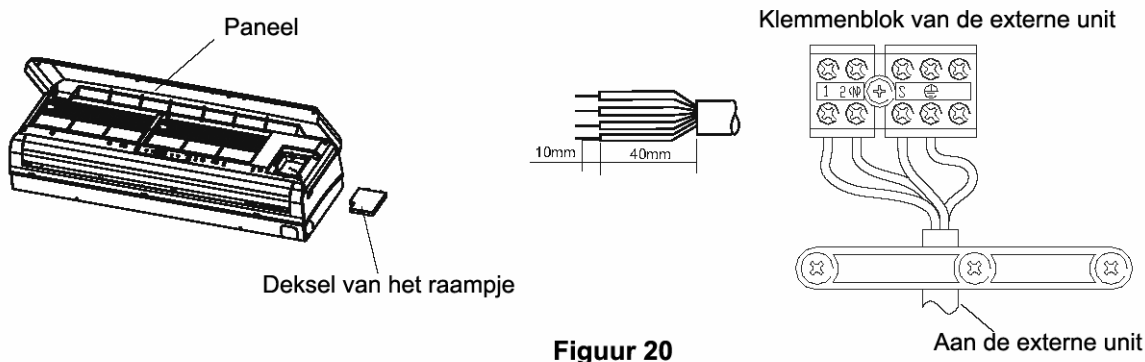
1. Indien het elektriciteitsnet ernstige veiligheidsproblemen vertoont moet de technicus weigeren de airconditioner te installeren en de klant mededelen dat eerst de tekortkomingen moet opgelost worden.
2. De voedingsspanning dient te liggen tussen 90 % en 110 % van de nominale waarde.
3. De elektrische stroomkring moet voorzien zijn van een differentiaalbeveiliging en een hoofdschakelaar waarvan de stroomsterkte gelijk is aan 1,5 keer de stroomsterkte die door de unit wordt geabsorbeerd
4. Controleer of de airconditioner goed geaard is.
5. Om de bedrading aan te sluiten volgt u het schema van elektrische aansluitingen dat zich bevindt op het paneel van de externe unit.
6. Alle aansluitingen dienen te voldoen aan de plaatselijke en nationale elektrische reglementen en moeten worden geïnstalleerd door gekwalificeerde en bevoegde elektriciens.
7. De airconditioner dient te worden aangesloten op een individueel circuit met slechts één aansluiting. Raadpleeg de volgende tabel met de afmetingen van de bedrading en de specificaties van de zekeringen.

Voeding	Nominale stroomsterkte schakelaar/ zekering	Doorsnede van de stroomkabel
220-240 V~ 50 Hz	32/25 A	≥ 2,5 mm <sup>2</sup>

**OPMERKING:** de voedingsspanning moet in overeenstemming zijn met de nominale spanning van de airconditioner.

### Sluit de draad op de interne unit aan

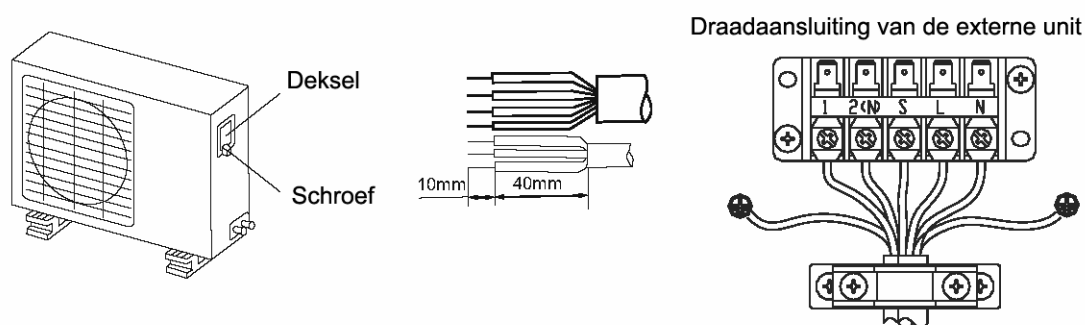
1. De verbindingsdraad intern- extern dient te zijn van het type H07RN-F.
2. Til het paneel van de interne unit omhoog en haal de schroef weg; verwijder vervolgens het deksel van het raampje.
3. Sluit de bedrading aan op de poolklemmen overeenkomstig de merktekens
4. Bescherm de niet aangesloten draden met isolatieband zodat zij niet in aanraking kunnen komen met elektrische onderdelen.



**Figuur 20**

### Sluit de bedrading aan op de externe unit

1. Verwijder het deksel van de elektrische onderdelen van de externe unit.
2. Sluit de draden aan op de klemmen overeenkomstig de identificatienummers van de interne en externe klemmenblokken.
3. Teneinde het binnensijpelen van water te voorkomen vormt u met de draad een hangende lus, zoals is afgebeeld om het montageschema van de interne en externe units.
4. Isoleer de niet gebruikte draden (geleiders) met PVC-band. Schik ze op een manier dat ze niet in aanraking kunnen komen met een elektrisch of metalen onderdeel.



**Figuur 21**

## ONTLUCHTING

Het opeenhopen van lucht en vocht in het koelsysteem kan de hierna genoemde nadelige effecten veroorzaken:

- Verhoogde druk van het systeem.
- Verhoogd elektriciteitsverbruik.
- Verlaagd koelings- of verwarmingsrendement voor koeling of verwarming.
- Het water in het koelcircuit kan bevriezen en de capillaire leidingen kunnen verstopen
- Het water kan corrosie veroorzaken op de onderdelen van het koelsysteem.

Derhalve moeten de interne unit en de verbindingsleidingen met de externe unit gecontroleerd worden op lekkage. Bovendien moeten de niet condenseerbare stoffen en het vocht uit het systeem worden verwijderd.

### Ontluchting met behulp van een vacuümpomp

- Voorbereiding

Controleer of alle leidingen (zowel gas- als vloeistofleidingen) tussen de interne en externe unit zijn aangesloten en dat de elektrische verbindingen zijn voltooid om de test op te starten. Haal de deksels van de kleppen die in gebruik zijn aan de gas- en vloeistofzijden van de externe unit. Zorg ervoor dat de kleppen van de externe unit in deze fase gesloten zijn.

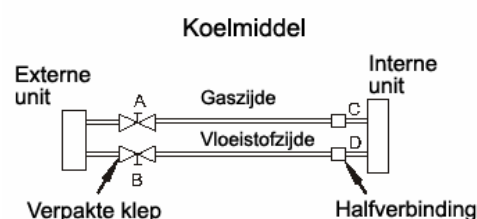
- Lengte van de leiding en hoeveelheid koelmiddel:

Lengte van de verbindingsleiding	Ontluchtingsmethode	Extra hoeveelheid koelmiddel dat moet worden gevuld
Minder dan 5 m	Vacuümpomp	_____
5~10 m	Vacuümpomp	Aan de zijde van de vloeistof: $\Phi$ 6,35 (Lengte van de leiding - 5) x 30 g

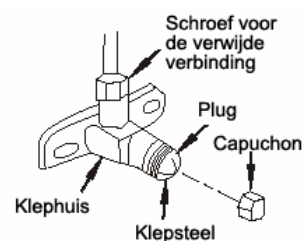
- Bij verplaatsing moet de unit worden ontlucht met behulp van een vacuümpomp.
- Zorg ervoor dat het aan de airconditioner toegevoegde koelmiddel altijd in vloeibare toestand is.

### Voorzorgsmaatregelen om de verpakte klep te behandelen

- Open de klepsteel tot hij tegen de plug stuit. Probeer de klep niet verder te openen.
- Open het kapje van de klepsteel met behulp van een sleutel of een gelijkaardig instrument.
- Draai de capuchon van de klepsteel vast met een dynamometrische sleutel (zie de tabel met torsiemarkeringen op de voorgaande pagina).



Figuur 22



Figuur 23

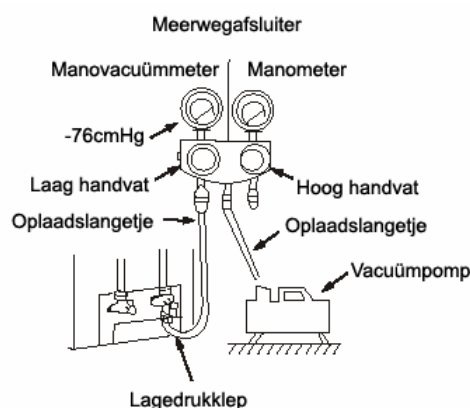
**Gebruik van de vacuümpomp**

(Raadpleeg de bediening van de meerwegafsluiter in de desbetreffende handleiding).

1. Draai de moeren van de verwijde A, B, C, D verbinding stevig vast, sluit het oplaadslangetje van de meerwegafsluiter aan op de laadgaten van de laagspanningsklep aan de zijde van de gasleiding.
2. Sluit het oplaadslangetje aan op de vacuümpomp.
3. Open het laag handvat van de meerwegafsluiter.
4. Start de pomp om het circuit te ledigen. Van zodra dit proces op gang is gebracht, draait u de moer van de verwijde verbinding van de lage klep aan de zijde van de gasleiding lichtje los en controleert u of er lucht in stroomt //komt (het geluid van de vacuümpomp verandert en de manometer geeft 0 aan in plaats van negatief.)
5. Nadat de lediging is voltooid sluit u het laag handvat van de meerwegafsluiter en stopt u de pomp.

Voor een lediging uit van 15 minuten of langer en controleer of de manovacuümmeter  $-76 \text{ cm Hg}$  ( $-1 \times 10^5 \text{ Pa}$ ) aangeeft.

6. Draai de steel van de verpakte B klep  $45^\circ$  tegen de zin van de wijzers van een uurwerk in gedurende 6~7 seconden, nadat het gas naar buiten is gekomen en draai de moer weer vast. Zorg ervoor dat de druk die de manovacuümmeter aangeeft iets hoger is dan de atmosferische druk.
7. Haal het oplaadslangetje uit het lagedruk oplaadslangetje
8. Open alle stelen van de verpakte B en A kleppen.
9. Draai de capuchon van de verpakte klep stevig vast.



Figuur 24

**BELANGRIJK**

Na bevestiging dat aan de bovenstaande voorwaarden is voldaan, bereidt u de verbindingen voor als volgt:

- 1) De airconditioner dient altijd te worden aangesloten op een apart circuit, uitsluitend bestemd voor dit apparaat. Sluit de draden aan overeenkomstig het schema dat aan de binnenzijde van het controledeksel is bevestigd.
- 2) De schroeven die de draden vasthouden in de behuizing van de elektrische aansluitingen kunnen losser worden door de trillingen tijdens het transport. Check de schroeven en zorg ervoor dat ze stevig worden aangedraaid. (Als ze los zijn kunnen de draden verbranden).
- 3) Specificatie van de elektriciteitsvoorziening.
- 4) Controleer of het vermogen van het circuit voldoende hoog is.
- 5) Controleer of de startspanning in staat is meer dan 90 % van de nominale waarde die op het plaatje met eigenschappen is vermeld, in stand te houden.
- 6) Controleer of het kaliber van de draad overeenkomt met de specificatie van de elektriciteitsvoorziening.
- 7) Installeer op vochtige of natte plaatsen altijd een differentiaal.
- 8) Het uitvallen van de spanning kan de hierna genoemde gevolgen hebben:  
het trillen van een magnetische stroomonderbreking waardoor het contactpunt kan worden beschadigd, het doorslagen van de zekering, storing van de normale werking van de overbelasting.
- 9) De vaste bedrading moet voorzien zijn van elementen voor elektrische ont koppeling met een luchtafscheiding tussen de contacten van tenminste 3 mm. in elk van de actieve geleiders (fases).

## CHECKEN VAN DE ELEKTRISCHE VEILIGHEID EN VAN GASLEKKAGES

- Checken van de elektrische veiligheid

Check de elektrische veiligheid nadat de installatie is voltooid.

1. Weerstand van de isolatie

De isolatieweerstand moet hoger zijn dan 2 MΩ.

2. Aarding

Nadat de aarding is aangebracht, meet u de weerstand ervan zowel visueel als met behulp van een ohmeter. Zorg ervoor dat de weerstand van de aarding lager is dan 4 Ω.

3. Elektriciteitslekken (worden tijdens het proefdraaien gecheckt)

Tijdens het proefdraaien, nadat de installatie is beëindigd, kan de monteur een elektrosonde en een multimeter gebruiken om te controleren of er elektriciteitslekken zijn. Schakel de unit onmiddellijk uit indien u een lek heeft ontdekt. Zoek de fout en los hem op zodat de unit weer correct kan functioneren.

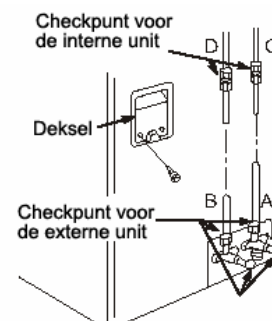
- Gaslek

1. Zeepwatermethode:

Breng zeepwater of een neutrale vloeibare detergent aan op de verbindingen tussen de interne en externe unit met behulp van een zachte kwast om te checken of er lekken zijn op de aansluitingspunten van de leidingen. Indien er luchtbelletjes worden gevormd is er een lek.

2. Lekdetector

Gebruik een lekdetector om de checken of er gasverlies is.



Figuur 25

### BELANGRIJK

A: Verpakte lage klep

B: verpakte hoge klep

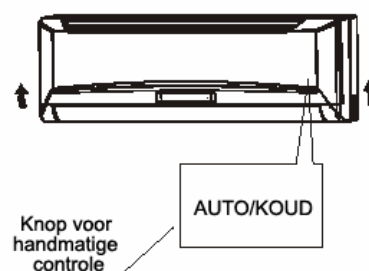
C en D zijn uiteinden van de aansluiting van de interne unit.

## PROEFDRAAIEN

Voer deze test uit nadat u heeft gecheckt of er gaslekken zijn en de elektrische veiligheid kan worden gegarandeerd.

Het proefdraaien moet tenminste 30 minuten duren.

1. Open het paneel en til het op tot het open blijft staan. Duw het niet verder omhoog wanneer u ziet dat het klikt.
2. Druk tweemaal op de knop van de handbediening tot het controlelampje van inbedrijfstelling oplicht; de unit zal dan werken in de modus gedwongen koeling.
3. Check of alle functies correct werken tijdens de test. Controleer vooral of het water vrij kan stromen door de waterafvoer van de interne unit.
4. Druk nogmaals op de handmatige schakelaar om de test te beëindigen. Het lampje van inbedrijfstelling dooft en de unit wordt uitgeschakeld.







# ÍNDICE

PRECAUÇÕES DE SEGURANÇA .....	2
INSTALAÇÃO DAS UNIDADES INTERIOR E EXTERIOR .....	3
INSTRUÇÕES DE INSTALAÇÃO.....	5
TRABALHO DE ELECTRICIDADE .....	9
PURGA DO AR.....	11
TESTE DE FUNCIONAMENTO.....	13

## ADVERTÊNCIA

**Não instale, não remova  
nem reinstale a unidade você mesmo.**

- A instalação inadequada causará fuga de água, choque eléctrico ou incêndio. Por favor, consulte um concessionário autorizado ou um especialista para o trabalho de instalação. Por favor, note que a falha causada por instalação inadequada não está abrangida pela garantia.
- A unidade tem de ser instalada numa área de fácil acesso. Quaisquer custos adicionais necessários para alugar um equipamento especial para assistência da unidade serão da responsabilidade do cliente.

## PRECAUÇÕES DE SEGURANÇA

**Por razões de segurança, dever-se-á observar sempre o seguinte:**

- Certifique-se de que lê a ADVERTÊNCIA seguinte antes de instalar o ar condicionado.
- Certifique-se de que respeita as precauções especificadas aqui, uma vez que incluem pontos importantes relacionados com a segurança.
- Após ler estas instruções, certifique-se de que as guarda junto do manual do proprietário num local acessível para consulta futura.

### △ ADVERTÊNCIA

#### **Não faça você mesmo a instalação.**

- A instalação incorrecta poderá causar ferimentos devido a incêndio, choque eléctrico, queda da unidade ou fuga de água. Consulte o concessionário onde adquiriu a unidade ou um instalador especial.

#### **Instale a unidade em segurança num local que possa suportar o peso da unidade.**

- Quando instalada num local não suficientemente resistente, a unidade poderá cair, causando ferimentos.

#### **Utilize os fios especificados para ligar em segurança as unidades interior e exterior e ligue os fios firmemente às secções de ligação do quadro de terminais para que a resistência dos fios não seja aplicada às secções**

- A ligação e a fixação incorrectas podem causar um incêndio.

#### **Certifique-se de que utiliza a(s) peça(s) fornecida(s) para efectuar o trabalho de instalação.**

- A utilização de peças defeituosas poderá causar ferimentos devido a incêndio, choque eléctrico, queda da unidade, etc.

#### **Efectue a instalação em segurança consultando as instruções de instalação.**

- A instalação incorrecta poderá causar ferimentos devido a incêndio, choque eléctrico, queda da unidade ou fuga de água.

#### **Efectue o trabalho de electricidade de acordo com o manual de instalação e certifique-se de que utiliza um circuito exclusivo.**

- Se a capacidade do circuito da alimentação for insuficiente ou o trabalho de electricidade estiver incompleto, poderá causar um incêndio ou um choque eléctrico.

#### **Certifique-se de que não existe fuga do gás refrigerante após a instalação estar completada.**

#### **Fixe firmemente a tampa da secção eléctrica à unidade interior e o painel de serviço à unidade exterior.**

- Se as tampas da secção eléctrica da unidade interior e/ou o painel de serviço da unidade exterior não forem fixadas firmemente, poderá ocorrer incêndio ou choque eléctrico devido a poeira, água, etc.

### △ PRECAUÇÕES

#### **Não instale a unidade num local de fugas de gases inflamáveis.**

- Se houver fuga de gás e este se acumular na área próxima da unidade, poderá causar uma explosão.

#### **Efectue o trabalho de drenagem/tubagem de acordo com as instruções de instalação.**

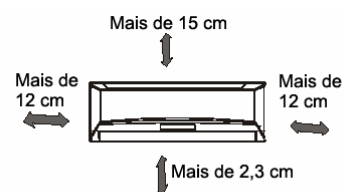
- Se houver um defeito no trabalho de drenagem/tubagem, pode sair água da unidade e os electrodomésticos poderão ficar molhados e danificados.

## INSTALAÇÃO DAS UNIDADES INTERIOR E EXTERIOR

*Leia todas as etapas seguintes.*

### **Unidade interior**

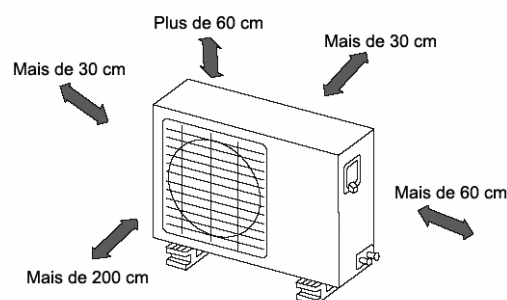
- Não exponha a unidade a calor ou a vapor.
- Seleccione um local onde não existam obstáculos em frente ou em volta da unidade.
- Certifique-se de que a drenagem de condensação pode ser afastada convenientemente.
- Não instale perto de uma porta.
- Certifique-se de que o espaço do lado esquerdo e do lado direito da unidade é superior a 12cm.
- Utilize um detector de metais para localizar pernos e evitar danificar a parede desnecessariamente.
- O tubo deve ter no mínimo 3 metros para minimizar a vibração e o ruído excessivo.
- A unidade interior tem de ser instalada na parede a uma altura de 2,3 metros ou mais a partir do chão.
- A unidade interior tem de ser instalada de modo a permitir uma folga mínima de 15cm do tecto.
- Quaisquer variações no comprimento do tubo poderão exigir a regulação da carga do refrigerante.



**Fig. 1**

### **Unidade exterior**

- Se colocar um toldo sobre a unidade exterior para evitar a exposição à luz solar directa ou à chuva, certifique-se de que a radiação de calor do condensador não fica restringida.
- Certifique-se de que o espaço em volta da parte de trás da unidade é superior a 30cm e de que no lado esquerdo é de mais de 30cm. A frente da unidade tem de ter mais de 200cm de espaço e o lado da ligação (lado direito) tem de ter mais de 60cm de espaço.
- Não coloque animais nem plantas no caminho da entrada ou da saída de ar.
- Tenha em conta o peso do ar condicionado e seleccione um local onde o ruído e vibração não coloquem problemas.
- Seleccione um local onde o ar quente e o ruído do ar condicionado não perturbem os vizinhos.



**Fig. 2**

### **Instalação no telhado:**

- Se a unidade exterior for instalada numa estrutura do telhado, certifique-se de que fica nivelada. Certifique-se de que a estrutura do telhado e o método de fixação são adequados à localização da unidade.
- Consulte os códigos locais relativamente a montagens no telhado.
- Se a unidade exterior for montada em estruturas de telhado ou paredes externas, isto poderá causar ruído e vibração excessivos, pelo que a instalação poderá ser considerada impraticável.

**Conteúdo da embalagem**

Número	Nome dos Acessórios	Qtd.		
1	Placa de Instalação	1		
2	Grampo de Fixação	8		
3	Parafuso autorroscante A ST3.9X25	8		
4	Vedante	1		
5	Junta de Drenagem	1		
6	Conjunto do tubo de ligação	Lado do líquido	Φ 9,53	Peças que é necessário adquirir
		Lado do gás	Φ 16	
7	Comando à distância	1		
8	Parafuso autorroscante B ST3.9X10	2		
9	Suporte do comando à distância	1		

**Nota:** Excepto as peças fornecidas, é necessário adquirir todas as outras peças necessárias durante a instalação.

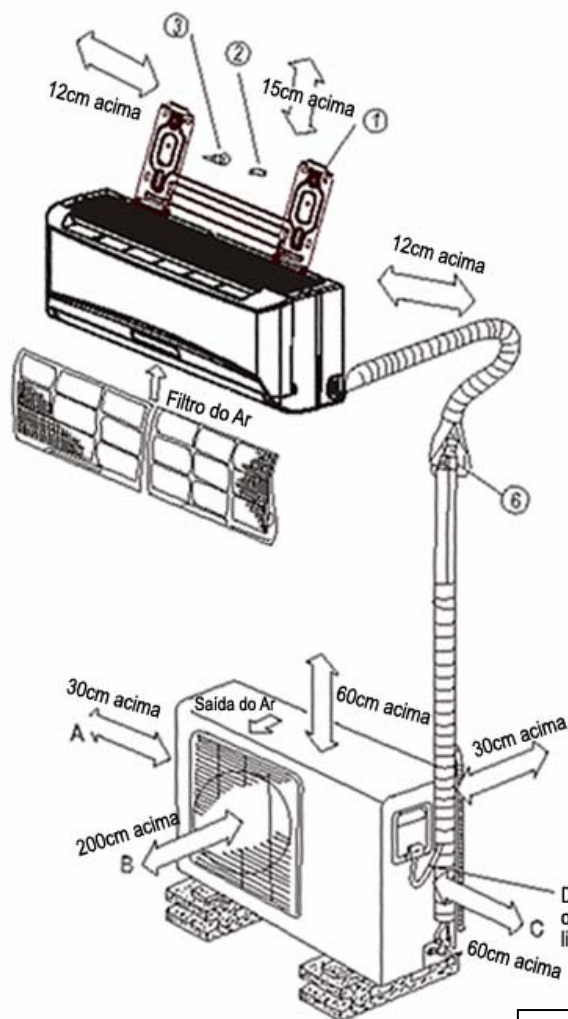
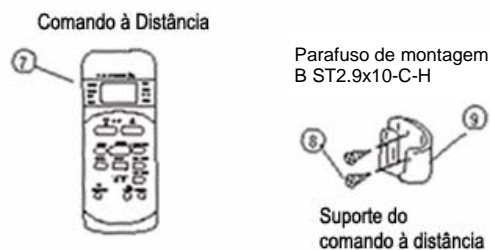


Fig. 3

**CUIDADO**

- Certifique-se de que o espaço em volta do lado esquerdo e do lado direito da unidade interior é superior a 12cm. A unidade interior tem de ser instalada de modo a permitir uma folga mínima de 15cm do tecto.
- Utilize um detector de metais para localizar pernos e evitar danificar a parede desnecessariamente.
- O tubo deve ter no mínimo 3 metros para minimizar a vibração e o ruído excessivo. A unidade interior tem de ser instalada na parede a uma altura de 2,3 metros ou mais a partir do chão.
- Duas das direcções A, B e C têm de estar desobstruídas.



- Esta figura é utilizada apenas para fins explicativos.
- As linhas de cobre têm de ser isoladas independentemente.

## INSTALAÇÃO DA UNIDADE INTERIOR

### 1. Encaixar a Placa de Instalação

1. Encaixe a placa de instalação horizontalmente nas peças estruturais da parede com espaços em volta da placa de instalação.
2. Se a parede for de tijolo, betão ou material idêntico, faça oito (8) orifícios com 5mm de diâmetro na parede. Insira o grampo de fixação para parafusos de montagem adequados.
3. Encaixe a placa de instalação na parede com oito (8) parafusos do tipo "A".

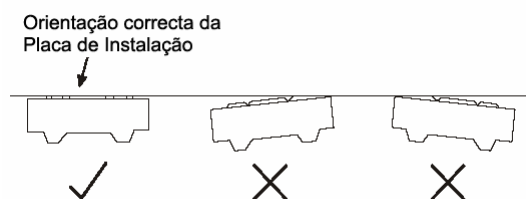


Fig. 4

#### Nota:

Encaixe a Placa de Instalação e faça os orifícios na parede de acordo com a estrutura da parede e os pontos de montagem correspondentes na placa de instalação. (Salvo indicação em contrário, as dimensões são dadas em "mm")

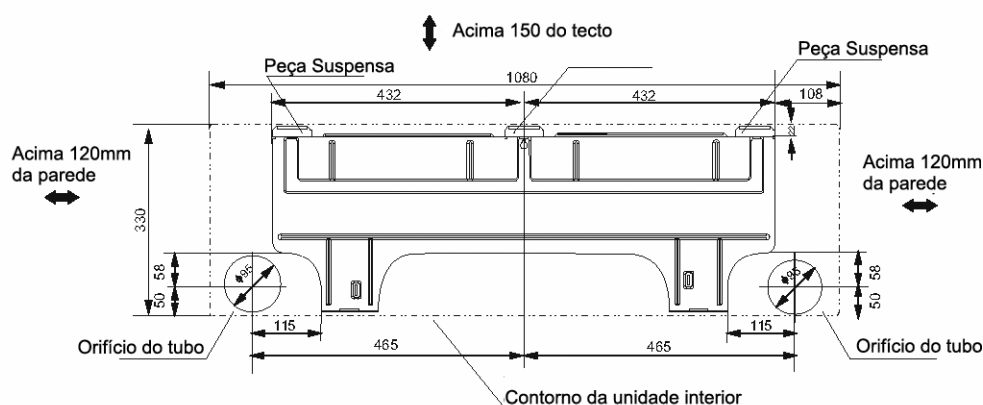


Fig.5

### 2. Fazer um orifício na parede

1. Determine as posições do orifício de acordo com o diagrama pormenorizado na Fig.5. Faça um (1) orifício ( $\Phi$  95mm) ligeiramente inclinado para o exterior.
2. Utilize sempre um isolador de passagem quando perfurar grelhas, placas metálicas ou idênticos.

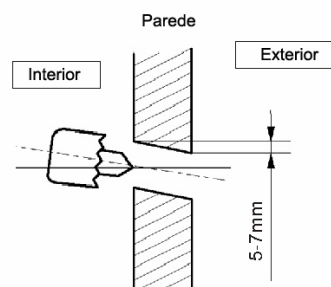


Fig. 6a

### 3. Instalação das Tubagens de Ligação e de Drenagem

#### Drenagem

1. Passe a mangueira de drenagem deixando-a pendurada para baixo. Não instale a mangueira de drenagem conforme ilustrado abaixo.

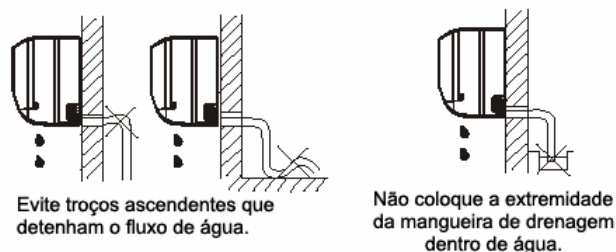


Fig. 6b

2. Se prolongar a mangueira de drenagem, isole a peça de ligação do prolongamento com um tubo blindado e não deixe a mangueira de drenagem solta.

#### Tubo de ligação

1. Para retirar os tubos pelo lado esquerdo e pelo lado direito, retire a tampa do tubo do painel lateral.
  - Explique aos clientes que é necessário guardar a tampa do tubo uma vez que terá de utilizá-la quando mudar o ar condicionado para outro local.
2. Para retirar os tubos pela esquerda e pela direita, instale as tubagens conforme mostrado. Dobre o tubo de ligação para que fique a uma altura de 43mm ou menos da parede.
3. Fixe a extremidade do tubo de ligação. (Consulte a secção APERTO DA LIGAÇÃO DOS TUBOS DO REFRIGERANTE)

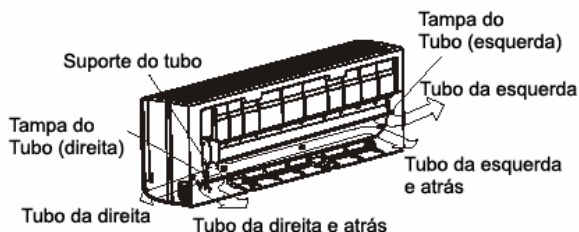


Fig. 7

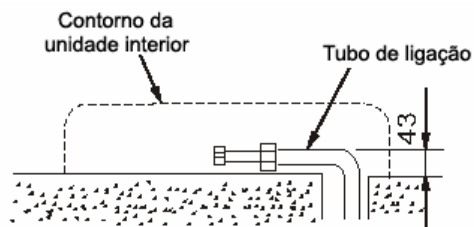


Fig. 8

#### 4. Instalação da unidade interior

1. Passe o tubo através do orifício na parede.
2. Coloque a garra superior da parte de trás da unidade interior no gancho superior da placa de instalação, mova a unidade interior para os lados para se certificar de que está bem pendurada.
3. Poderá ligar comodamente as tubagens levantando a unidade interior com um material almofadado entre a unidade interior e a parede. Retire-o após terminar a ligação das tubagens.
4. Empurre a parte inferior da unidade interior na direcção da parede. Depois desloque a unidade interior para os lados, para cima e para baixo, para se certificar de que está bem pendurada.

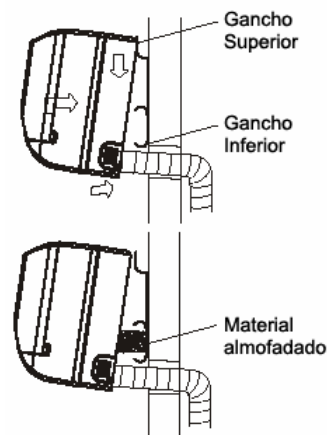


Fig. 9

## 5. Embalagem dos tubos

Una os tubos, o cabo de ligação e a mangueira de drenagem com fita bem apertada e estendida uniformemente, conforme mostrado na Fig.10.

- A água condensada da parte traseira da unidade interior é recolhida num recipiente e esvaziada para fora da divisão. Não coloque nada no recipiente.

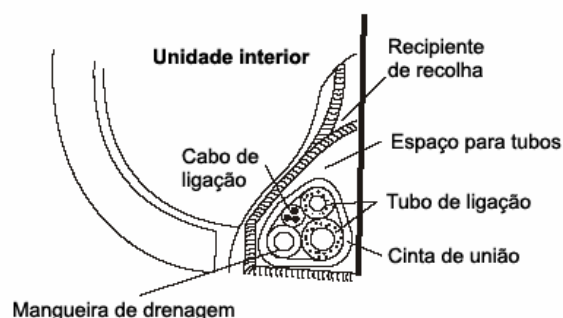


Fig. 10

## CUIDADO

- Ligue primeiro a unidade interior e depois a unidade exterior.
- Não tire os tubos directamente por detrás da unidade interior.
- Tenha cuidado para não deixar a mangueira de drenagem solta.
- Isole termicamente as tubagens auxiliares.
- Certifique-se de que a mangueira de drenagem fica situada no lado mais baixo do conjunto. Se a colocar no lado superior, a bandeja de drenagem poderá transbordar para o interior da unidade interior.
- Nunca cruze o fio de alimentação nem o entrelace com outros fios.
- Passe a mangueira de drenagem para baixo, de forma que a água condensada flua sem obstáculos.

## INSTALAÇÃO DA UNIDADE EXTERIOR

### Precauções de instalação da unidade exterior

- Instale a unidade exterior numa base rígida para evitar aumentar o nível de ruído e a vibração.
- Determine a direcção de saída do ar de forma que não fique obstruída.
- No caso de o local de instalação estar exposto a vento forte, como ocorre perto do mar, certifique-se de que a ventoinha funciona correctamente colocando a unidade paralela à parede ou instalando um corta-vento.
- **Particularmente numa zona ventosa, instale a unidade de forma a evitar o vento.**
- Se for necessário fazer uma instalação suspensa, o suporte de instalação deverá estar em conformidade com as exigências técnicas indicadas no diagrama do suporte de instalação. A parede da instalação tem de ser em tijolo sólido, betão ou ter a mesma solidez da construção, ou então será necessário tomar medidas para reforçar a estrutura e amortizar o suporte. A ligação entre o suporte e a parede, o suporte e o ar condicionado deverá ser firme, estável e segura.
- **Certifique-se de que não existem obstáculos a obstruir a emissão de ar.**

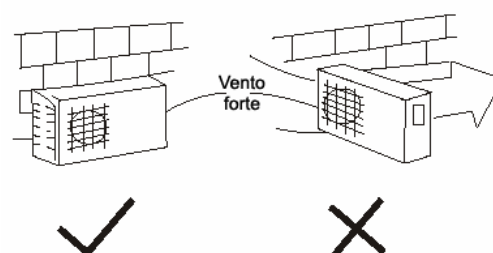


Fig. 11



### Colocação da unidade exterior

- Fixe a unidade exterior com um parafuso e uma porca de  $\Phi 10$  ou  $\Phi 8$  firme e horizontalmente numa base de betão ou rígida.

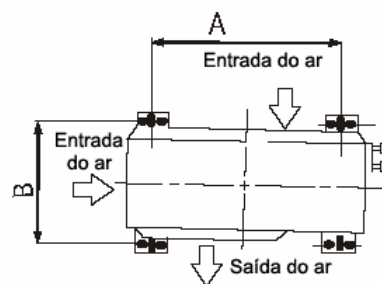


Fig. 12

### Montagem da junta de drenagem

Encaixe o vedante no cotovelo de drenagem e depois insira a junta de drenagem no orifício da bandeja de base da unidade exterior, rode 90° para os fixar firmemente. Ligue a junta de drenagem com uma extensão da mangueira de drenagem (deve ser adquirida à sua conta), no caso de a unidade exterior verter água no modo de aquecimento.

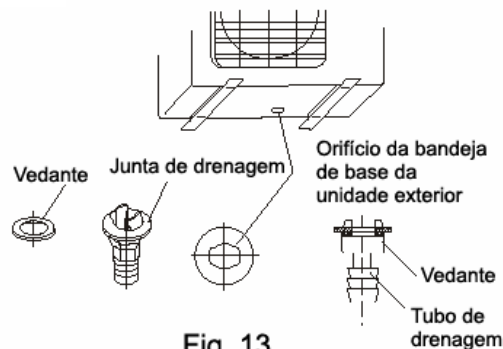


Fig. 13

## LIGAÇÃO DO TUBO DO REFRIGERANTE

### 1. Tubos chanfrados

A principal causa da fuga de refrigerante deve-se a defeito do trabalho de chanfragem. Efectue o trabalho de chanfragem correcto utilizando o procedimento seguinte:

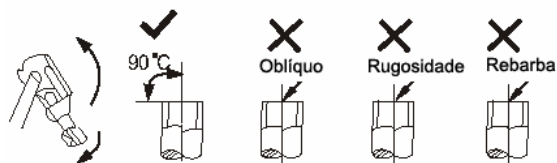


Fig.14

### A: Corte os tubos e o cabo.

1. Utilize o acessório do kit de tubos ou os tubos que adquiriu por sua conta.
2. Meça a distância entre as unidades interior e exterior.
3. Corte os tubos um pouco acima do comprimento da distância medida.
4. Corte o cabo 1,5m a mais do comprimento do tubo.

### B: Remoção de rebarbas

1. Remova totalmente todas as rebarbas da secção transversal de corte do tubo.
2. Mantenha a extremidade do tubo de cobre virada para baixo enquanto remove as rebarbas para evitar que caiam no tubo.

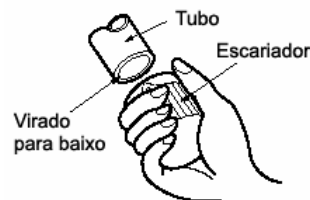


Fig. 15

### C: Colocação das porcas

Retire as porcas de união da unidade interior e da exterior e depois coloque-as no tubo após ter removido as rebarbas (não é possível colocá-las depois da chanfragem)

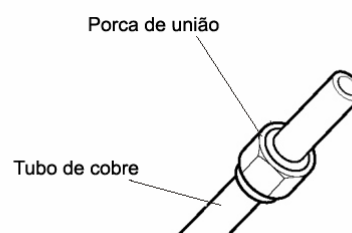


Fig. 16

### D: Trabalho de chanfragem

Segure firmemente o tubo de cobre numa tarraxa com as dimensões mostradas na tabela abaixo.

Diâmetro externo (mm)	A (mm)	
	Máx.	Mín.
Φ 9,53	1,6	1,0
Φ 16	2,4	2,2

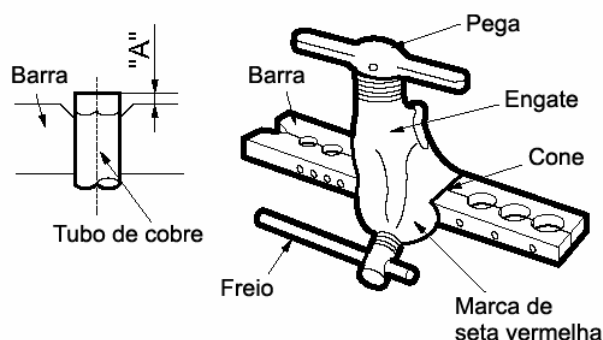


Fig. 17

### Aperto da ligação

- Alinhe o centro dos tubos.
- Aperte suficientemente a porca de união com a mão e depois com uma chave fixa ou dinamométrica.

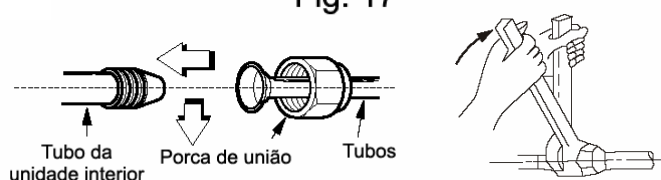


Fig. 18

Fig. 19

### CUIDADO

- O aperto excessivo pode partir a porca, dependendo das condições da instalação.

Diâmetro externo	Binário de aperto (N.cm)	Binário de aperto adicional (N.cm)
Φ 9.53	2940 (300 kgf.cm)	3430 (350 kgf.cm)
Φ 16	7360 (750 kgf.cm)	7850 (800 kgf.cm)

## TRABALHO DE ELECTRICIDADE

Regulamentos de segurança eléctrica para a instalação inicial

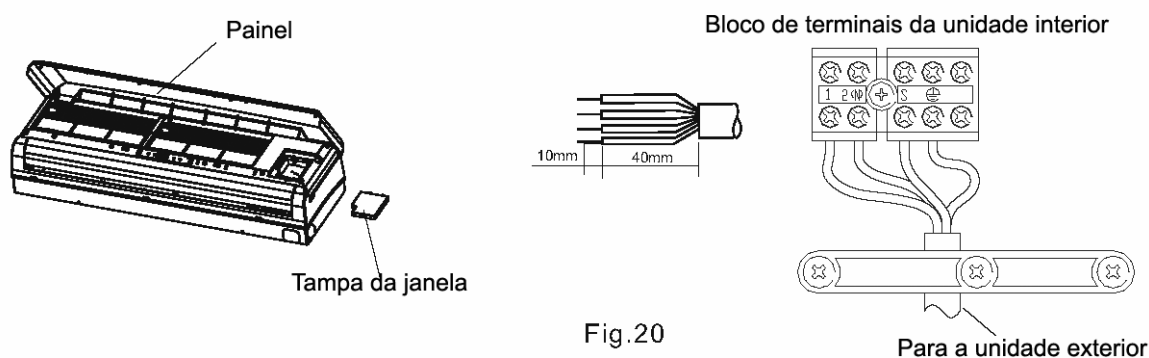
1. Se a alimentação eléctrica apresentar problemas de segurança graves, os técnicos deverão recusar-se a fazer a instalação do ar condicionado e explicá-los ao cliente para que o problema seja resolvido.
2. A tensão de alimentação deverá estar compreendida entre 90%~110% da tensão nominal.
3. O circuito eléctrico deve contar com um protector diferencial e um interruptor de alimentação com uma capacidade 1,5 vezes ao absorvido pela unidade.
4. Certifique-se de que o ar condicionado está bem ligado à terra.
5. Para ligar os cabos, siga o Diagrama de Ligação Eléctrica situado no painel da unidade exterior.
6. Todas as ligações têm de estar em conformidade com os códigos eléctricos locais e nacionais e ser instaladas por electricistas qualificados e capacitados.
7. Este ar condicionado deve ser ligado a um circuito individual com uma única tomada. Consulte a tabela seguinte relativamente a tamanhos de fios sugeridos e a especificações de fusíveis:

Alimentação eléctrica	Amperagem Nominal de Entrada (Interruptor/Fusível)	Tamanho do Fio de Alimentação
220-240V~ 50Hz	32/25A	≥ 2,5mm <sup>2</sup>

**NOTA: A tensão de alimentação tem de ser consistente com a tensão nominal do ar condicionado.**

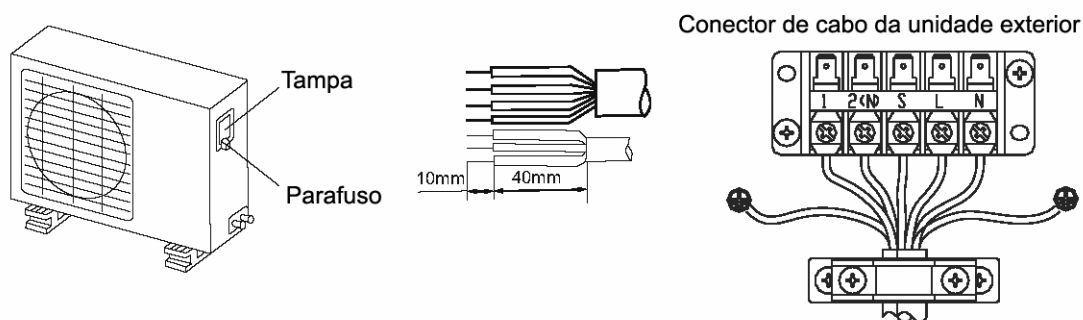
### Ligar o cabo à unidade interior

1. O cabo de ligação Interior/Exterior deverá ser do tipo H07RN-F.
2. Levante o painel da unidade interior e retire o parafuso; depois retire a tampa da janela.
3. Ligue os cabos aos terminais de acordo com as respectivas marcas.
4. Cubra os cabos que não forem ligados com fita isoladora para que não toquem em quaisquer componentes eléctricos.



### Ligar o cabo à unidade exterior

1. Retire a tampa dos componentes eléctricos da unidade exterior.
2. Ligue os cabos de ligação aos terminais conforme os números de identificação no bloco de terminais das unidades interior e exterior.
3. Para prevenir a entrada de água, forme um laço descendente com o cabo de ligação, conforme ilustrado no diagrama de instalação das unidades interior e exterior.
4. Isole os tubos não utilizados (condutores) com fita PVC. Disponha-os de forma que não toquem em nenhum dos componentes eléctricos ou peças metálicas.



## PURGA DO AR

O ar e a humidade no sistema refrigerante têm efeitos indesejáveis, conforme indicado abaixo:

- A pressão no sistema sobe.
- O consumo eléctrico aumenta.
- A eficiência da refrigeração ou do aquecimento diminui.
- A humidade no circuito refrigerante pode congelar e obstruir os tubos capilares.
- A água pode originar a corrosão de peças no sistema de refrigeração.

Portanto, a unidade interior e os tubos entre a unidade interior e a exterior têm de ser testados relativamente a fugas e esvaziados para eliminar as substâncias não condensáveis e a humidade do sistema.

### Purga do ar com bomba de vácuo

- Preparativos

Certifique-se de que cada tubo (tubos do lado do líquido e do gás) entre as unidades interior e exterior foi bem ligado e de que todas as ligações eléctricas para o teste foram completadas. Remova as tampas da válvula de serviço do lado do gás e do líquido na unidade exterior. Tenha em atenção que ambas as válvulas de serviço do lado do gás e do líquido na unidade exterior se mantêm fechadas nesta fase.

- Comprimento do tubo e quantidade de refrigerante:

Comprimento do tubo de ligação	Método de purga do ar	Quantidade adicional de refrigerante a carregar
Menos de 5m	Utilize uma bomba de vácuo.	_____
5~10m	Utilize uma bomba de vácuo.	Lado do líquido: $\Phi$ 6,35 (Comprimento do tubo-5)x30g

- Quando mudar a unidade para outro local, esvazie-a com uma bomba de vácuo.
- Certifique-se de que o refrigerante adicionado ao ar condicionado está sempre na forma líquida.

### Cuidado no manuseamento da válvula reguladora

- Abra a haste da válvula até que bata contra o batente. Não tente abri-la mais.
- Aperte firmemente o bujão da haste da válvula com uma chave.
- Binário de aperto do bujão da haste da válvula (Consulte a tabela de binário de aperto na página anterior).

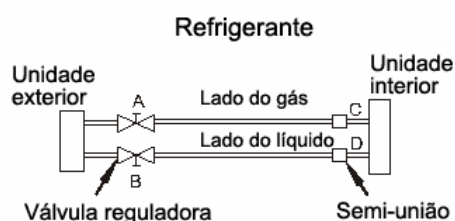


Fig. 22

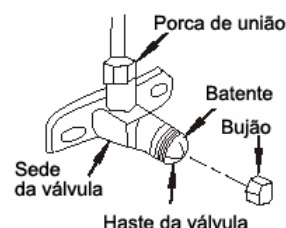


Fig. 23

**Utilização da Bomba de Vácuo**

(Relativamente ao método de utilização de uma válvula de distribuição, consulte o respectivo manual de funcionamento.)

1. Aperte totalmente as porcas de união, A, B, C, D, ligue a mangueira de carga da válvula de distribuição a uma porta de carga da válvula de baixa pressão no lado do tubo do gás.
2. Faça a ligação da mangueira de carga à bomba de vácuo.
3. Abra totalmente a manivela baixa da válvula de distribuição.
4. Accione a bomba de vácuo para esvaziar. Após iniciar o esvaziamento, afrouxe ligeiramente a porca de união da válvula Baixa no lado do tubo do gás e certifique-se de que o ar está a entrar  
(O ruído de funcionamento da bomba de vácuo muda e o manómetro indica 0 em vez de menos)
5. Após a conclusão do esvaziamento, feche totalmente a manivela baixa da bomba de distribuição e pare o funcionamento da bomba de vácuo.  
Faça o esvaziamento durante 15 minutos, ou mais, e certifique-se de que o medidor de vácuo indica -76cmHg (-1x105Pa).
6. Rode a haste da válvula reguladora B cerca de 45° no sentido contrário ao dos ponteiros do relógio durante 6~7 segundos após o gás sair e depois aperte novamente a porca de união. Certifique-se de que a pressão exibida no indicador de pressão é ligeiramente superior à pressão atmosférica.
7. Retire a mangueira de carga da mangueira de carga de pressão Baixa.
8. Abra totalmente as hastes da válvula reguladora B e A.
9. Aperte firmemente o bujão da válvula reguladora.

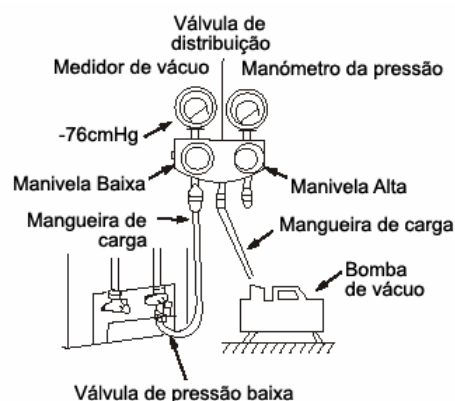


Fig. 24

**CUIDADO**

Após a confirmação das condições acima, prepare a ligação do seguinte modo:

- 1) **Nunca deixe de ligar o ar condicionado a um circuito de alimentação exclusivo. Como método de ligação, oriente-se pelo diagrama do circuito no interior da tampa de controlo.**
- 2) **O parafuso de fixação dos cabos no alojamento das ligações eléctricas pode afrouxar com as vibrações a que a unidade está sujeita durante o transporte. Verifique e certifique-se de que estão todos bem apertados. (Se estiverem frouxos poderão queimar os fios.)**
- 3) **Especificações da fonte de alimentação.**
- 4) **Confirme se a capacidade eléctrica é suficiente.**
- 5) **Veja se a tensão inicial é mantida a mais de 90% da tensão nominal marcada na placa do nome.**
- 6) **Confirme se a espessura do cabo é a especificada nas especificações da fonte de alimentação.**
- 7) **Em zonas molhadas ou húmidas instale sempre um disjuntor do circuito de fuga à terra.**
- 8) **O seguinte poderá ser causado por queda de tensão.**  
A vibração de um interruptor magnético, que danificaria o ponto de contacto, o salto do fusível, a perturbação do funcionamento normal do tratamento de sobrecargas.
- 9) **As cablagens fixas devem dispor de meios de seccionamento eléctrico com uma separação de ar entre contactos de pelo menos 3mm em cada um dos condutores activos (fases).**

## VERIFICAÇÃO DA SEGURANÇA ELÉCTRICA E DE FUGAS DE GÁS

- Verificação da segurança eléctrica

Efectue a verificação da segurança eléctrica após completar a instalação:

1. Resistência de isolamento

A resistência do isolamento tem de ser superior a  $2M\Omega$ .

2. Trabalho de ligação à terra

Após terminar o trabalho de ligação à terra, meça a resistência da terra através de detecção visual e de um aparelho de teste de resistência à terra. Certifique-se de que a resistência à terra é inferior a  $4\Omega$ .

3. Verificação de fuga eléctrica (efectuado durante o teste de funcionamento)

Durante o teste, após terminar a instalação, o técnico pode utilizar uma sonda eléctrica e um multímetro para efectuar a verificação de fuga eléctrica. Se ocorrer uma fuga, desligue imediatamente a unidade. Localize e resolva a falha até a unidade funcionar correctamente.

- Verificação de fuga de gás

1. Método de água com sabão:

Aplique água com sabão ou um detergente líquido neutro nas ligações da unidade interior ou da unidade exterior com uma escova macia para verificar se existem fugas nos pontos de ligação dos tubos. Se saírem bolhas, os tubos têm uma fuga.

2. Detector de fugas

Utilize o detector de fugas para verificar se existem fugas.

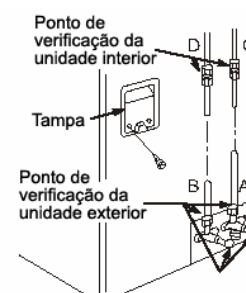


Fig. 25

### CUIDADO

A: Válvula reguladora Baixa

B: Válvula reguladora Alta

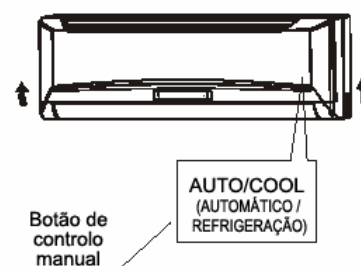
C e D são as extremidades da ligação da unidade interior.

## TESTE DE FUNCIONAMENTO

Efectue o teste de funcionamento após completar a verificação de fugas de gás e a verificação de segurança eléctrica.

O tempo do teste deverá ser de mais de 30 minutos.

1. Abra o painel e levante-o até um ângulo em que fique fixo. Não levante mais o painel quando vir que pára com um estalido.
2. Pressione o botão de controlo manual duas vezes até o indicador de funcionamento se acender; a unidade funcionará no modo Forced Cool (Refrigeração Forçada).
3. Verifique o bom funcionamento de todas as funções durante o teste. Particularmente, verifique se a drenagem da unidade exterior é suave ou não.
4. Pressione o botão do interruptor manual novamente após terminar o teste. O indicador de funcionamento fica preto e a unidade pára de funcionar.





**BELGIUM :**  
**LUXEMBOURG :**

**LENNOX BENELUX N.V./S.A.**  
tél. : + 32 3 633 30 45  
fax : + 32 3 633 00 89  
e-mail : info.be@lennoxbenelux.com

**CZECH REPUBLIC :**

**JANKA LENNOX a.s.**  
tél. : + 420 2 510 88 111  
fax : + 420 2 579 10 393  
e-mail : janka@janka.cz

**FRANCE :**

**LENNOX FRANCE**  
tél. : + 33 1 64 76 23 23  
fax : + 33 1 64 76 35 75  
e-mail : marketing.france@lennoxfrance.com

**GERMANY:**

**LENNOX DEUTSCHLAND GmbH**  
tél. : + 49 69 42 09 79 0  
fax : + 49 69 42 09 79 40  
e-mail : info.de@lennoxdeutschland.com

**NETHERLANDS :**

**LENNOX BENELUX B.V.**  
tél. : + 31 33 2471 800  
fax : + 31 33 2459 220  
e-mail : info@lennoxbenelux.com

**POLAND :**

**LENNOX POLSKA Sp. z o.o.**  
tél. : + 48 22 832 26 61  
fax : + 48 22 832 26 62  
e-mail : info@lennoxpolka.pl

**PORTUGAL :**

**LENNOX PORTUGAL LDA.**  
tél. : + 351 22 998 33 70  
fax : + 351 22 998 33 79  
e-mail : info@lennoxportugal.com

**RUSSIA :**

**LENNOX DISTRIBUTION MOSCOW**  
tél. : + 7 095 933 29 55  
fax : + 7 095 926 56 50  
e-mail : lennox.dist.moscow@co.ru

**SLOVAKIA :**

**LENNOX SLOVENSKO s.r.o.**  
tél. : + 421 7 44 87 19 27  
fax : + 421 7 44 88 64 72  
email : lennox.slovensko@lennox.sk

**SPAIN:**

**LENNOX REFAC S.A.**  
tél. : + 34 915 40 18 10  
fax : + 34 915 42 84 04  
e-mail : marketing@lennox-refac.com

**UKRAINE :**

**LENNOX DISTRIBUTION KIEV**  
tél. : + 380 44 461 87 75  
fax : + 380 44 461 87 75  
e-mail : lennoxua@i.kiev.ua

**UNITED KINGDOM,  
IRELAND:**

**LENNOX INDUSTRIES Ltd**  
tél. : + 44 1604 669100  
fax : + 44 1604 669150  
e-mail : ukmarketing@lennoxind.com

**OTHER EUROPEAN COUNTRIES,  
AFRICA,  
MIDDLE-EAST :**

**LENNOX DISTRIBUTION**  
tél. : + 33 4 72 23 20 14  
fax : + 33 4 72 23 20 28  
e-mail : marketing@lennoxdist.com



**LENNOX®**

[www.lennox europe.com](http://www.lennox europe.com)