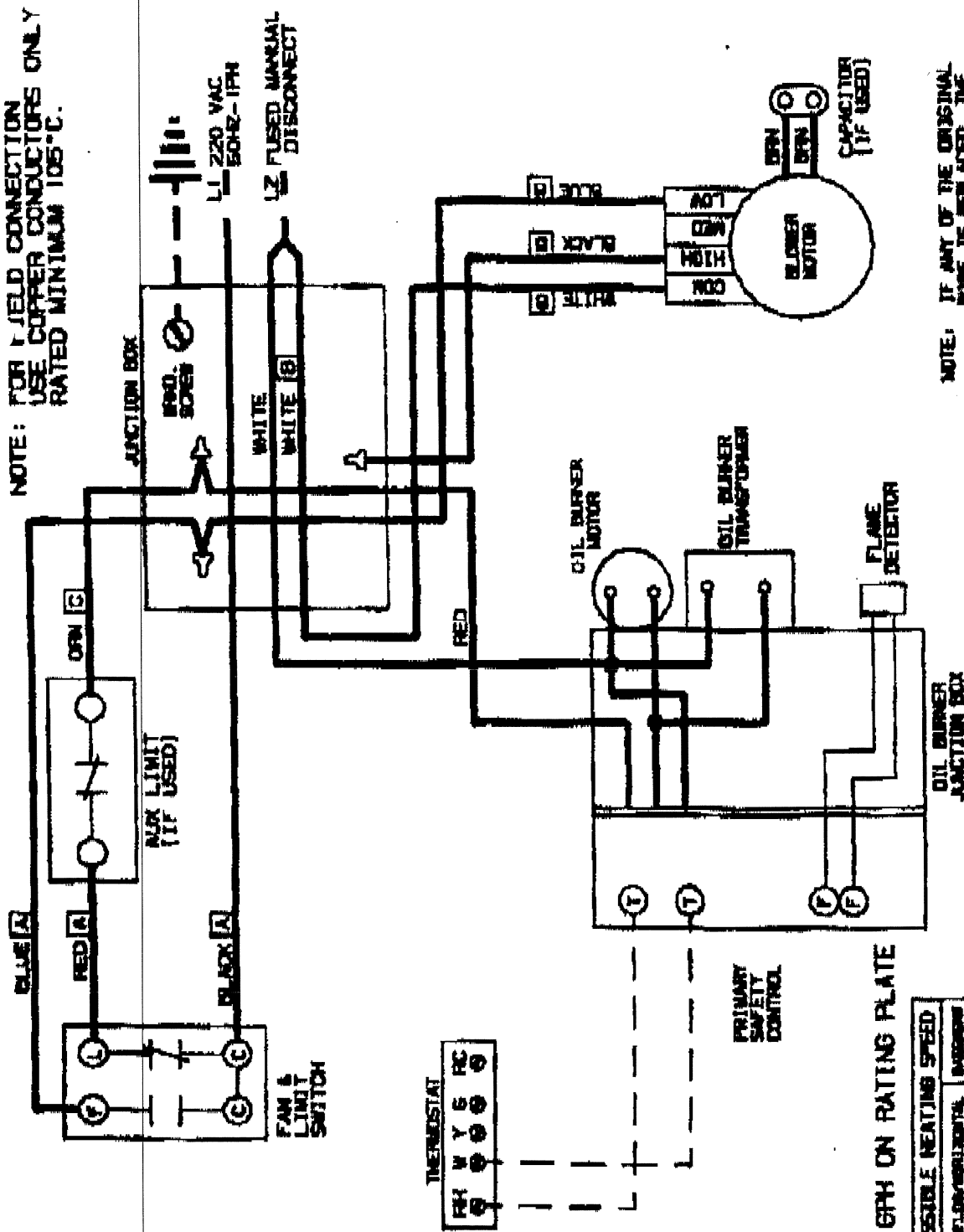


023(A)

NOTE: FOR WELD CONNECTION USE COPPER CONDUCTORS ONLY RATED MINIMUM 105°C.



NOTE: IF ANY OF THE ORIGINAL WIRE IS REPLACED, THE SAME TYPE AND SIZE WIRE MUST BE USED.

LINE VOLTAGE - FACTORY
 LINE VOLTAGE - INSTALLER
 LOW VOLTAGE - FACTORY
 LOW VOLTAGE - INSTALLER

SEE NOZZLE SIZE GPH ON RATING PLATE

GPH	LOWEST PERMISSIBLE HEATING SPEED	
	LOW	HIGH
1.50	LOW	HIGH
1.00	LOW	HIGH
0.75	LOW	HIGH
0.50	LOW	HIGH
0.25	LOW	HIGH

PART NO. 4AP8A-031