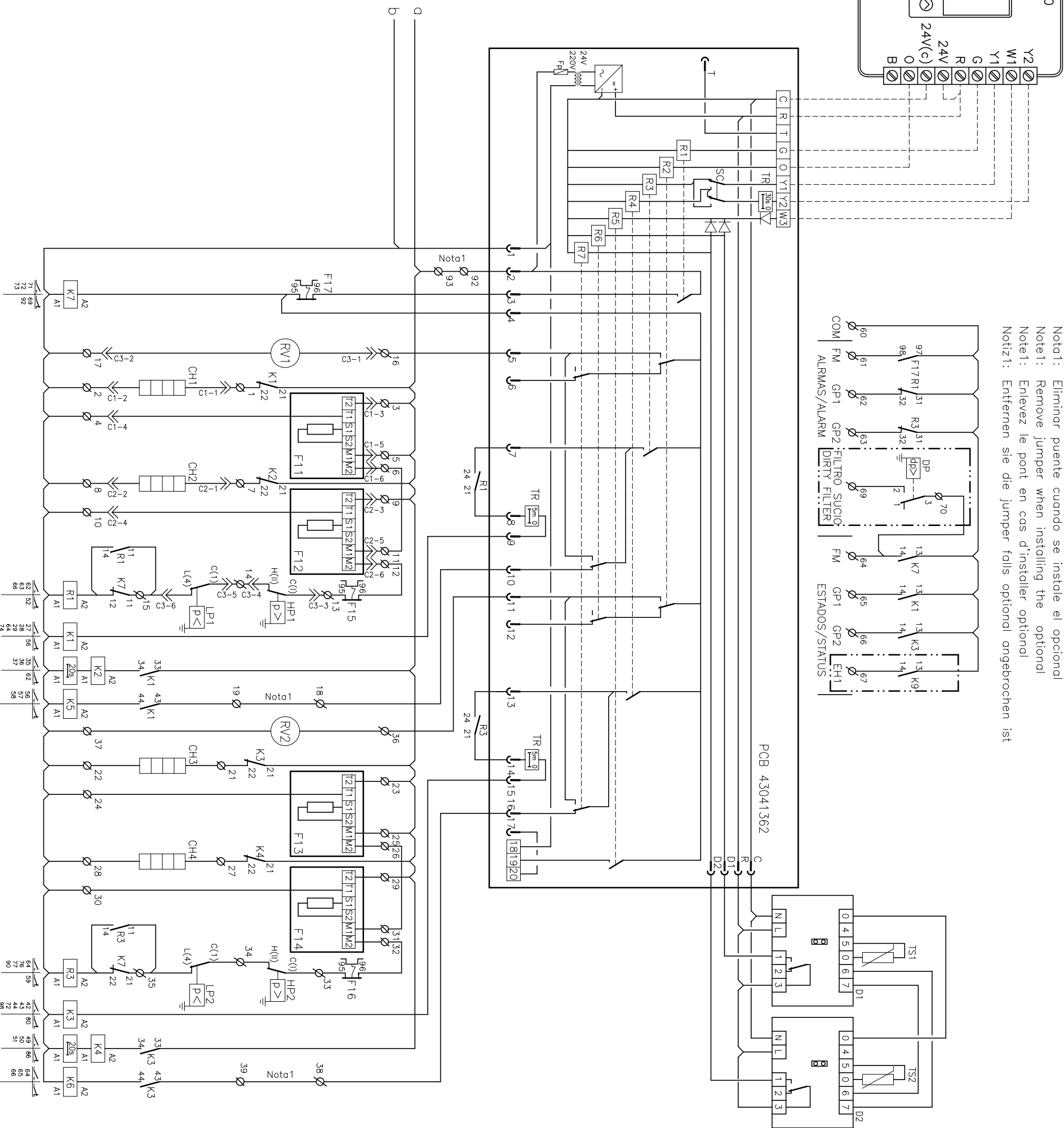
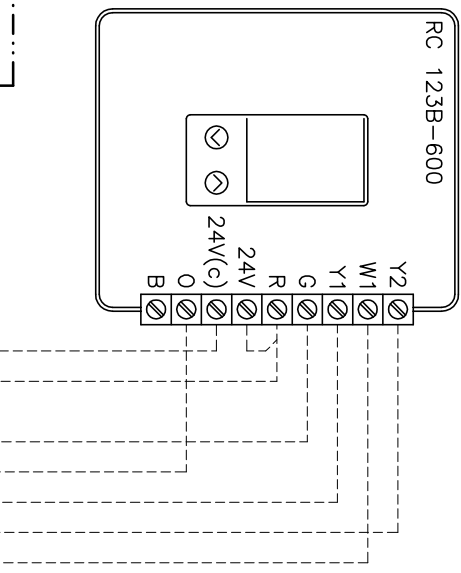
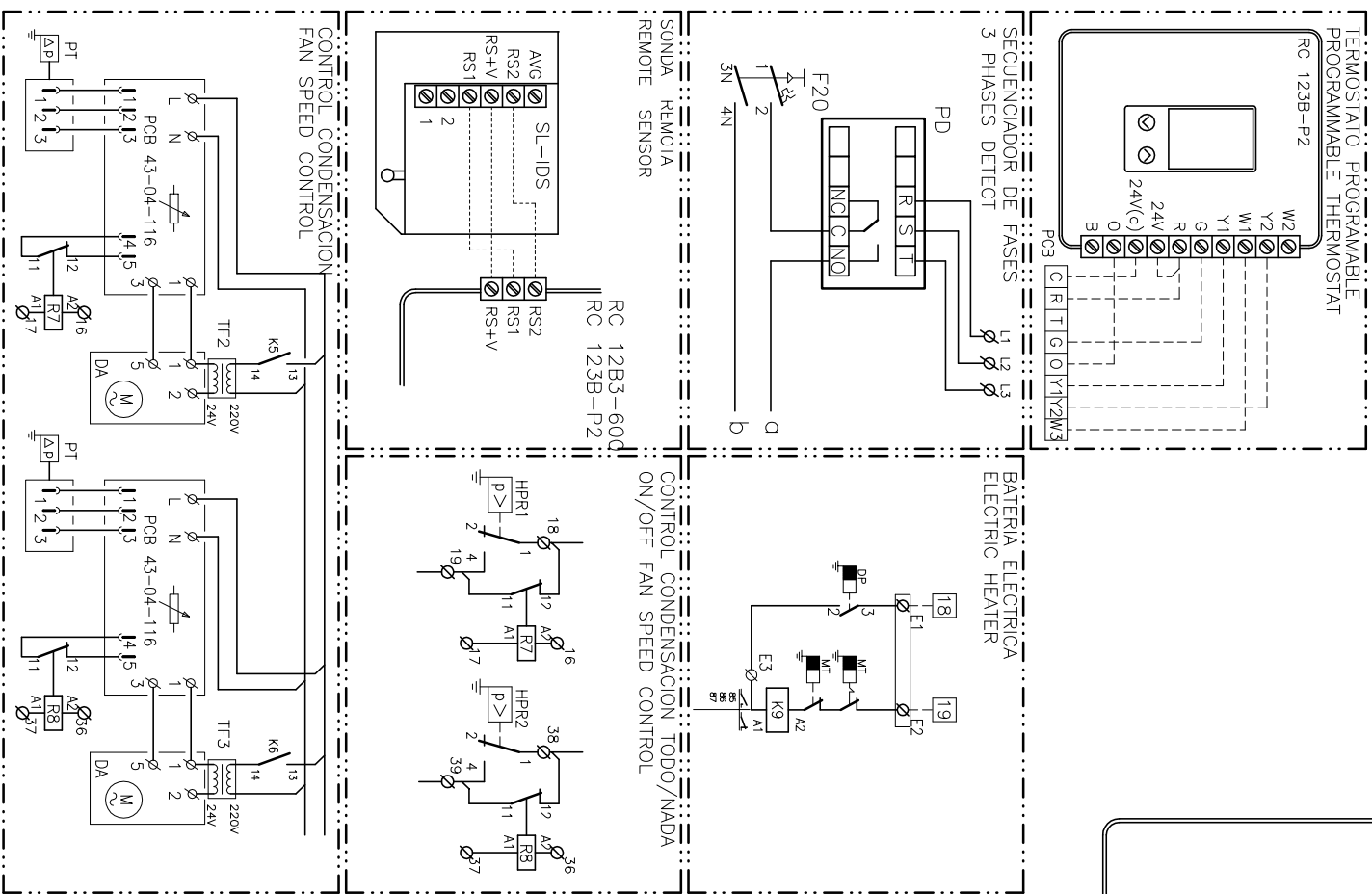


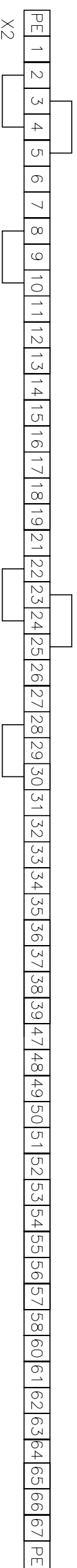
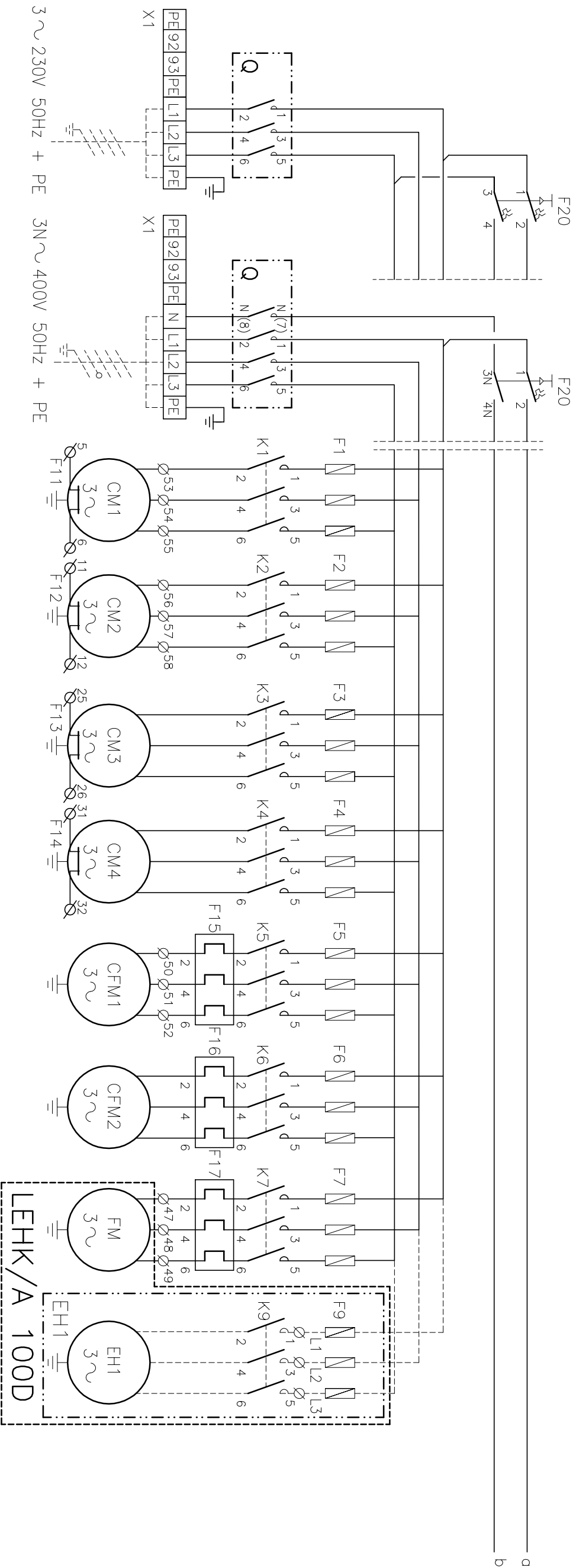
ELEMENTOS OPCIONALES / OPTIONAL ELEMENTS



VERSION VFC / VFC VERSION

1/2	Lennox Refrac S.A.	ESQUEMA ELECTRICO / ELECTRIC DIAGRAM	LVHK (LEHK+KVHK) 100D	32-33-453-854	28E
			LVHA (LEHA+KVHA) 100D	3N 400V 50HZ + PE	
				3 ~ 220V 50HZ + PE	

0 5 10 15 20 25 30 35 40 45 50 55 60 65 70 75 80 85 90 95



Elemento Opcional
Optional Element
A Realizor por el Instalador
To Wire by the Installer

Fusibles	F1-F2-F3-F4	F5-F6-F7
Fuses size	LHK/A 1000	
	4x 3 x 40A	3x 3 x 25A
	4x 3 x 25A	3x 3 x 16A

VERSION VFC / VFC VERSION

2/2

Lennox Refrac S.A.

ESQUEMA ELECTRICO
ELECTRIC DIAGRAM

LVHK (LEHK+KVHK) 100D

LVHA (LEHA+KVHA) 100D

3Z-33-453-854 28E
3N 400V 50HZ + PE
3 ~ 220V 50HZ + PE