

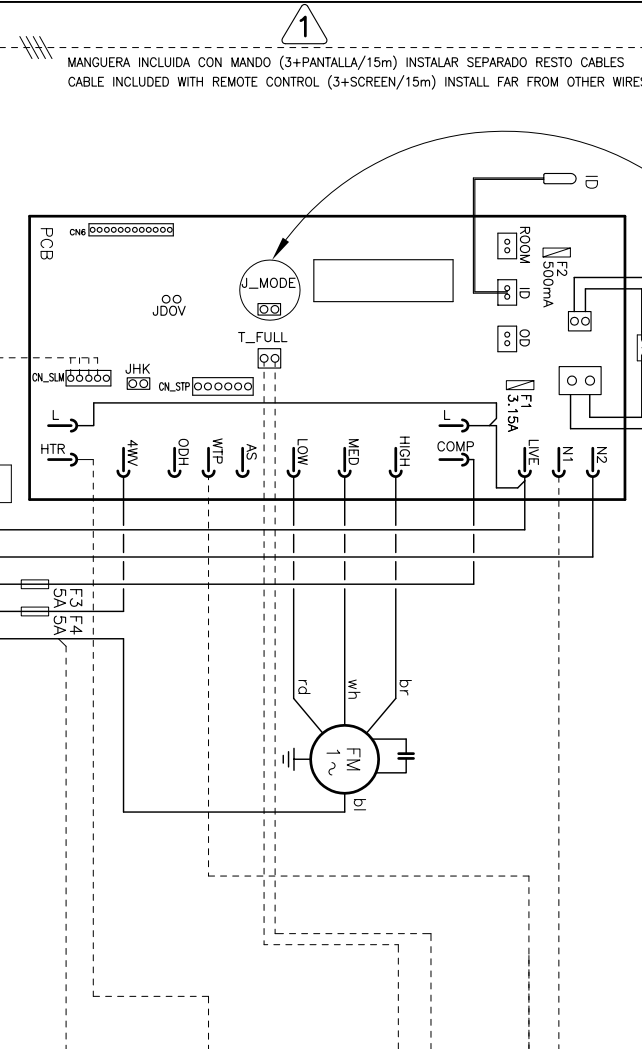
DUCTAIR VENTILADOR CENTRIFUGO – BOMBA CALOR

OPCIONALES/OPTIONAL

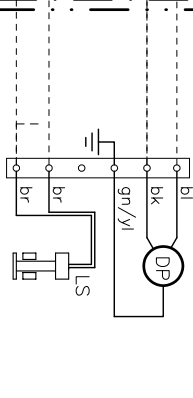
ANTES DE EFECTUAR LAS CONEXIONES ELECTRICAS, CONFIGURAR EL PUENTE J.MODE:
 CERRADO BOMBA DE CALOR
 OPEN COOLING ONLY (FACTORY SETTING)

PRIOR TO MAKING THE ELECTRIC CONNECTIONS, SET THE JUMPER J.MODE:
 CLOSED HEAT PUMP
 OPEN COOLING ONLY (FACTORY SETTING)

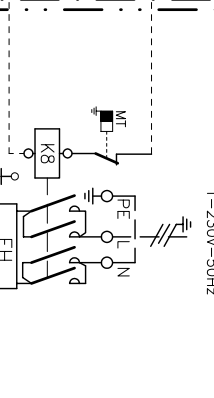
LNXO 036



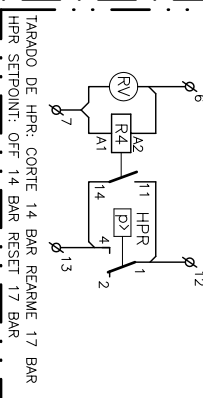
(DP) BOMBA CONDENSADOS/ DRAIN PUMP



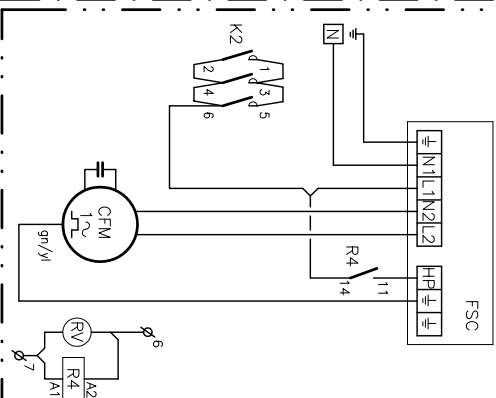
(EH) BATERIA ELECTRICA (EH) ELECTRICAL HEATER
 1-230V-50HZ



(HPR) CONTROL CONDENSACION TODO/NADA (HPR) WINTER CONTROL ON/OFF

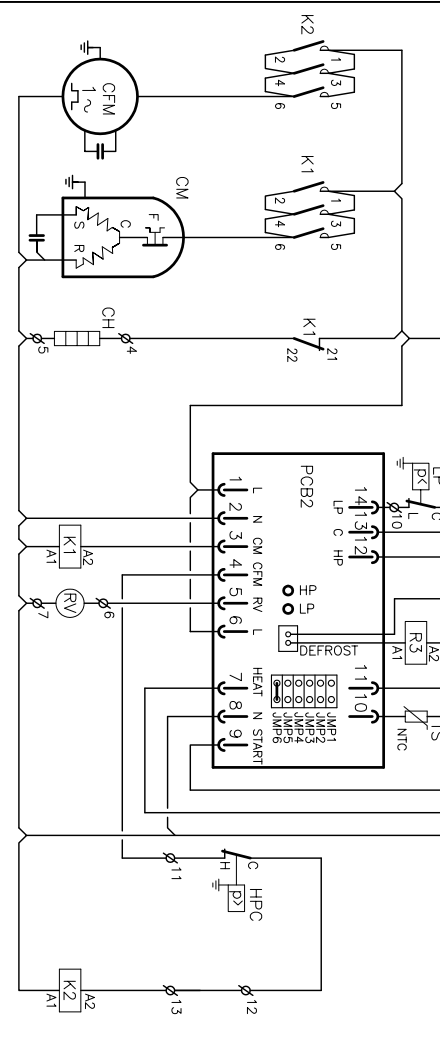


(FSC) CONTROL CONDENSACION PROPORCIONAL (FSC) FAN SPEED CONTROL



KCHK 036

CM	CFM
Int(MCC)	230V/230V
Id(LRA)	18.6A/3.10A
	95A



- | | | |
|---------|-----------------------------------|---------------------------------|
| LNKO | Unidad interior | Indoor unit |
| KCHK | Unidad exterior | Outdoor unit |
| CFM | Motor ventilador exterior | Compressor fan motor |
| CH | Coilador de corte | Crank case heater |
| CM | Motor compresor | Compressor motor |
| DP | Bomba condensados | Drain pump |
| EH | Bateria electrica | Electric Heater |
| F1-5 | Fusible | Fuse |
| F | Protección térmica | Thermal protection |
| FM | Motor ventilador interior | Indoor fan motor |
| FSC | Control condensación proporcional | Fan speed control |
| HP | Presostato alta presión | High pressure pressostat |
| HPC | Control condensación color | Condensing pressostat heat pump |
| HPR | Control condensación TODO/NADA | Winter control ON/OFF |
| Id(LRA) | Intensidad de arranque | Starting current |
| ID | Sonda batería interior | Indoor sensor coil |

- | | | |
|----------|--|--|
| Int(MCC) | Intensidad máxima | Maximum current |
| L/R | Contactor o relé | Contact or relay |
| LS | Presostato de presión | Low pressure pressostat |
| MT | Sensor de nivel | Level sensor |
| NT | Termostato seguridad (70°C automático) | Safety thermostat (open 70°C autom. reset) |
| PCB1-2 | Placa control | Printed circuit board |
| Q1 | Interruptor diferencial | Differential circuit breaker |
| Q2 | Interruptor magnetotérmico | Magnetic circuit breaker |
| RC | Control remoto | Remote control |
| RV | Relé | Relay |
| TF1 | Válvula inversora (ON bomb) | Reverse valve (ON heat pump) |
| TS | Transformador | Transformer |
| TS | Sonda temperatura ambiente | Ambient temperature sensor |
| TS | Sonda temperatura batería exterior | Outdoor coil temperature sensor |

- | | | |
|----|--------|--------|
| wh | blanco | white |
| gn | verde | green |
| br | rojo | orange |
| rd | rojo | red |
| bk | negro | black |
| bl | azul | blue |
| br | rojo | orange |
| gn | verde | green |
| br | rojo | orange |
| rd | rojo | red |
| bk | negro | black |
| bl | azul | blue |
| br | rojo | orange |
| gn | verde | green |
| br | rojo | orange |
| rd | rojo | red |

Lennox Refco S.A. ESQUEMA ELECTRICO ELECTRIC DIAGRAM

LNKO 036 (LNKO + KCHK)

3Z-33-305-709 28G 1N~ 230V 50Hz + PE

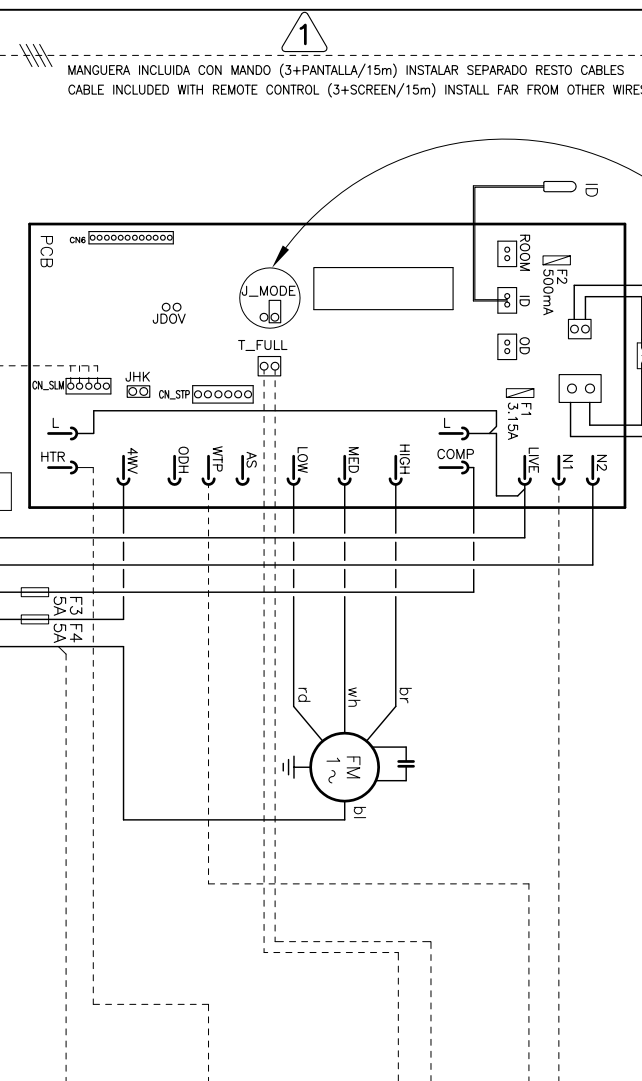
DUCTAIR VENTILADOR CENTRIFUGO – SOLO FRIO

OPCIONALES/OPTIONAL

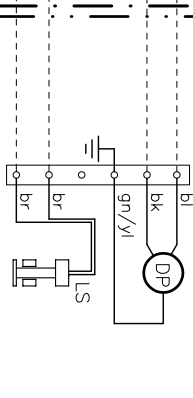
ANTES DE EFECTUAR LAS CONEXIONES ELECTRICAS, CONFIGURAR EL PUENTE J.MODE:
 ABIERTO SOLO FRIO (AJUSTE FABRICA)
 OPEN COOLING ONLY (FACTORY SETTING)

PRIOR TO MAKING THE ELECTRIC CONNECTIONS, SET THE JUMPER J.MODE:
 OPEN COOLING ONLY (FACTORY SETTING)

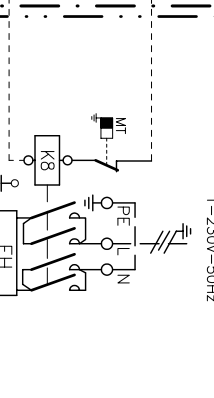
LNKO 036



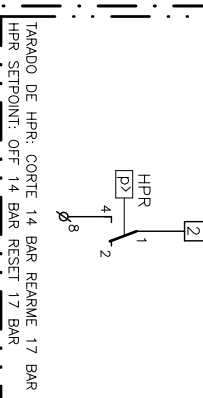
(DP) BOMBA CONDENSADOS/ DRAIN PUMP



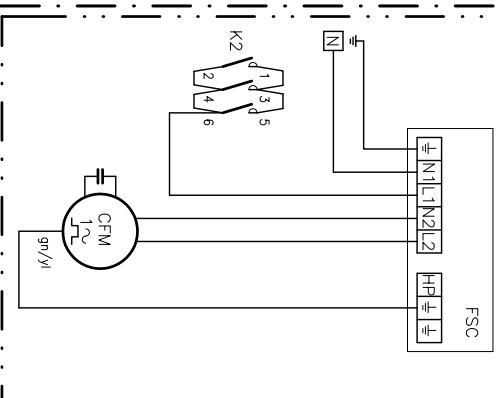
(EH) BATERIA ELECTRICA (EH) ELECTRICAL HEATER
 1-230V-50HZ



(HPR) CONTROL CONDENSACION TODO/NADA (HPR) WINTER CONTROL ON/OFF

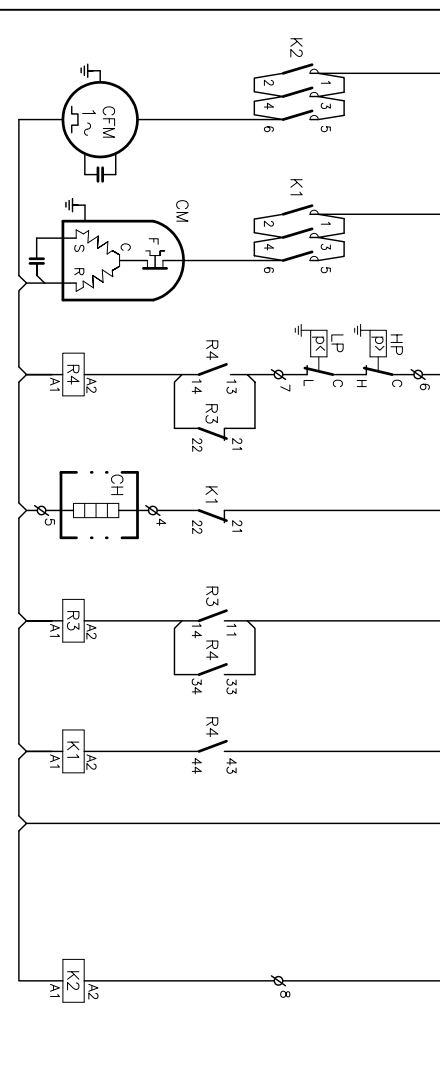


(FSC) CONTROL CONDENSACION PROPORCIONAL (FSC) FAN SPEED CONTROL



KCKK 036

CM	CFM
Int(MCC)	230V/230V
Id(LRA)	18.6A/3.10A
	95A



- | | | |
|---------|-----------------------------------|--------------------------|
| LNKO | Unidad interior | Indoor unit |
| KCKK | Unidad exterior | Outdoor unit |
| CFM | Motor ventilador exterior | Compressor fan motor |
| CH | Coilador de corte | Crank case heater |
| CM | Motor compresor | Compressor motor |
| DP | Bomba condensados | Drain pump |
| EH | Bateria electrica | Electric Heater |
| F1-4 | Fusible | Fuse |
| F | Protección térmica | Thermal protection |
| FM | Motor ventilador interior | Indoor fan motor |
| FSC | Control condensación proporcional | Fan speed control |
| HP | Presostato alta presión | High pressure pressostat |
| HPR | Control condensación TODO/NADA | Winter control ON/OFF |
| Id(LRA) | Intensidad de arranque | Starting current |
| ID | Sonda batería interior | Indoor sensor coil |

- | | | |
|----------|--|--|
| Int(MCC) | Intensidad máxima | Maximum current |
| L/R | Contactor o relé | Contact or relay |
| LS | Presostato | Level sensor |
| MT | Sensor de nivel | Level sensor |
| NT | Termostato seguridad (70°C automático) | Safety thermostat (open 70°C autom. reset) |
| PCB | Placa control | Printed circuit board |
| Q1 | Interruptor diferencial | Differential circuit breaker |
| Q2 | Interruptor magnetotérmico | Magnetic circuit breaker |
| RC | Control remoto | Remote control |
| RV | Relé | Relay |
| TF1 | Transformador | Transformer |
| TS | Sonda temperatura ambiente | Ambient temperature sensor |
| TS | Sonda temperatura batería exterior | Outdoor coil temperature sensor |

- | | | |
|----|--------|--------|
| wh | blanco | white |
| gn | verde | green |
| br | rojo | orange |
| rd | rojo | red |
| bk | negro | black |
| bl | azul | blue |
| br | rojo | orange |
| gn | verde | green |
| br | rojo | orange |
| rd | rojo | red |
| bk | negro | black |
| bl | azul | blue |
| br | rojo | orange |
| gn | verde | green |
| br | rojo | orange |
| rd | rojo | red |

Lennox Refco S.A. ESQUEMA ELECTRICO ELECTRIC DIAGRAM

LNKO 036 (LNKO + KCKK)

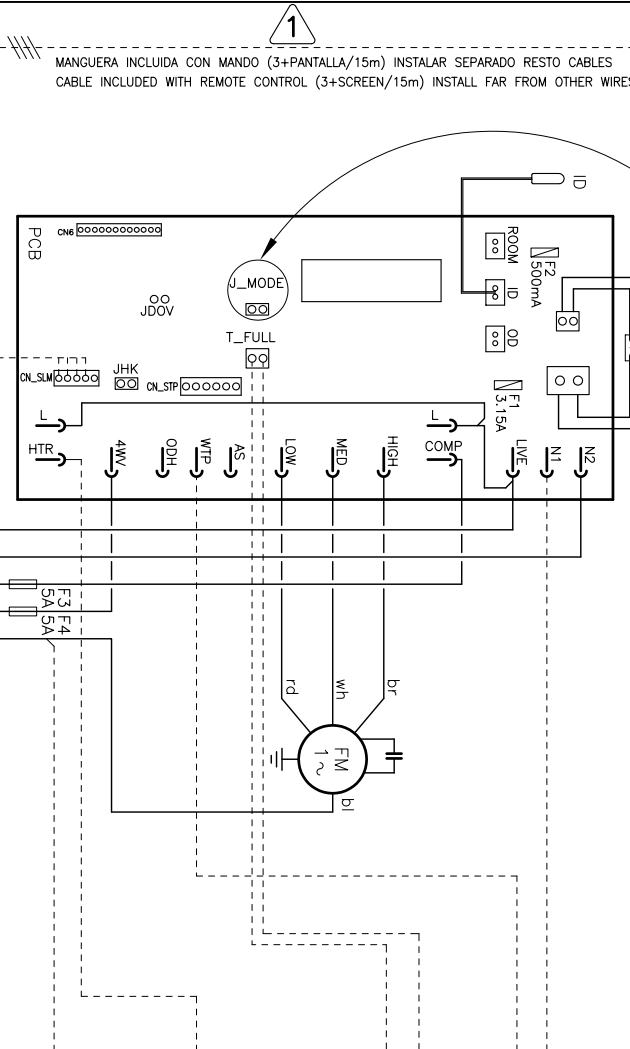
3Z-33-305-709 28G 1N~ 230V 50Hz + PE

DUCTAIR VENTILADOR AXIAL – BOMBA CALOR
HEAT PUMP

ANTES DE EFECTUAR LAS CONEXIONES ELECTRICAS, CONFIGURAR EL PUEBTE J.MODE:
 CERRADO BOMBA DE CALOR
 OPEN COOLING ONLY (FACTORY SETTING)

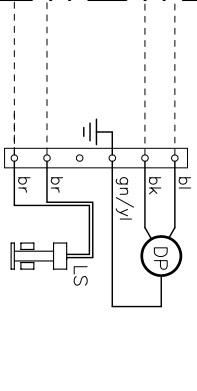
PRIOR TO MAKING THE ELECTRIC CONNECTIONS, SET THE JUMPER J.MODE:
 CERRADO BOMBA DE CALOR
 CLOSED HEAT PUMP

LNXXO 036

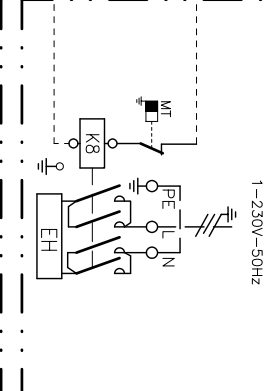


OPCIONALES/OPTIONAL

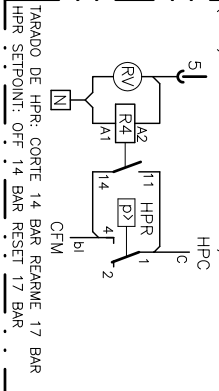
(DP) BOMBA CONDENSADOS/ DRAIN PUMP



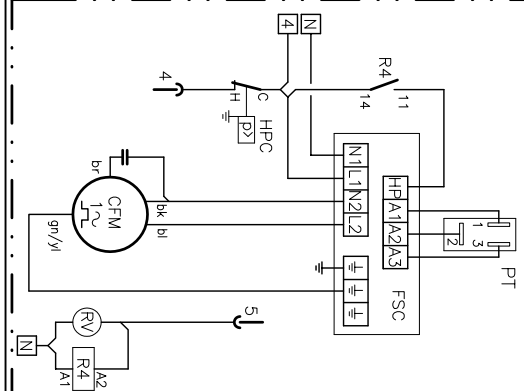
(EH) BATERIA ELECTRICA
(EH) ELECTRICAL HEATER
1-230V-50HZ



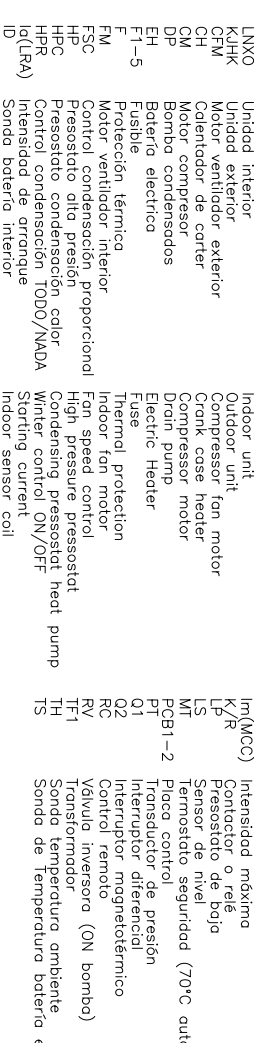
(HPR) CONTROL CONDENSACION TODO/NADA
(HPR) WINTER CONTROL ON/OFF



(FSC) CONTROL CONDENSACION PROPORCIONAL
(FSC) FAN SPEED CONTROL



KJHK 036



- | | | |
|---------|-----------------------------------|---------------------------------|
| LNXXO | Unidad interior | Indoor unit |
| KJHK | Unidad exterior | Outdoor unit |
| CFM | Motor ventilador exterior | Compressor fan motor |
| CH | Coilador de Carter | Crank case heater |
| CM | Motor compresor | Compressor motor |
| DP | Bomba condensados | Drain pump |
| EH | Bateria electrica | Electric Heater |
| F1-5 | Fusible | Fuse |
| F | Proteccion termica | Thermal protection |
| FSC | Motor ventilador interior | Indoor fan motor |
| FM | Control condensacion proporcional | Fan speed control |
| HP | Presostato alta presion | High pressure pressostat |
| HPC | Presostato condensacion color | Condensing pressostat heat pump |
| HPR | Control condensacion TODO/NADA | Winter control ON/OFF |
| RC(LRA) | Intensidad de arranque | Starting current |
| ID | Sonda baterio interior | Indoor sensor coil |

Lennox Refco S.A. ESQUEMA ELECTRICICO
ELECTRIC DIAGRAM

KJHK 036
(LNXXO + KJHK)

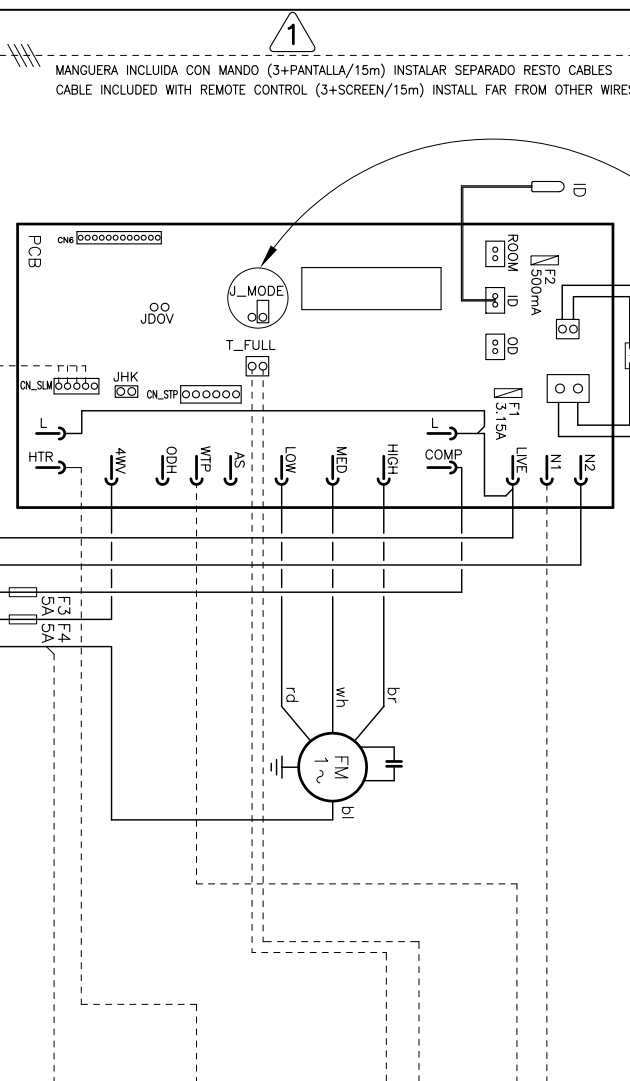
3Z-33-305-709 28G
1N~ 230V 50Hz + PE

DUCTAIR VENTILADOR AXIAL – SOLO FRIO
COOLING ONLY

ANTES DE EFECTUAR LAS CONEXIONES ELECTRICAS, CONFIGURAR EL PUEBTE J.MODE:
 ABIERTO SOLO FRIO (AJUSTE FABRICA)
 OPEN COOLING ONLY (FACTORY SETTING)

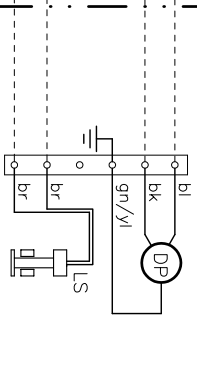
PRIOR TO MAKING THE ELECTRIC CONNECTIONS, SET THE JUMPER J.MODE:
 CERRADO BOMBA DE CALOR
 CLOSED HEAT PUMP

LNXXO 036

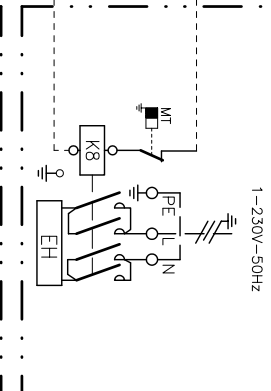


OPCIONALES/OPTIONAL

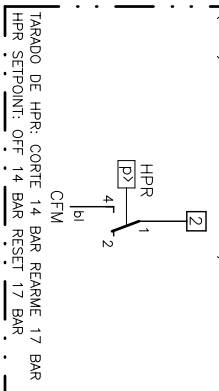
(DP) BOMBA CONDENSADOS/ DRAIN PUMP



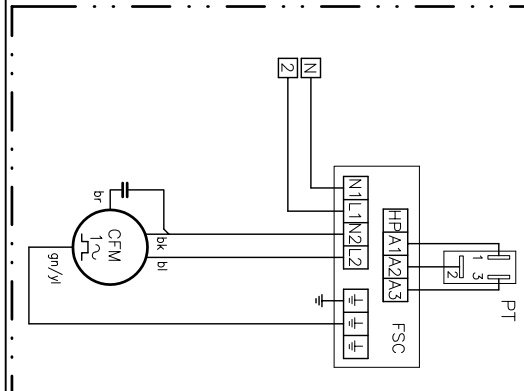
(EH) BATERIA ELECTRICA
(EH) ELECTRICAL HEATER
1-230V-50HZ



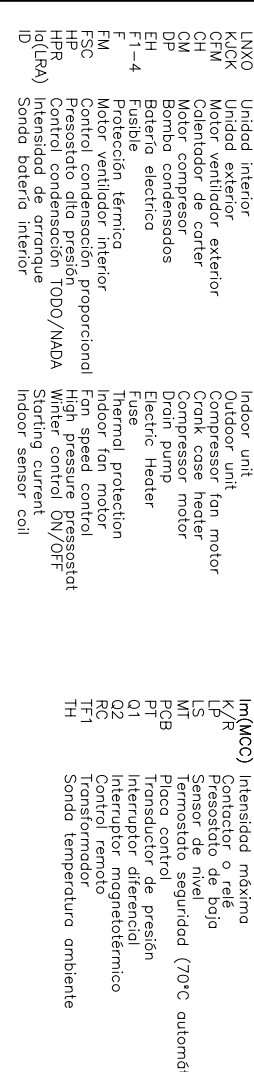
(HPR) CONTROL CONDENSACION TODO/NADA
(HPR) WINTER CONTROL ON/OFF



(FSC) CONTROL CONDENSACION PROPORCIONAL
(FSC) FAN SPEED CONTROL



KJCK 036



- | | | |
|---------|-----------------------------------|--------------------------|
| LNXXO | Unidad interior | Indoor unit |
| KJCK | Unidad exterior | Outdoor unit |
| CFM | Motor ventilador exterior | Compressor fan motor |
| CH | Coilador de Carter | Crank case heater |
| CM | Motor compresor | Compressor motor |
| DP | Bomba condensados | Drain pump |
| EH | Bateria electrica | Electric Heater |
| F1-4 | Fusible | Fuse |
| F | Proteccion termica | Thermal protection |
| FM | Motor ventilador interior | Indoor fan motor |
| FSC | Control condensacion proporcional | Fan speed control |
| HP | Presostato alta presion | High pressure pressostat |
| HPR | Control condensacion TODO/NADA | Winter control ON/OFF |
| ID(LRA) | Intensidad de arranque | Starting current |
| ID | Sonda baterio interior | Indoor sensor coil |

Lennox Refco S.A. ESQUEMA ELECTRICICO
ELECTRIC DIAGRAM

KJCK 036
(LNXXO + KJCK)

3Z-33-305-709 28G
1N~ 230V 50Hz + PE