

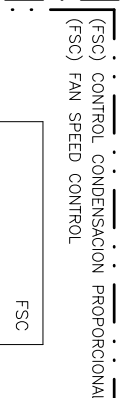
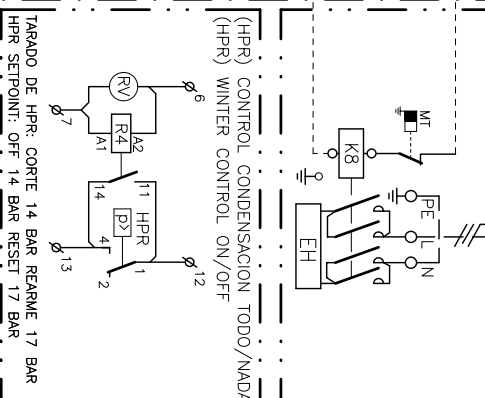
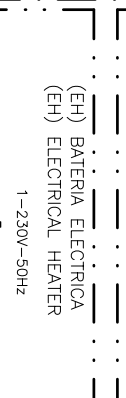
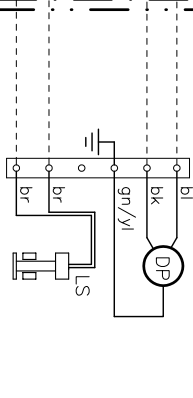
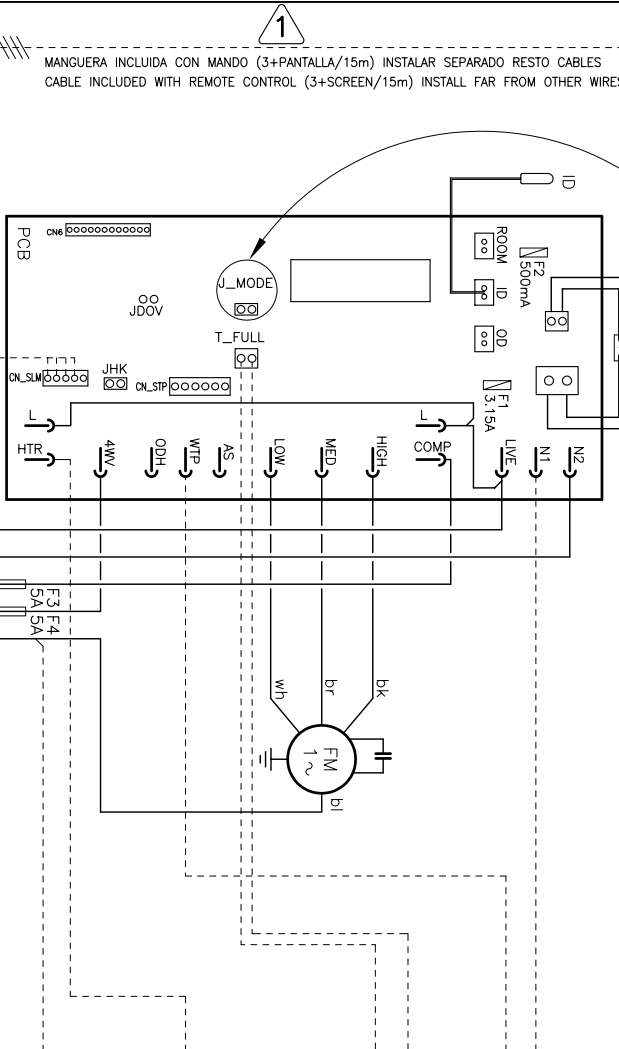
# DUCTAIR VENTILADOR CENTRIFUGO – BOMBA CALOR

## OPCIONALES/OPTIONAL

ANTES DE EFECTUAR LAS CONEXIONES ELECTRICAS, CONFIGURAR EL PUENTE J1.MODE:  
 CERRADO BOMBA DE CALOR  
 OPEN COOLING ONLY (FACTORY SETTING)

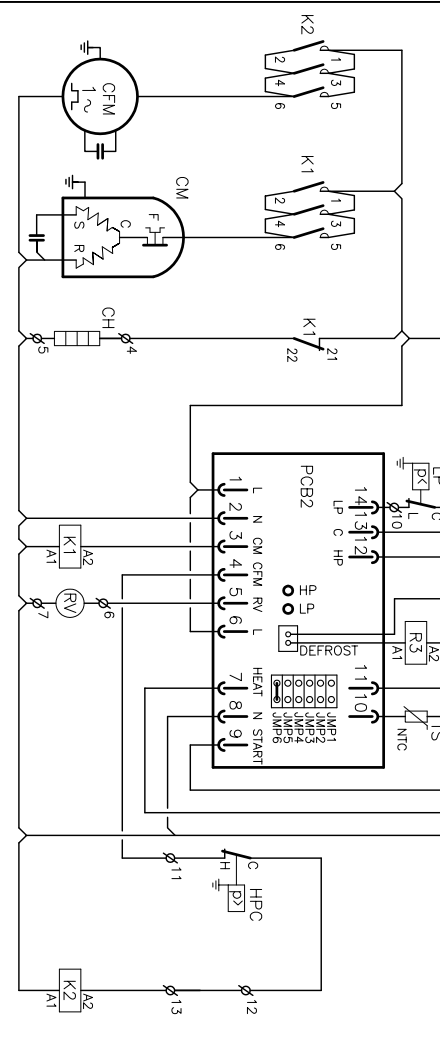
PRIOR TO MAKING THE ELECTRIC CONNECTIONS, SET THE JUMPER J1.MODE:  
 CLOSED HEAT PUMP  
 OPEN COOLING ONLY (FACTORY SETTING)

LNXXO 030



### KCHK 030

CM	CFM
230V	230V
Im(MCC)	17.3A/5.10A
Id(LRA)	76A



LNXXO	Unidad interior	Indoor unit
KCHK	Unidad exterior	Outdoor unit
CFM	Motor ventilador exterior	Compressor fan motor
CH	Colelector de Carter	Crank case heater
CM	Motor compresor	Compressor motor
DP	Bomba condensados	Drain pump
EH	Bateria electrica	Electric Heater
F1-5	Fusible	Fuse
F	Protección térmica	Thermal protection
FM	Motor ventilador interior	Indoor fan motor
FSC	Control condensación proporcional	Fan speed control
HP	Presostato alta presión	High pressure pressostat
HPC	Presostato condensación color	Condensing pressostat heat pump
HPR	Control condensación TODO/NADA	Winter control ON/OFF
Id(LRA)	Intensidad de arranque	Starting current
Id	Sonda batería interior	Indoor sensor coil

Im(MCC)	Intensidad máxima	Maximum current
L2/R	Protector de sobrecorriente	Overcurrent relay
LS	Presostato de presión	Low pressure pressostat
MT	Sensor de nivel	Level sensor
PCB1-2	Placa control	Printed circuit board
Q1	Termostato seguridad (70°C automático)	Safety thermostat (open 70°C autom. reset)
Q2	Interrupción diferencial	Differential circuit breaker
RC	Interrupción magneto térmico	Magnetic thermal circuit breaker
RV	Control remoto	Remote control
TF1	Válvula inversora (ON bomb)	Reverse valve (ON heat pump)
TS	Transformador	Transformer
TS	Sonda temperatura ambiente	Ambient temperature sensor
TS	Sonda temperatura batería exterior	Outdoor coil temperature sensor

Elemento Opcional	-----
Optional Element	-----
A Realizar por el Instalador	-----
To Wire by the Installer	-----

ESQUEMA ELECTRICO  
ELECTRIC DIAGRAM

Lennox Refac SA.

LNXXO + KCHK

32-33-304-709 28G  
1N~ 230V 50Hz + PE

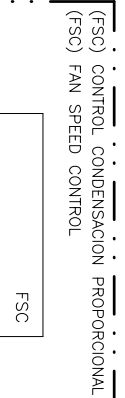
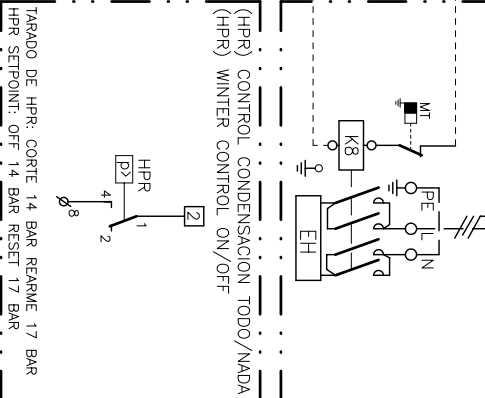
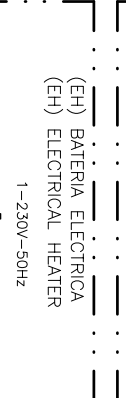
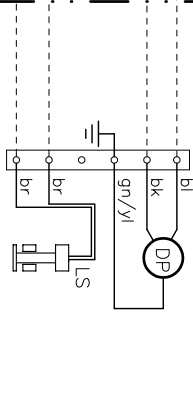
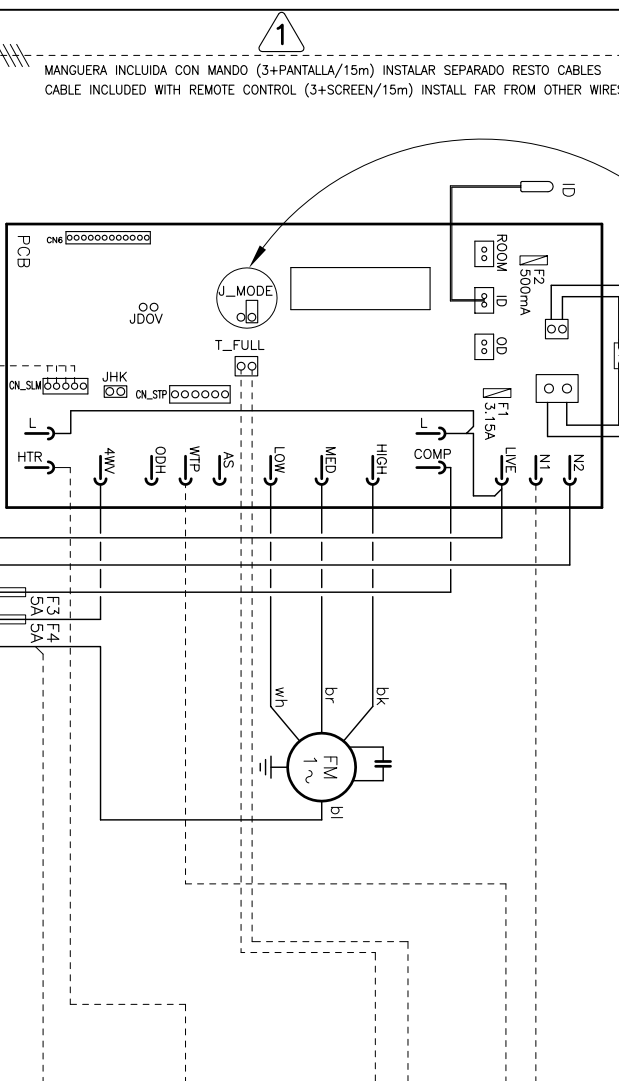
# DUCTAIR VENTILADOR CENTRIFUGO – SOLO FRIO

## OPCIONALES/OPTIONAL

ANTES DE EFECTUAR LAS CONEXIONES ELECTRICAS, CONFIGURAR EL PUENTE J1.MODE:  
 ABIERTO SOLO FRIO (AJUSTE FABRICA)  
 OPEN COOLING ONLY (FACTORY SETTING)

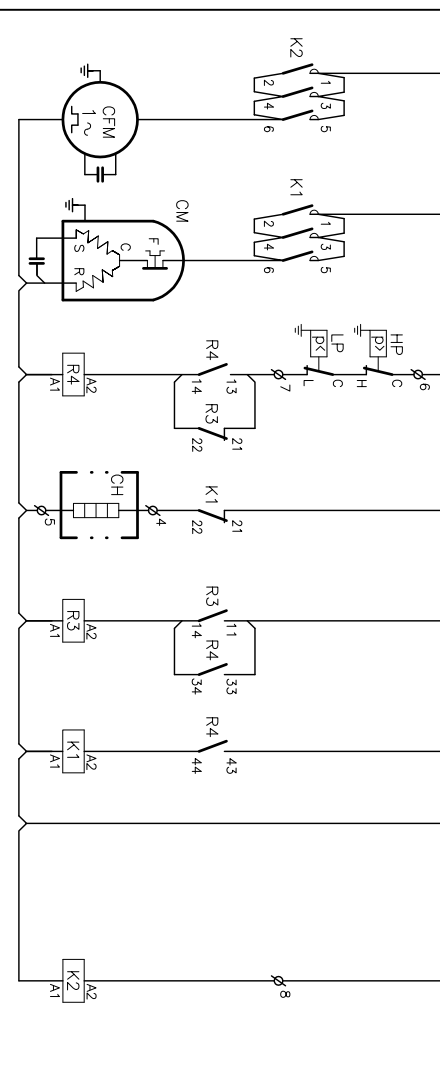
PRIOR TO MAKING THE ELECTRIC CONNECTIONS, SET THE JUMPER J1.MODE:  
 OPEN COOLING ONLY (FACTORY SETTING)

LNXXO 030



### KCKK 030

CM	CFM
230V	230V
Im(MCC)	17.3A/5.10A
Id(LRA)	76A



LNXXO	Unidad interior	Indoor unit
KCKK	Unidad exterior	Outdoor unit
CFM	Motor ventilador exterior	Compressor fan motor
CH	Colelector de Carter	Crank case heater
CM	Motor compresor	Compressor motor
DP	Bomba condensados	Drain pump
EH	Bateria electrica	Electric Heater
F1-4	Fusible	Fuse
F	Protección térmica	Thermal protection
FM	Motor ventilador interior	Indoor fan motor
FSC	Control condensación proporcional	Fan speed control
HP	Presostato alta presión	High pressure pressostat
HPR	Control condensación TODO/NADA	Winter control ON/OFF
Id(LRA)	Intensidad de arranque	Starting current
Id	Sonda batería interior	Indoor sensor coil

Im(MCC)	Intensidad máxima	Maximum current
L2/R	Protector de sobrecorriente	Overcurrent relay
LS	Presostato de presión	Low pressure pressostat
MT	Sensor de nivel	Level sensor
PCB	Placa control	Printed circuit board
Q1	Termostato seguridad (70°C automático)	Safety thermostat (open 70°C autom. reset)
Q2	Interrupción diferencial	Differential circuit breaker
RC	Interrupción magneto térmico	Magnetic thermal circuit breaker
RV	Control remoto	Remote control
TF1	Transformador	Transformer
TS	Sonda temperatura ambiente	Ambient temperature sensor
TS	Sonda temperatura batería exterior	Outdoor coil temperature sensor

Elemento Opcional	-----
Optional Element	-----
A Realizar por el Instalador	-----
To Wire by the Installer	-----

ESQUEMA ELECTRICO  
ELECTRIC DIAGRAM

Lennox Refac SA.

LNXXO + KCKK

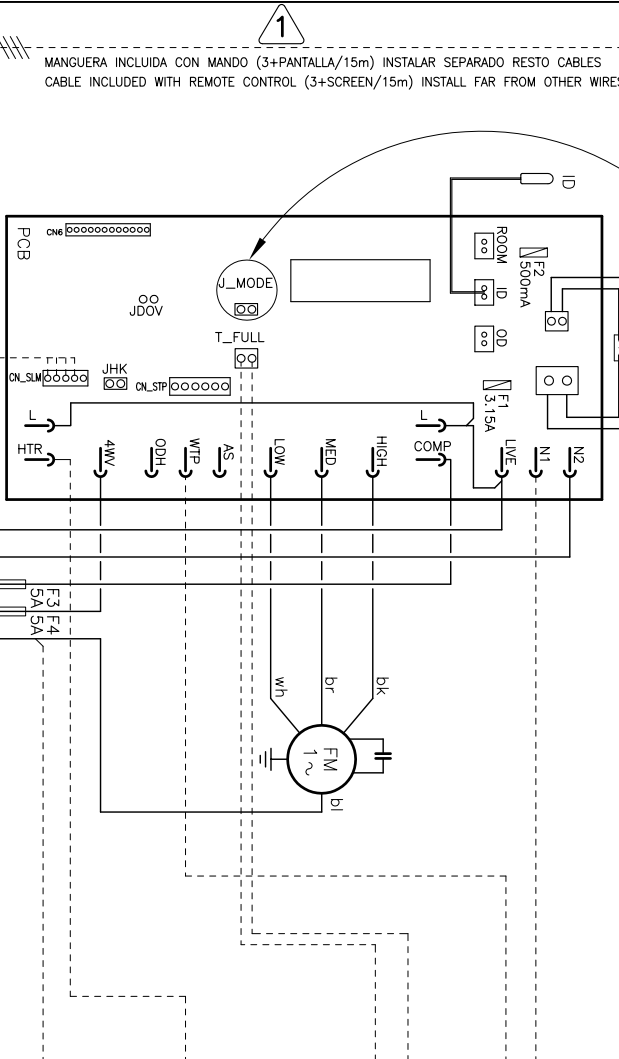
32-33-304-709 28G  
1N~ 230V 50Hz + PE

**DUCTAIR VENTILADOR AXIAL – BOMBA CALOR**  
**HEAT PUMP**

ANTES DE EFECTUAR LAS CONEXIONES ELECTRICAS, CONFIGURAR EL PUENTE J.MODE:  
ABIERTO SOLO FRIO (AJUSTE FABRICA)  
OPEN COOLING ONLY (FACTORY SETTING)

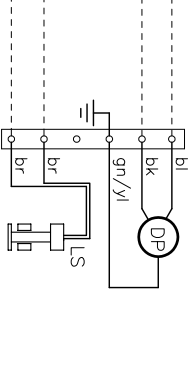
PRIOR TO MAKING THE ELECTRIC CONNECTIONS, SET THE JUMPER J.MODE:  
CERRADO BOMBA DE CALOR  
CLOSED HEAT PUMP

LNXXO 030

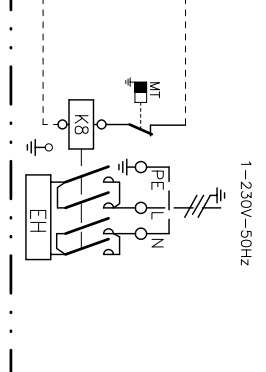


**OPCIONALES/OPTIONAL**

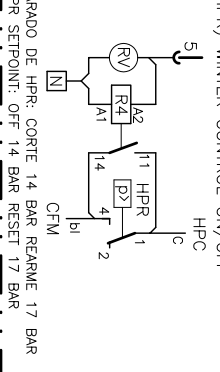
(DP) BOMBA CONDENSADOS/ DRAIN PUMP



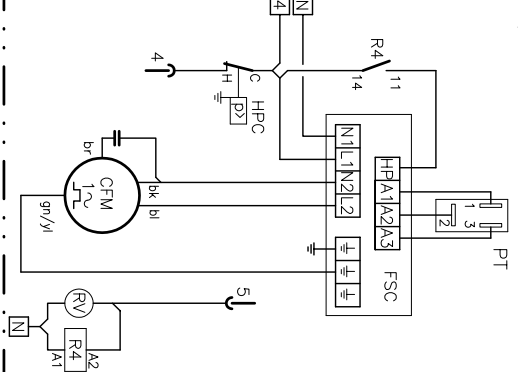
(EH) BATERIA ELECTRICA  
(EH) ELECTRICAL HEATER  
1-230V-50HZ



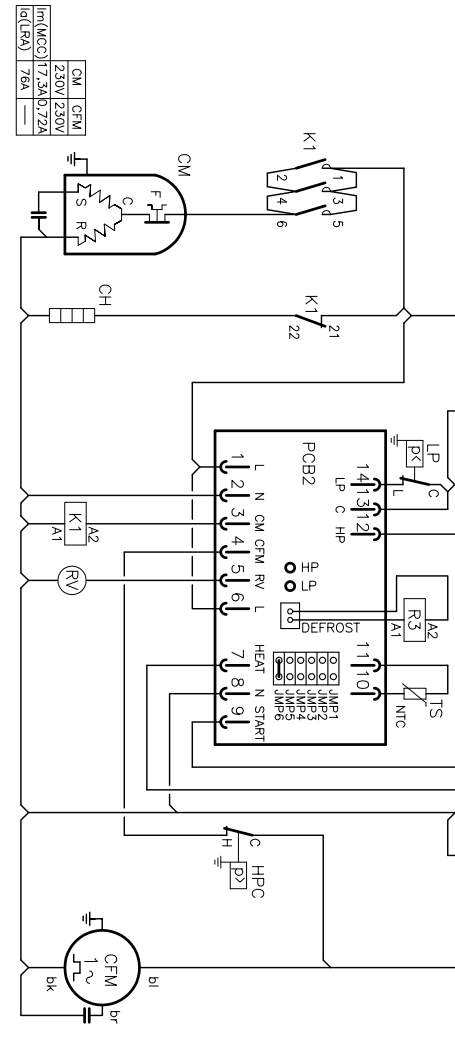
(HPR) CONTROL CONDENSACION TODO/NADA  
(HPR) WINTER CONTROL ON/OFF



(FSC) CONTROL CONDENSACION PROPORCIONAL  
(FSC) FAN SPEED CONTROL



**KJHK 030**



- |         |                                   |                                 |
|---------|-----------------------------------|---------------------------------|
| LNXXO   | Unidad interior                   | Indoor unit                     |
| KJHK    | Unidad exterior                   | Outdoor unit                    |
| CFM     | Motor ventilador exterior         | Compressor fan motor            |
| CH      | Coilador de Carter                | Crank case heater               |
| CM      | Motor compresor                   | Compressor motor                |
| DP      | Bomba condensados                 | Drain pump                      |
| EH      | Bateria electrica                 | Electric Heater                 |
| F1-5    | Fusible                           | Fuse                            |
| F       | Proteccion termica                | Thermal protection              |
| FM      | Motor ventilador interior         | Indoor fan motor                |
| FSC     | Control condensacion proporcional | Fan speed control               |
| HP      | Presostato alta presion           | High pressure pressostat        |
| HPC     | Control condensacion color        | Condensing pressostat heat pump |
| HPR     | Control condensacion TODO/NADA    | Winter control ON/OFF           |
| IR(LRA) | Intensidad de arranque            | Starting current                |
| ID      | Sonda baterio interior            | Indoor sensor coil              |

- |         |                                       |  |
|---------|---------------------------------------|--|
| IR(MXC) | Intensidad mxáximo                    | Maximum current                            |
| IR      | Control de relay                      | Control of relay                           |
| KP      | Control de nivel                      | Level sensor                               |
| LS      | Termostato seguridad (70°C autom.)    | Safety thermostat (open 70°C autom. reset) |
| MT      | Presostato de agua                    | Water pressure pressostat                  |
| MS      | Sensor de nivel                       | Level sensor                               |
| PCB1-2  | Placa control                         | Printed circuit board                      |
| PT      | Transductor de presion                | Pressure transducer                        |
| Q1      | Interrupor diferencial                | Ground safety switch                       |
| Q2      | Interrupor magnetotérmico             | Circuit Breaker                            |
| RC      | Control remoto                        | Remote control                             |
| RF1     | Control fan motor                     | Fan speed control                          |
| TF1     | High pressure pressostat              | High pressure pressostat                   |
| TS      | Sonda temperatura ambiente            | Ambient temperature sensor                 |
| TS      | Sonda de temperatura baterio exterior | Outdoor coil temperature sensor            |

- |    |          |        |
|----|----------|--------|
| wh | blanco   | white  |
| gn | verde    | green  |
| br | rojo     | orange |
| rd | rojo     | red    |
| bk | negro    | black  |
| bl | azul     | blue   |
| br | rojo     | brown  |
| yl | amarillo | yellow |

Elemento Opcional  
Optional Element  
A Realizar por el Instalador  
To Wire by the Installer

Lennox Refac SA. ESQUEMA ELECTRICICO  
ELECTRIC DIAGRAM

LNXXO + KJHK

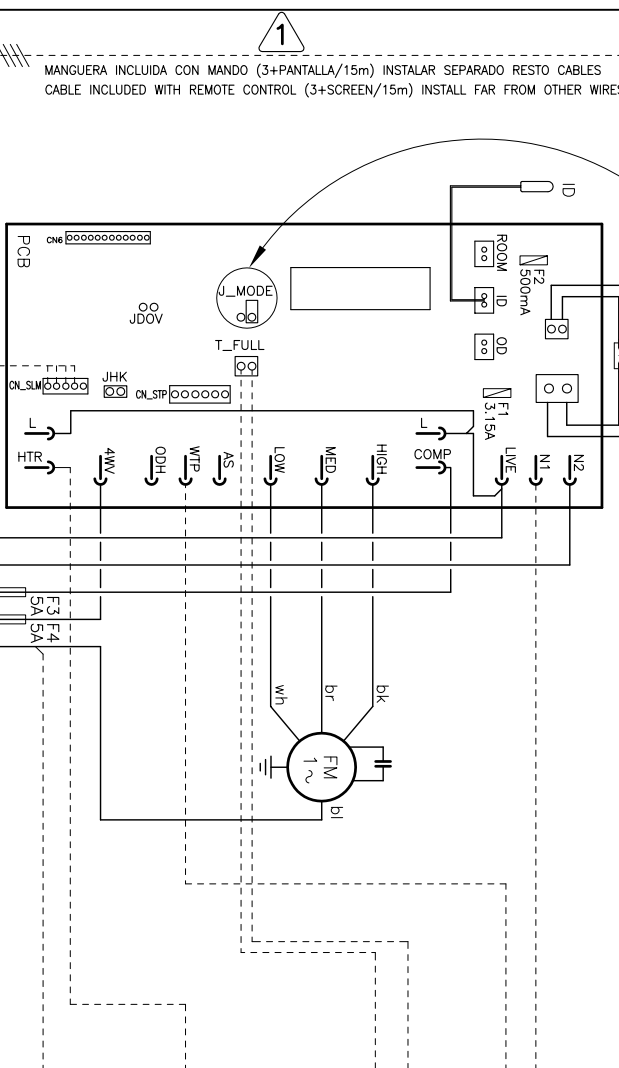
3Z-33-304-709 28G  
1N~ 230V 50Hz + PE

**DUCTAIR VENTILADOR AXIAL – SOLO FRIO**  
**COOLING ONLY**

ANTES DE EFECTUAR LAS CONEXIONES ELECTRICAS, CONFIGURAR EL PUENTE J.MODE:  
ABIERTO SOLO FRIO (AJUSTE FABRICA)  
OPEN COOLING ONLY (FACTORY SETTING)

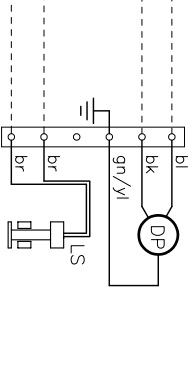
PRIOR TO MAKING THE ELECTRIC CONNECTIONS, SET THE JUMPER J.MODE:  
CERRADO BOMBA DE CALOR  
CLOSED HEAT PUMP

LNXXO 030

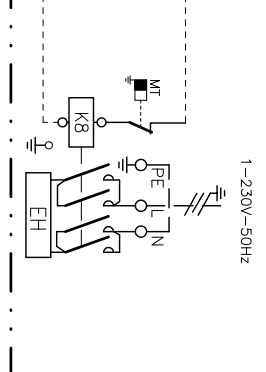


**OPCIONALES/OPTIONAL**

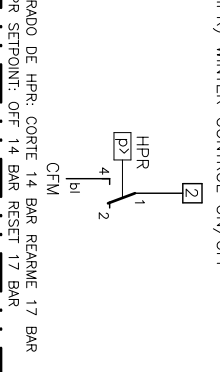
(DP) BOMBA CONDENSADOS/ DRAIN PUMP



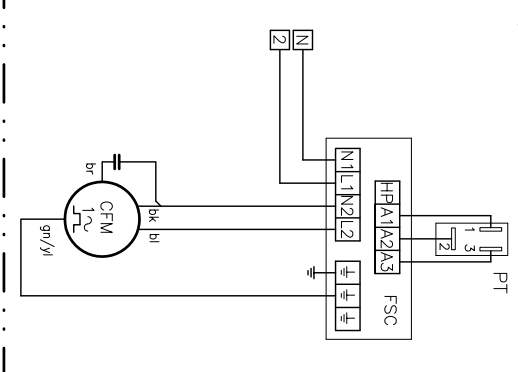
(EH) BATERIA ELECTRICA  
(EH) ELECTRICAL HEATER  
1-230V-50HZ



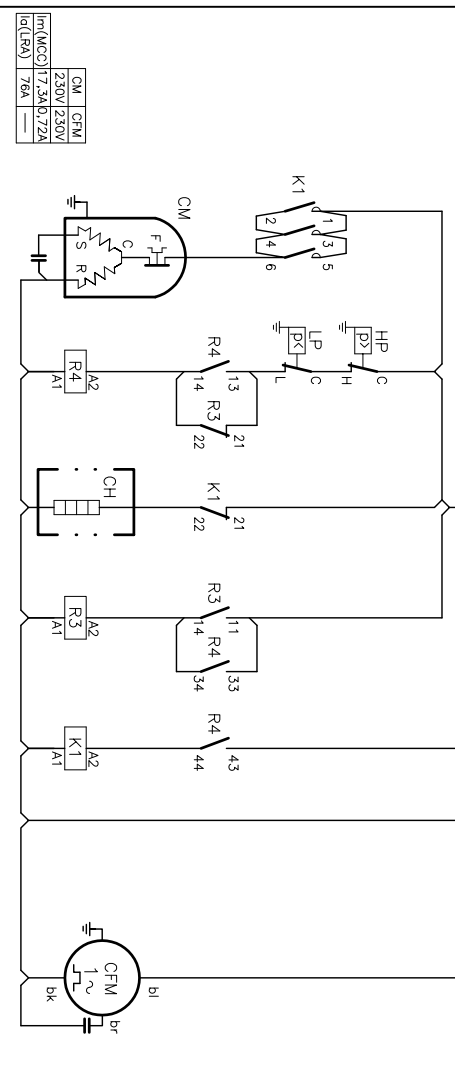
(HPR) CONTROL CONDENSACION TODO/NADA  
(HPR) WINTER CONTROL ON/OFF



(FSC) CONTROL CONDENSACION PROPORCIONAL  
(FSC) FAN SPEED CONTROL



**KJCK 030**



- |         |                                   |                          |
|---------|-----------------------------------|--------------------------|
| LNXXO   | Unidad interior                   | Indoor unit              |
| KJCK    | Unidad exterior                   | Outdoor unit             |
| CFM     | Motor ventilador exterior         | Compressor fan motor     |
| CH      | Coilador de Carter                | Crank case heater        |
| CM      | Motor compresor                   | Compressor motor         |
| DP      | Bomba condensados                 | Drain pump               |
| EH      | Bateria electrica                 | Electric Heater          |
| F1-4    | Fusible                           | Fuse                     |
| F       | Proteccion termica                | Thermal protection       |
| FM      | Motor ventilador interior         | Indoor fan motor         |
| FSC     | Control condensacion proporcional | Fan speed control        |
| HP      | Presostato alta presion           | High pressure pressostat |
| HPR     | Control condensacion TODO/NADA    | Winter control ON/OFF    |
| IR(LRA) | Intensidad de arranque            | Starting current         |
| ID      | Sonda baterio interior            | Indoor sensor coil       |

- |         |                                       |  |
|---------|---------------------------------------|--|
| IR(MXC) | Intensidad mxáximo                    | Maximum current                            |
| IR      | Control de relay                      | Control of relay                           |
| KP      | Control de nivel                      | Level sensor                               |
| LS      | Termostato seguridad (70°C autom.)    | Safety thermostat (open 70°C autom. reset) |
| MT      | Presostato de agua                    | Water pressure pressostat                  |
| MS      | Sensor de nivel                       | Level sensor                               |
| PCB     | Placa control                         | Printed circuit board                      |
| PT      | Transductor de presion                | Pressure transducer                        |
| Q1      | Interrupor diferencial                | Ground safety switch                       |
| Q2      | Interrupor magnetotérmico             | Circuit Breaker                            |
| RC      | Control remoto                        | Remote control                             |
| TF1     | High pressure pressostat              | High pressure pressostat                   |
| TH      | Sonda temperatura ambiente            | Ambient temperature sensor                 |
| TH      | Sonda de temperatura baterio exterior | Outdoor coil temperature sensor            |

Elemento Opcional  
Optional Element  
A Realizar por el Instalador  
To Wire by the Installer

Lennox Refac SA. ESQUEMA ELECTRICICO  
ELECTRIC DIAGRAM

LNXXO + KJCK

3Z-33-304-709 28G  
1N~ 230V 50Hz + PE