

Installation, operating and maintenance **DUCTAIR™ II**



- Providing indoor climate comfort



CONTENT

Installation precaution	4
Installation place	4
Wire control installation.....	6
Indoor unit installation.....	8
Outdoor unit installation.....	9
Install the connecting pipe	15
Connect the drain pipe	18
Wiring	21
Test operation.....	28

INSTALLATION PRECAUTION

- To install properly, please read this manual at first.
- The air conditioner must be installed by qualified persons.
- When installing the indoor unit or its tubing, please follow this manual as strictly as possible.
- When all the installation work is finished, please turn on the power only after a thorough check.
- No further announcement if there is any change of this manual caused by product improvement.

Note: The installer should illustrate to users how to correctly use and maintain the air-conditioner, as well as remind users to carefully read and keep both Installation Manual and Owner's Manual well.

INSTALLATION PLACE

■ The Indoor Unit

- There is enough room for installation and maintenance.
- The ceiling is horizontal, and its structure can endure the weight of the indoor unit.
- The air outlet and the air inlet are not impeded, and the influence of external air is the least.
- The air flow can reach throughout the room.
- The connecting pipe and drainpipe could be extracted out easily.
- There is no direct radiation from heaters

■ The Outdoor Unit

- There is enough room for installation and maintenance.
- The air outlet and the air inlet are not impeded, and can not be reached by strong wind. The place is dry and ventilative.
- The support is flat and horizontal and can stand the weight of the outdoor unit. And no additional noise or vibration.
- Your neighborhood will not feel uncomfortable with the noise or expelled air.
- There is no leakage of combustible gas.
- It is easy to install the connecting pipe or cables.

Cautions

Location in the following places may cause malfunction of the machine. (If unavoidable, please consult your local dealer.)

- a. There exists petrolatum.
- b. There is salty air surrounding (near the coast).
- c. There is caustic gas (the sulfide, for example) existing in the air (near a hot spring).
- d. The Volt vibrates violently (in the factories).

- e. In buses or cabinets.
- f. In kitchen where it is full of oil gas.
- g. There is strong electromagnetic wave existing.
- h. There are inflammable materials or gas.
- i. There is acid or alkaline liquid evaporating.
- j. Other special conditions.

■ Notes Before Installation

1. Select the correct carry-in path.
2. Move this unit as originally packaged as possible.
3. If the air conditioner is installed on a metal part of the building, it must be electrically insulated according to the relevant standards to electrical appliances.

NOTE:

Remark per EMC Directive 89/336/EEC

For to prevent flicker impressions during the start of the compressor (technical process), following installation conditions apply.

1. The power connection for the air conditioner has to be done at the main power distribution. The distribution has to be of a low impedance, normally the required impedance reaches a at 32A fusing point.
2. No other equipment has to be connected with this power line.
3. For detailed installation acceptance, please refer to your contract with the power supplier restrictions do apply for products like washing machines, air conditioners or electrical if ovens.
4. For power details of the air conditioner, refer to the rating plate of the product.
5. For any question contact your local dealer.

WIRE CONTROLLER INSTALLATION MANUAL

SAFETY PRECAUTIONS

- Please read this safety precaution carefully before installation.
- Do observe the following safety precautions, for they are very important.
- Meaning of marks:

	CAUTION	This sign warns of risk of death or serious injury
	NOTE	This sign warns of injury or damage to property

- Confirm there is no abnormal phenomena during test operation after installation completed, then hand the manual to the user.

CAUTION

Installation must be conducted by professionals

Others may perform improper installation which cause electric shock or fire.

Follow this manual as strictly as possible

Improper installation may cause electric shock or fire

Another installation must be performed by professionals

Improper installation may cause electric shock or fire

Don't disassemble your air conditioner at will

A random disassembly may cause abnormal operation or heating, which may result in fire.

NOTE

Don't install it in a place where combustible gas easily leaks

Once combustible gas leaks and remains around central Controller, fire may be caused

Wire must be suitable for the current of central Controller.

Otherwise electricity leakage or heating may be caused, which may result in fire

Wire must be suitable for central controller, never bring outside force to bear on the terminal

Otherwise wire break or heating may be caused, which may result in fire.

OTHER PRECAUTIONS

Installation Location

Do not install it in a place with oil, steam or sulphur gas, or else deform or malfunction may occur.

Preparation Before Installation

1. Make sure the following parts has been prepared

Number	Name	Quantity	Note
1	Wire Controller	1	With Corer
2	Wood Mounting Screw	2	M4X20 (For Mounting on the Wall)
3	Tornillo de montaje	2	M4X25 (For Mounting on the Electrical Switch Box)
4	Installation Manual	1	_____
5	Owner's Manual	1	_____

2. Preparing for the following at site

Number	Name	Quantity		Remarks
		Install into the Wall	Install On the Wall	
1	5-core Shield Cable	1	1	Take 0.05mm \times 5 Cable below 30m length
2	Switch Box	1	_____	_____
3	Wiring Tube (Insulating Sleeve and Tightening Screw)	1	_____	_____

Wire Controller Installation Notice

1. This installation manual contains information about the procedure of installing Wire Controller. Please refer to Indoor Unit Installation Manual for connecting between Wire Controller and Indoor Unit.
2. Circuit of Wire Controller is low voltage circuit. Never connect it with a standard 220V/380V circuit or put it into a same Wiring Tube with the circuit.
3. The shield cable must be connected stable to the ground, or transmission may fail.
4. Do not attempt to extend the shield cable by cutting, if it is necessary, use Terminal Connection Block to connect.
5. After finishing connection, do not use Megger to have the insulation check to the signal wire.

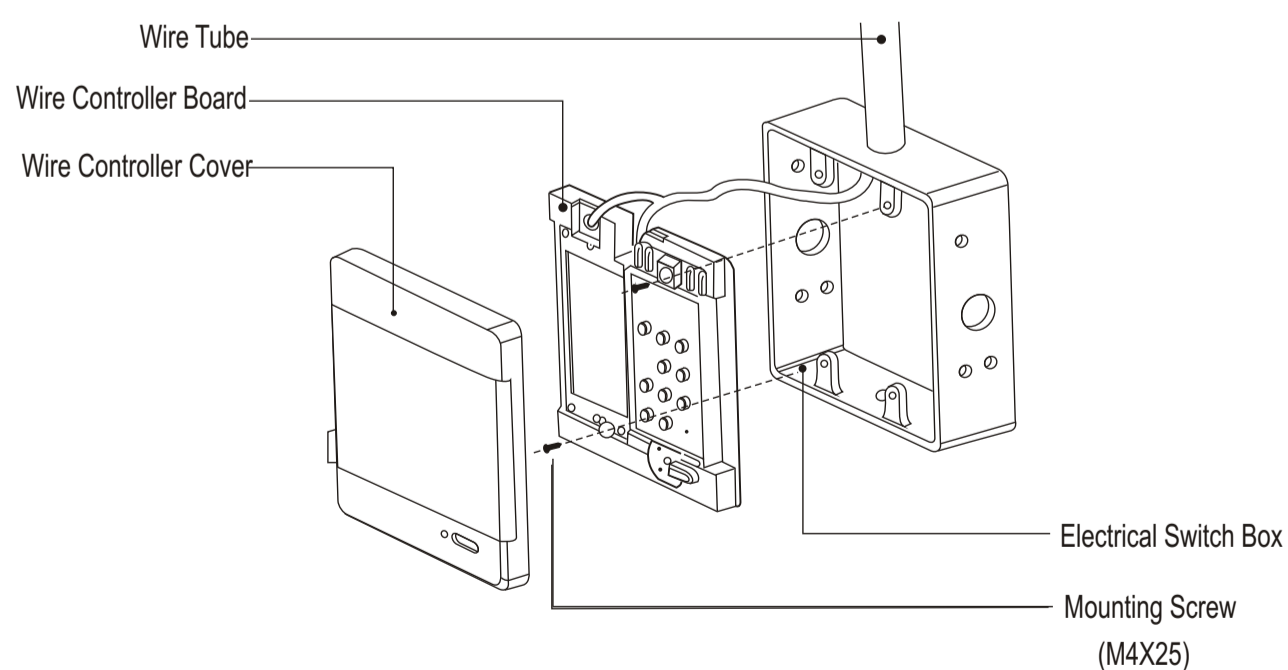
INSTALLATION PROCEDURE

• Installation into the wall

The diameter of Wire Controller wire must be suitable for its length.

Wiring Tube must be suitable for the wires.

Turn a screwdriver at the concave on bottom panel of the Wire Controller to remove the Cover.

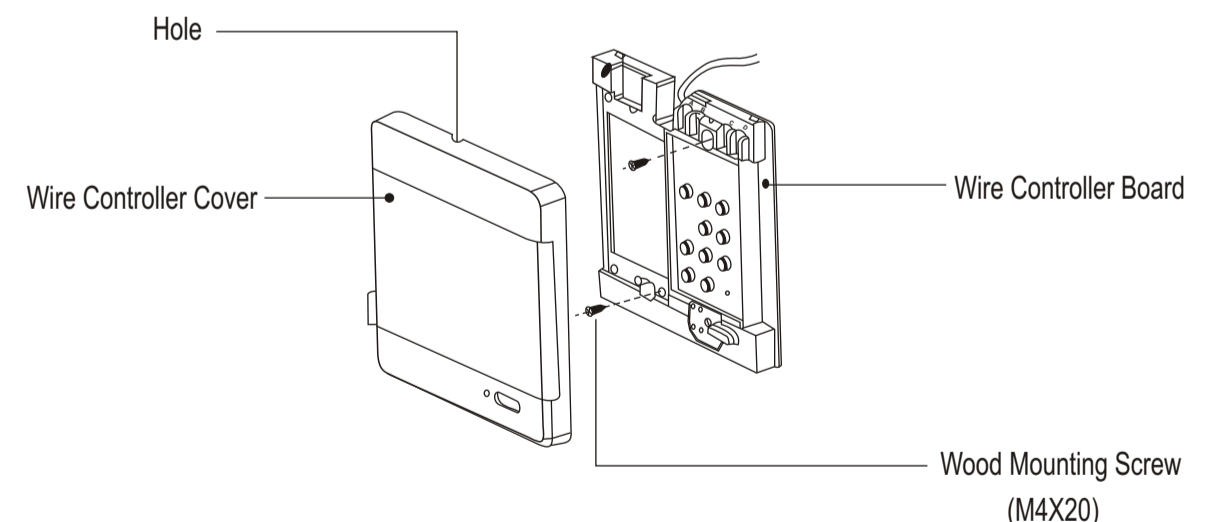


NOTE

- Never turn screws too tightly, or else the cover would be dented, or the Liquid Crystal breaks.
- Do not cut wires when installing Wire Controller cover.

• Installation on the wall

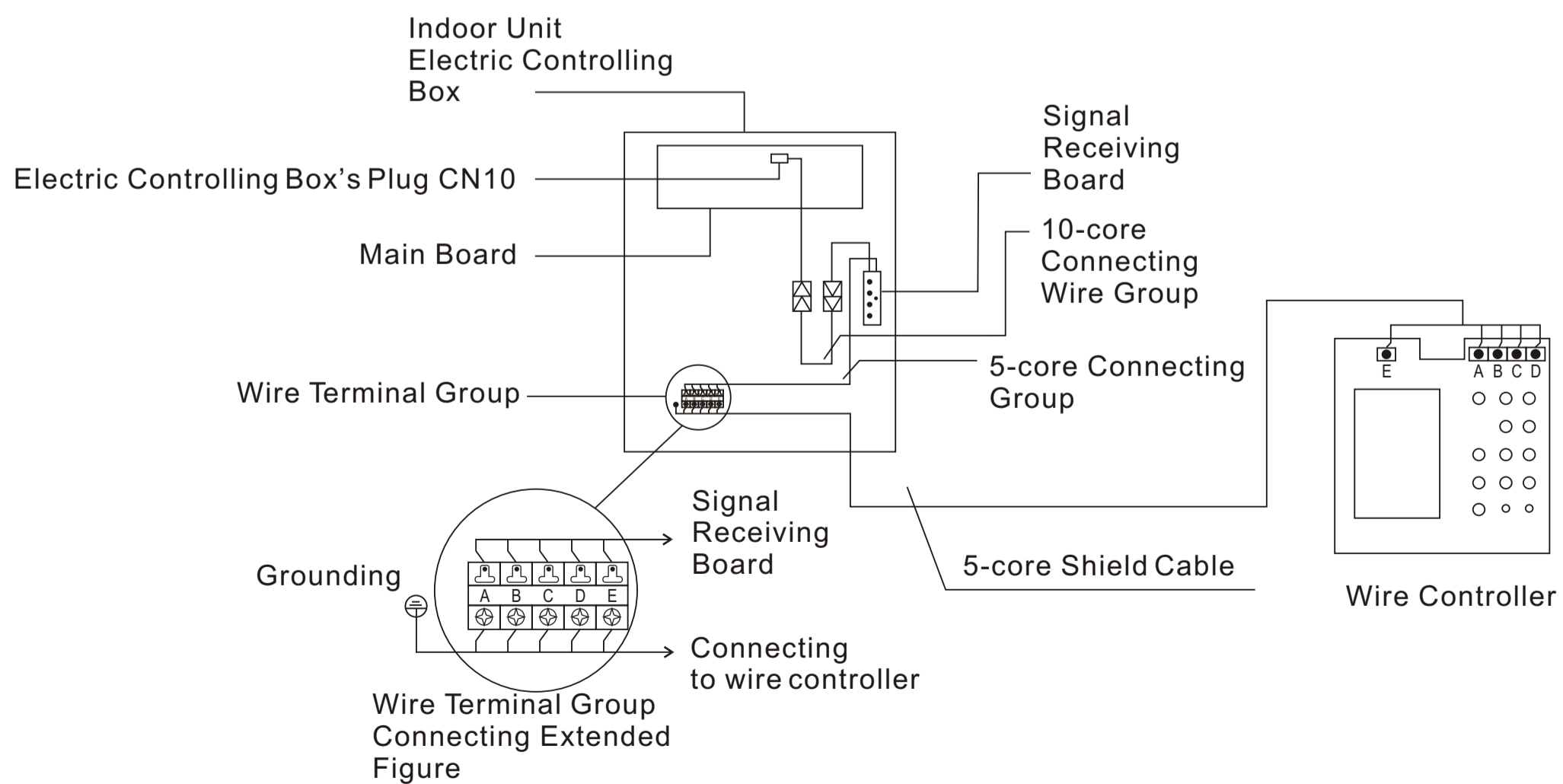
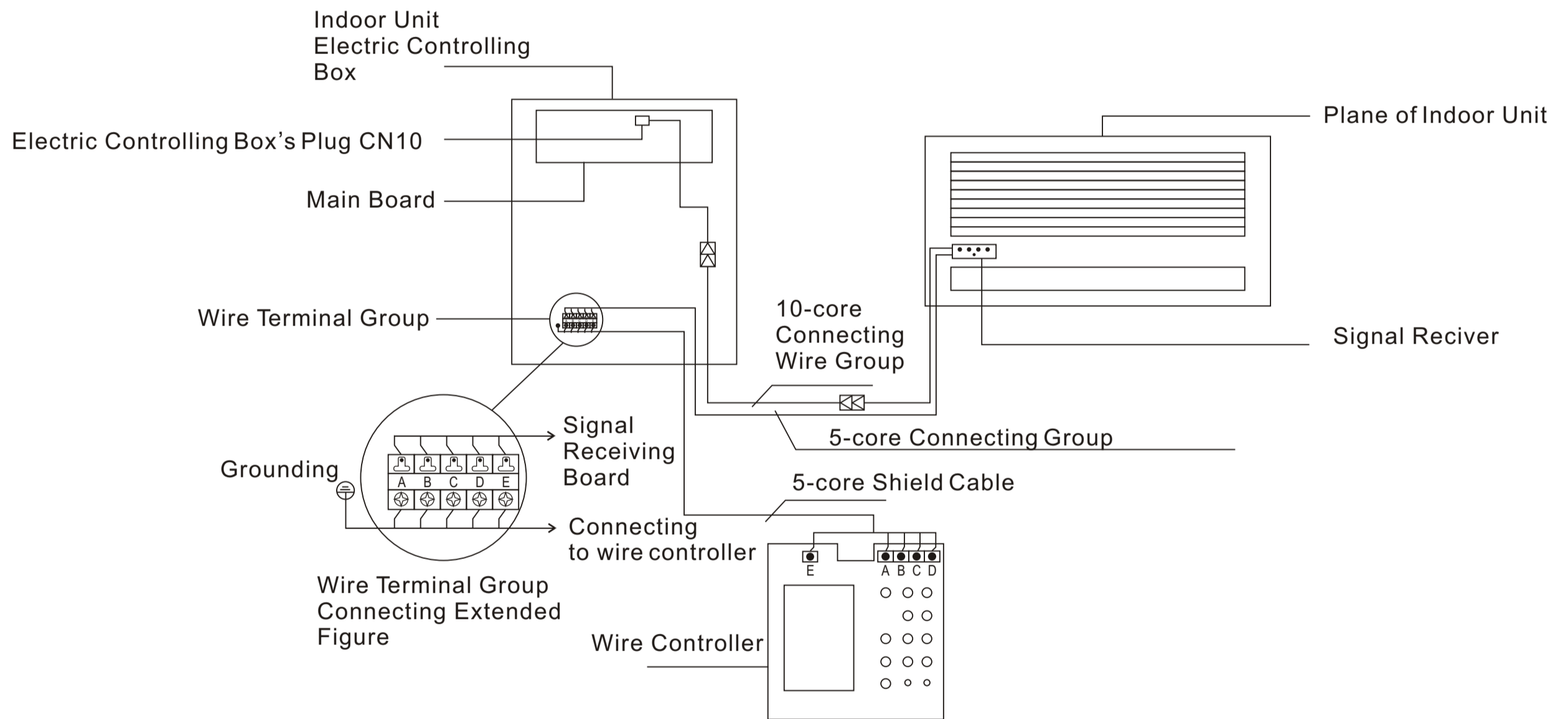
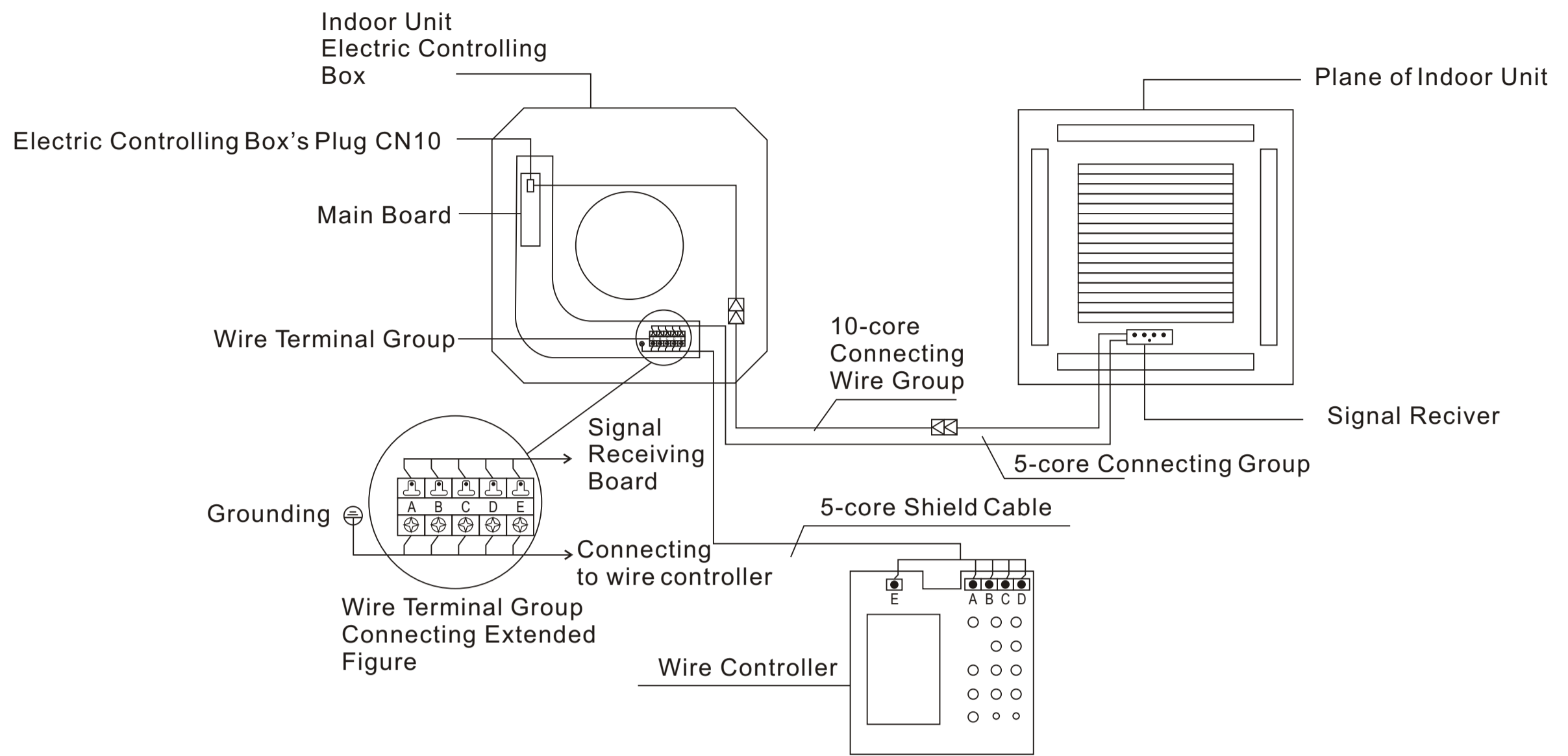
Cut a hole that can let a Three-cores Rubber Insulating Screen Cable pass by from the middle of Wire Controller Top Cover before installing.



Refer to Electrical Switch Box Installation above for other installation information you need. Use Clue around the Screen Cables and the Hole for sealing after installation completed.

NOTE

- Never turn screws too tightly, or else the cover would be dented or the Liquid Crystal breaks.
- Do not cut wires when installing Wire Controller Cover.
- Please leave enough long cable for maintenance of the Wire Controller Board.



INDOOR UNIT INSTALLATION

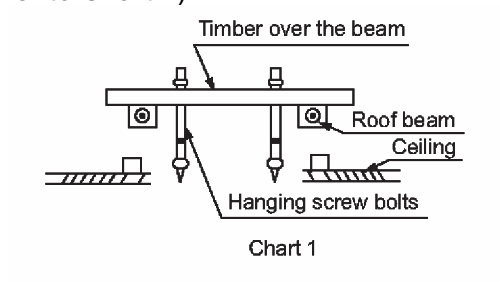
❖ Install the main body

Installing ϕ 10 hanging screw bolts. (4 bolts)

- Please refer to the following figure for the distance measurement between the screw bolts.
 - Please install with ϕ 10 hanging screw bolts.
 - The handling to the ceiling varies from the constructions, consult the construction personnels for the specific procedures.
1. The size of the ceiling to be handled do keep the ceiling flat. Consolidate the roof beam for possible vibration.
 2. Cut off the roof beam.
 3. Strengthen the place cut off, and consolidate the roof beam.
- Carry out the pipe and line operation in the ceiling after finishing the installation of the main body. While choosing where to start the operation, determine the direction of the pipes to be drawn out. Especially in case there is a ceiling, position the refrigerant pipes, drain pipes, indoor & outdoor lines to the connection places before hanging up the machine.
 - The installation of hanging screw bolts.

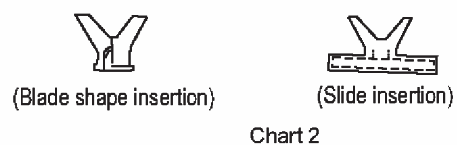
Wooden construction

Put the square timber transversely over the roof beam, then install the hanging screw bolts. (Refer to Chart 1)



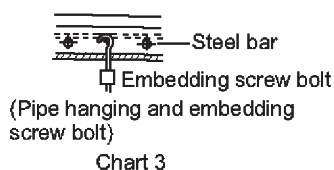
New concrete bricks

Inlaying or embedding the screw bolts. (Refer to Chart 2)



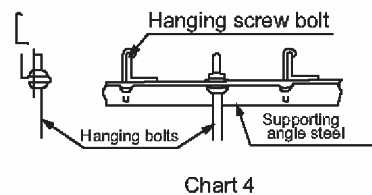
For Original concrete bricks

Use embedding screw bold, crock and stick harness. (Refer to Chart 3)



Steel roof beam structre

Install and use directly the supporting angl steel. (Refer to chart 4)



Overhanging the indoor unit

- (1) Overhang the indoor unit onto the hanging screw bolts with block.
- (2) Position the indoor unit in a flat level by using the level indicator, unless it may cause leakage.

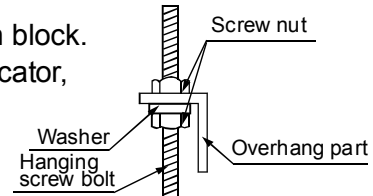


Chart 5

The positioning of ceiling hole and indoor unit and hanging screw bolts

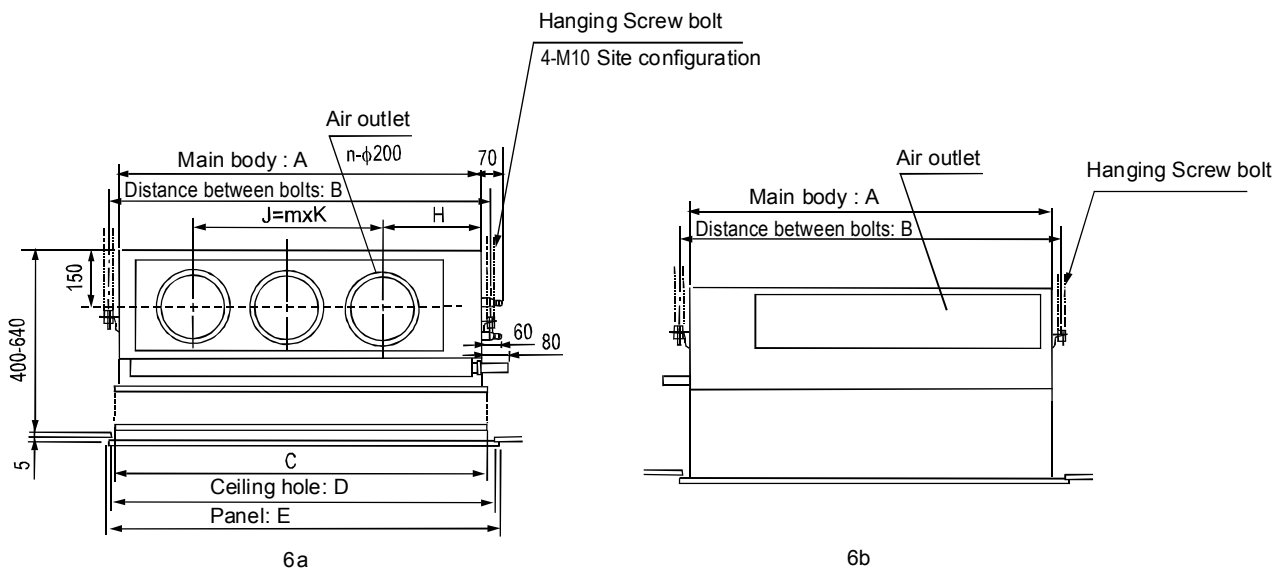
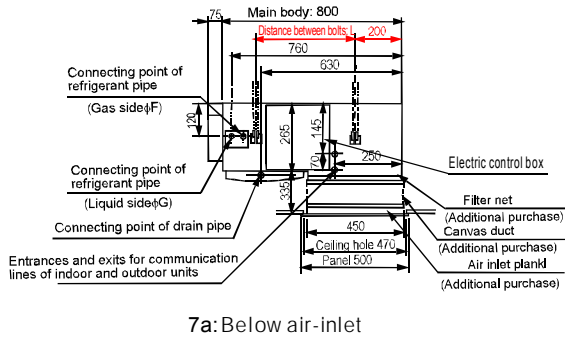
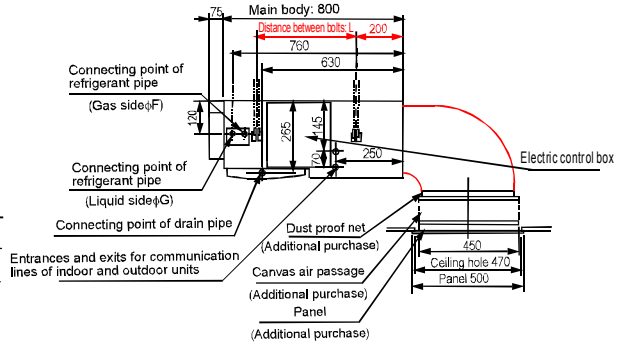


Chart 6

Install the main body



7a: Below air-inlet



7b: Back air-inlet

Chart 7

NOTICE!

Chart 7a and chart 7b are based on 40000Btu/h type, So, a little differences may exist on the outlook and functions from yours.

- When using a back-air installation, please refer to chart 8:

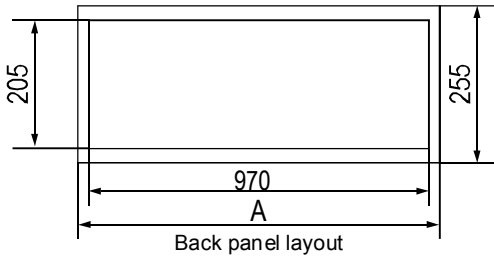
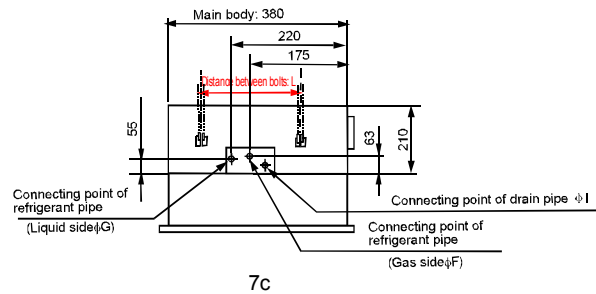


Chart 8



7c

- Please explain clearly when ordering if customers need air inlet box. And note it is below air inlet or back air-inlet.

Capacity (Btu/h)	A	B	C	D	E	F	G	H	I	J	K	L	m	n	Chart
9000~18000	874	910	—	—	—	19	9.53	—	25	—	—	260	—	—	6b&7c
24000	1000	1052	1112	1085	1470	19	9.53	252	24.5	580	290	430	2	3	6a&7a,7b
	1000	1052	1112	1085	1470	19	9.53	—	24.5	—	—	430	—	—	
30000~48000	1350	1400	1380	1400	1430	19	9.53	252	35	930	310	430	3	4	
	1350	1400	1380	1400	1430	19	9.53	—	35	—	—	430	—	—	

Panel installation

1. Unload inner frame.

- Slide the knob, release the buckle from the outside frame hole, then unload the inner frame.

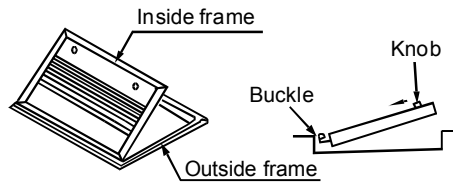


Chart 10

2. Hang the outside frame on the main body with face down. (4 places at 4 corners).

- Hang the belt on the hook of the main body.

Note : The signal wire of the remote control receiver must be drawn out through the canvas air passage.

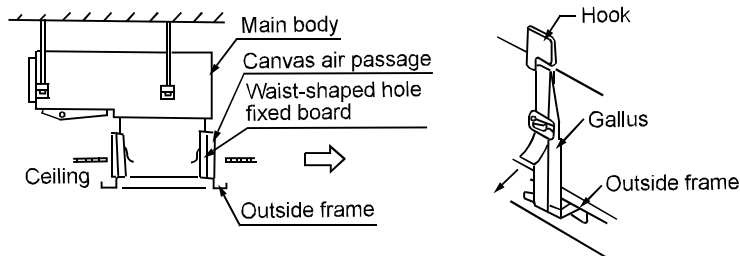


Chart 11

3. Fix the outside frame and the canvas air passage with screws.

- Screw must be fixed on from the bottom to the top.

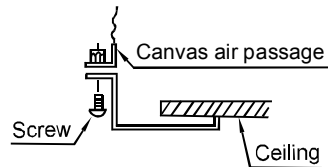


Chart 12

4. Hang up the outside frame until it sticks to the ceiling tightly.

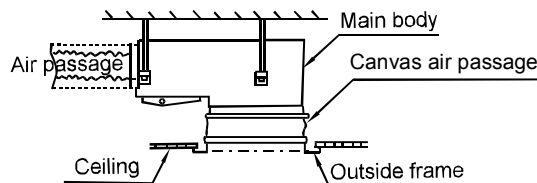


Chart 13

5. Fix the main body and the outside frame with the fix board of waist-shape hole (in two places).

- Hang one side of the fix board of the waist-shaped hole on the hook of the main body.
- Tighten the other side of the board with screw to the outside frame.
- Cut off the surplus part of the board with pliers.
- Bend the top of the broken end.

Note : when hanging up the outside frame with the fix board of waist-shaped hole and the belt, stick the outside frame tightly to the ceiling and fix it.

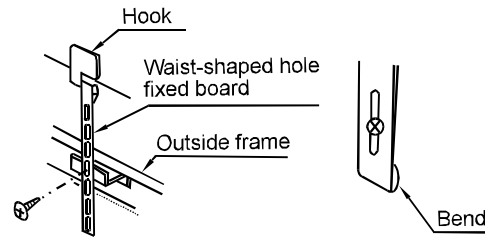


Chart 14

6. Install the inner frame on the outside frame (the inverse sequence of unloading the inner frame).

Note: Connect the remote control receiver with the indoor unit signal wires and fix it.

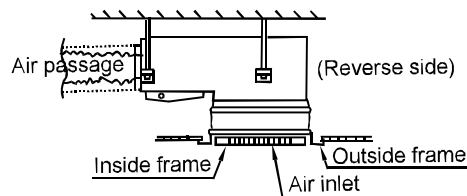


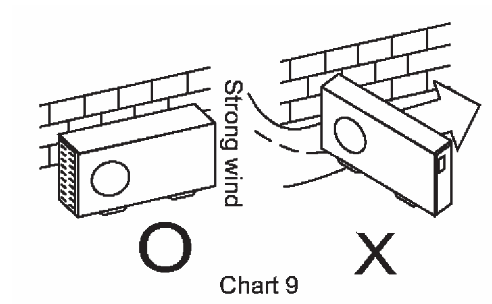
Chart 15

7. Install remote controller.

OUTDOOR UNIT INSTALLATION

Cautions

- Keep this unit away from direct radiation of the sun or other heaters. If unavoidable, please cover it with a shelter.
- In places near coast or with a high attitude where the wind is strong, please install the outdoor unit against the wall to ensure normal performance.
- Use a baffle when necessary.
- In the case of extremely strong wind, please prevent the air from flowing backwards into the outdoor unit. (Refer to chart 9)
- Locate the outdoor unit as close to the indoor unit as possible. The minimum distance between the outdoor unit and obstacles described in the installation chart does not mean that the same is applicable to the situation of an airtight. Leave open two of three directions A, B, C.

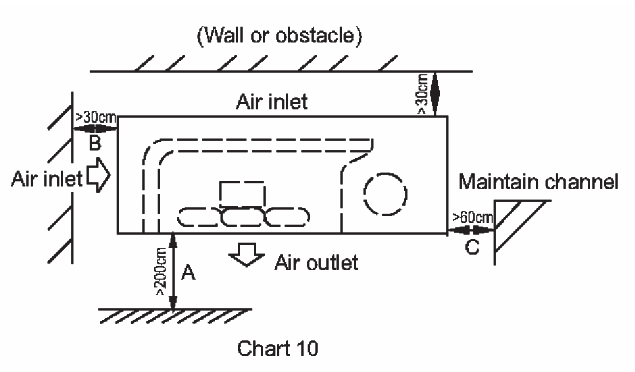


Necessary Room For Installation And Maintenance (Refer to Chart 10)

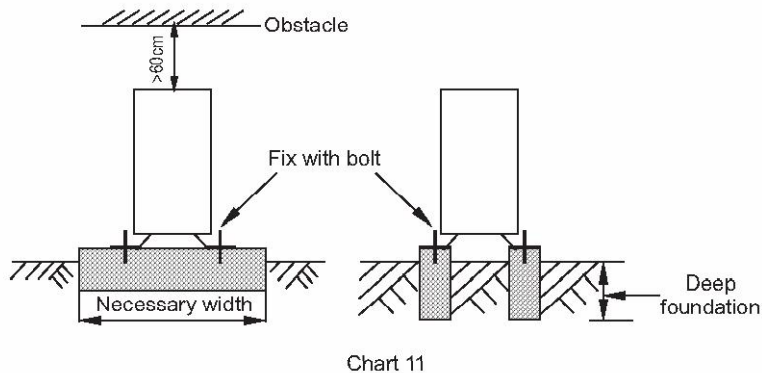
If possible, please remove the obstacles nearby to prevent the performance from being impeded by too little of air circulation. Leave open two of the three directions (A,B,C).

Moving And Installing

- Since the gravity center of this unit is not at its physical center, so please be careful when lifting it with a sling.
- Never hold the air-in of the outdoor unit to prevent it from deforming.
- Do not touch the fan with hands or other objects.
- Do not lean it more than 45°, and do not lay it sidelong.



- Please fasten the feet of this unit with bolts firmly to prevent it from collapsing in case of earthquake or strong wind.
- Make concrete foundation. (Refer to chart 11)



INSTALL THE CONNECTING PIPE

Check whether the height drop between the indoor unit and outdoor unit, the length of refrigerant pipe, and the number of the bends meet the following requirements:

The max height drop 10m

(If the height drop is more than 10m, you had better put the outdoor unit over above the indoor unit.)

The length of refrigerant pipeless than 30m/size 48 less than 50m

The number of bendsless than 10

- Do not let air, dust, or other impurities fall in the pipe system during the time of installation.
- The connecting pipe should not be installed until the indoor and outdoor units have been fixed already.
- Keep the connecting pipe dry, and do not let moisture in during installation.

The Procedure of Connecting Pipes

1. Measure the necessary length of the connecting pipe, and make it by the following way.

1) Connect the indoor unit at first, then the outdoor unit.

- Bend the tubing in proper way. Don't harm them.

Cautions

- Daub the surfaces of the flare pipe and the joint nuts with frozen oil, and wrench it for 3~4 rounds with hands before fasten the flare nuts. (Refer to chart 12)
- Be sure to use two wrenches simultaneously when you connect or disconnect the pipes.

2) The stop valve of the outdoor unit should be closed absolutely (as original state). Every time you connect it, first loosen the nuts at the part of stop valve, then connect the flare pipe immediately (in 5 minutes). If the nuts have been loosened for a long time, dusts and other impurities may enter the pipe system and may cause malfunction later. So please expel the air out of the pipe with refrigerant (R407c) before connection.

3) Expel the air (refer to the Expel The Air) after connecting the refrigerant pipe with the indoor unit and the outdoor unit.
Then fasten the nuts at the repair-points.

■ Notices For Bendable pipe.

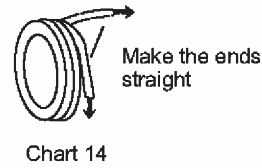
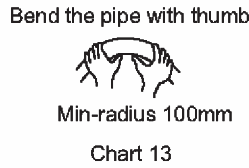
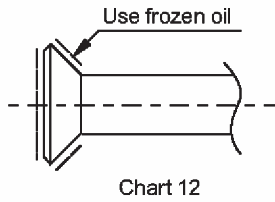
- The bending angle should not exceed 90°C
- Bending position is preferably in the bendable pipe. The larger the better it is.
- Do not bend the pipe more than three times.

■ Bend the connecting pipe of small wall thickness.

- Cut out a desired concave at the bending part of the insulating pipe.
- Then expose the pipe (cover it with tapes after bending).
- To prevent collapsing of deforming, please bend the pipe at its biggest radius.
- Use bender to get a small radius pipes.

■ Use the market brass pipe.

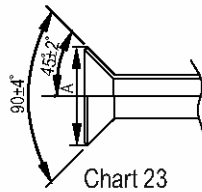
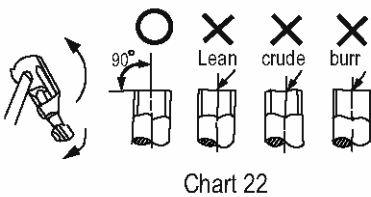
Be sure to use the same insulating materials when you buy the brass pipe. (More than 9mm thick)



2. Locate The Pipe

- 1) Drill a hole in the wall (suitable just for the size of the wall conduit, 90mm in general), then set on the fittings such as the wall conduit and its cover.
 - 2) Bind the connecting pipe and the cables together tightly with binding tapes. Do not let air in, which will cause water leakage by condensation.
 - 3) Pass the bound connecting pipe through the wall conduit from outside. Be careful of the pipe allocation to do no damage to the tubing.
3. Connect the pipes.
4. Then, open the stem of stop valves of the outdoor unit to make the refrigerant pipe connecting the indoor unit with the outdoor unit fluently flow.
 5. Be sure of no leakage by checking it with leak detector or soap water.
 6. Cover the joint of the connecting pipe to the indoor unit with the soundproof/insulating sheath (fittings), and bind it well with the tapes to prevent leakage.

Flaring

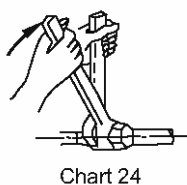


1. Cut a pipe with a pipe cutter.
2. Insert a flare nut into a pipe and flare the pipe.

Outside-diameter (mm)	A(mm)	
	Max	Min
6.35	8.3	8.3
9.53	12.4	12.0
12.7	15.8	15.4
16	19.0	18.6
19	23.3	22.9

Fasten the nuts

- Put the connecting tubing at the proper position, wrench the nuts with hands, then fasten it with a wrench. (Refer to Chart24)



CAUTION

Too large torque will harm the bellmouthing and too small will cause leakage. Please determine the torque according to Table 2.

Tubing Size	Torque
6.35	1420~1720 N · cm (144~176kgf · cm)
9.53	3270~3990 N · cm (333~407kgf · cm)
12.7	4950~6030 N · cm (504~616kgf · cm)
16	6180~7540 N · cm (630~770kgf · cm)
19	9720~11860 N · cm (990~1210kgf · cm)

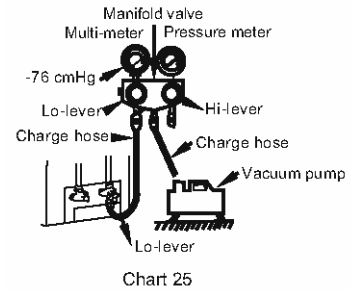
Table 2

(kg)

Expel the air with a vacuum pump

(Please refer to its manual for the way of using manifold value.)

- Loosen and remove the maintenance nuts of stop values A and B, and connect the charge hose of the manifold value with the maintenance terminator of stop value A. (Be sure that stop values A and B are both closed)
- Connect the joint of the charge hose with the vacuum pump.
- Open the Lo-lever of the manifold value completely.
- Turn on the vacuum pump. At the beginning of pumping, loosen the maintenance terminator nut of stop value B a little to check whether the air comes in (the sound of the pump changes, and the indicator of compound meter turns below zero). Then fasten the nut.
- When the pumping has finished, close the Lo-lever of the manifold value completely and turn off the vacuum pump.
 - When you have pumped for over 15 minutes, please confirm that the indicator of multi-meter is on 1.0×10^{-5} Pa(-76cmHg).
- Loosen and remove the quadrangle cover of stop values A and B to open stop value A and B completely, then fasten them.
- Disassemble the charge hose from the repair-mouth of stop value A, and fasten the nut.



CAUTIONS

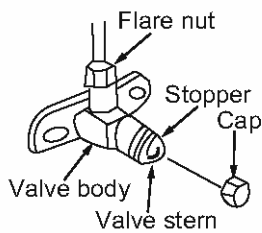


Chart 26

All the stop values should be opened before test operation. Each air conditioner has two stop values of different sizes on the side of the outdoor unit which operate as Lo-stop value and Hi-stop value, respectively. (Refer to Chart 26)

CHECK THE LEAKAGE

Check all the joints with the leak detector or soap water. (refer to Chart 29)

NOTE: in the chart

- A Lo-stop value
- B Hi-stop value
- C,D Joints of the connecting pipe to the indoor unit.

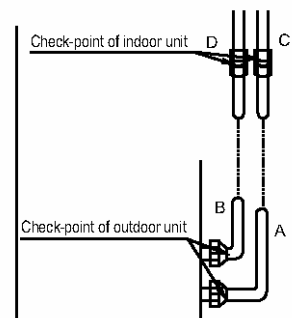


Chart 27

INSULATION

- Be sure to with insulating materials cover all the exposed parts of the flare pipe joints and refrigerant pipe on the liquid-side and the gas-side. Ensure that there is no gap between them.
- Incomplete insulation may cause water condensation.

(3) Additional charge

When the length of the one-way pipe is less than 5 m, additional refrigerant charge after vacuuming is not necessary.

When the length of one-way pipe is over 8m, the quantity to be added is as follows (unit in gram):

Connective pipe length	Air purging method	Additional amount of refrigerant to be charged
Less than 8m	Use refrigerant of outdoor unit	
Over 8m	Use vacuum pump or refrigerant cylinder	30g(length-5m) (capacity≤20000btu/h.) 65g(length-5m) (capacity≥24000btu/h.)

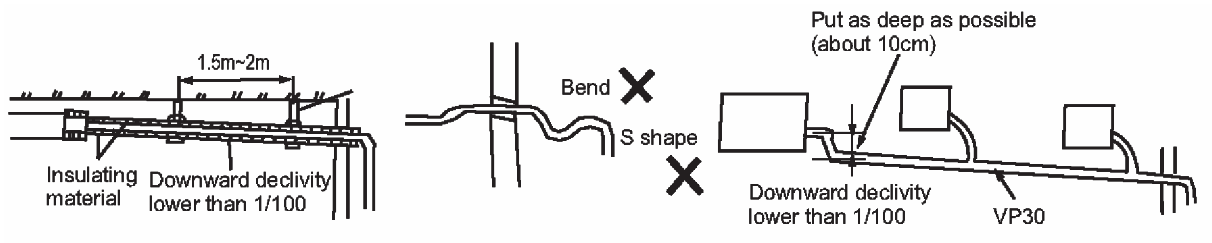
CONNECT THE DRAIN PIPE

1. Install indoor unit drain pipe

The outlet has **PTI** screw thread, Please use sealing materials and pipe sheath (fitting) when connecting PVC pipes.

CAUTIONS

- The drain pipe of indoor unit must be heat insulated, or it will condense dew, as well as the connections of the indoor unit.
- Hard PVC binder must be used for pipe connection, and make sure there is no leakage.
- With the connection part to the indoor unit, please be noted not to impose pressure on the side of indoor unit pipes.
- When the declivity of the drain pipe downwards is over 1/100, there should not be any winding.
- The total length of the drain pipe when pulled out transversely shall not exceed 20m, when the pipe is over long, a prop stand must be installed to prevent winding.
- Refer to the figures on the right for the installation of the pipes.



2. Drainage test

- Check whether the drainpipe is unhindered
- New built house should have this test done before paving the ceiling.

3. Drain Elbow Installation (Cooling Only Type Without)

Fit the seal into the drain elbow, then insert the drain elbow into the base pan hole of outdoor unit, rotate 90° to securely assemble them. Connect the drain elbow with an extension drain hose (Locally purchased), in case of the condensate draining off the outdoor unit during the heating mode. (Refer to Chart 21)

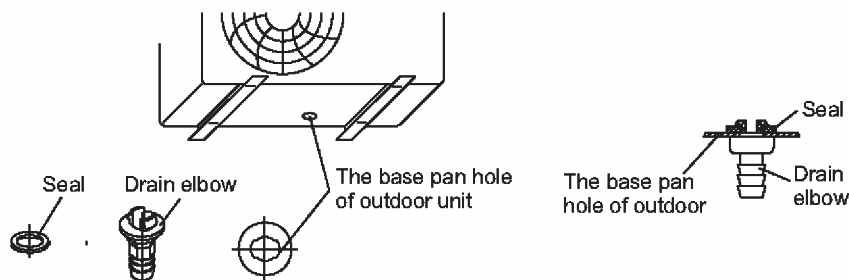


Chart 21

WIRING

■ **Attaching wiring**

1. The air conditioner should use separate power supply with rated voltage
2. The external power supply to the air conditioner should have ground wiring, which is linked to the ground wiring of the indoor and outdoor unit.
3. The wiring work should be done by qualified persons according to circuit drawing.
4. A leakage protector should be installed according to the National Standard concerning electrical appliance.
5. Be sure to locate the power wiring and the signal wiring well to avoid cross-disturbance and their contact with connecting pipe or stop valve body.
6. The wiring attached to this air conditioner is 10m long. Be sure to prolong it with wiring of the same type and proper length if necessary. Generally, do not twist two wiring together unless the joint is soldered well and covered with insulator tape.
7. Do not turn on the power until you have checked carefully after wiring.



■ The Specification of Power

TYPE		18000 Btu/h (For R407C, R410A and R22, heating&cooling)	24000 Btu/h (For R407C, R410A and R22, heating&cooling)	24000-30000 Btu/h (For R407C heating&cooling) 24000 Btu/h (For R410A heating&cooling)
POWER	PHASE	1-PHASE	1-PHASE	3-PHASE
	FREQUENCY AND VOLT	220-240V~, 50Hz	220-240V~, 50Hz	380V 3N~, 50Hz
CIRCUIT BREAKER/FUSE (A)		40/25	40/25	20/15
INDOOR UNIT POWER WIRING(mm ²)		3x2.0	3x2.5	5x1.5
INDOOR/OUTDOOR CONNECTING WIRING (mm ²)	GROUND WIRING	2.0	2.5	1.5
	OUTDOOR UNIT POWER WIRING	—	3x2.5	5x1.5
	STRONG ELECTRIC SIGNAL	5X2.0	3X1.0	5X1.0
	WEAK ELECTRIC SIGNAL	1-core shield wire 1x0.5mm ²	1-core shield wire 1x0.5mm ²	2-core shield wire 2x0.5

TYPE		30000-36000 Btu/h (For R407C and R410A, heating&cooling)	36000-48000 Btu/h (For R407C and R22, heating&cooling) 30000-48000 Btu/h (For R410A heating&cooling)	9000 Btu/h (For R407C and R410A, cooling only)	12000 Btu/h&18000 Btu/h (For R407C and R410A, cooling only)
POWER	PHASE	1-PHASE	3-PHASE	1-PHASE	1-PHASE
	FREQUENCY AND VOLT	220-240V~, 50Hz	380V 3N~, 50Hz	220-240V~, 50Hz	220-240V~, 50Hz
CIRCUIT BREAKER/FUSE (A)		40/25	20/15	40/25	40/25
INDOOR UNIT POWER WIRING(mm ²)		3x3.5	5x2.5	3x2.0	3x2.0
INDOOR/OUTDOOR CONNECTING WIRING (mm ²)	GROUND WIRING	3.5	2.5	2.0	2.0
	OUTDOOR UNIT POWER WIRING	3x3.5	5x2.5	—	—
	STRONG ELECTRIC SIGNAL	3x2.5 3-core cable wire	3x1.0 3-core cable wire	3x2.5 3-core cable wire	3x2.5 3-core cable wire
	WEAK ELECTRIC SIGNAL	1-core shield wire 1x0.5	—	—	—

TYPE		24000-36000 Btu/h (For R407C and R410A, cooling only)	24000-30000 Btu/h (For R407C cooling only) 24000 Btu/h (For R410A cooling only)	36000-48000 Btu/h (For R407C cooling only) 30000-48000 Btu/h (For R410A cooling only)
POWER	PHASE	1-PHASE	3-PHASE	3-PHASE
	FREQUENCY AND VOLT	220-240V~, 50Hz	380V 3N~, 50Hz	380V 3N~, 50Hz
CIRCUIT BREAKER/FUSE (A)		40/20	25/16	25/16
INDOOR UNIT POWER WIRING(mm ²)		3x2.5	5x1.5	5x2.5
INDOOR/OUTDOOR CONNECTING WIRING (mm ²)	GROUND WIRING	2.5	1.5	2.5
	OUTDOOR UNIT POWER WIRING	3x2.5	5x1.5	5x2.5
	STRONG ELECTRIC SIGNAL	1x1.0 1-core cable wire	2x1.0 2-core cable wire	1x1.5 1-core cable wire
	WEAK ELECTRIC SIGNAL	—	2x0.5 2-core shield wire	—

Table 3

Caution:

A disconnection device having an air gap contact separation in all active conductors should be incorporated in the fixed wiring according to the National Wiring Regulation.

■ Wiring Chart

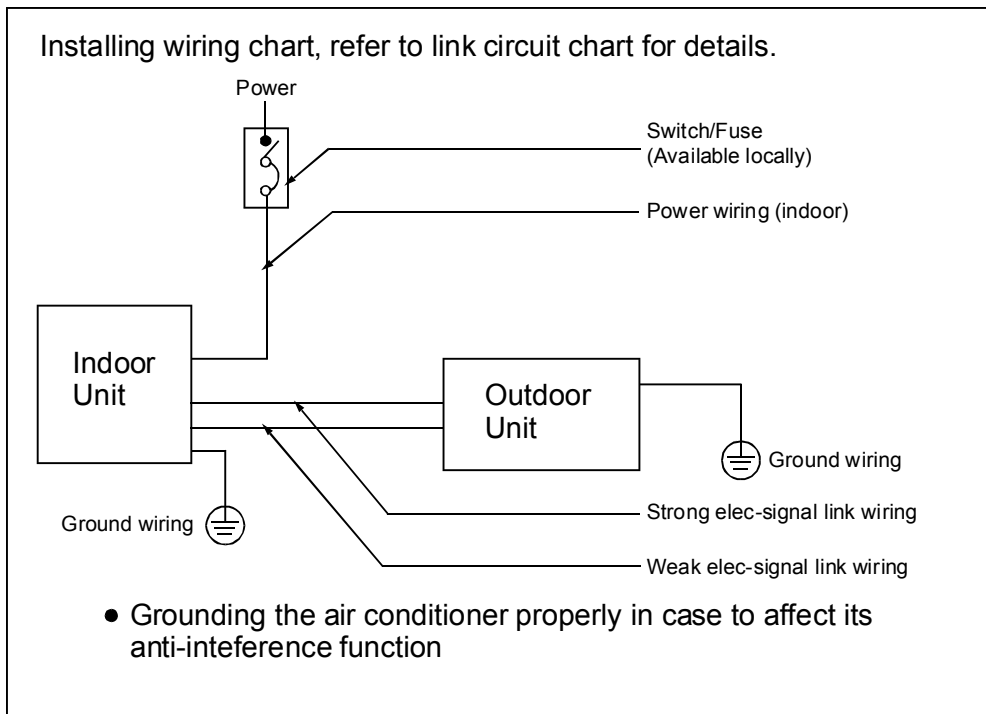


Chart 32

CAUTION: The wiring chart of both cooling only type and cooling& heating type in R407C, R410A and R22 series are shown as follows. When wiring, please choose the corresponding chart, or it may cause damage.

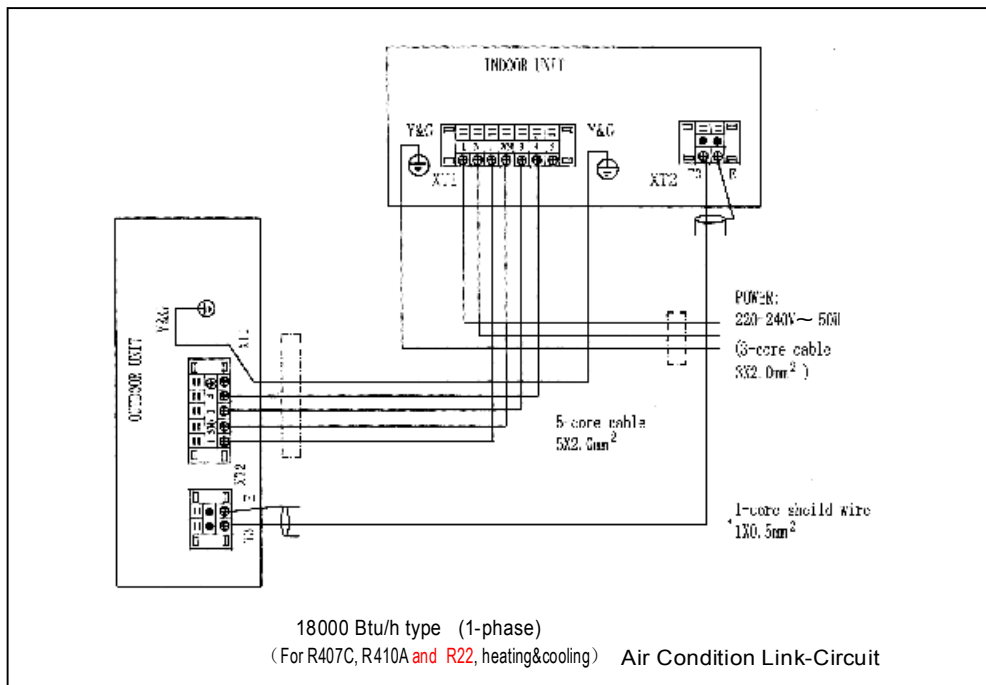


Chart 33

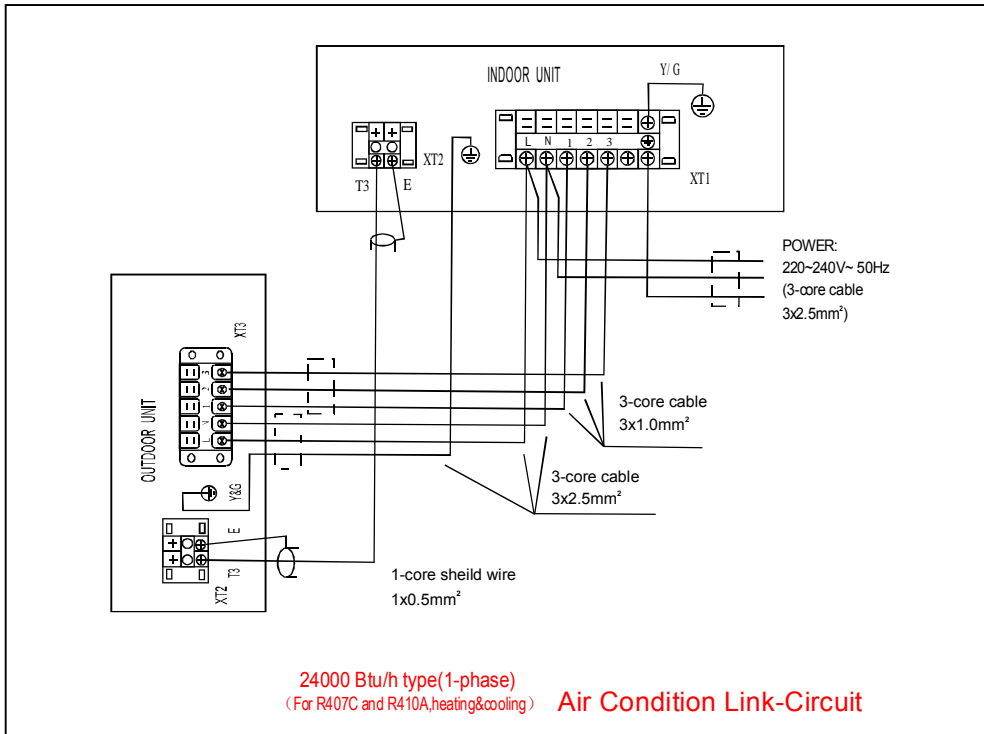


Chart 34

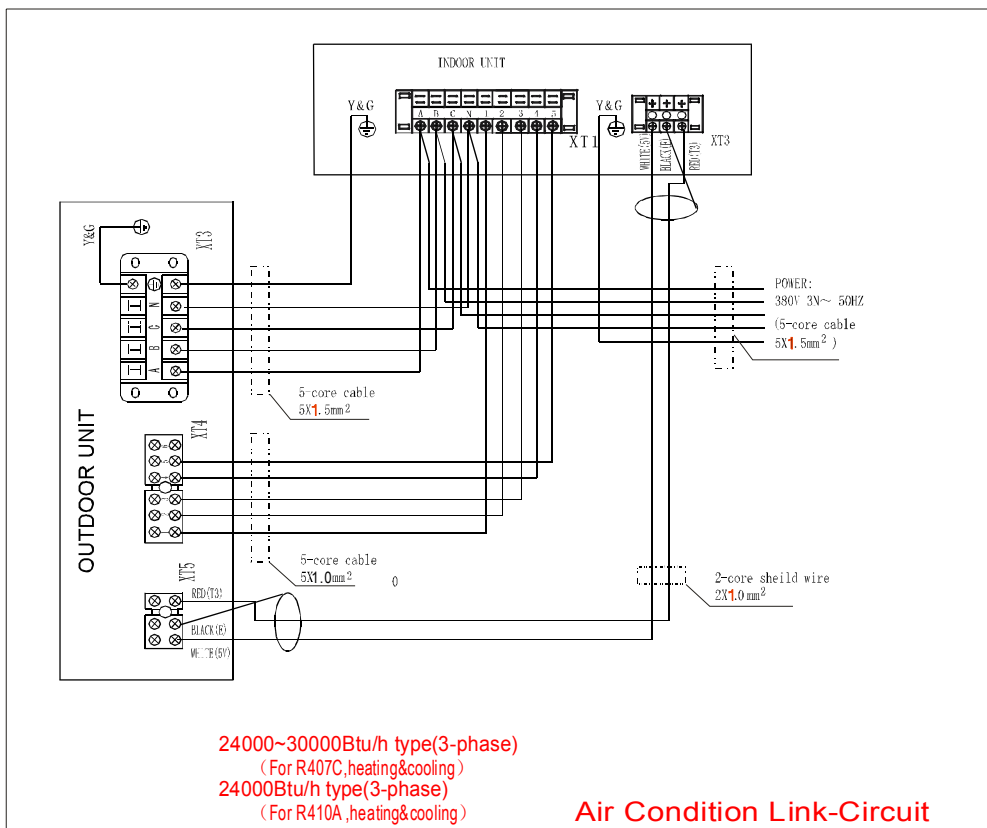


Chart 35

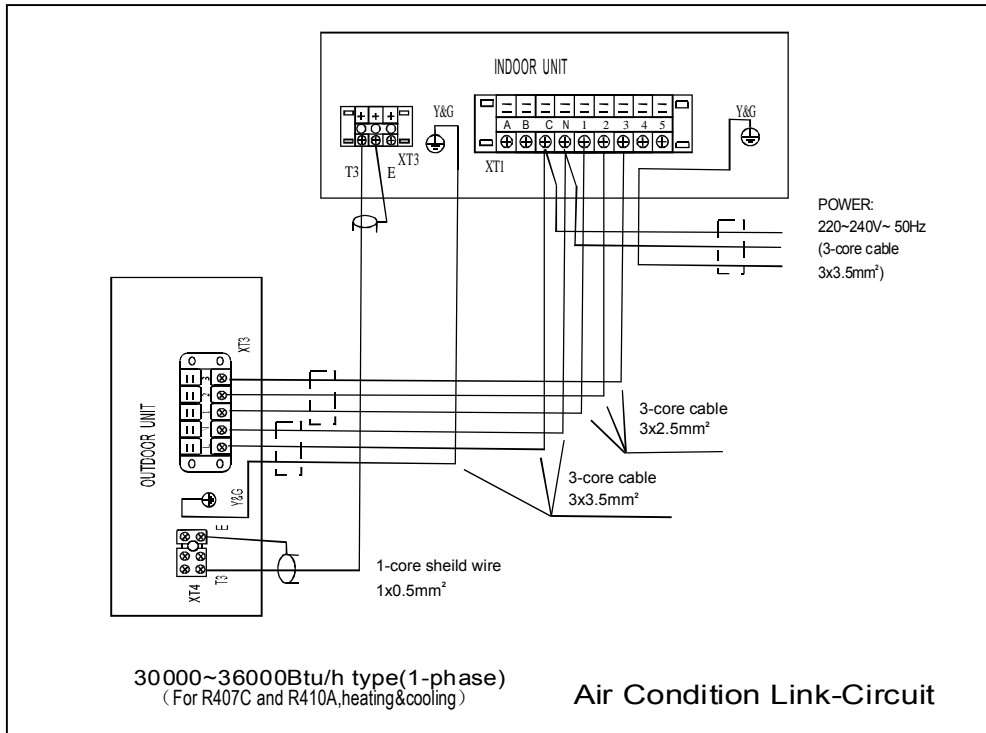


Chart 36

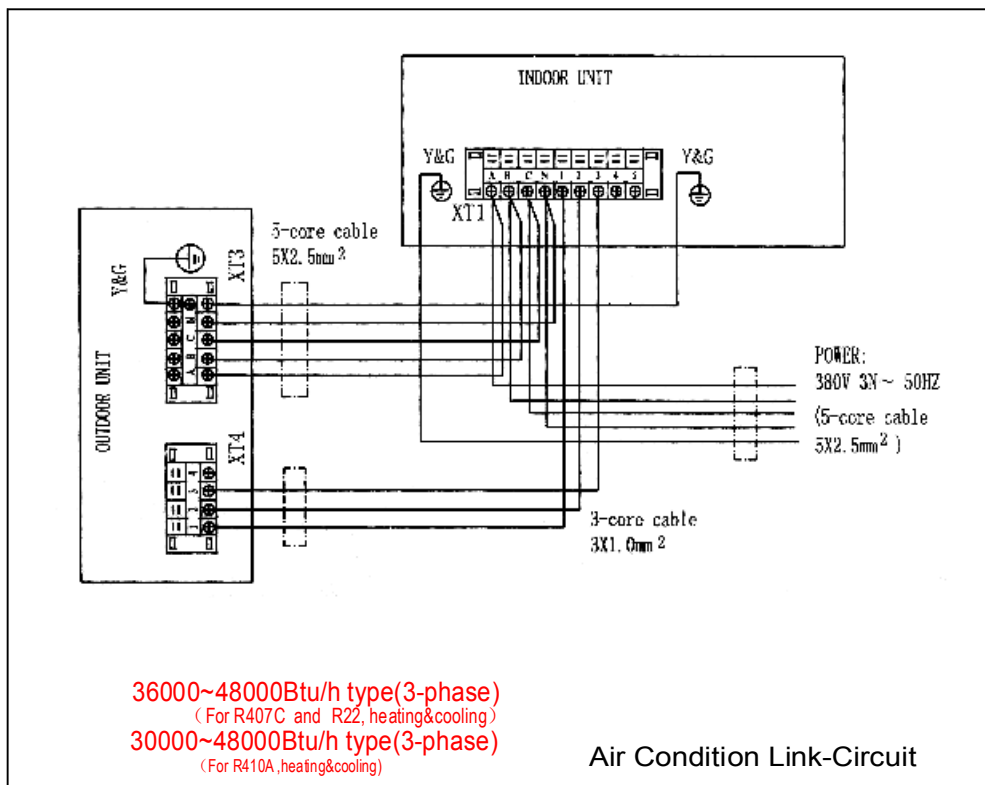


Chart 37

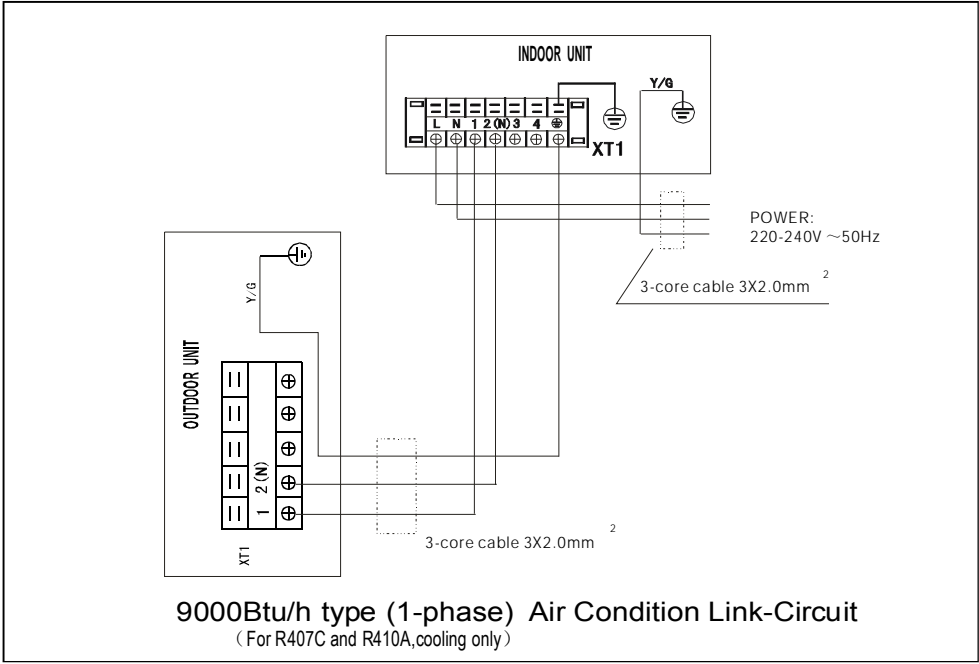


Chart 38

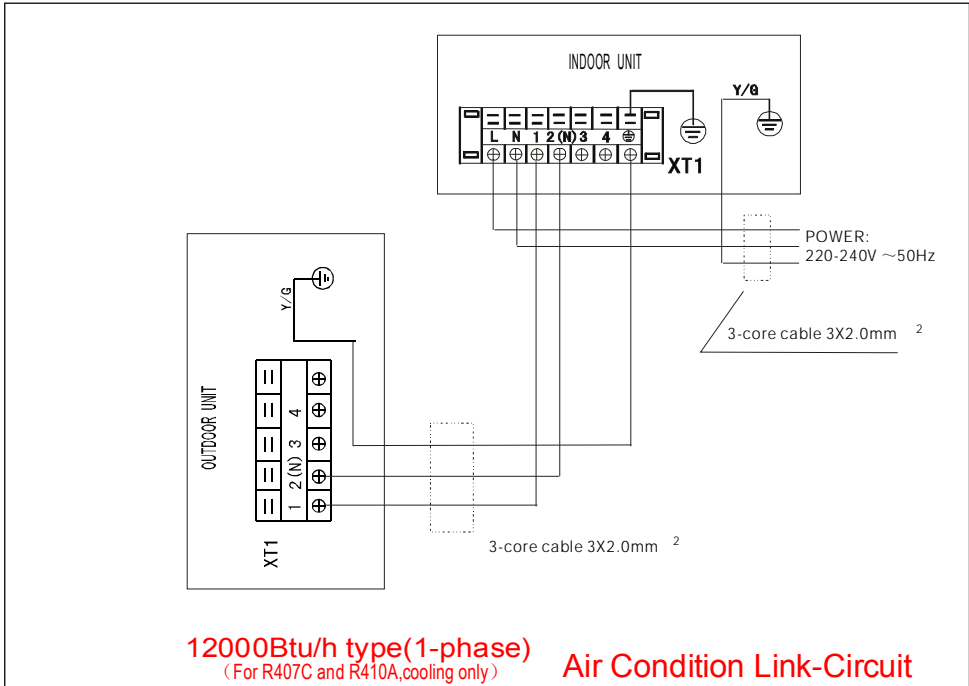


Chart 39

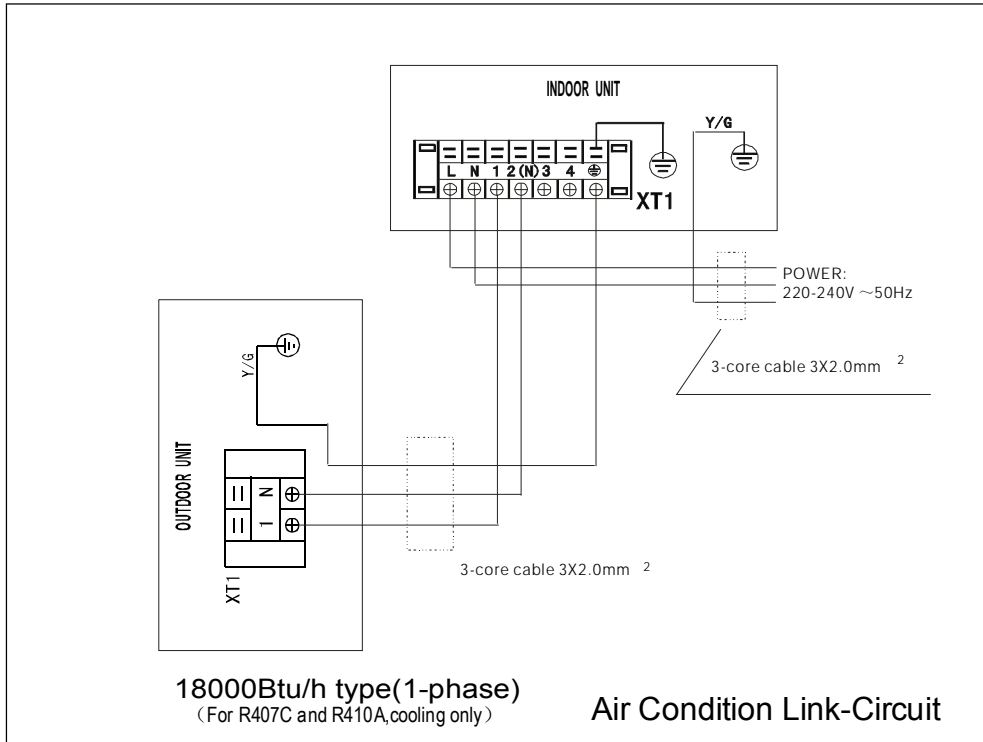


Chart 40

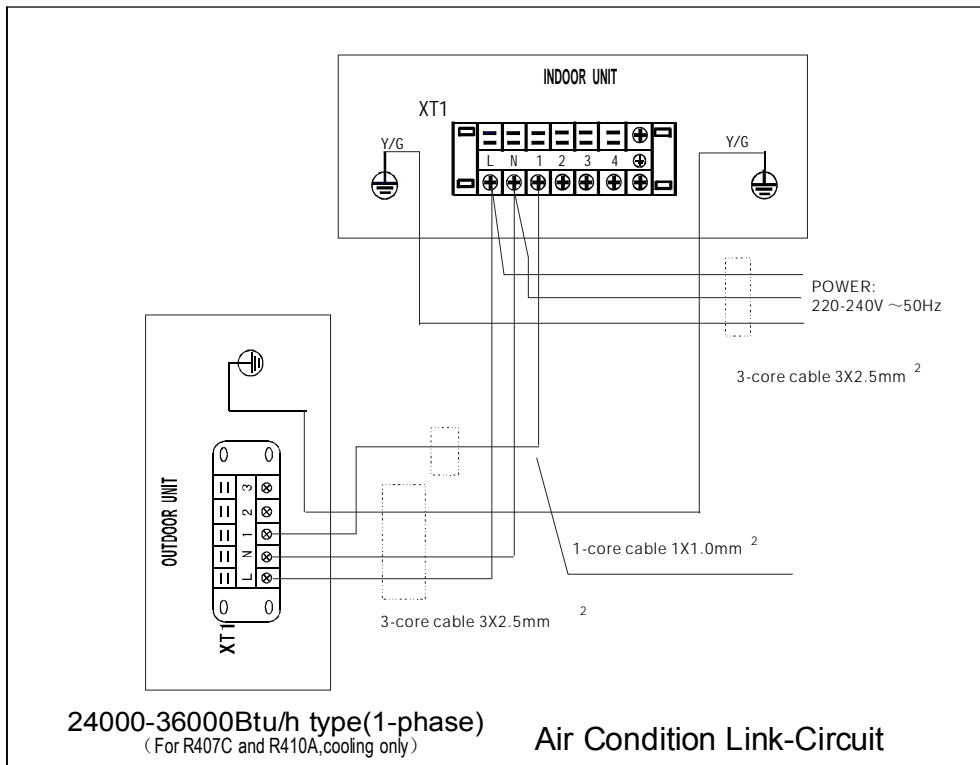


Chart 41

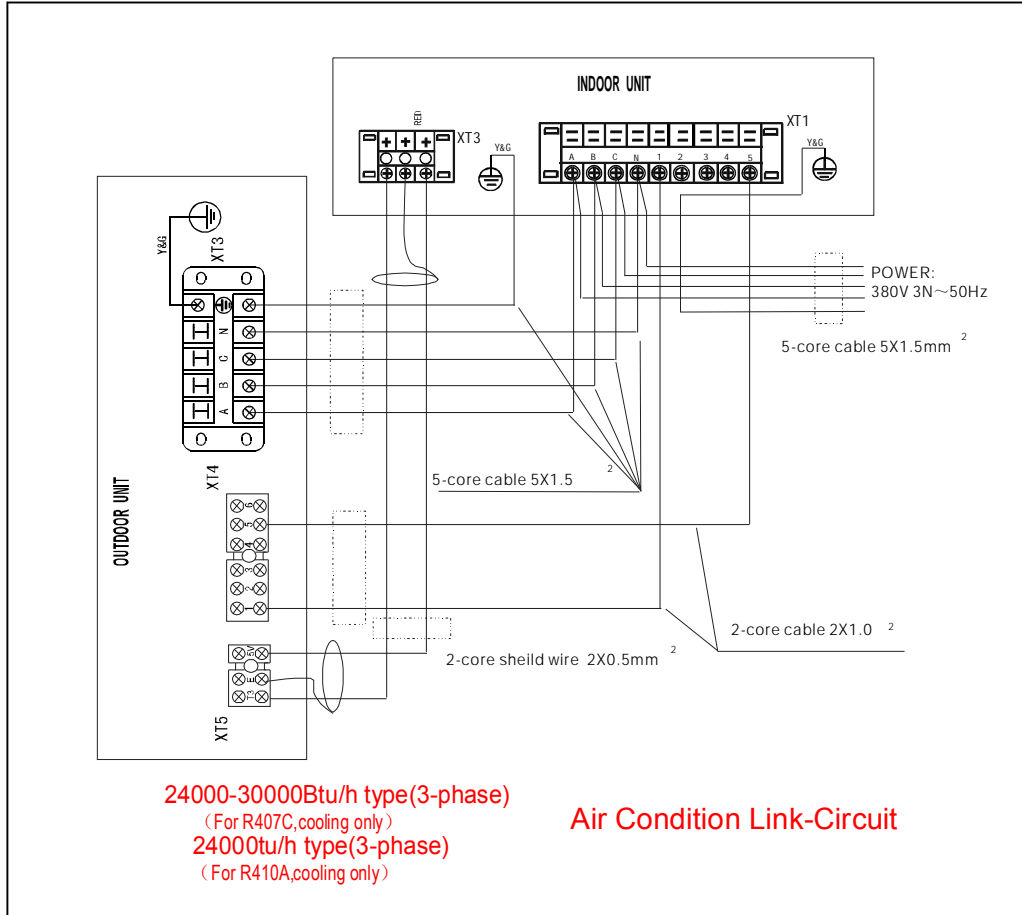


Chart 42

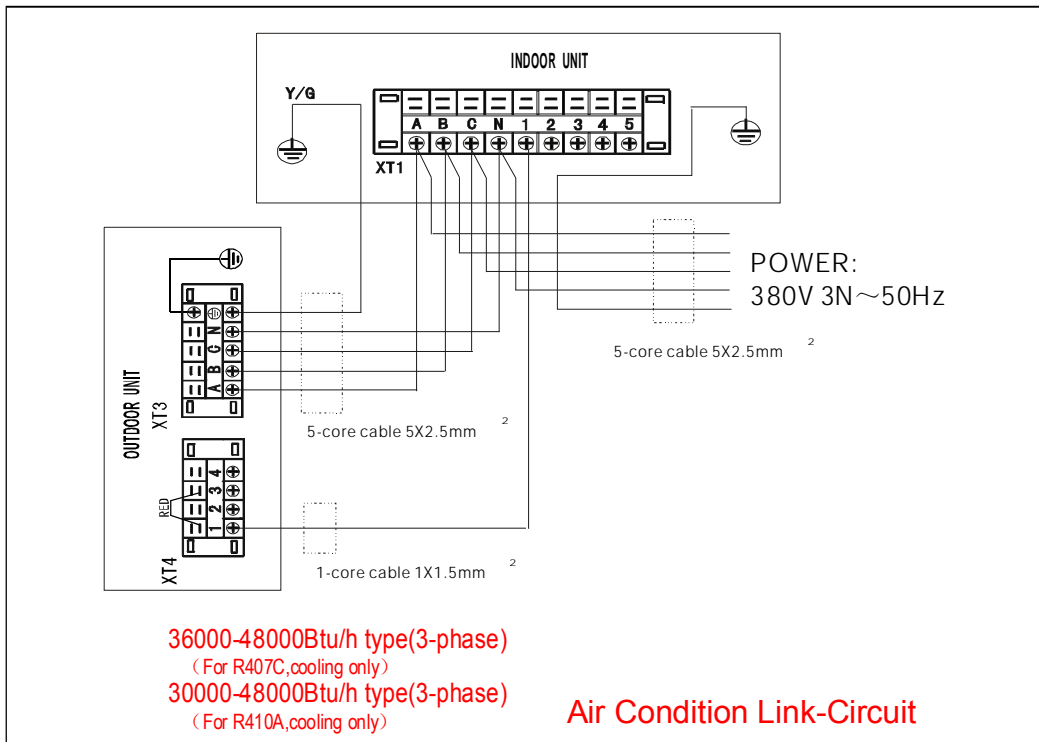


Chart 43

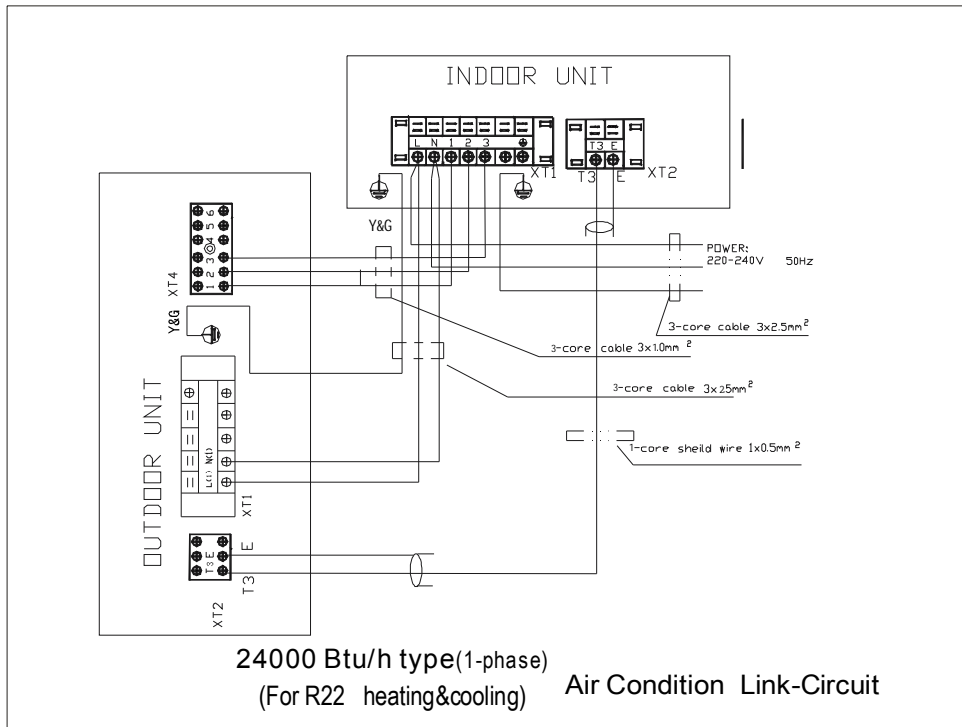


Chart 44

The Outdoor Units

Disassemble the bolts from the maintenance board, and pull it in the direction of the arrow to remove the protection board.

Notice: Do not scratch the surface during operation.

ATTENTION: Chart 45 is based on one type of outdoor units, which may look different from your own outdoor unit.

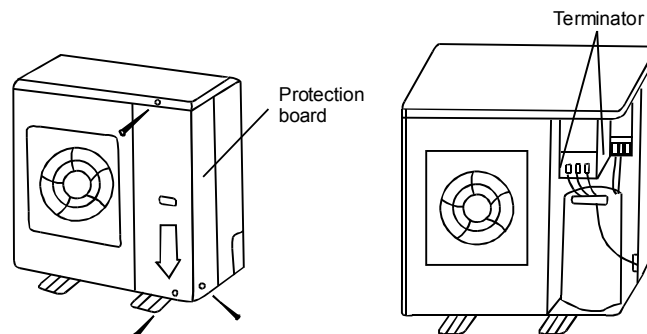


Chart 45



11. TEST OPERATION

1. The test operation must be carried out after the entire installation has been completed.
2. Please confirm the following points before the test operation:
 - The indoor unit and outdoor unit are installed properly.
 - Tubing and wiring are correctly completed.
 - The refrigerant pipe system is leakage-checked.
 - The drainage is unimpeded.
 - The heating insulation works well.
 - The ground wiring is connected correctly.
 - The length of the tubing and the added stow capacity of the refrigerant have been recorded.
 - The power voltage fits the rated voltage of the air conditioner.
 - There is no obstacle at the outlet and inlet of the outdoor and indoor units.
 - The gas-side and liquid-side stop valves are both opened.
 - The air conditioner is pre-heated by turning on the power.
3. According to the user's requirement, install the remote controller frame where the remote controller's signal can reach the indoor unit smoothly.
4. Test operation
 - Set the air conditioner under the mode of "COOLING" with the remote controller, and check the following points per the "Owner's Manual". If there is any malfunction, please resolve it as per chapter "Troubles And Cause" in the "Owner's Manual".
 - 1) The indoor unit
 - a. Whether the switch on the remote controller works well.
 - b. Whether the buttons on the remote controller works well.
 - c. Whether the air flow louver moves normally.
 - d. Whether the room temperature is adjusted well.
 - e. Whether the indicator lights normally.
 - f. Whether the temporary buttons works well.
 - g. Whether the drainage is normal.
 - h. Whether there is vibration or abnormal noise during operation.
 - i. Whether the air conditioner heats well in the case of the HEATING/COOLING type.
 - 2) The outdoor unit
 - a. Whether there is vibration or abnormal noise during operation.
 - b. Whether the generated wind, noise, or condensed of by the air conditioner have influenced your neighborhood.
 - c. Whether any of the refrigerant is leaked.

CAUTION

A protection feature prevents the air conditioner from being activated for approximately 3 minutes when it is restarted immediately after shut off.



www.lennox europe.com

BELGIUM, LUXEMBOURG
www.lennoxbelgium.com

CZECH REPUBLIC
www.lennox czech.com

FRANCE
www.lennoxfrance.com

GERMANY
www.lennox deutschland.com

NETHERLANDS
www.lennox nederland.com

POLAND
www.lennox polska.com

PORTUGAL
www.lennoxportugal.com

RUSSIA
www.lennoxrussia.com

SLOVAKIA
www.lennox distribution.com

SPAIN
www.lennoxspain.com

UKRAINE
www.lennoxukraine.com

UNITED KINGDOM AND IRELAND
www.lennoxuk.com

OTHER COUNTRIES
www.lennox distribution.com

Due to Lennox's ongoing commitment to quality, the Specifications, Ratings and Dimensions are subject to change without notice and without incurring liability.

Improper installation, adjustment, alteration, service or maintenance can cause property damage or personal injury.

Installation and service must be performed by a qualified installer and servicing agency.



DUCTAIR II-IOM-0708-E