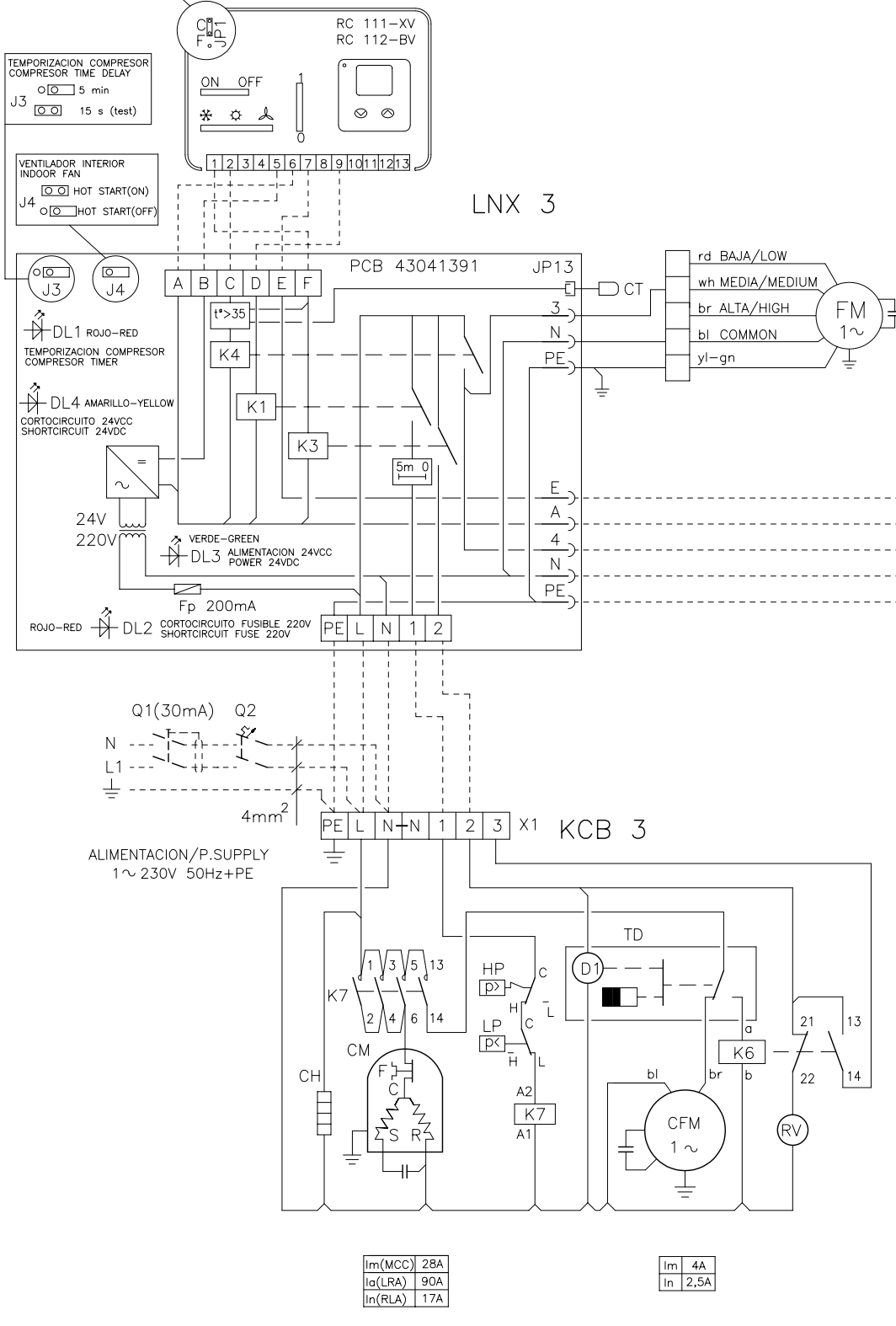


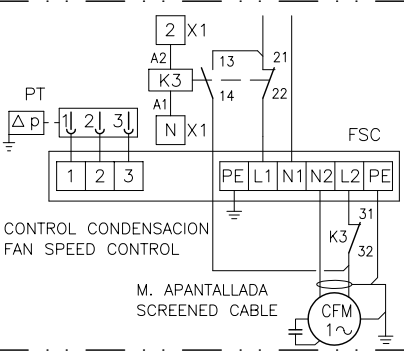
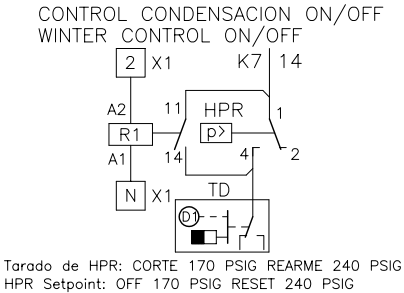
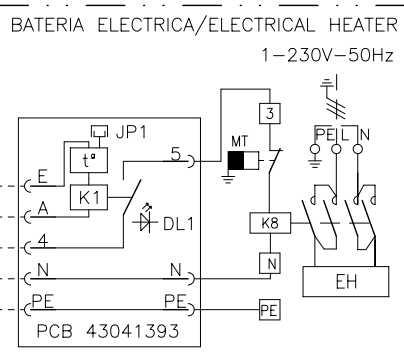
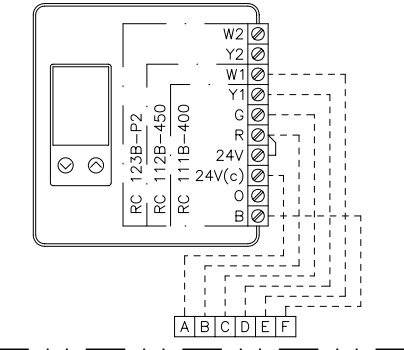
DUCTAIR – BOMBA DE CALOR / HEAT PUMP

PRECAUCION: JUMPER INTERNO JP1 SELECCIONA EL CICLO DE ACTIVACION DE LA VALVULA INVERSORA. C=CALOR / F=FRIO. JP1 DEBE ESTAR EN LA POSICION INDICADA EN ESQUEMA ELECTRICO. CAUTION: JUMPER JP1 SELECTS THE ACTIVATION CYCLE OF REVERSING VALVE. C=HEATING / F=COOLING. JP1 MUST BE POSITIONED AS INDICATED ON ELECTRICAL DIAGRAM.



- |     |                              |                          |         |                              |                                |
|-----|------------------------------|--------------------------|---------|------------------------------|--------------------------------|
| LNx | Unidad interior              | Indoor unit              | la(LRA) | Intensidad de arranque       | Starting current               |
| KCB | Unidad exterior              | Outdoor unit             | Im(MCC) | Intensidad máxima            | Maximum current                |
| CFM | Motor ventilador             | Condenser fan motor      | In(RLA) | Intensidad nominal (ARI)     | Rated current (ARI)            |
| CH  | Calentador de carter         | Crank case heater        | K       | Contactador                  | Contact                        |
| CM  | Motor compresor              | Compressor motor         | LP      | Presostato defecto carga KCB | Loss of charge pressostat KCB  |
| CT  | Temperatura batería interior | Indoor coil temperature  | MT      | Termostato de seguridad      | Security Thermostat            |
| EH  | Batería eléctrica OPCIONAL   | Electric Heater OPTIONAL | PCB     | Placa de circuito impreso    | Electronic control board       |
| F   | Protección térmica           | Thermal protection       | PT      | Transductor de presión       | Pressure transducer            |
| FM  | Motor ventilador interior    | Internal fan motor       | Q1      | Interruptor diferencial      | Ground safety switch           |
| FSC | Control de condensación      | Fan speed control        | Q2      | Interruptor magnetotérmico   | Circuit Breaker                |
| Fp  | Fusible del primario (200mA) | Primary fuse (200mA)     | RC      | Control remoto               | Remote control                 |
| HP  | Presostato alta presión      | High pressure pressostat | RV      | Válvula inversora (ON bomba) | Reversing valve (ON heat pump) |
| HPR | Control Condensación ON/OFF  | ON/OFF winter control    | TD      | temp. Termost. Desescarche   | Timer Drefrost                 |
- 
- |    |         |    |          |        |
|----|---------|----|----------|--------|
| wh | blanco  | bk | negro    | black  |
| gn | verde   | bl | azul     | blue   |
| or | naranja | br | marrón   | brown  |
| rd | rojo    | yl | amarillo | yellow |
- 
- |                   |                            |
|-------------------|----------------------------|
| Elemento Opcional | Optional Element           |
| A                 | Realizar por el Instalador |
| Field wiring      | Field wiring               |

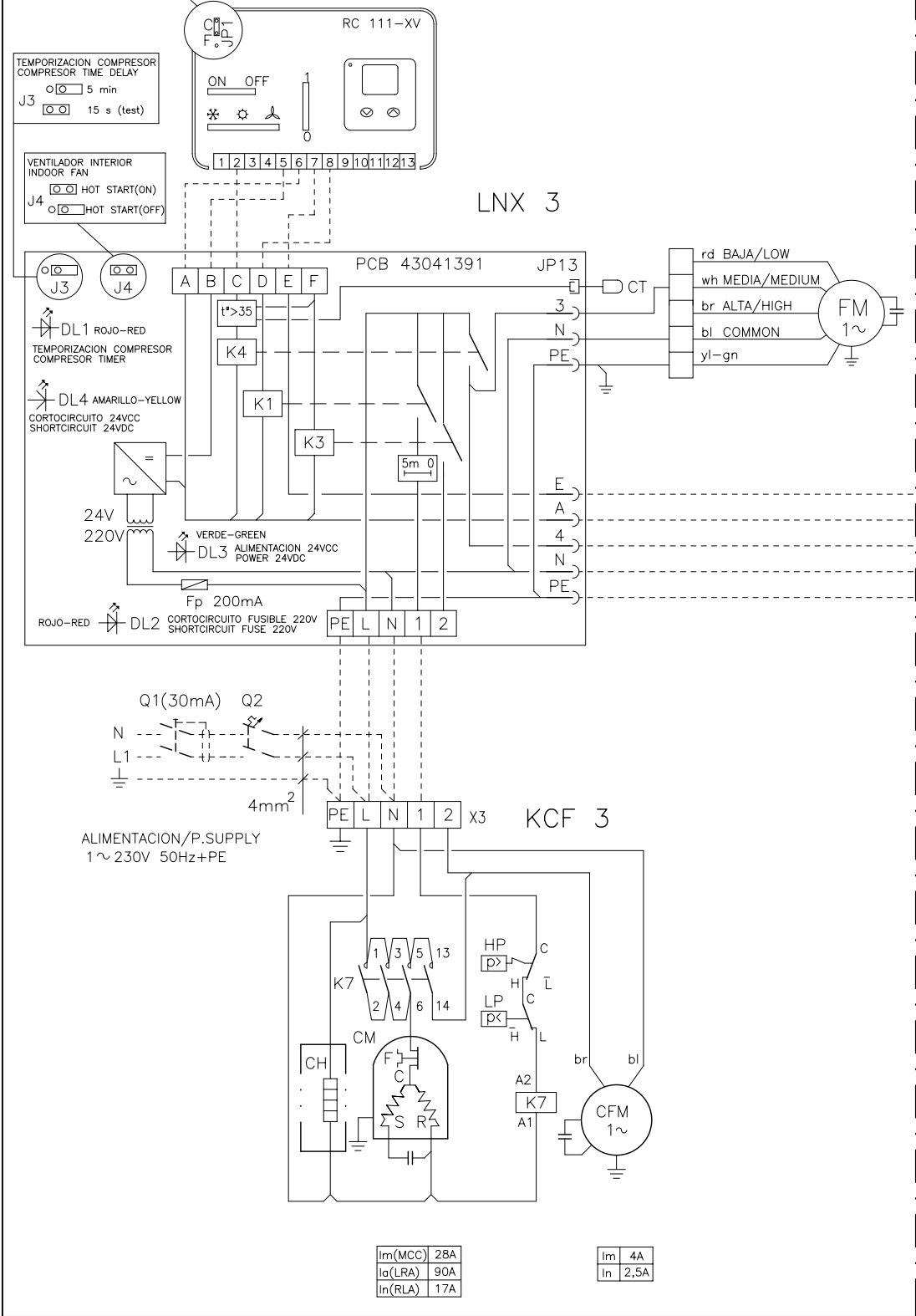
OPCIONALES/OPTIONAL



- |         |                              |                                |
|---------|------------------------------|--------------------------------|
| la(LRA) | Intensidad de arranque       | Starting current               |
| Im(MCC) | Intensidad máxima            | Maximum current                |
| In(RLA) | Intensidad nominal (ARI)     | Rated current (ARI)            |
| K       | Contactador                  | Contact                        |
| LP      | Presostato defecto carga KCB | Loss of charge pressostat KCB  |
| MT      | Termostato de seguridad      | Security Thermostat            |
| PCB     | Placa de circuito impreso    | Electronic control board       |
| PT      | Transductor de presión       | Pressure transducer            |
| Q1      | Interruptor diferencial      | Ground safety switch           |
| Q2      | Interruptor magnetotérmico   | Circuit Breaker                |
| RC      | Control remoto               | Remote control                 |
| RV      | Válvula inversora (ON bomba) | Reversing valve (ON heat pump) |
| TD      | temp. Termost. Desescarche   | Timer Drefrost                 |

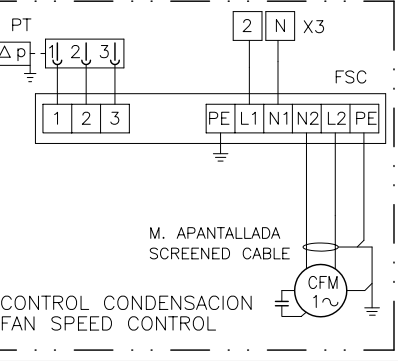
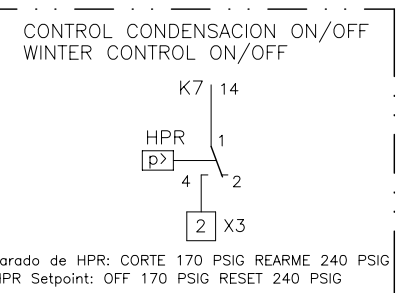
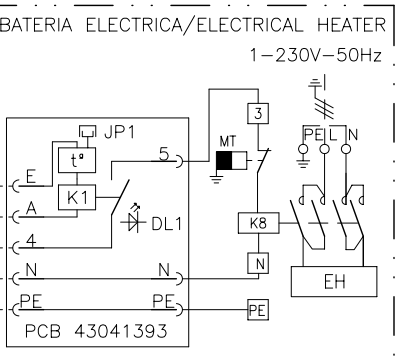
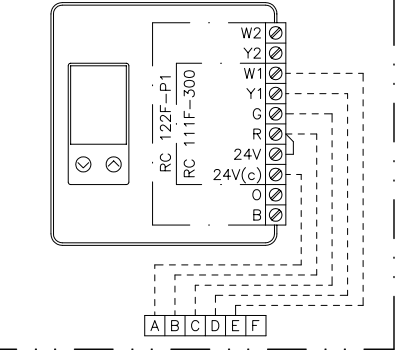
DUCTAIR – SOLO FRIO / COOLING ONLY

PRECAUCION: JUMPER INTERNO JP1 SELECCIONA EL CICLO DE ACTIVACION DE LA VALVULA INVERSORA. C=CALOR / F=FRIO. JP1 DEBE ESTAR EN LA POSICION INDICADA EN ESQUEMA ELECTRICO. CAUTION: JUMPER JP1 SELECTS THE ACTIVATION CYCLE OF REVERSING VALVE. C=HEATING / F=COOLING. JP1 MUST BE POSITIONED AS INDICATED ON ELECTRICAL DIAGRAM.



- |     |                              |                          |         |                             |                             |
|-----|------------------------------|--------------------------|---------|-----------------------------|-----------------------------|
| LNx | Unidad interior              | Indoor unit              | la(LRA) | Intensidad de arranque      | Starting current            |
| KCF | Unidad exterior              | Outdoor unit             | Im(MCC) | Intensidad máxima           | Maximum current             |
| CFM | Motor ventilador             | Condenser fan motor      | In(RLA) | Intensidad nominal (ARI)    | Rated current (ARI)         |
| CH  | Calentador de carter         | Crank case heater        | K       | Contactador                 | Contact                     |
| CM  | Motor compresor              | Compressor motor         | LP      | Presostato baja presión KCF | Low pressure pressostat KCF |
| CT  | Temperatura batería interior | Indoor coil temperature  | MT      | Termostato de seguridad     | Security Thermostat         |
| EH  | Batería eléctrica OPCIONAL   | Electric Heater OPTIONAL | PCB     | Placa de circuito impreso   | Electronic control board    |
| F   | Protección térmica           | Thermal protection       | PT      | Transductor de presión      | Pressure transducer         |
| FM  | Motor ventilador interior    | Internal fan motor       | Q1      | Interruptor diferencial     | Ground safety switch        |
| FSC | Control de condensación      | Fan speed control        | Q2      | Interruptor magnetotérmico  | Circuit Breaker             |
| Fp  | Fusible del primario (200mA) | Primary fuse (200mA)     | RC      | Control remoto              | Remote control              |
| HP  | Presostato alta presión      | High pressure pressostat |         |                             |                             |
| HPR | Control Condensación ON/OFF  | ON/OFF winter control    |         |                             |                             |
- 
- |    |         |    |          |        |
|----|---------|----|----------|--------|
| wh | blanco  | bk | negro    | black  |
| gn | verde   | bl | azul     | blue   |
| or | naranja | br | marrón   | brown  |
| rd | rojo    | yl | amarillo | yellow |
- 
- |                   |                            |
|-------------------|----------------------------|
| Elemento Opcional | Optional Element           |
| A                 | Realizar por el Instalador |
| Field wiring      | Field wiring               |

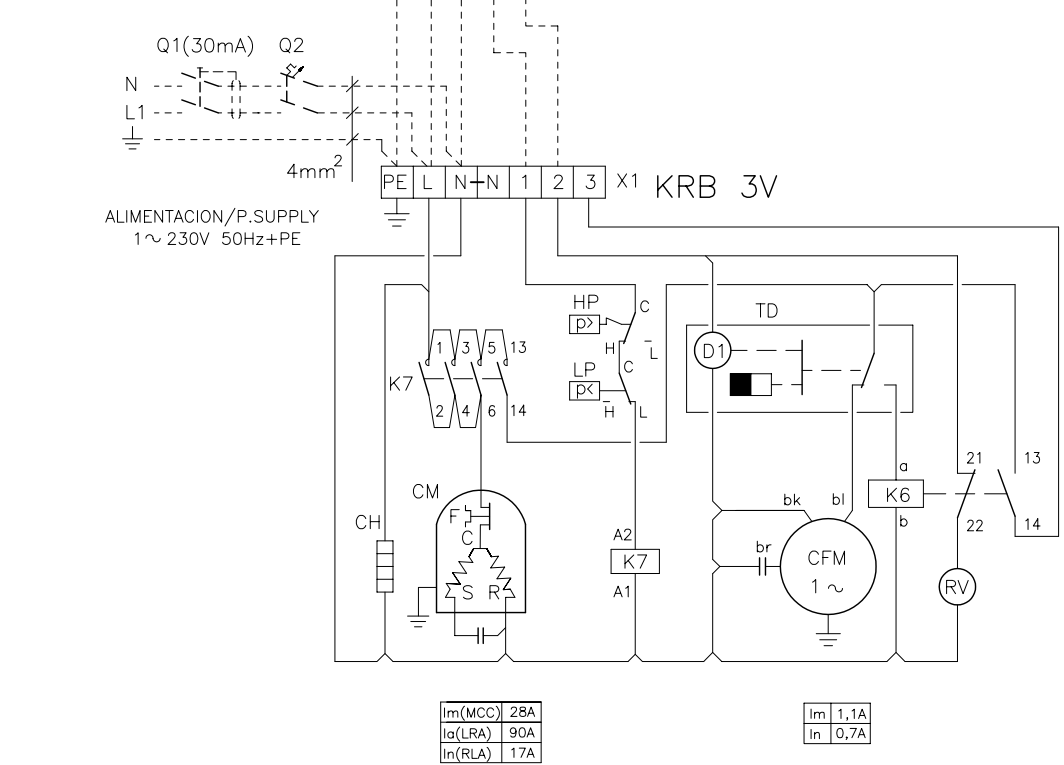
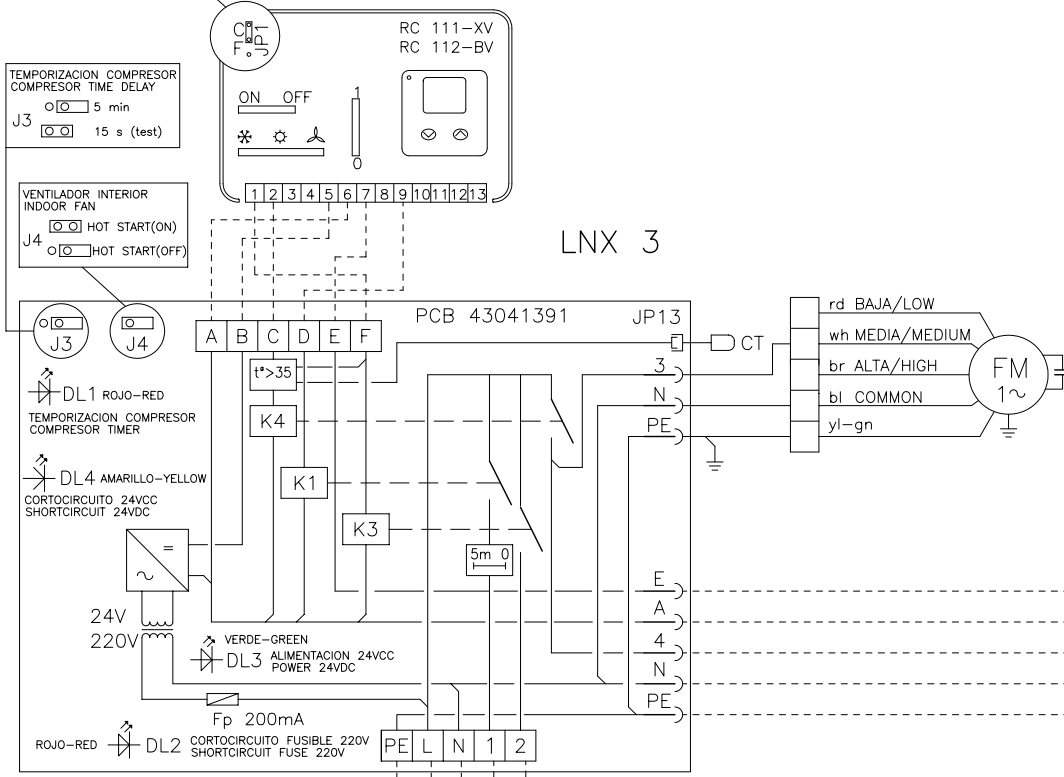
OPCIONALES/OPTIONAL



- |         |                             |                             |
|---------|-----------------------------|-----------------------------|
| la(LRA) | Intensidad de arranque      | Starting current            |
| Im(MCC) | Intensidad máxima           | Maximum current             |
| In(RLA) | Intensidad nominal (ARI)    | Rated current (ARI)         |
| K       | Contactador                 | Contact                     |
| LP      | Presostato baja presión KCF | Low pressure pressostat KCF |
| MT      | Termostato de seguridad     | Security Thermostat         |
| PCB     | Placa de circuito impreso   | Electronic control board    |
| PT      | Transductor de presión      | Pressure transducer         |
| Q1      | Interruptor diferencial     | Ground safety switch        |
| Q2      | Interruptor magnetotérmico  | Circuit Breaker             |
| RC      | Control remoto              | Remote control              |

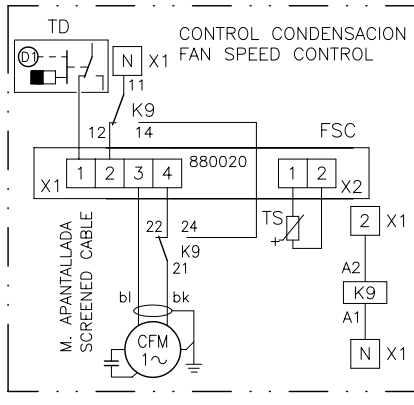
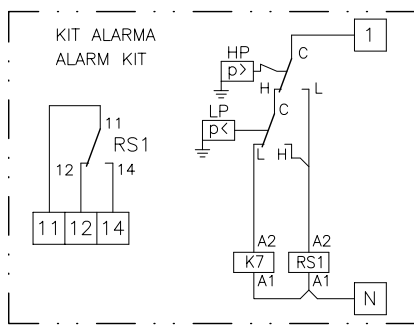
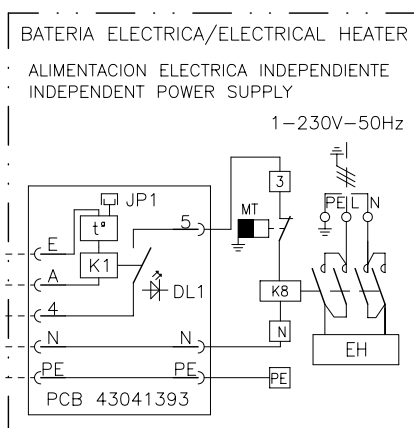
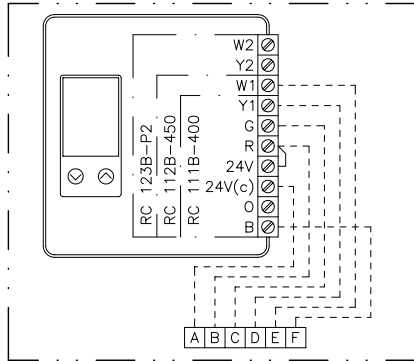
DUCTAIR – BOMBA DE CALOR / HEAT PUMP

PRECAUCION: JUMPER INTERNO JP1 SELECCIONA EL CICLO DE ACTIVACION DE LA VALVULA INVERSORA. C=CALENTAMIENTO / F=FRIO. JP1 DEBE ESTAR EN LA POSICION INDICADA EN ESQUEMA ELECTRICO.  
 CAUTION: JUMPER JP1 SELECTS THE ACTIVATION CYCLE OF REVERSING VALVE. C=HEATING / F=COOLING. JP1 MUST BE POSITIONED AS INDICATED ON ELECTRICAL DIAGRAM.



- |     |                              |                          |         |   |  |
|-----|------------------------------|--------------------------|---------|---|--|
| LNx | Unidad interior              | Indoor unit              | la(LRA) | Intensidad de arranque                                  | Starting current   |
| KRB | Unidad exterior              | Outdoor unit             | Im(MCC) | Intensidad máxima                                       | Maximum current  |
| CFM | Motor ventilador             | Condenser fan motor      | In(RLA) | Intensidad nominal (ARI)                                | Rated current (ARI)  |
| CH  | Calentador de carter         | Crank case heater        | K       | Contacto  | Contacto   |
| CM  | Motor compresor              | Compressor motor         | LP      | Presostato defecto carga KRB                            | Loss of charge pressostat KRB                                    |
| CT  | Temperatura batería interior | Indoor coil temperature  | MT      | Termostato de seguridad                                 | Security Thermostat  |
| EH  | Batería eléctrica OPCIONAL   | Electric Heater OPTIONAL | PCB     | Placa de circuito impreso                               | Electronic control board   |
| F   | Protección térmica           | Thermal protection       | Q1      | Interruptor diferencial                                 | Ground safety switch   |
| FM  | Motor ventilador interior    | Internal fan motor       | Q2      | Interruptor magnetotérmico                              | Circuit Breaker  |
| FSC | Control de condensación      | Fan speed control        | RC      | Control remoto  | Remote control   |
| Fp  | Fusible del primario (200mA) | Primary fuse (200mA)     | RV      | Rele alarma   | Alarm relay  |
| HP  | Presostato alta presión      | High pressure pressostat | TS      | Válvula inversora (ON bomba) temp. Termost. Desescarche | Reverse valve (ON heat pump) Timer Defrost Sensor de Temperatura |

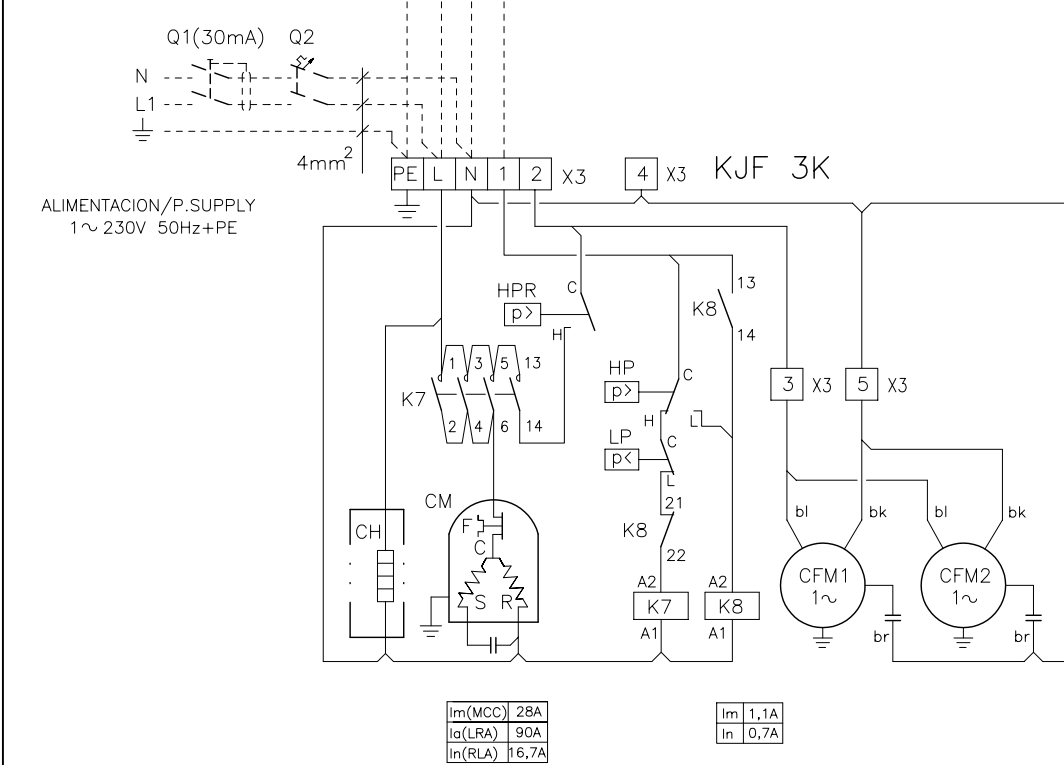
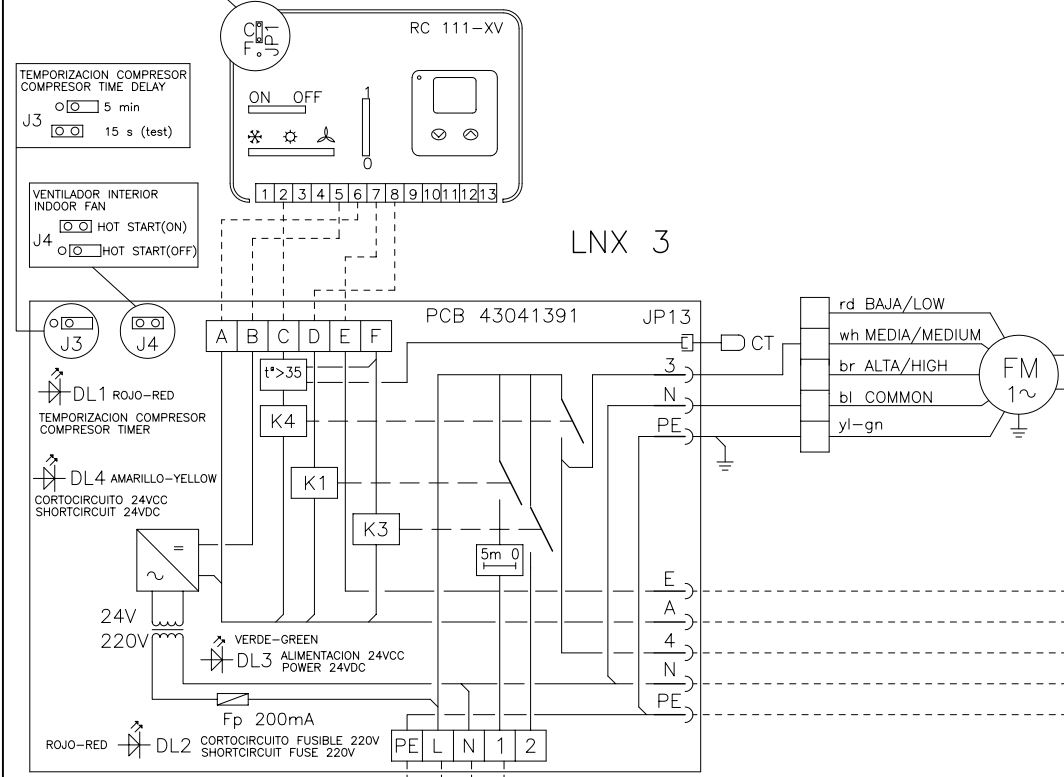
OPCIONALES/OPTIONAL



- |    |         |        |    |          |        |
|----|---------|--------|----|----------|--------|
| wh | blanco  | white  | bk | negro    | black  |
| gn | verde   | green  | bl | azul     | blue   |
| or | naranja | orange | br | marrón   | brown  |
| rd | rojo    | red    | yl | amarillo | yellow |

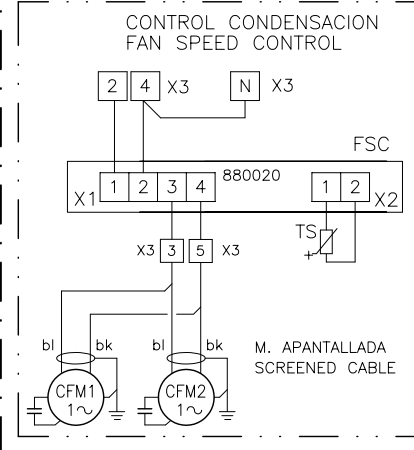
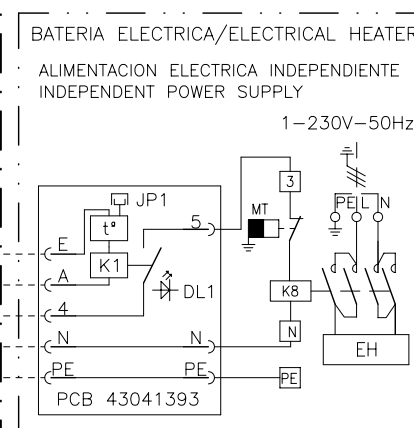
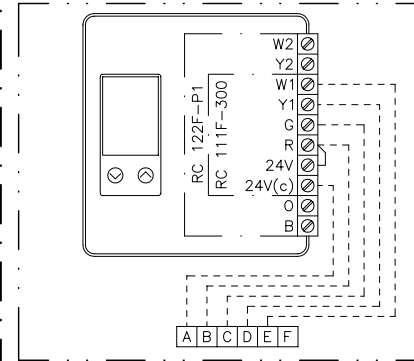
DUCTAIR – SOLO FRIO / COOLING ONLY

PRECAUCION: JUMPER INTERNO JP1 SELECCIONA EL CICLO DE ACTIVACION DE LA VALVULA INVERSORA. C=CALENTAMIENTO / F=FRIO. JP1 DEBE ESTAR EN LA POSICION INDICADA EN ESQUEMA ELECTRICO.  
 CAUTION: JUMPER JP1 SELECTS THE ACTIVATION CYCLE OF REVERSING VALVE. C=HEATING / F=COOLING. JP1 MUST BE POSITIONED AS INDICATED ON ELECTRICAL DIAGRAM.



- |     |                              |                          |         |                             |                             |
|-----|------------------------------|--------------------------|---------|-----------------------------|-----------------------------|
| LNx | Unidad interior              | Indoor unit              | la(LRA) | Intensidad de arranque      | Starting current            |
| KJF | Unidad exterior              | Outdoor unit             | Im(MCC) | Intensidad máxima           | Maximum current             |
| CFM | Motor ventilador             | Condenser fan motor      | In(RLA) | Intensidad nominal (ARI)    | Rated current (ARI)         |
| CH  | Calentador de carter         | Crank case heater        | K       | Contacto                    | Contacto                    |
| CM  | Motor compresor              | Compressor motor         | LP      | Presostato baja presión KJF | Low pressure pressostat KJF |
| CT  | Temperatura batería interior | Indoor coil temperature  | MT      | Termostato de seguridad     | Security Thermostat         |
| EH  | Batería eléctrica OPCIONAL   | Electric Heater OPTIONAL | PCB     | Placa de circuito impreso   | Electronic control board    |
| F   | Protección térmica           | Thermal protection       | Q1      | Interruptor diferencial     | Ground safety switch        |
| FM  | Motor ventilador interior    | Internal fan motor       | Q2      | Interruptor magnetotérmico  | Circuit Breaker             |
| FSC | Control de condensación      | Fan speed control        | RC      | Control remoto              | Remote control              |
| Fp  | Fusible del primario (200mA) | Primary fuse (200mA)     | TS      | Sensor de Temperatura       | Temperature Sensor          |
| HP  | Presostato alta presión      | High pressure pressostat |         |                             |                             |
| HPR | Control Condensación ON/OFF  | ON/OFF winter control    |         |                             |                             |

OPCIONALES/OPTIONAL



- |    |         |        |    |          |        |
|----|---------|--------|----|----------|--------|
| wh | blanco  | white  | bk | negro    | black  |
| gn | verde   | green  | bl | azul     | blue   |
| or | naranja | orange | br | marrón   | brown  |
| rd | rojo    | red    | yl | amarillo | yellow |