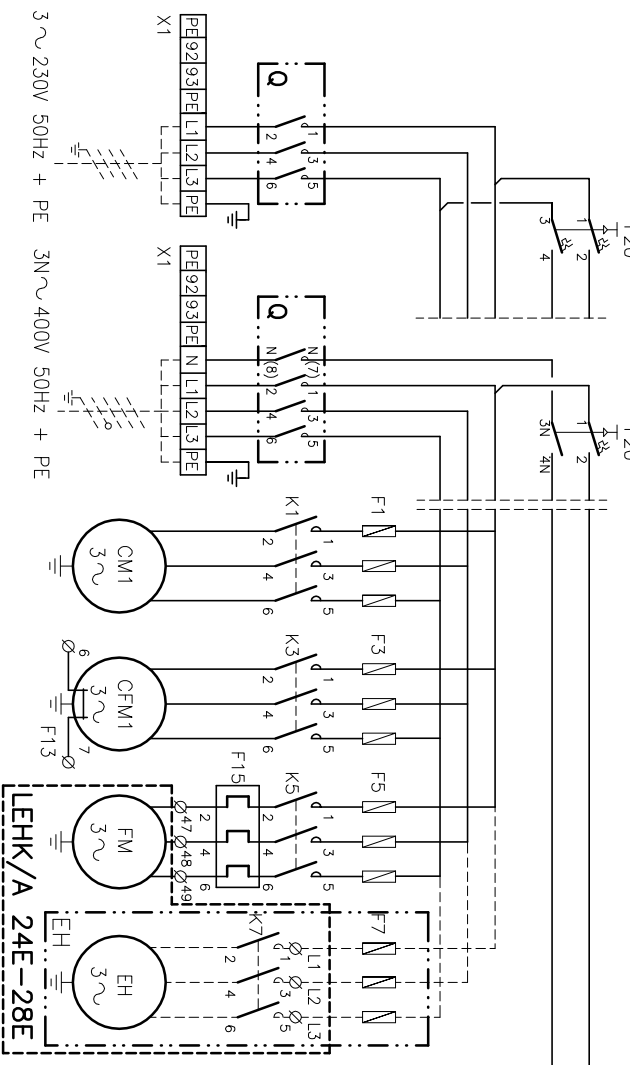
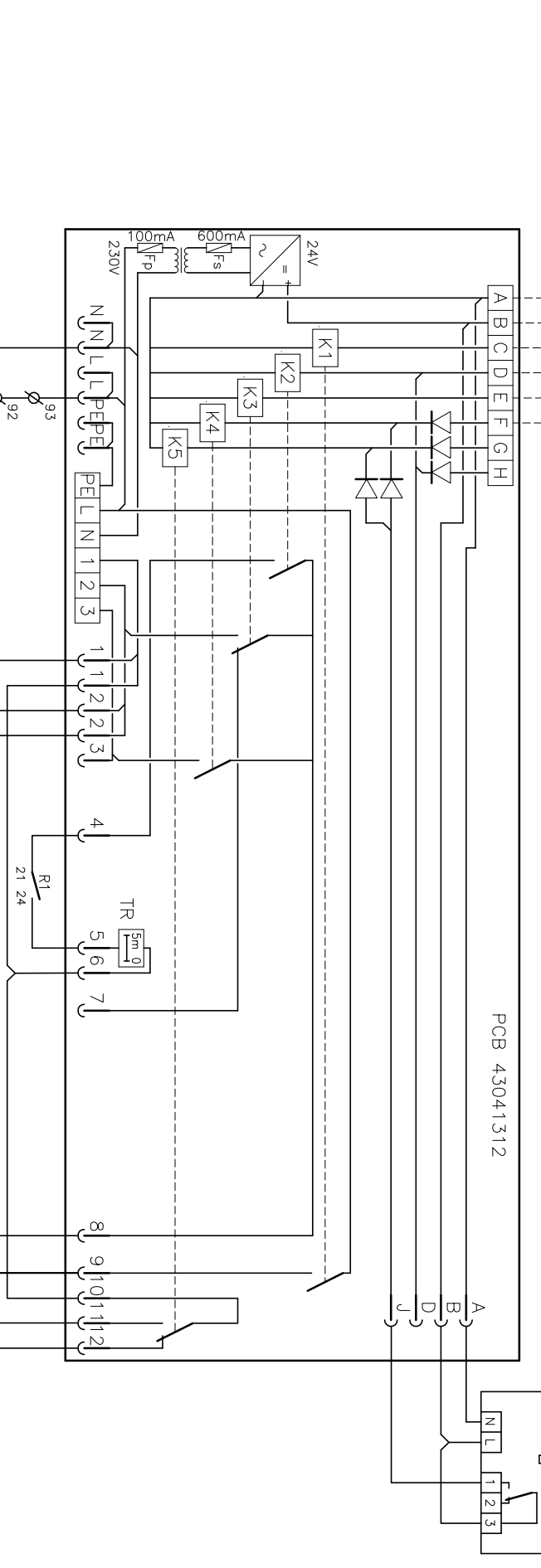
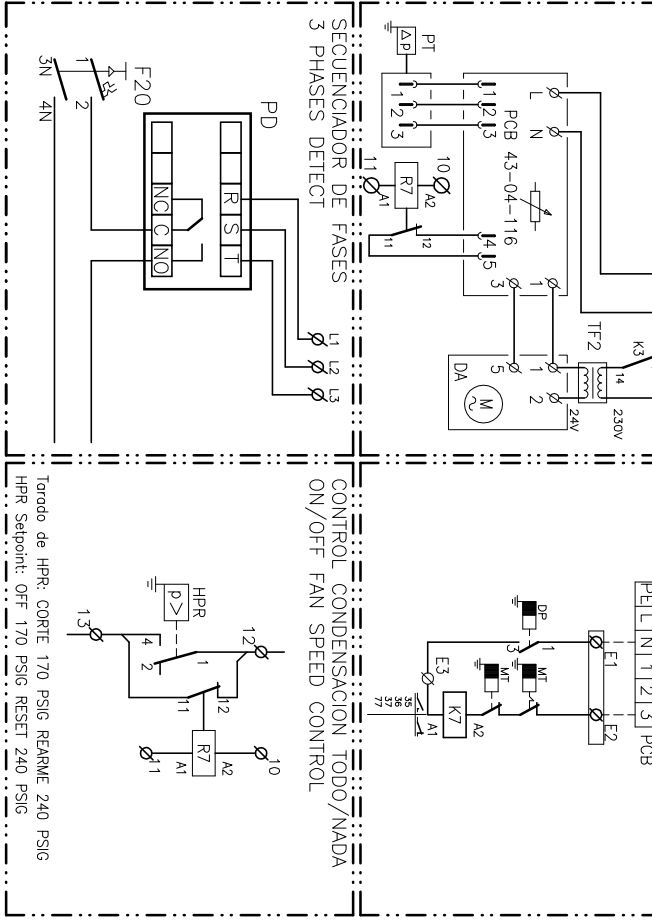
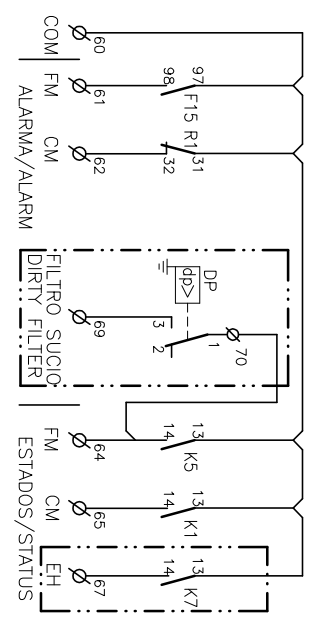


CONTROL CONDENSACION FAN SPEED CONTROL

BATERIA ELECTRICA ELECTRIC HEATER



PE	1	2	3	4	5	6	7	8	9	10	11	12	13	14	15	16	17	18	19	20	21	22	23	24	25	26	27	28	29	30	31	32	33
----	---	---	---	---	---	---	---	---	---	----	----	----	----	----	----	----	----	----	----	----	----	----	----	----	----	----	----	----	----	----	----	----	----

Elemento Opcional  
Optional Element  
A Realizar por el Instalador  
To Wire by the Installer

Fusibles	F1	F3 & F5
Fuses size	LVAH/K 24E LVAH/K 28E	
	230/3/50 1x 3 x 40A 1x 3 x 40A 2x 3 x 16A	
	400/3/50 1x 3 x 20A 1x 3 x 25A 2x 3 x 10A	

Lennox Refac S.A.

ESQUEMA ELECTRICO  
ELECTRIC DIAGRAM

VERSION VFC / VFC VERSION

LVHK (LEHK+KVHK) 24E-28E  
LVHA (LEHA+KVHA) 24E-28E

VERSION VFC / VFC VERSION

3Z-33-478-154 30B  
3N 400V 50Hz + PE  
3 ~ 230V 50Hz + PE