

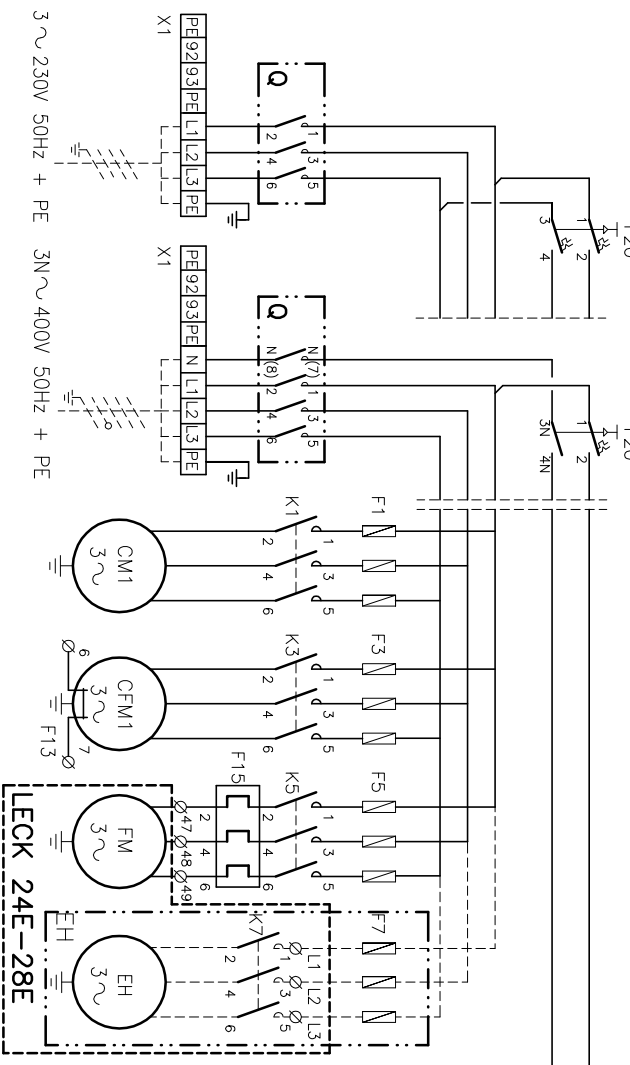
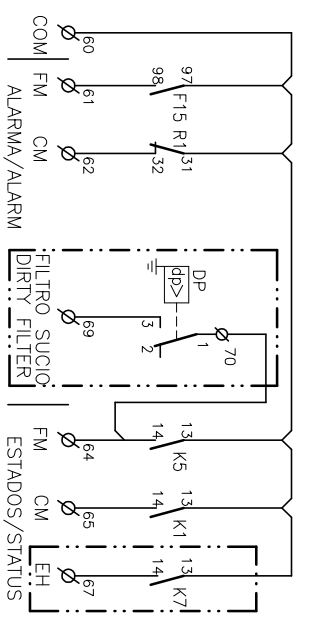
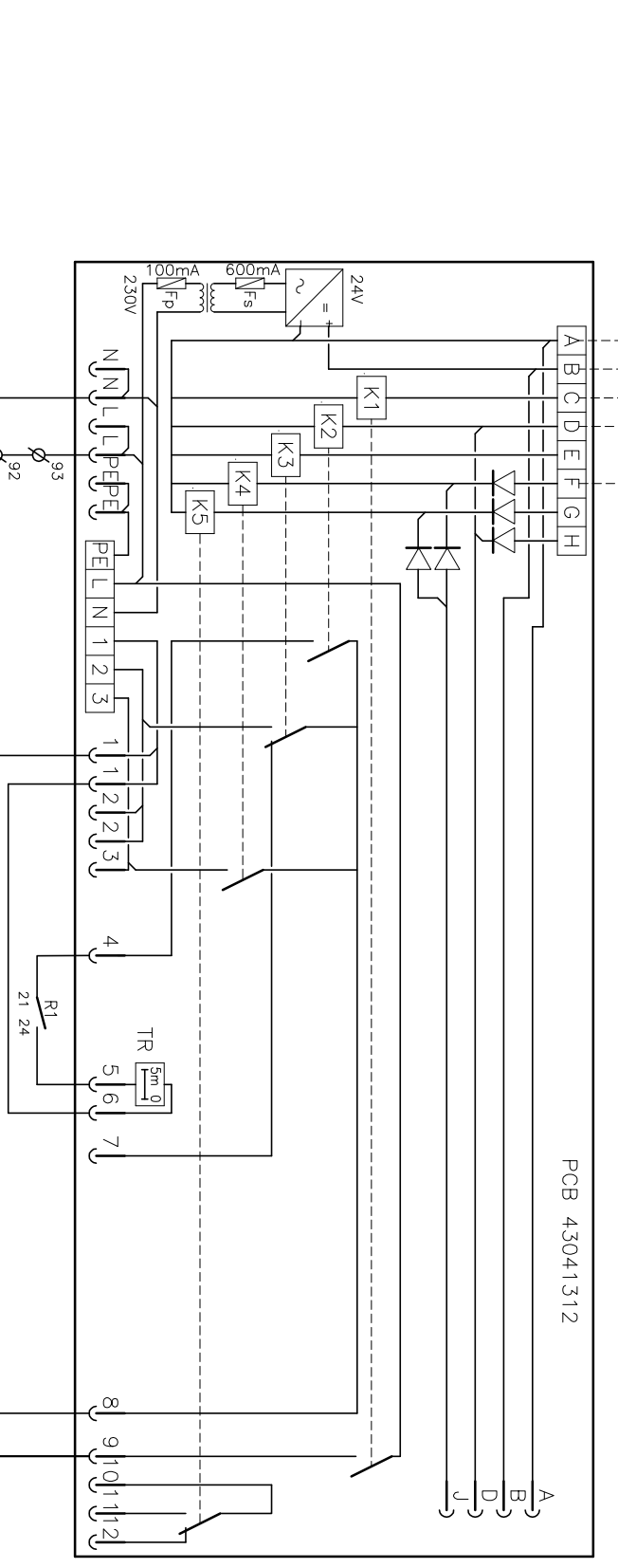
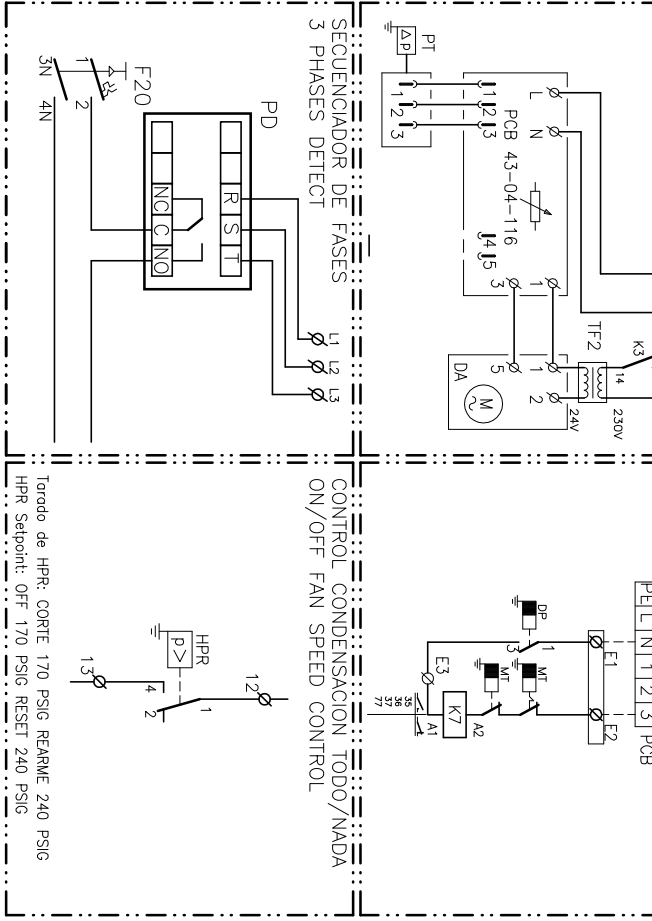
TERMOSTATO PROGRAMABLE PROGRAMMABLE THERMOSTAT

SONDA REMOTA REMOTE SENSOR

BATERIA ELECTRICA ELECTRIC HEATER

CONTROL CONDENSACION FAN SPEED CONTROL

CONTROL CONDENSACION TODO/NADA ON/OFF FAN SPEED CONTROL



- PE 1 2 3 4 5 6 7 8 9 12 13 47 48 49 60 61 62 64 65 67 PE
- X2

Elemento Opcional
Optional Element
A Realizar por el Instalador
To Wire by the Installer

Fusibles	F1	F3 & F5
LVCK 24E	LVCK 28E	
230/3/50 1x 3 x 40A	1x 3 x 40A 2x 3 x 16A	
400/3/50 1x 3 x 20A	1x 3 x 25A 2x 3 x 10A	

VERSION WFC / WFC VERSION

Lennox Refac S.A. ESQUEMA ELECTRICO LVCK (LECK+KVCK) 24E-28E 3Z-33-878-154 30B 3N 400V 50HZ + PE 3~230V 50HZ + PE