

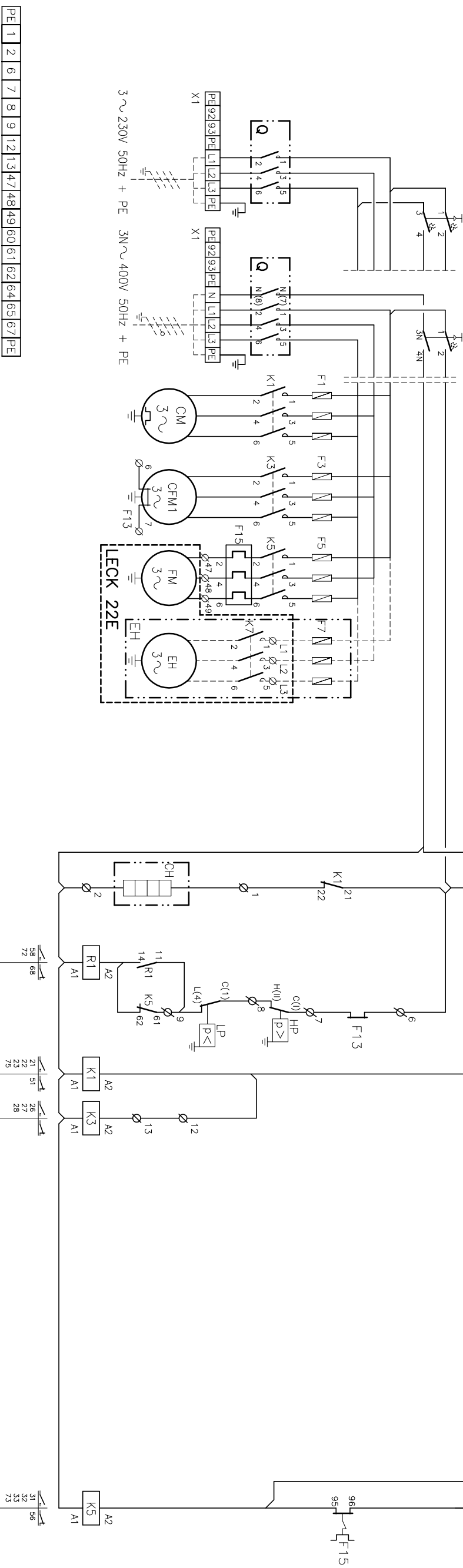
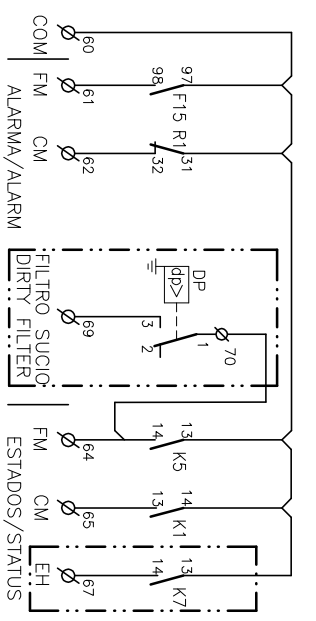
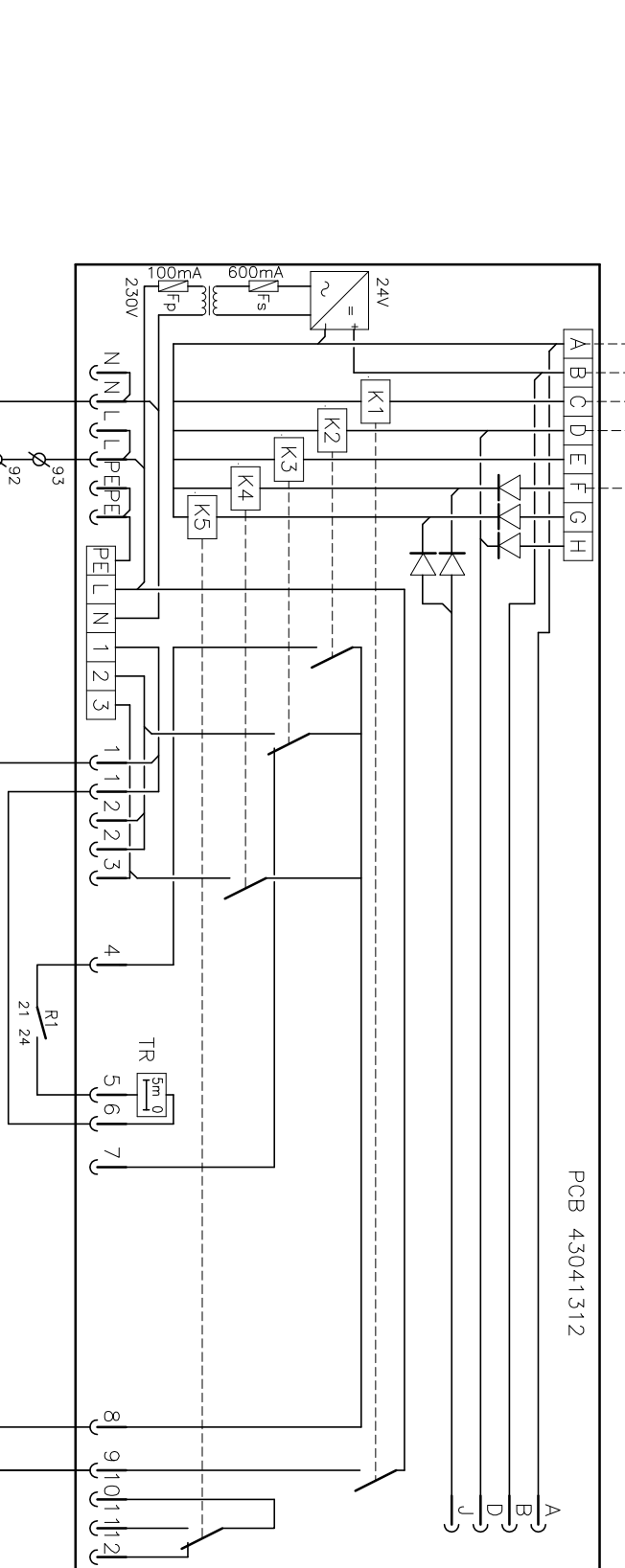
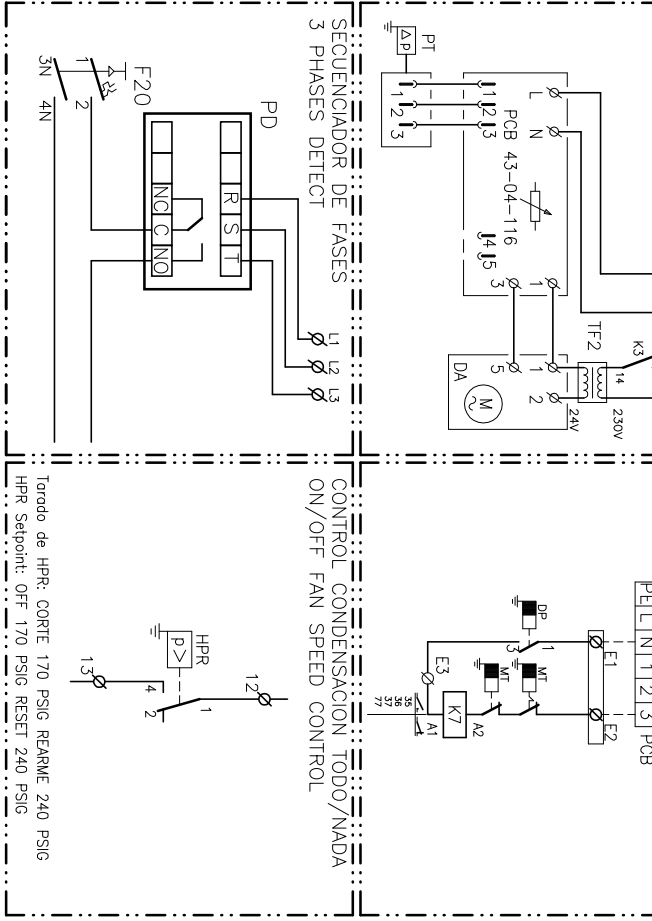
TERMOSTATO PROGRAMABLE PROGRAMMABLE THERMOSTAT

SONDA REMOTA REMOTE SENSOR

BATERIA ELECTRICA ELECTRIC HEATER

CONTROL CONDENSACION FAN SPEED CONTROL

CONTROL CONDENSACION TODO/NADA ON/OFF FAN SPEED CONTROL



PE 1 2 6 7 8 9 12 13 47 48 49 60 61 62 64 65 67 PE

Fusibles	F1	F3 & F5
Fuses size	LVCK 22E	
	230/3/50 1x 3 x 32A 2x 3 x 16A	
	400/3/50 1x 3 x 20A 2x 3 x 10A	

Lennox Refac S.A. ESQUEMA ELECTRICO ELECTRIC DIAGRAM

VERSION WFC / WFC VERSION LVCK (LECK+KVCK) 22E 3Z-33-875-154 30B 3N 400V 50HZ + PE 3 ~ 230V 50HZ + PE