

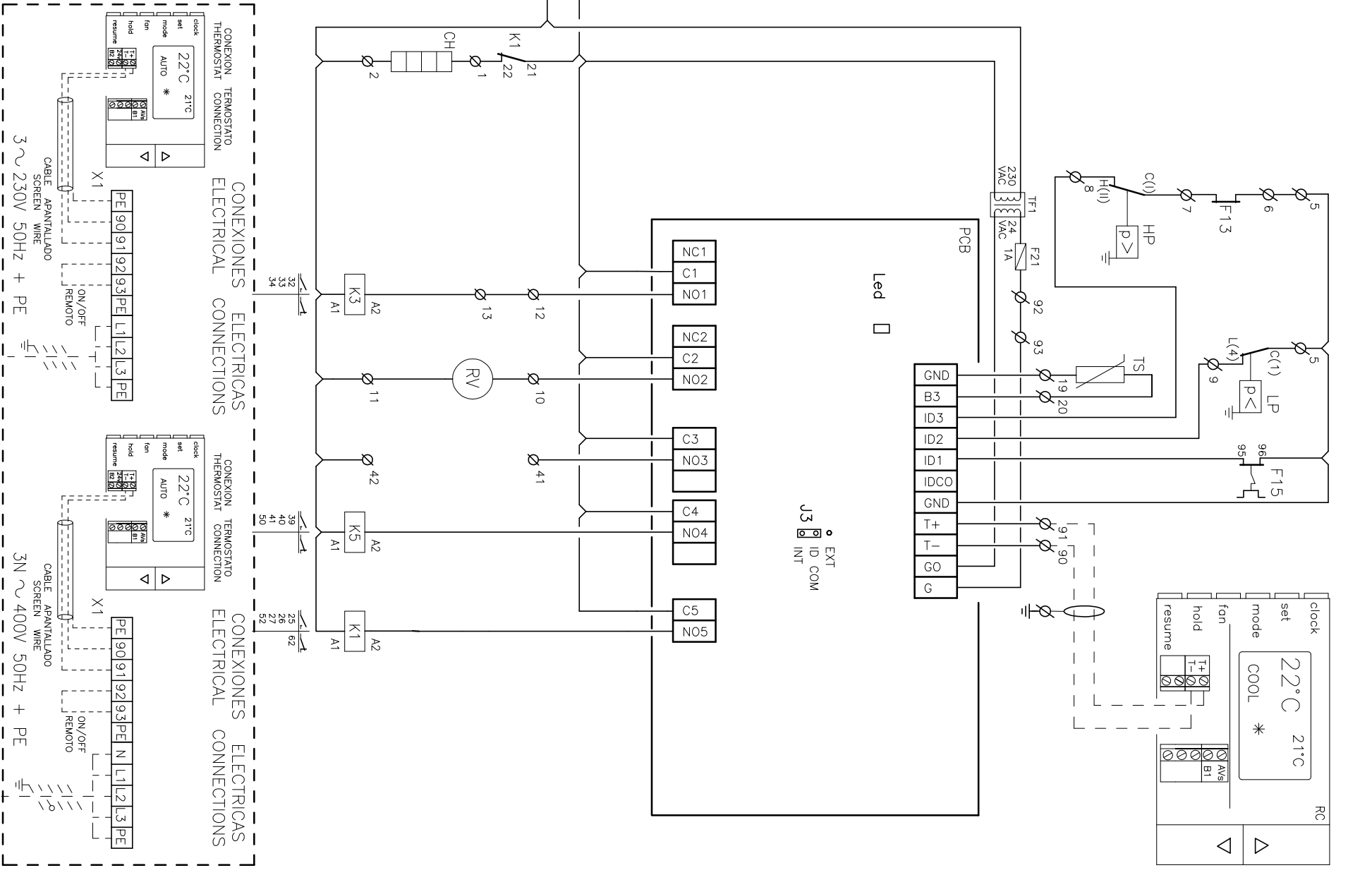
Fusibles	F1	F3 & F5
Fuses size	LVHA/K 22E	F3 & F5
	230/3/50 1x 3 x 32A 2x 3 x 16A	
	400/3/50 1x 3 x 20A 2x 3 x 10A	

Lennox Refac S.A.

ESQUEMA ELECTRICO  
 ELECTRIC DIAGRAM

LVHK (LEHK+KVHK) 22E  
 LVHA (LEHA+KVHA) 22E

3Z-33-475-311 30B  
 3N 400V 50Hz PE  
 3~ 230V 50Hz + PE



CONEXIONES ELECTRICAS  
 ELECTRICAL CONNECTIONS

CONEXIONES ELECTRICAS  
 ELECTRICAL CONNECTIONS

