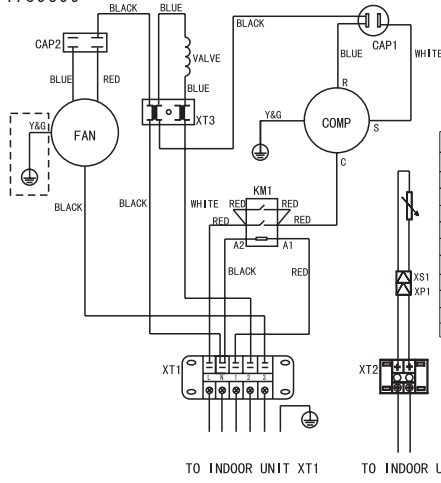


2204709099



**WIRING DIAGRAM**

CODE	PART NAME
CAP1	COMP. CAP.
CAP2	OUTDOOR FAN CAP.
COMP	COMPRESSOR
FAN	OUTDOOR FAN
KM1	AC CONTACTOR
RT3	PIPE TEMP. SENSOR
XS1, XP1	CONNECTORS
XT1	5-WAY TERMINAL
XT2	2-WAY TERMINAL
XT3	MIDDLE TERMINAL
VALVE	4-WAY VALVE

TO INDOOR UNIT XT1

TO INDOOR UNIT XT2