



Ceiling Cassette Air Conditioner **SERVICE MANUAL**

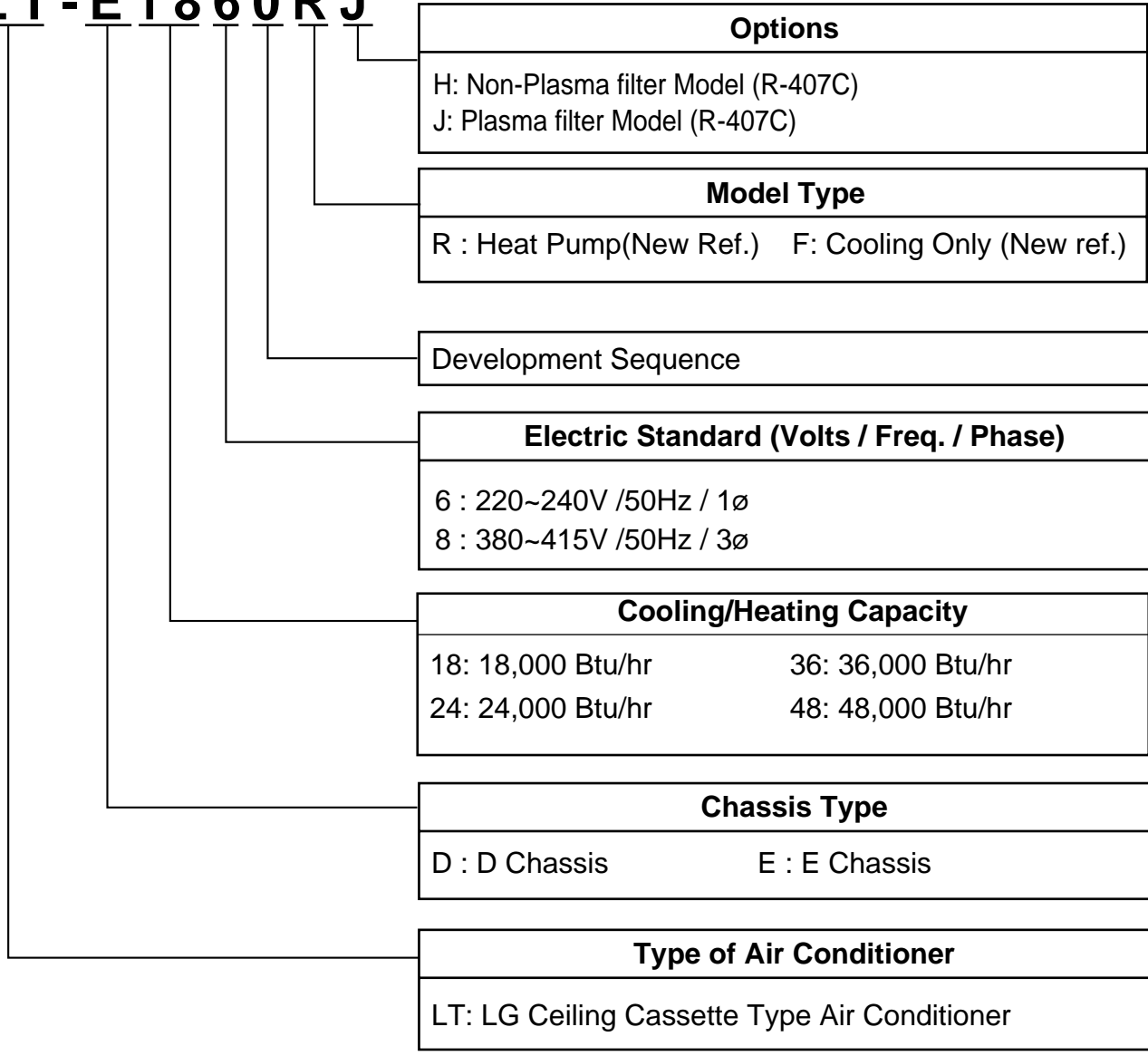
**MODELS: LT-E1860RJ/RH
LT-E2460RJ/RH
LT-D3680RJ/RH/FJ/FH
LT-D4880RJ/RH/FJ/FH**

Contents

Model Identification	3
Functions	4
Product Specifications (Cooling & Heating).....	6
Dimensions	8
Refrigeration Cycle Diagram	12
Wiring Diagram	13
Operation Details	16
Installation of Indoor, Outdoor Unit	19
Cycle	34
Cycle Troubleshooting Guide	37
Electronic Parts Troubleshooting Guide	38
Electronic Control Device	41
Schematic Diagram	42
Exploded View and Replacement Parts List	43

Model Identification

LT - E 1 8 6 0 R J



Functions

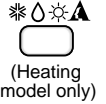
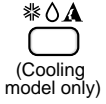
Indoor Unit	
Operation ON/OFF by Remote controller	
Sensing the Room Temperature	• Room temperature sensor. (Thermistor)
Room temperature control	• Maintains the room temperature in accordance with the Setting Temp.
Starting Current Control	• Indoor fan is delayed for 5 seconds at the starting.
Time Delay Safety Control	• Restarting is inhibited for approx. 3 minutes.
Indoor Fan Speed Control	• Jet, High, Med, Low
Soft Dry Operation Mode	• Intermittent operation of fan at low speed.
Airflow Direction Control	• The louver can be set at swing up and down automatically.
Auto Restart	• Although the air-conditioner is turned off by a power failure, it is restarted automatically previous operation mode after power supply.
Auto Operation(Auto Change Over)	• The setting temperature and desired operation mode are automatically set by fuzzy logic.
Deice (defrost) control (Heating)	• Both the indoor and outdoor fan stops during defrosting. • Hot start after defrost ends.
Hot-start Control (Heating)	• The indoor fan stops until the evaporator piping temperature will be reached at 28°C.
Compact and light design	• To install a unit is very convenient because of smaller size than textile. (600 x 600)
Low noise	• The most advanced low-noise design. • The adoption of turbo fan and round type heat exchanger give the quietest operation.
Long life filter	• Long life wrinkle(type) and washable and anti-bacteria filter is adopted.
Plasma Air Purifying Filter(RJ/FJ Only)	
High head Drain pump	• Built-in drain pump automatically drains water. • A standard drain-head height of up to 700mm is possible.
High-Ceiling corresponding Function	• According to the height of ceiling, the RPM of indoor fan motor is selected to increase air reaching distance.
Central Control(Optional)	• It is operating individually or totally by central control function.
Group Control(Optional Wiring)	• Each controller can control 16 units and 8 controllers can be connected. • It operates maximum 16 units by only one wired remote controller and each unit starts sequentially to prevent overcurrent.

Remote Controller

Operation ON/OFF



Operation Mode Selection



Cooling Operation Mode (❄)
 Heating Operation Mode (☀)

Soft Dry Operation Mode (💧)
 Auto Operation Mode (▲)

Fan Speed Selection



Room Temperature Display



: High:39°C ↔ LOW:11°C

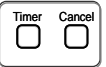
Temperature Setting



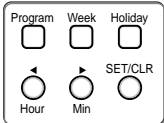
Cooling [Down to 18°C
 Up to 30°C

Heating [Down to 16°C
 Up to 30°C

Setting the Timer



Weekly Program



Fan Operation Mode



: Fan Operates without cooling & heating

Product Specifications (Cooling & Heating)

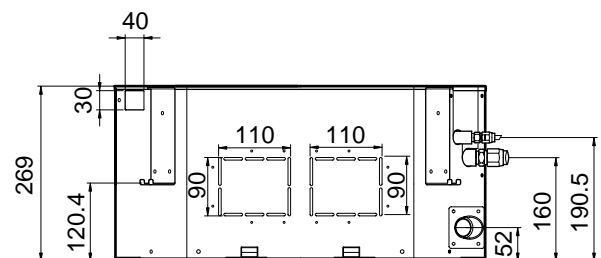
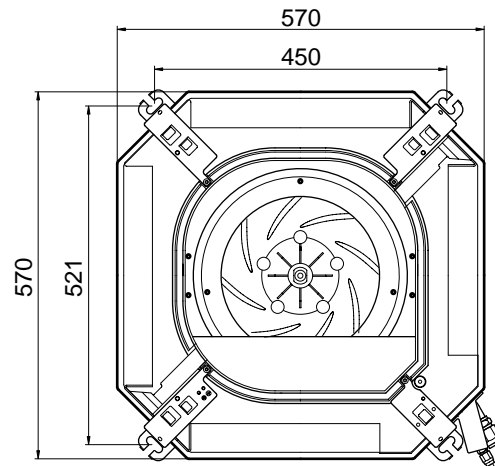
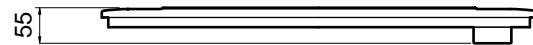
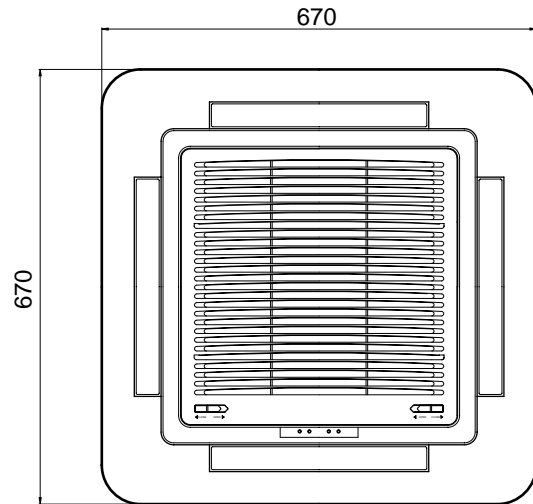
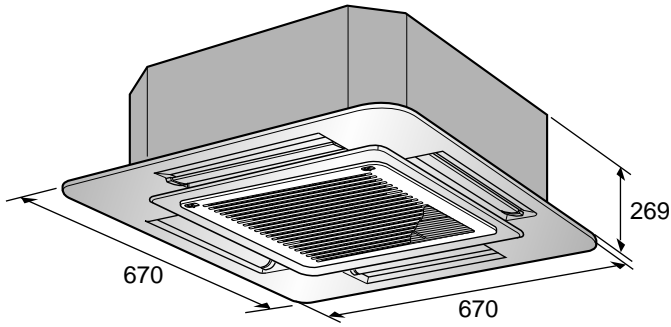
Model			LT-E1860RJ LT-E1860RH	LT-E2460RJ LT-E2460RH
Power Supply		ø, V, Hz	1, 220-240, 50	1, 220-240, 50
Capacity	Cooling	kcal/h(W)	4,536(5,274)	5,872(6,892)
		Btu/h	18,000	23,300
	Heating	kcal/h(W)	4,536(5,274)	-
		Btu/h	18,000	24,000
Input	Cooling	W	2,000	2,900
	Heating	W	2,000	3,350
Running Current	Cooling	A	9.0	12.5
	Heating	A	9.0	14.8
E. E. R		W/W	2.64	2.35
C.O.P		W/W	2.64	2.1
Air Circulation	Indoor	m ³ /min	13	20
	Outdoor	m ³ /min	50	56
Moisture Removal		ℓ / h	1.9	3
Feature	Air-Flow Direction Control		O	O
	Heating Operation Mode		O	O
	Fan Speeds (steps)		4	4
	Auto Operation (Changeover)		O	O
	Forced Operation		O	O
	Jet Cool		O	O
	Soft Dry Operation		O	O
	Timer Delay Safety Function		O	O
	Air Deflection (Way)		4	4
	Self Diagnosis		O	O
	Hot start		O	O
	Auto Restart		O	O
	Air refresh (Hole)		O	O
	High Ceiling		O	O
	Group Control (Optional wiring)		O	O
	Central Control		Optional	Optional
Wired remote controller (with weekly Program)		O	O	
Plasma A/Cleaner		O / X	O / X	
Refrigerant(R-407C) Charge		g	1,330	1,600
Dimensions (W x D x H)	Indoor	mm	570 x 570 x 269	840 x 840 x 288
	Panel	mm	670 x 670 x 30	950 x 950 x 30
	Outdoor	mm	870 x 655 x 320	870 x 800 x 320
Net Weight	Indoor	kg	19	19
	Outdoor	kg	61	60
Main Power Cord		AWG#:P*mm ²	14 : 3*2.5	14 : 3*2.5
Connection Cable		AWG#:P*mm ²	18 : 6*0.75	18 : 6*0.75
Service Valve	Liquid	(inch)	1/4 (6.35mm)	1/4 (6.35mm)
	Gas	(inch)	1/2 (12.7mm)	5/8 (15.88mm)
Drain Hose(I.D/O.D)		mm	Ø25/32	Ø25/32

Model			LT-D3680RJ LT-D3680RH	LT-D3680FJ LT-D3680FH	LT-D4880RJ LT-D4880RH	LT-D4880FJ LT-D4880FH
Power Supply		ø, V, Hz	3, 380-415, 50	3, 380-415, 50	3, 380-415, 50	3, 380-415, 50
Capacity	Cooling	kcal/h(W)	9,073(10,550)	9,073(10,550)	12,096(14,065)	12,096(14,065)
		Btu/h	36,000	36,000	48,000	48,000
	Heating	kcal/h(W)	9,073(10,500)	-	12,096(14,065)	-
		Btu/h	36,000	-	48,000	-
Input	Cooling	W	4,200	4,200	4,900	4,900
	Heating	W	3,450	-	4,400	-
Running Current	Cooling	A	6.8	6.8	8.5	8.5
	Heating	A	6.0	-	8.0	-
E. E. R		W/W	2.51	2.51	2.87	2.87
C.O.P		W/W	3.05	-	3.20	-
Air Circulation	Indoor	m ³ /min	25	25	30	30
	Outdoor	m ³ /min	68	68	105	105
Moisture Removal		ℓ / h	1.9	1.9	3.0	3.0
Feature	Air-Flow Direction Control		O	O	O	O
	Heating Operation Mode		O	X	O	X
	Fan Speeds (steps)		4	4	4	4
	Auto Operation (Changeover)		O	O	O	O
	Forced Operation		O	O	O	O
	Jet Cool		O	O	O	O
	Soft Dry Operation		O	O	O	O
	Timer Delay Safety Function		O	O	O	O
	Air Deflection (Way)		4	4	4	4
	Self Diagnosis		O	O	O	O
	Hot start		O	X	O	X
	Auto Restart		O	O	O	O
	Air refresh (Hole)		O	O	O	O
	High Ceiling		O	O	O	O
	Group Control (Optional wiring)		O	O	O	O
	Central Control		Optional	Optional	Optional	Optional
Wired remote controller (with weekly Program)		O	O	O	O	
Plasma A/Cleaner		O / X	X	O / X	X	
Refrigerant(R-407C) Charge		g	2,480	2,200	4,200	3,400
Dimensions (W x D x H)	Indoor	mm	840 x 840 x 288	840 x 840 x 288	840 x 840 x 288	840 x 840 x 288
	Panel	mm	950 x 950 x 30	950 x 950 x 30	950 x 950 x 30	950 x 950 x 30
	Outdoor	mm	870 x 800 x 320	870 x 800 x 320	900 x 370 x 1225	900 x 370 x 1225
Net Weight	Indoor	kg	32	32	32	32
	Outdoor	kg	81	81	95	95
Main Power Cord		AWG#*P*mm ²	14 : 3*2.5	14 : 3*2.5	14 : 3*2.5	14 : 3*2.5
Connection Cable		AWG#*P*mm ²	18 : 6*0.75	18 : 4*0.75	18 : 6*0.75	18 : 4*0.75
Service Valve	Liquid	(inch)	1/4 (6.35mm)	1/4 (6.35mm)	3/8 (9.52mm)	3/8 (9.52mm)
	Gas	(inch)	5/8 (15.88mm)	5/8 (15.88mm)	3/4 (19.05mm)	3/4 (19.05mm)
Drain Hose(I.D/O.D)		mm	Ø25/32	Ø25/32	Ø25/32	Ø25/32

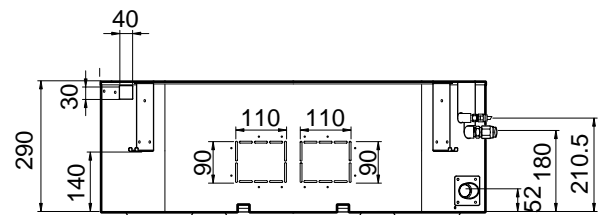
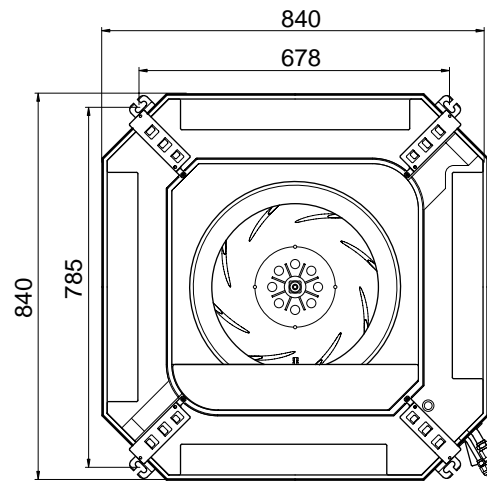
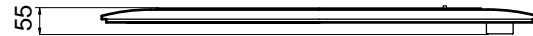
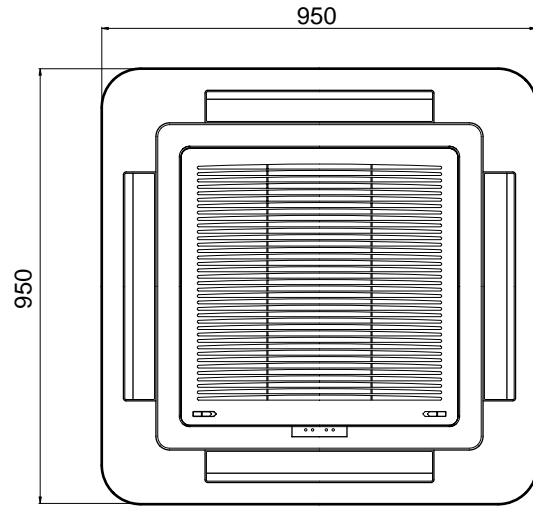
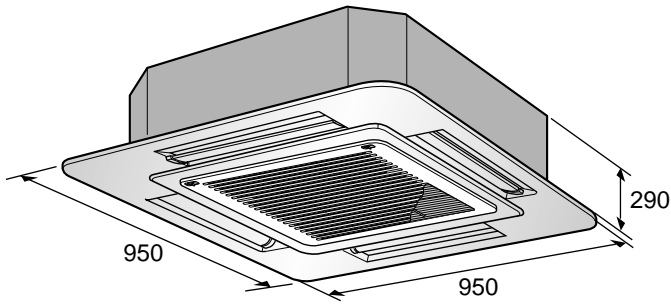
Dimensions

(1) Indoor Unit

- Model : LT-E1860RJ/RH, LT-E2460RJ/RH

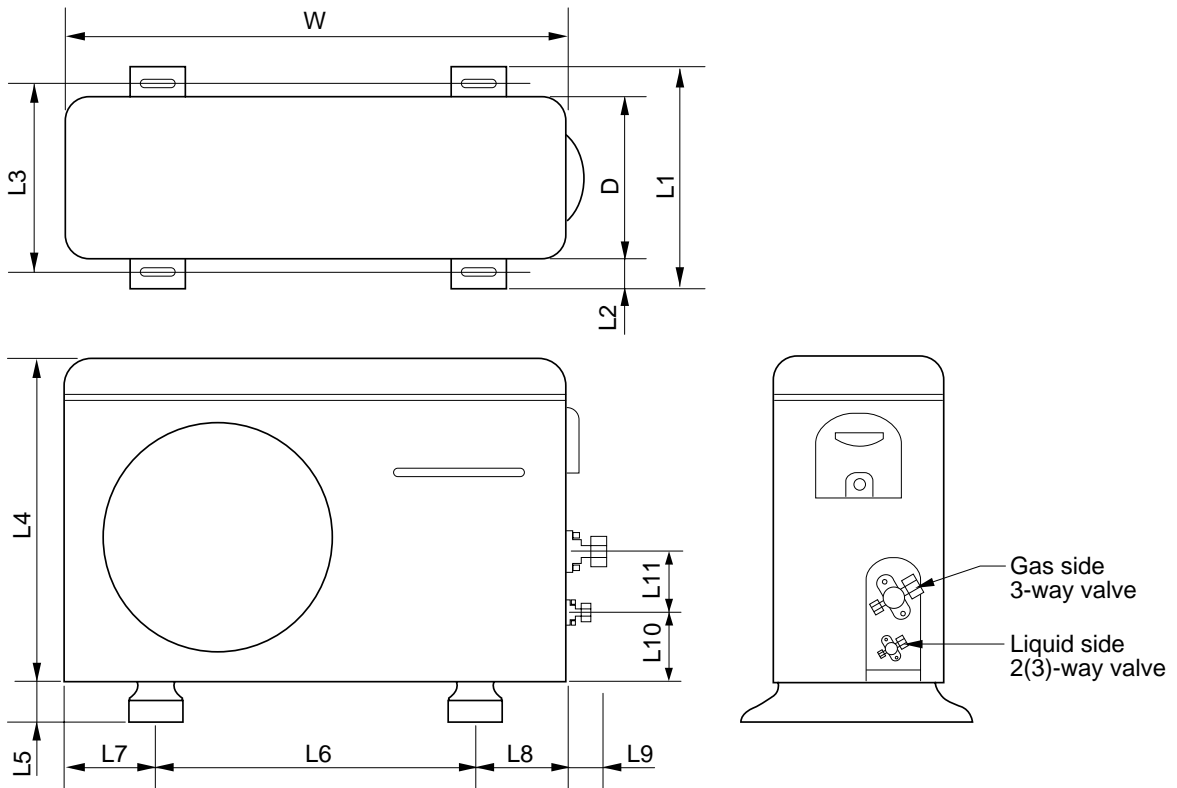


- Model : LT-D3680RJ/RH, LT-D3680FJ/FH
LT-D4880RJ/RH, LT-D4880FJ/FH



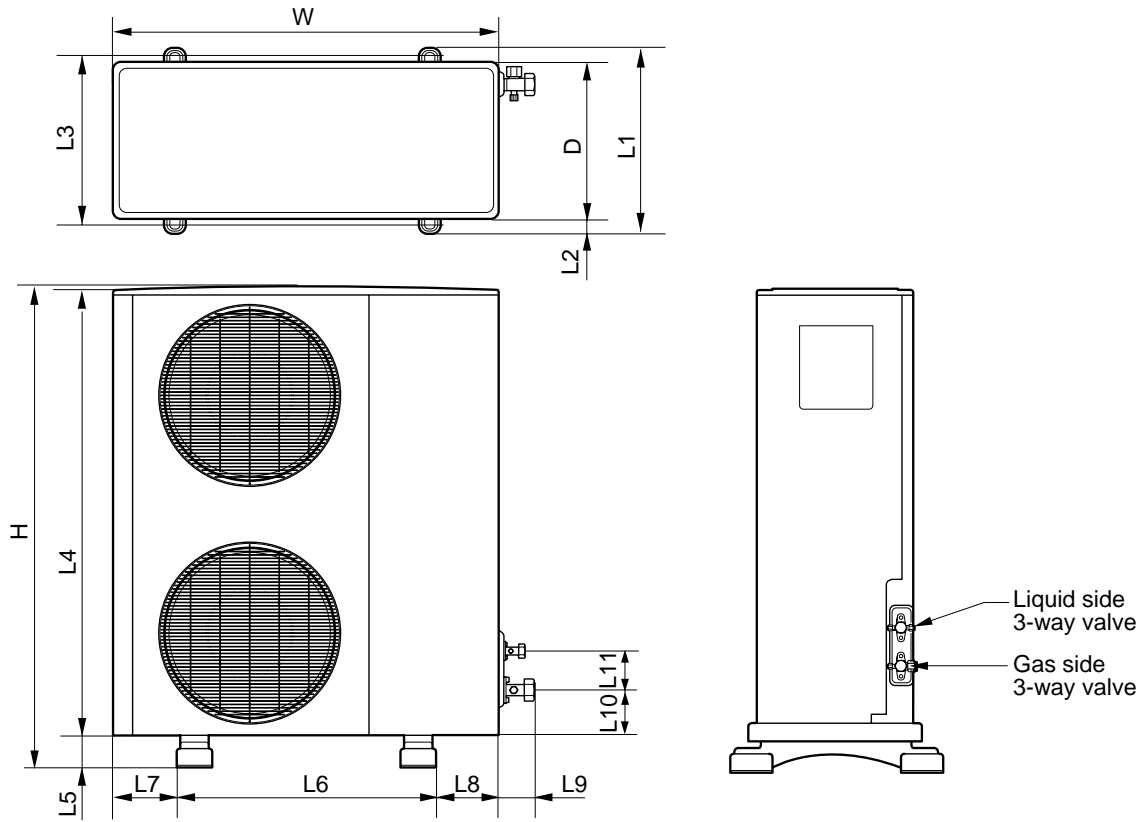
(2) Outdoor Unit

- Model : LT-E1860RJ/RH, LT-E2460RJ/RH
LT-D3680RJ/RH, LT-D3680FJ/FH



DIM \ MODEL		LT-E1860RJ/RH LT-E2460RJ/RH	LT-D3680RJ/RH LT-D3680FJ/FH
W	mm	870	870
H	mm	655	800
D	mm	320	320
L1	mm	370	370
L2	mm	25	25
L3	mm	340	340
L4	mm	630	630
L5	mm	25	25
L6	mm	546	546
L7	mm	162	162
L8	mm	162	162
L9	mm	54	54
L10	mm	74.5	74.5
L11	mm	79	79

• Model : LT-D4880RJ/RH, LT-D4880FJ/FH

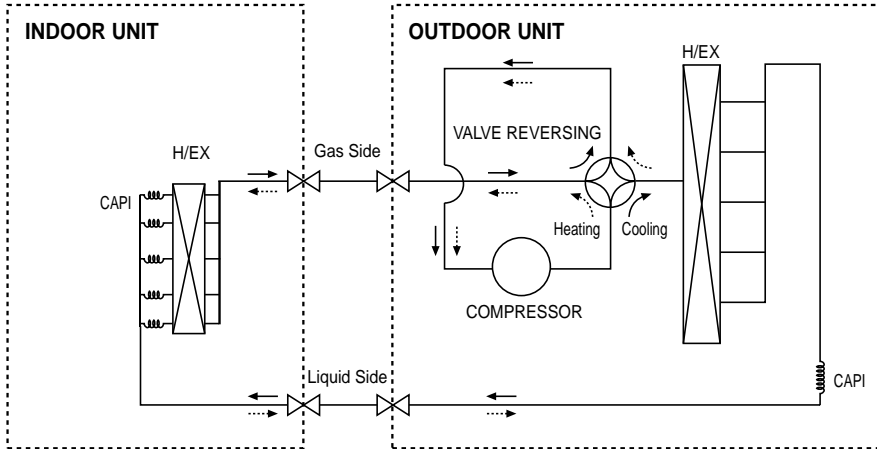


Model		LT-D4880RJ/RH
Dimension		LT-D4880FJ/FH
W	mm	900
H	mm	1225
D	mm	370
L1	mm	460
L2	mm	45
L3	mm	410
L4	mm	1135
L5	mm	90
L6	mm	550
L7	mm	175
L8	mm	175
L9	mm	112
L10	mm	120
L11	mm	83

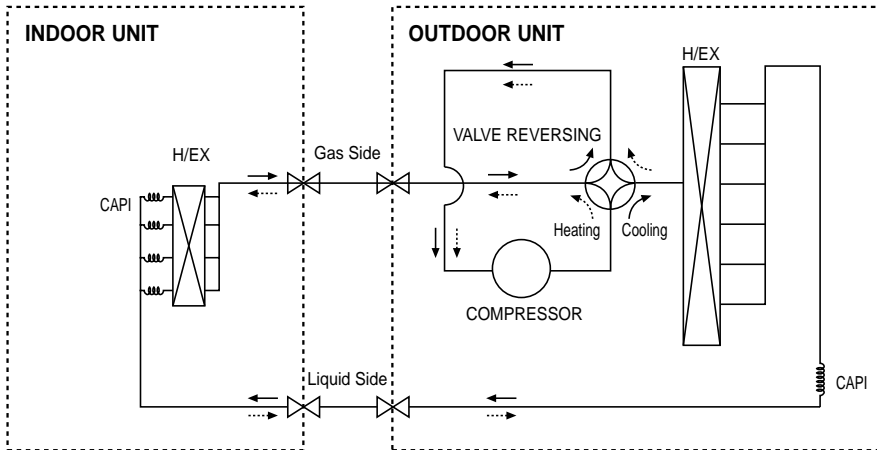
Refrigeration Cycle Diagram

- HEAT PUMP

18K/24K

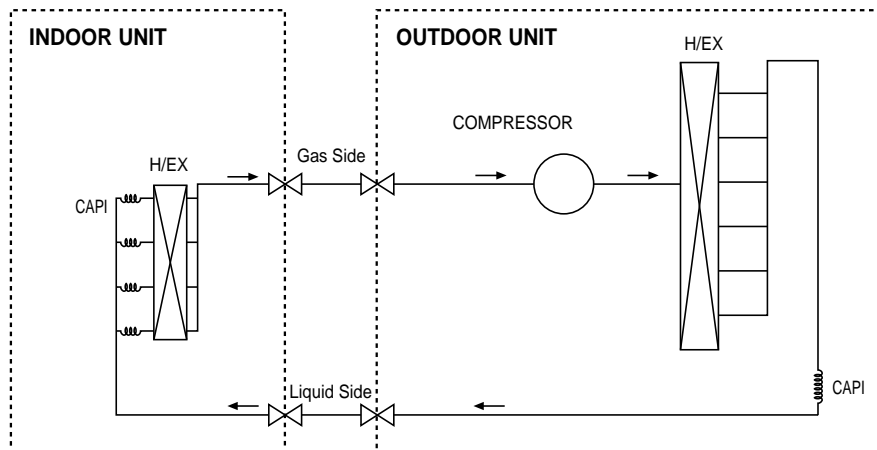


36K/48K



- COOLING ONLY

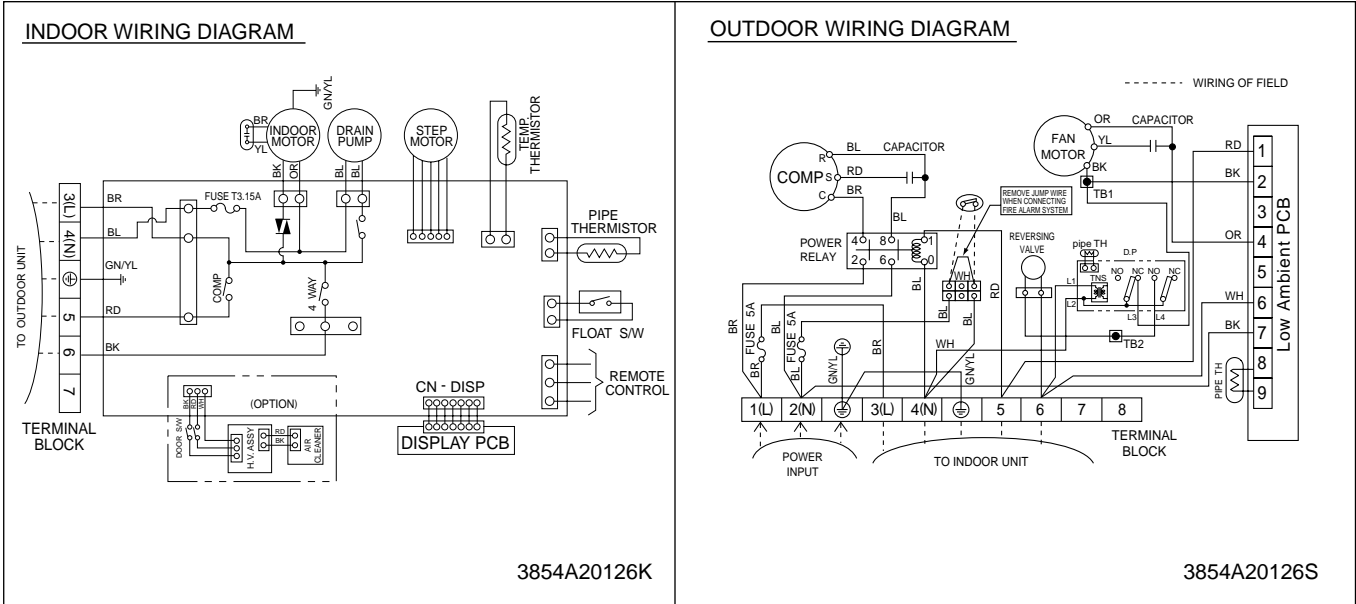
36K/48K



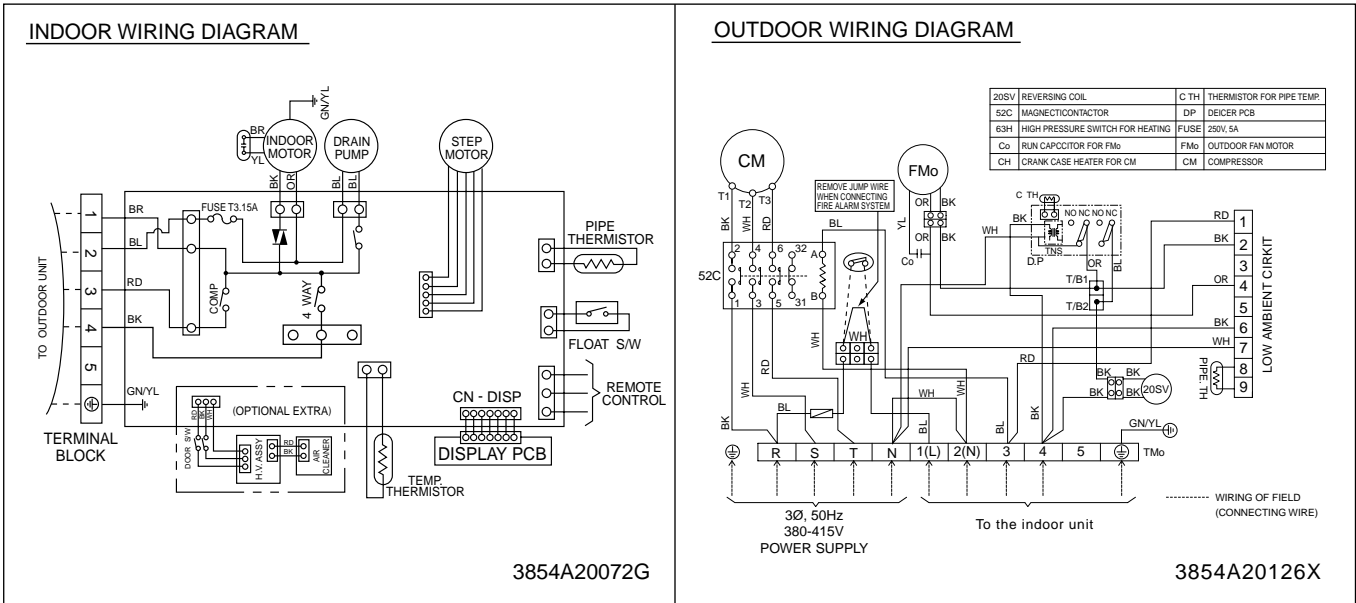
Wiring Diagram

• HEAT PUMP

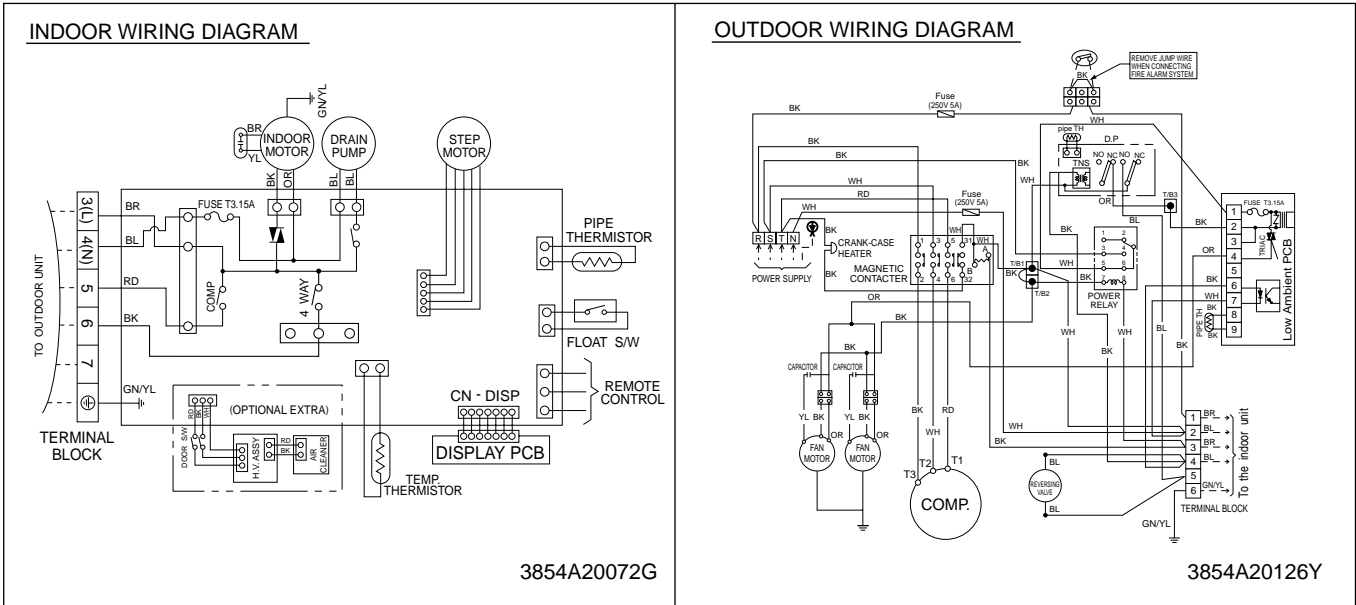
Model No.: LT-E1860RJ/RH, LT-E2460RJ/RH



Model No.: LT-D3680RJ/RH

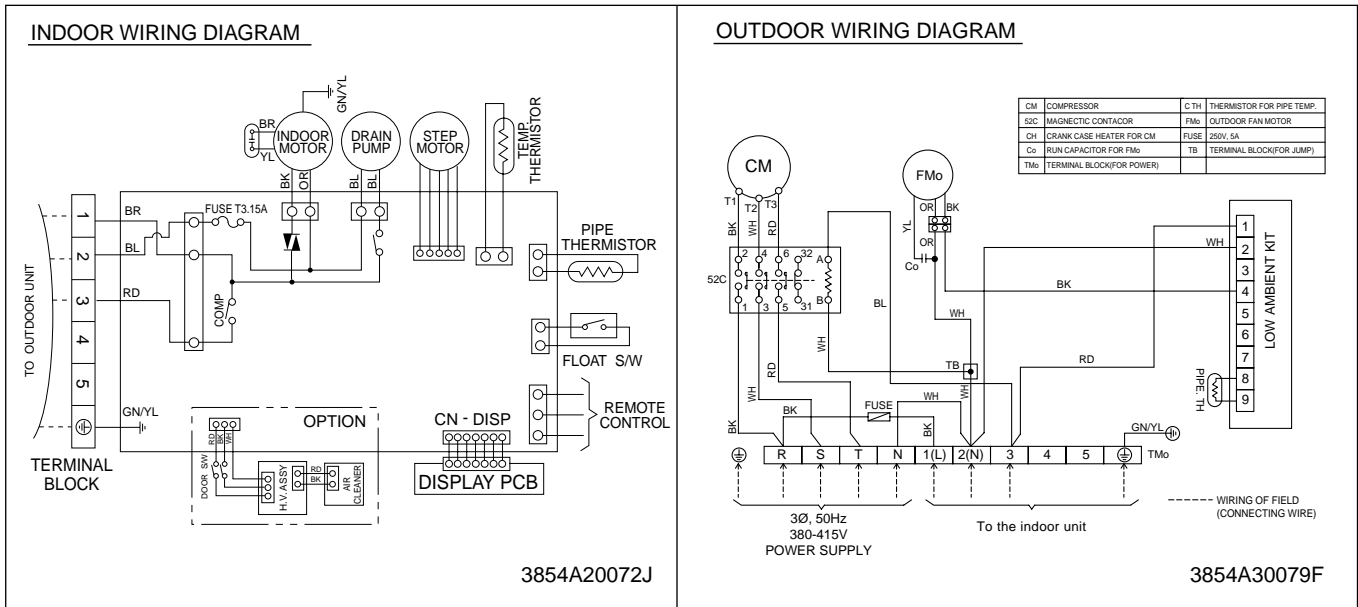


Model No.: LT-D4880RJ/RH

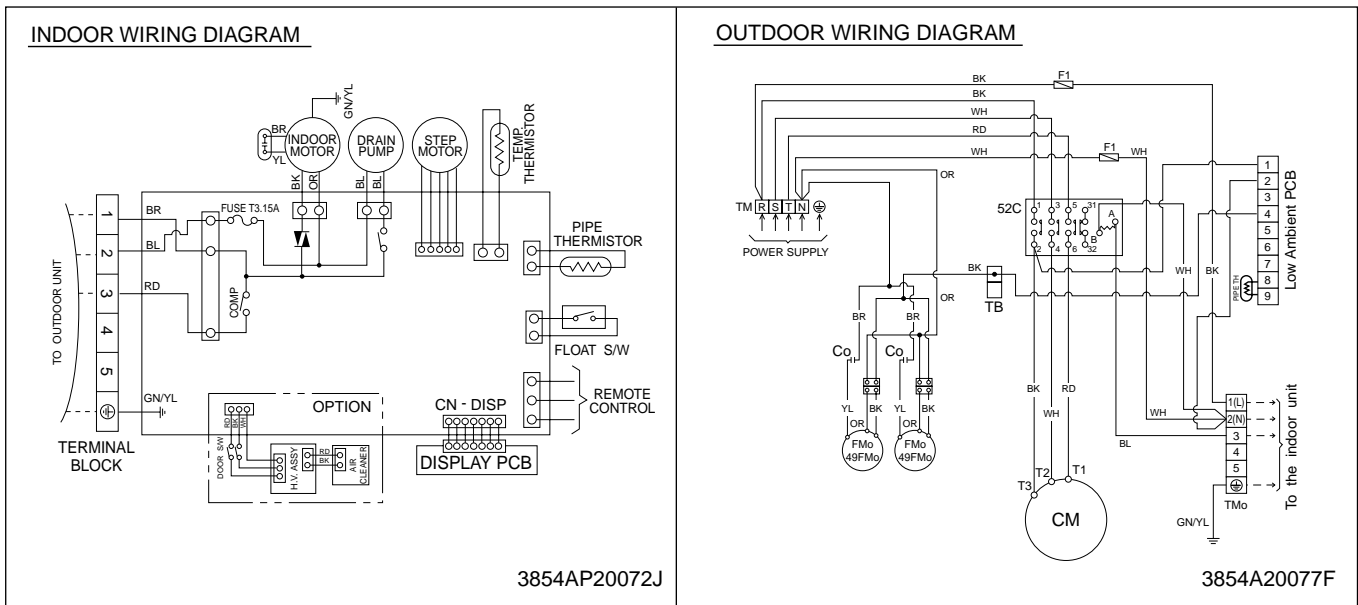


• **COOLING ONLY**

Model No.: LT-D3680FJ/FH



Model No.: LT-D4880FJ/FH



Operation Details

(1) The function of main control

1. Time Delay Safety Control

- 3min... The compressor is ceased for 3minutes to balance the pressure in the refrigeration cycle.
(Protection of compressor)
- 5sec... Vertical louvers are delayed for 5 secs to be opened to prevent the frictional sound between louver and air flow.
- 30sec... The 4-way valve is ceased for 30sec. to prevent abnormal noise when the Heating operation is OFF or switched to the other operation mode while compress is off.
While compressor is running, it takes 3~5 seconds to switch.

2. Auto Swing Control

- This function is to swing the louver up and down automatically.

3. Air-Filter Checking Control

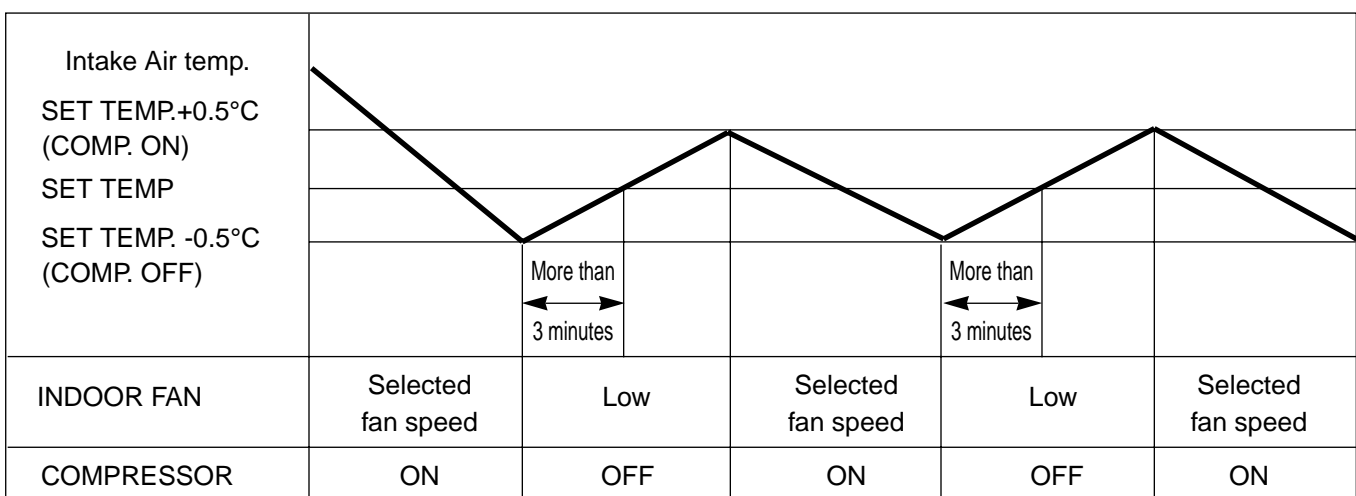
- 'Filter' sign will appear on the remote controller display and main body display when an air-filter is polluted. Then clean the air-filter referring to Owners Manual.

4. Soft-Dry Operation

- The indoor fan speed is automatically set to the low, and fan speed control is not available because of already being set to the best speed for Dry Operation by Micom Control.

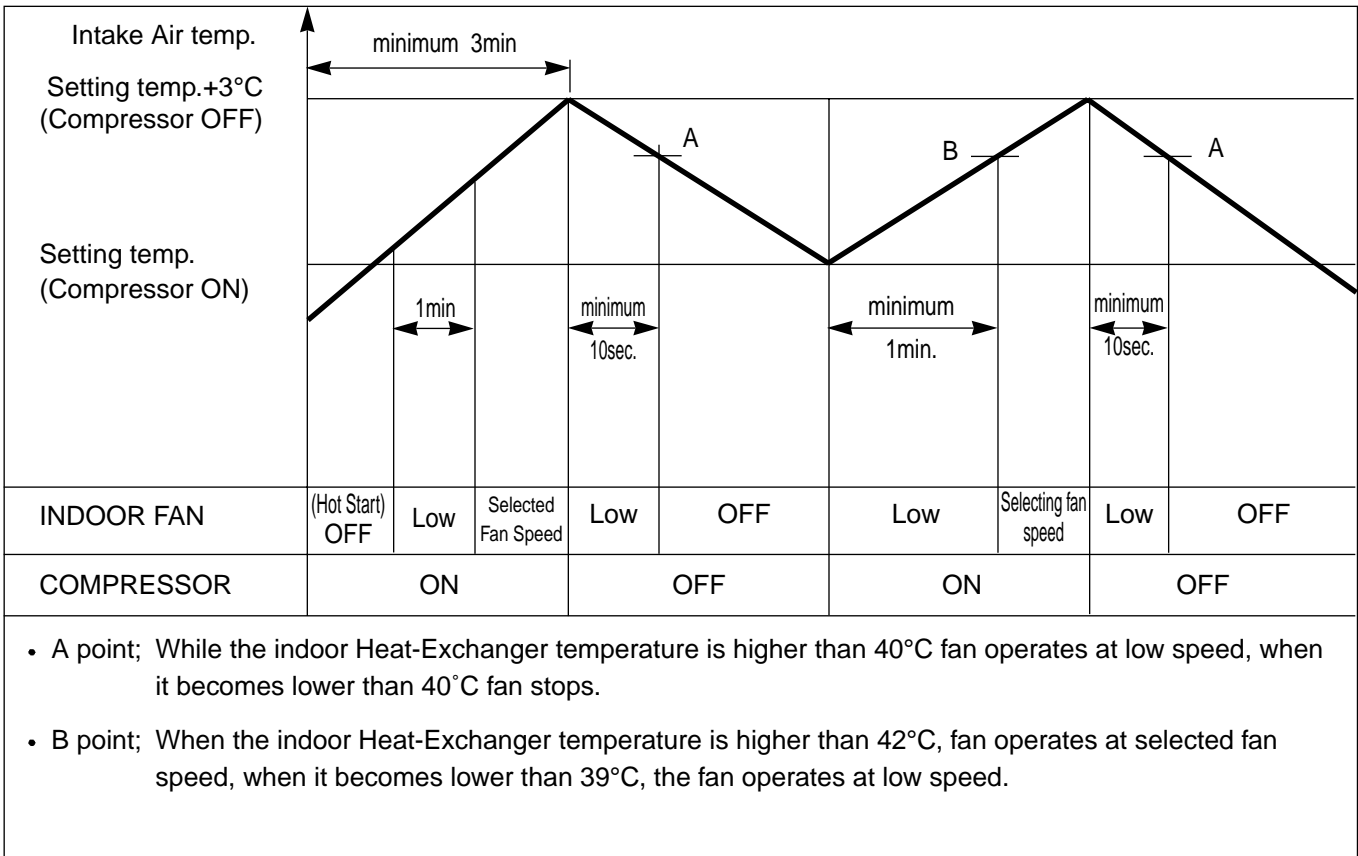
5. Cooling Mode Operation

- When selecting the Cooling(✳) Mode Operation, the unit will operate according to the setting by the remote controller and the operation diagram is as follows.



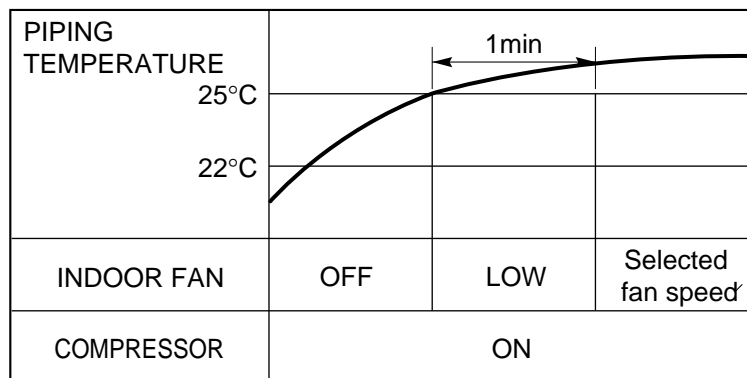
6. Heating Mode Operation

The unit will operate according to the setting by the remote controller and the operation diagram is shown as follows.



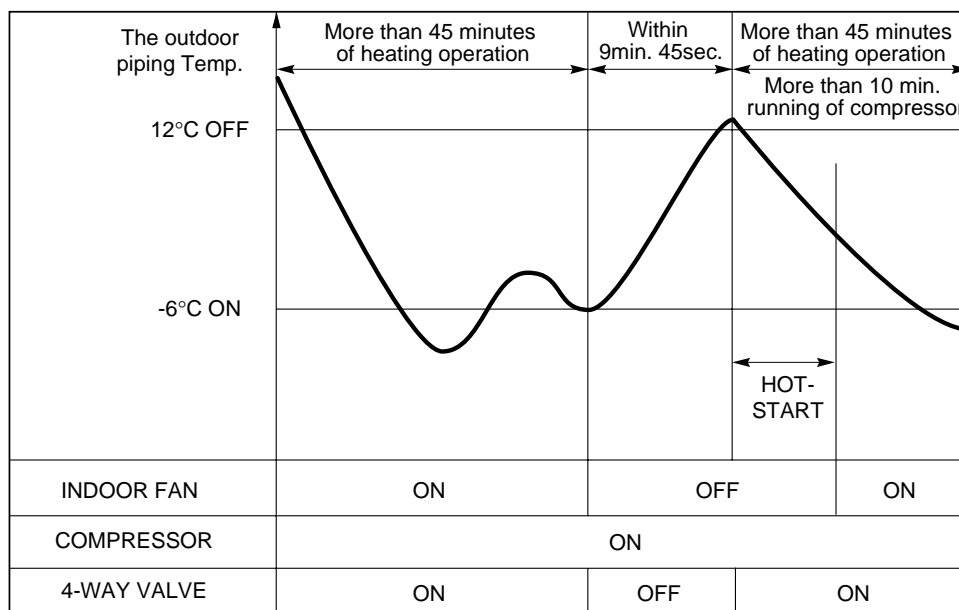
7. Hot-Start Control

- The indoor fan stops until the evaporator piping temperature reaches to 25°C.
- If the evaporator piping temperature drops below 22°C, indoor fan stops again.
- The operation diagram is as follows.



8. Defrost Control

- Defrost control is available 45 minutes later since heating mode operation started, and it will not prolong over 10 minutes.
- Defrost control is carried out when the outdoor pipe temp. falls below -6°C for more than 3 minutes after 45 minutes passed from starting of heating operation.
- Defrost ends after 10 minutes passed from starting of defrost operation or when the outdoor pipe temp. rises over 12°C after 5 minutes passed from starting of defrost.



■ Defrost Control (New Type Defrost Control)

- While in heating mode operation in order to protect the evaporator pipe of the outdoor unit from freezing, reversed to cooling cycle to defrost the evaporator pipe of the outdoor unit.
- Defrost control is available 45 min. later since heating mode operation started, and it will not prolong over 10 min.
- Defrost control is carried out according to the following priority order while in heating mode operation.
 - 1st priority : Defrost control is carried out according to the indoor pipe temp 60 min. later since heating mode operation started.
 - 2nd priority : The temp differences between the indoor pipe temp and the intake air temp 25 min. later ($\Delta T1$) and 45 min. later ($\Delta T2$) since heating mode operation started are measured, then defrost control is carried out according to the difference ($\Delta T = \Delta T1 - \Delta T2$)
 - 3rd priority : Defrost control is carried out according to the temp difference ($E = TE1 - TE2$) between the indoor pipe temperatures of 25 min later ($TE1$) and 45 min later ($TE2$) after heating mode operation started.
- When the indoor pipe temp is 41°C or above, defrost control is not carried out even if the condition is one of the defrost conditions above.
- While in defrost control, the compressor is on and the indoor fan, the outdoor fan, and the 4 way valve are off.

9. Self-diagnosis Function

- 'CHECK' will flash in the remote controller display when a problem occurs.
- Correct the 'FAULT MESSAGES' as shown in the table below before restarting operation.
- During the normal operation 'CHECK' won't be displayed in the remote controller.

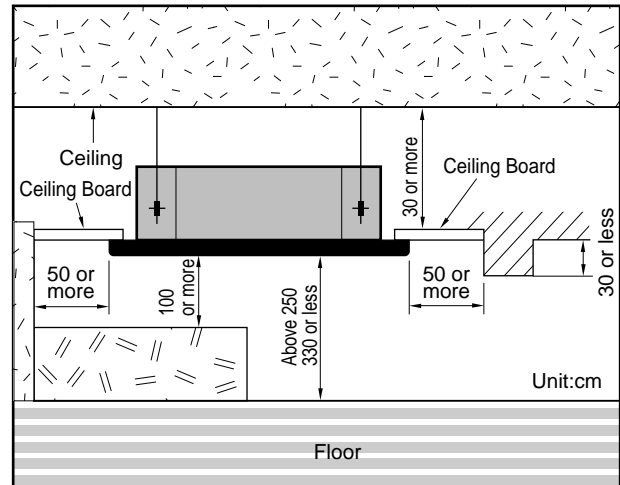
Remote controller LCD	FAULT MESSAGES
CH 01	Indoor room temperature thermistor error
CH 02	Indoor piping thermistor error
CH 03	Indoor main body / Remote controller unit communication error
CH 04	Water level float switch error

Installation of Indoor, Outdoor Unit

1. Selection of the best location

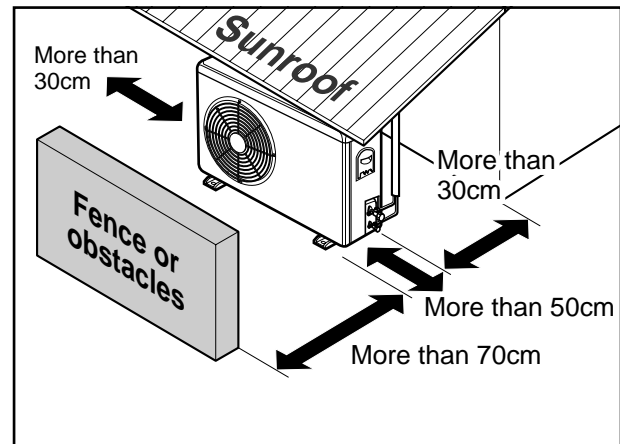
1) Indoor unit

- There should not be any heat source or steam near the unit.
- There should not be any obstacles to the air circulation.
- A place where air circulation in the room will be good.
- A place where drainage can be easily obtained.
- A place where noise prevention is taken into consideration.
- Do not install the unit near the door way.
- Ensure the spaces indicated by arrows from the wall, ceiling, or other obstacles.
- The indoor unit must have the maintenance space around.



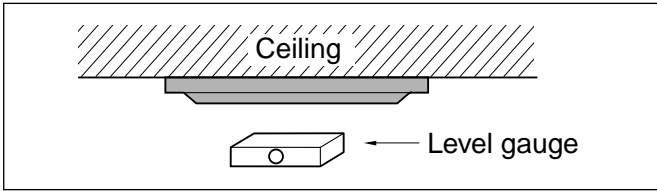
2) Outdoor unit

- If an awning is built over the unit to prevent direct sunlight or rain exposure, be careful that heat radiation from the condenser is not restricted.
- There should not be any animals or plants which could be affected by hot air discharged.
- Ensure the spaces indicated by arrows from the wall, ceiling, fence or other obstacles.



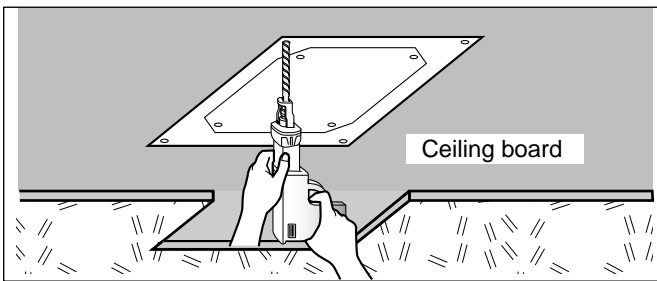
2. Ceiling opening dimensions and hanging bolt location

- The dimensions of the paper model for installing are the same as those of the ceiling opening dimensions.



CAUTION

- This air-conditioner uses a drain pump.
- Install the unit horizontally using a level gauge.
- During the installation, care should be taken not to damage electric wires.



- Select and mark the position for fixing bolts and piping hole.
- Decide the position for fixing bolts slightly tilted to the drain direction after considering the direction of drain hose.
- Drill the hole for anchor bolt on the wall.

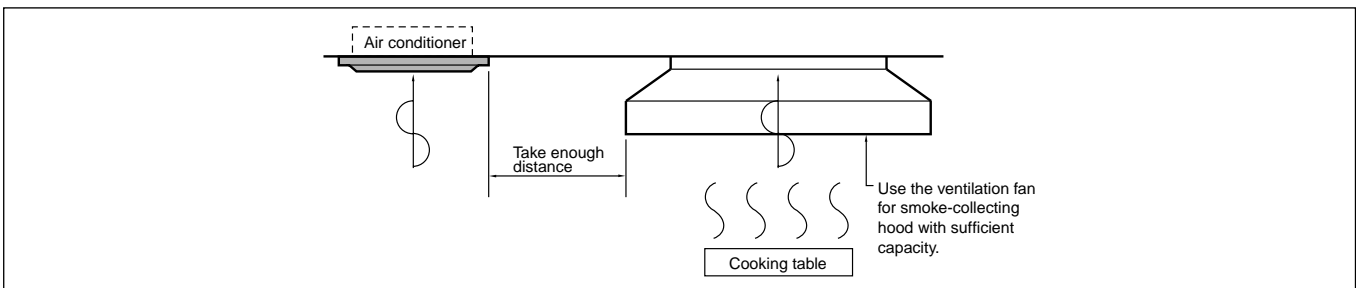
NOTE:

- Avoid the following installation location.

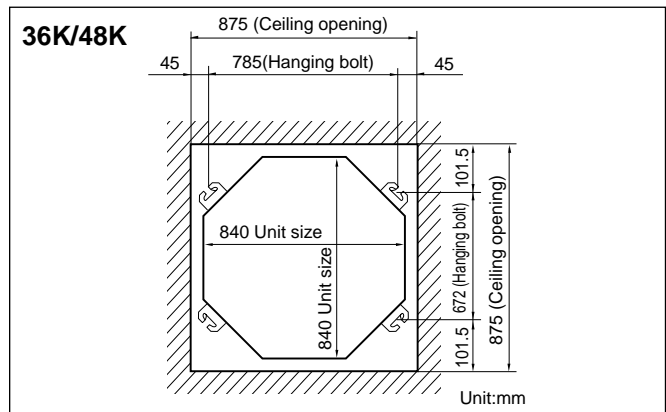
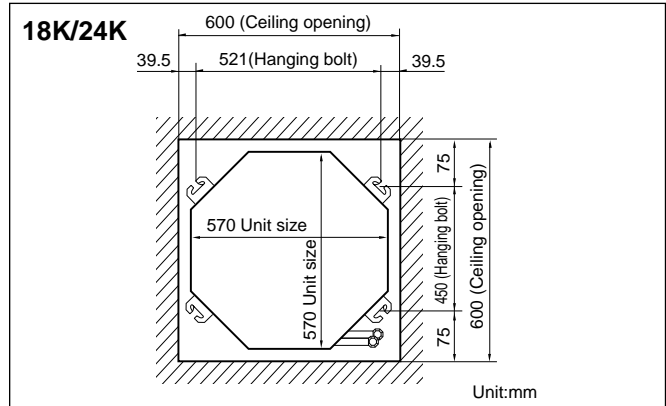
1. Such places as restaurants and kitchen where considerable amount of oil steam and flour is generated. These may cause heat exchange efficiency reduction, or water drops, drain pump mal-function.

In these cases, take the following actions;

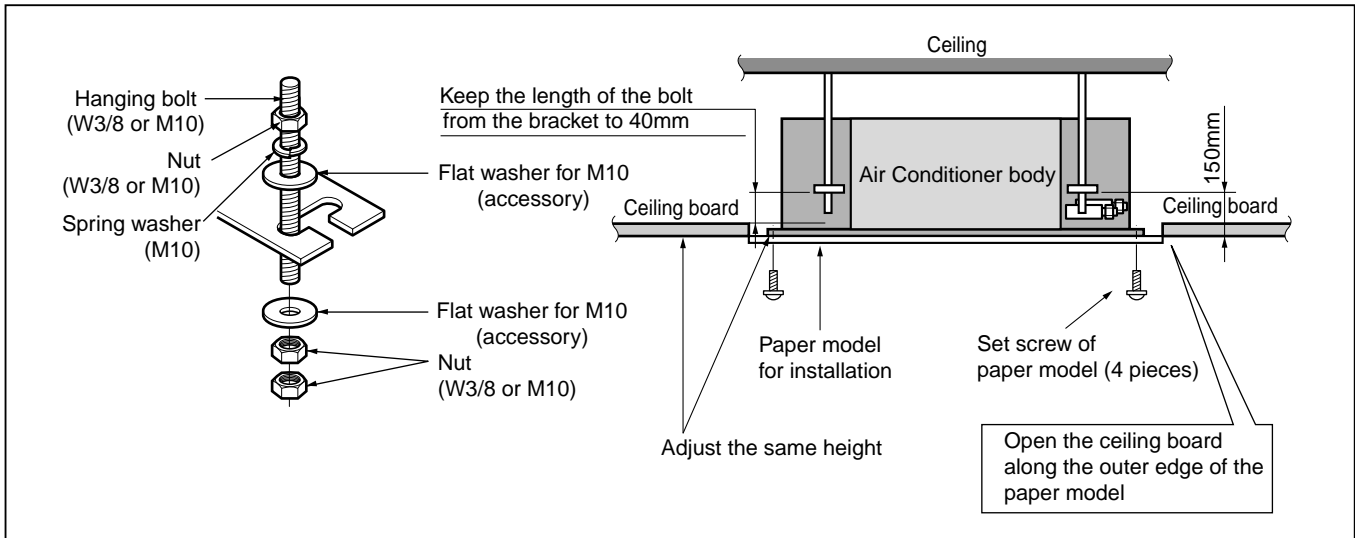
- Make sure that ventilation fan is enough to cover all noxious gases from this place.
- Ensure enough distance from the cooking room to install the air conditioner in such a place where it may not suck oily steam.



2. Avoid installing air conditioner in such places where cooking oil or iron powder is generated.
3. Avoid places where inflammable gas is generated.
4. Avoid place where noxious gas is generated.
5. Avoid places near high frequency generators.



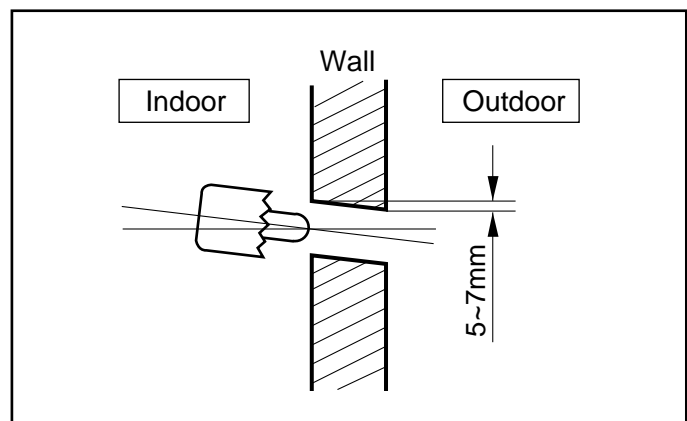
3. The Indoor Unit Installation



• The following parts are local purchasing.

- ① Hanging Bolt - W 3/8 or M10
- ② Nut - W 3/8 or M10
- ③ Spring Washer - M10
- ④ Plate Washer - M10

• Drill the piping hole on the wall slightly tilted to the outdoor side using a $\varnothing 70$ hole-core drill.



CAUTION

- Tighten the nut and bolt to prevent unit from falling off.

4. Remote Controller Installation

• Although the room temperature sensor is in the indoor unit, the remote controller should be installed in such places away from direct sunlight and high humidity.

Installation of the remote controller

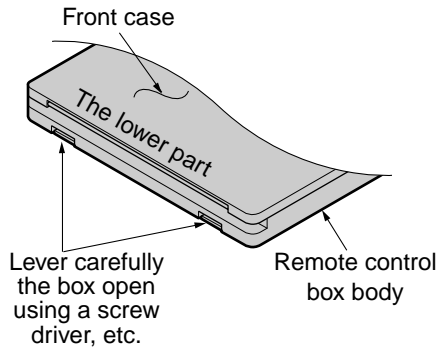
- Select places that are not splashed with water.
- Select control position after receiving customer approval.
- The room temperature sensor is built in the indoor unit.
- This remote controller equipped with liquid crystal display. If this position is higher or lower, display is difficult to see. (The standard height is 1.2 ~ 1.5m high)

Routing of the remote controller cord

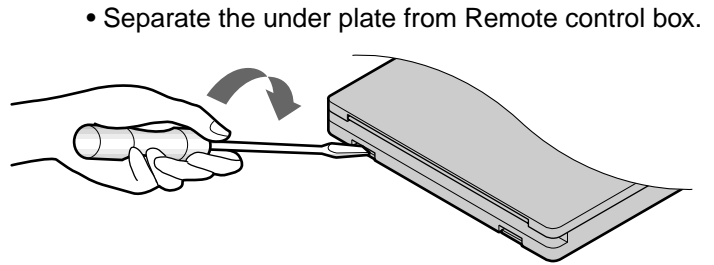
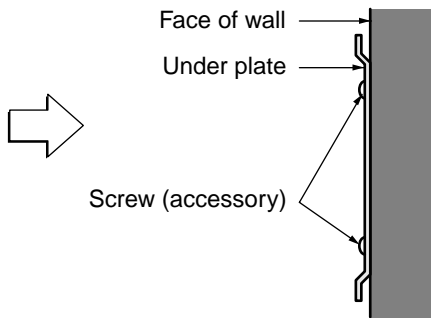
- Keep the remote controller cord away from the refrigerant piping and the drain piping.
- To protect the remote controller cord from electrical noise, place the cord at least 5cm away from other power cables (audio equipment, television set, etc.)
- If the remote controller cord is secured to the wall, provide a trap at the top of the cord to prevent water droplets from running to the controller.

WIRED REMOTE CONTROL INSTALLATION

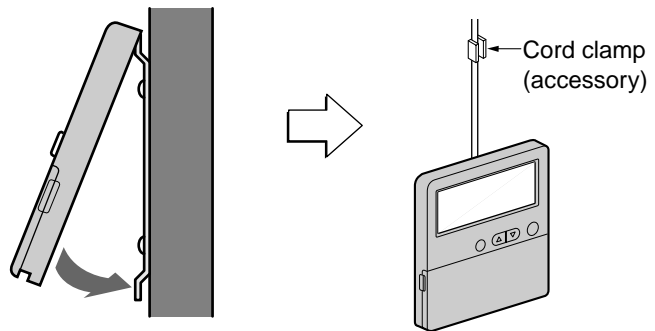
DISASSEMBLING



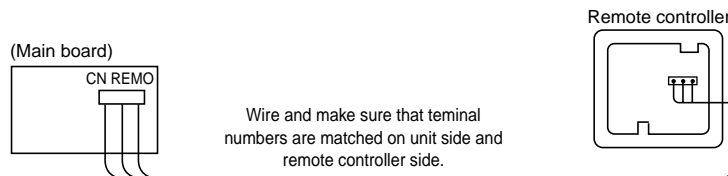
- Fix the under plate on the wall



- Fix the cord clamps on the wall by $\varnothing 3$ tapping screws (accessory).
- Fix the remote control cord.



ELECTRICAL WIRING

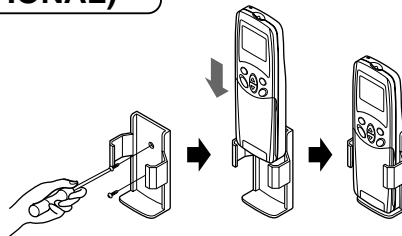


Wire and make sure that terminal numbers are matched on unit side and remote controller side.

The maximum length of the cord is 100m.
If the length of the cord exceeds 50m,
use a wire size greater than 0.5mm^2 .

REMOTE CONTROL PREPARATION(OPTIONAL)

HOW TO MOUNT ON A WALL



HOW TO INSERT BATTERIES

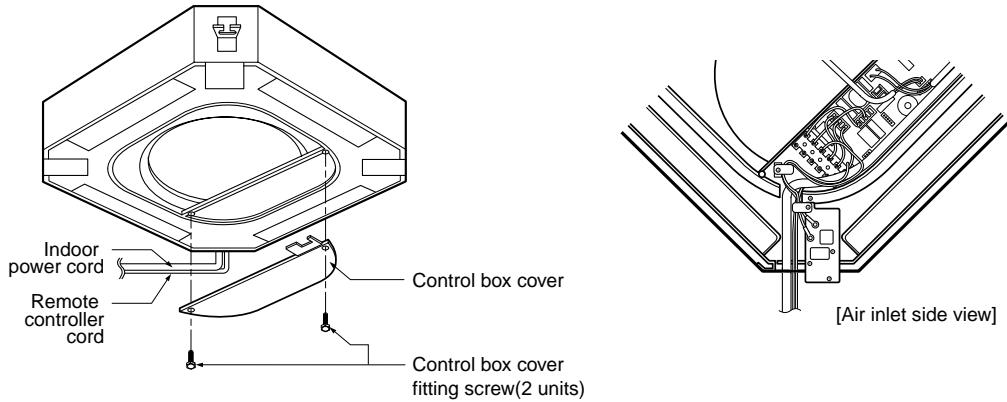
- 1 Remove the battery cover from the remote controller.
 - Slide the cover according to the arrow direction.
- 2 Insert the two batteries.
 - Be sure that the (+) and (-) directions are correct.
 - Be sure that both batteries are new.
- 3 Re-attach the cover.
 - Slide it back into position.



- Do not use rechargeable batteries, such batteries differ from standard dry cells in shape, dimensions, and performance.
- Remove the batteries from the remote controller if the air conditioner is not going to be used for some long time.

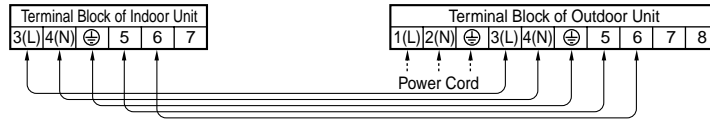
5. Wiring Connection

- Open the control box cover and connect the Remote controller cord and Indoor power wires.

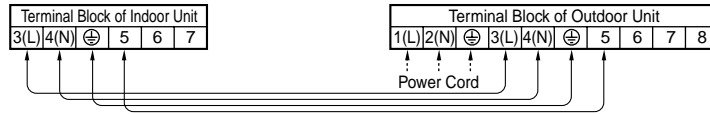


• 18K/24K, 1 Phase

Heat Pump Model

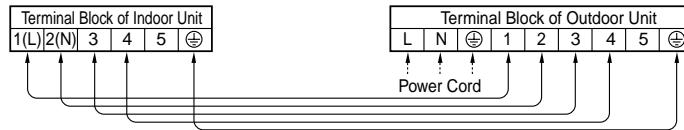


Cooling Model

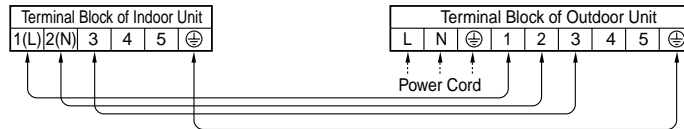


• 36K/48K, 3 Phase

Heat Pump Model

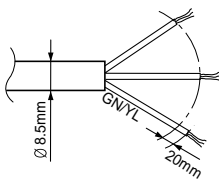


Cooling Model

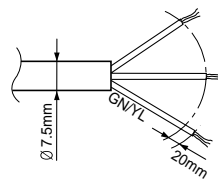


CAUTION

The power cord connected to the outdoor unit should be complied with the following specifications (Rubber insulation, type H05RN-F approved by HAR or SAA).



**NORMAL
CROSS-SECTIONAL
AREA 2.5mm² (18K/24K/36K)
3.5mm² (48K)**



**NORMAL
CROSS-SECTIONAL
AREA 0.75mm²**

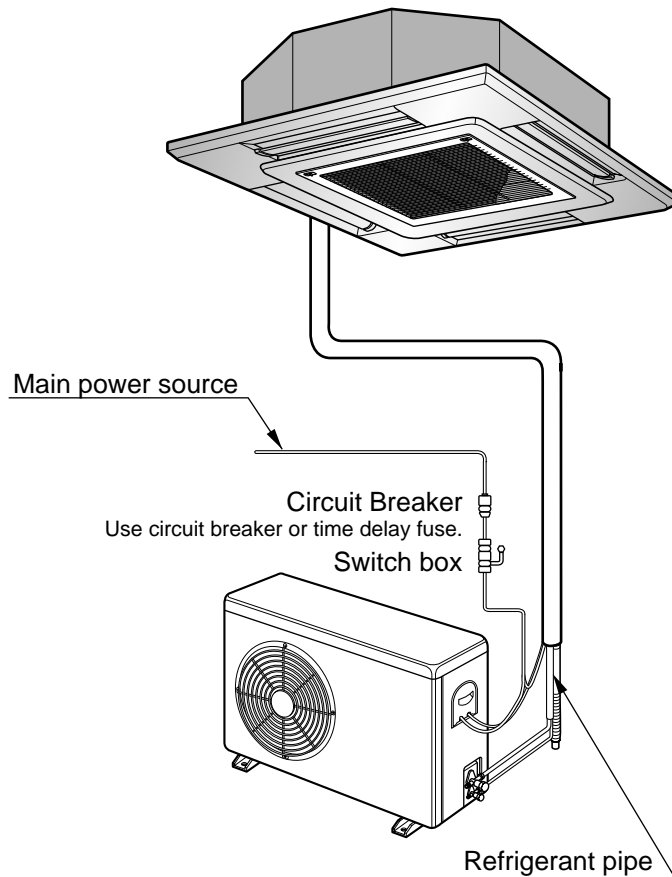
If the supply cord is damaged, it must be replaced by a special cord or assembly available from the manufacturer or its service agent.

WARNING

Make sure that the screws of the terminal are free from looseness.

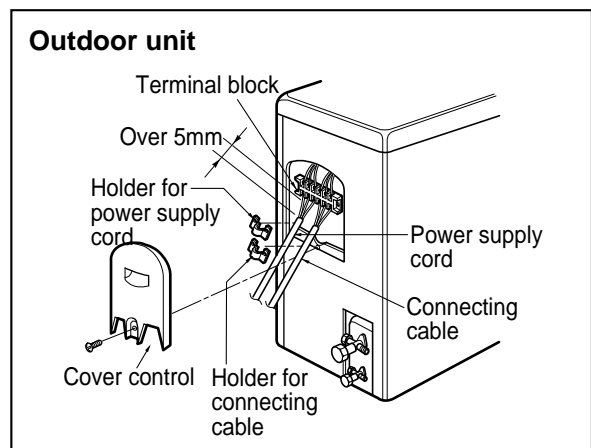
ELECTRICAL WIRING

1. All wiring must comply with LOCAL REGULATIONS.
2. Select a power source that is capable of supplying the current required by the air conditioner.
3. Feed the power source to the unit via a distribution switch board designed for this purpose.
4. The terminal screws inside the control box may be loose due to vibration during transport.
Check the screws for loose connection.
(Running the air conditioner with loose connection can overload and damage electrical components.)
5. Always ground the air conditioner with a grounding wire and connector to meet the LOCAL REGULATION.



CONNECTING THE CABLE TO OUTDOOR UNIT

1. Remove the Cover control from the unit by loosening a screw.
Connect the wires to the terminals on the control board individually as following.
2. Secure the cable onto the control board with the holder (clammer).
3. Refix the cover control to the original position with the screw.
4. Use a recognized adequate circuit breaker between the power source and the unit. A disconnection device to adequately disconnect all supply lines must be fitted.



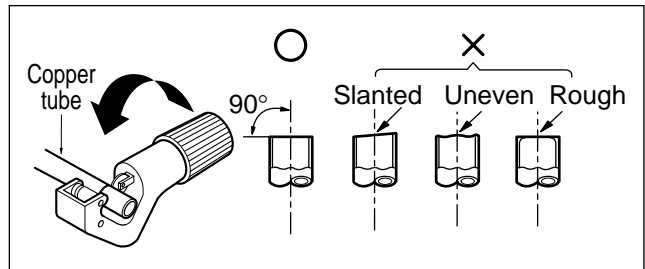
6. Connecting Pipes to the Indoor Unit

• Preparation of Piping

Main cause of gas leakage is defect in flaring work. Carry out correct flaring work in the following procedure.

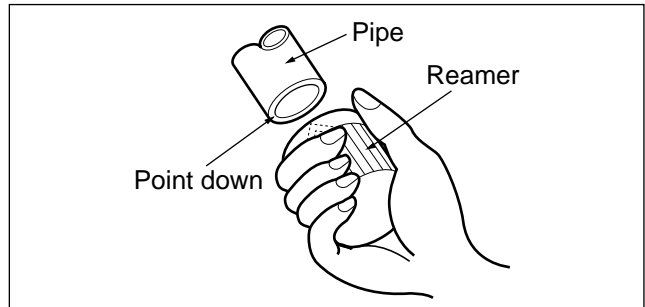
1) Cutting the pipes and the cable

- Use the accessory piping kit or the pipes purchased locally.
- Measure the distance between the indoor and the outdoor unit.
- Cut the pipes a little longer than measured distance.
- Cut the cable 1.5m longer than the pipe length.



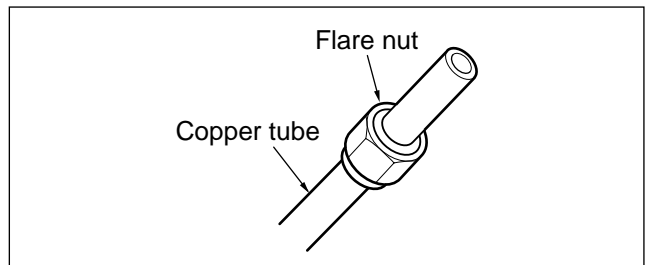
2) Burrs removal

- Completely remove all burrs from the cut cross section of pipe/tube.
- Put the end of the copper tube/pipe to downward direction as you remove burrs in order to avoid to let burrs drop in the tubing.



3) Putting nut on

- Remove flare nuts attached to indoor and outdoor units, than put them on pipe/tube having completed burr removal.
(Not possible to put them on after flaring work)

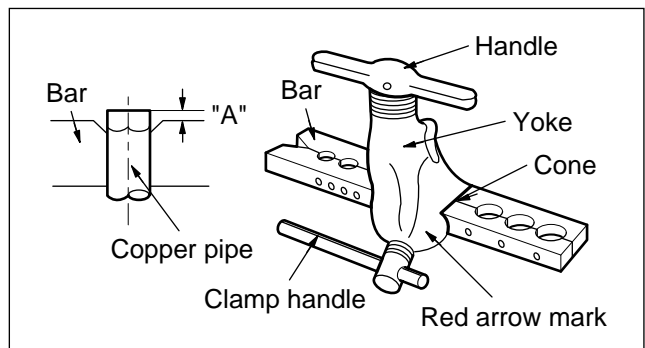


4) Flaring work

- Carry out flaring work using flaring tool as shown below.

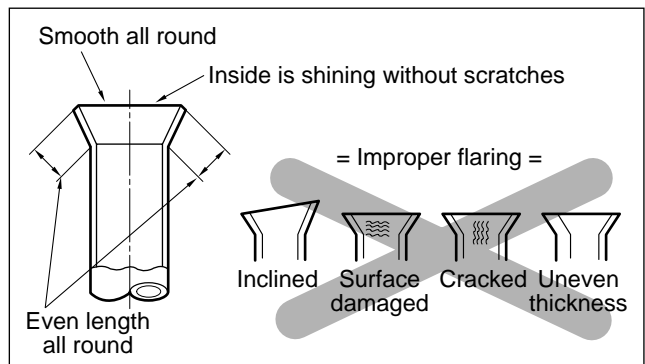
Outside diameter		A
mm	inch	mm
Ø6.35	3/8	0.5~0.8
Ø9.52	3/8	0.5~0.8
Ø12.7	1/2	0.5~0.8
Ø15.88	5/8	0.8~1.0
Ø19.05	3/4	1.0~1.3

Firmly hold copper tube in a bar(or die) as indicated dimension in the table above.



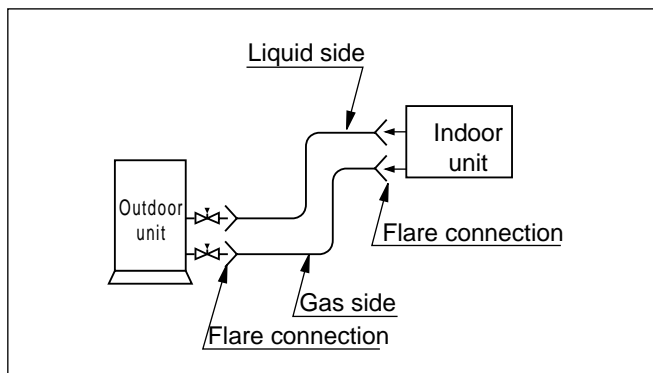
5) Check

- Compare the flared work with figure below.
- If flare is noted to be defective, cut off the flared section and do flaring work again.



Piping Connection

1. Form the piping according to its routing. Avoid bending and bending back the same piping point more than three times. (This will result in hardening of pipe.)
2. After deforming the piping, align centers of the union fitting of the indoor unit and the piping, and tighten them firmly with wrenches.
3. Connect pipe to the service valve or ball valve which is located below the outdoor unit.
4. After completing the piping connection, be sure to check if there is gas leakage in indoor and outdoor connection.



Vacuum drying

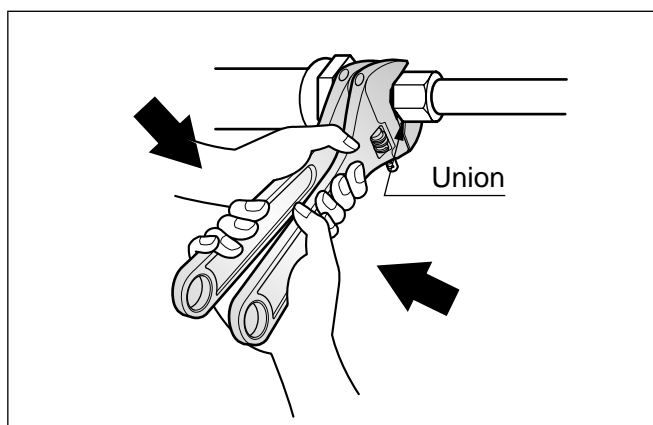
After completing the piping connection, execute vacuum drying for the connecting piping and the indoor unit. The vacuum drying must be carried out using the service ports of both the liquid and gas side valves.

Model	Liquid side piping	Gas side piping
18K Btu/h	Ø 6.35mm	Ø12.7mm
24K Btu/h	Ø 6.35mm	Ø15.88mm
36K Btu/h	Ø 6.35mm	Ø15.88mm
48K Btu/h	Ø 9.52mm	Ø19.05mm

⚠ CAUTION

Use two wrenches and tighten with regular torque.

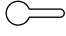
Flare nut fastening torque	
Ø6.35mm	1.8kg·m
Ø9.52mm	4.0kg·m
Ø12.7mm	5.5kg·m
Ø15.88mm	6.6kg·m
Ø19.05mm	6.6kg·m

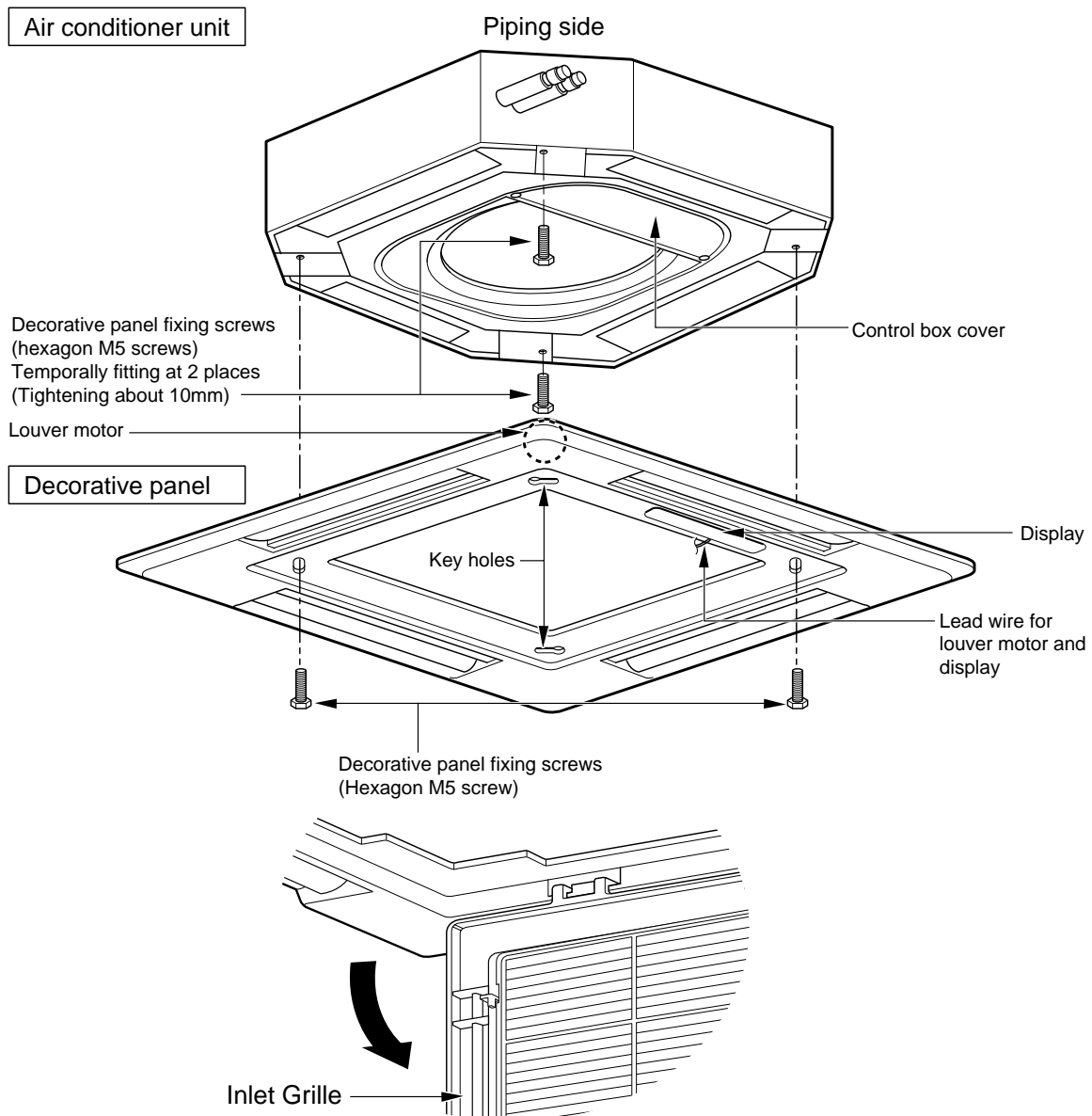


7. Installation of Decorative Panel

The decorative panel has its installation direction.

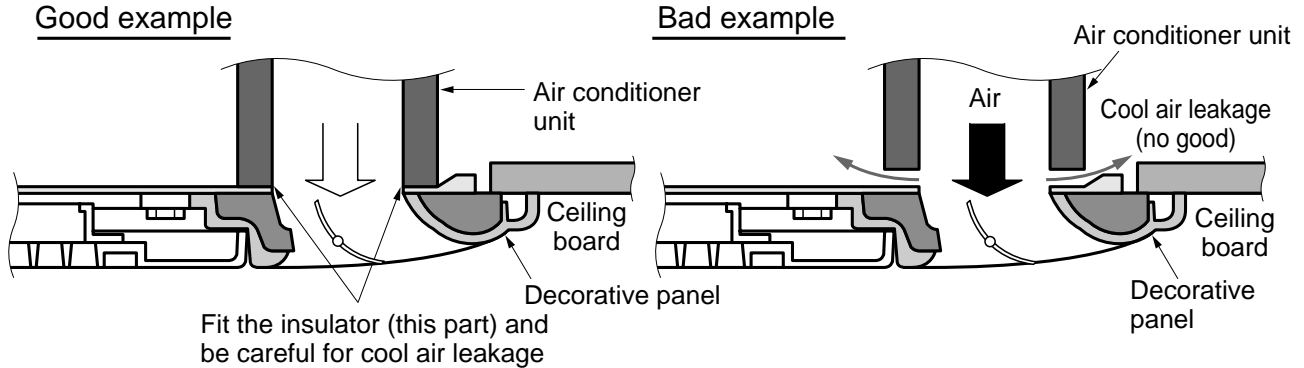
Before installing the decorative panel, always remove the paper template.

1. Temporarily fix two decorative panel fixing screws (hexagon M5 screw) on the unit body. (Tighten by amount 10mm in length.)
The fixing screws (hexagon M5 screw) are included the indoor unit box.
2. Remove the air inlet grille from the decorative panel. (Remove the hook for the air inlet grille cord.)
3. Hook the decorative panel key hole () on the screws fixed in step above, and slide the panel so that the screws reach the key hole edge.
4. Retighten completely two temporarily fixed screws and other two screws. (Total 4 screws)
5. Connect the louver motor connector and display connector.
6. After tightening these screws, install the air inlet grille (including the air filter).



CAUTION

Install certainly the decorative panel.
Cool air leakage causes sweating. ⇨ Water drops fall.



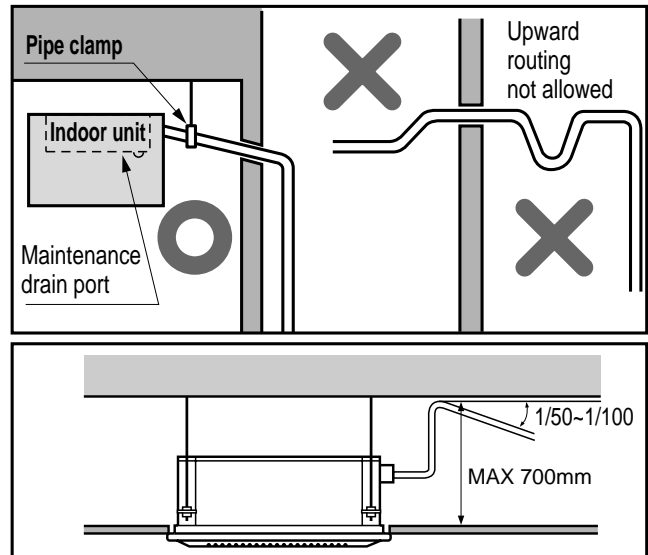
8. Indoor Unit Drain Piping

- Drain piping must have down-slope (1/50 to 1/100): be sure not to provide up-and-down slope to prevent reversal flow.
- During drain piping connection, be careful not to exert extra force on the drain port on the indoor unit.
- The outside diameter of the drain connection on the indoor unit is 32mm.

Piping material: Polyvinyl chloride pipe VP-25 and pipe fittings

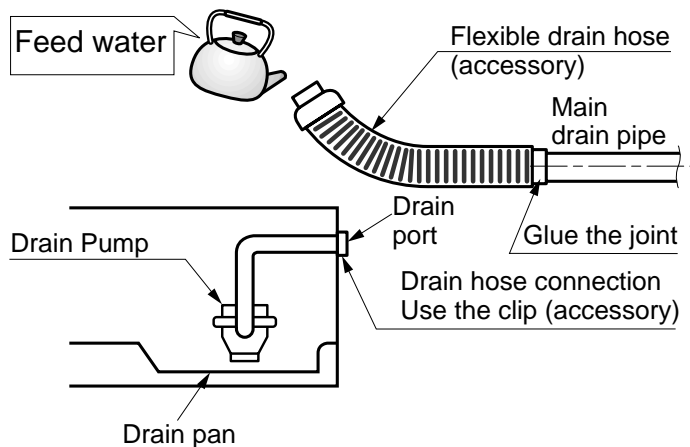
- Be sure to install heat insulation on the drain piping.

Heat insulation material: Polyethylene foam with thickness more than 8 mm.



Drain test

The air conditioner uses a drain pump to drain water.
Use the following procedure to test the drain pump operation:



- Connect the main drain pipe to the exterior and leave it provisionally until the test comes to an end.
- Feed water to the flexible drain hose and check the piping for leakage.
- Be sure to check the drain pump for normal operating and noise when electrical wiring is complete.
- When the test is complete, connect the flexible drain hose to the drain port on the indoor unit.

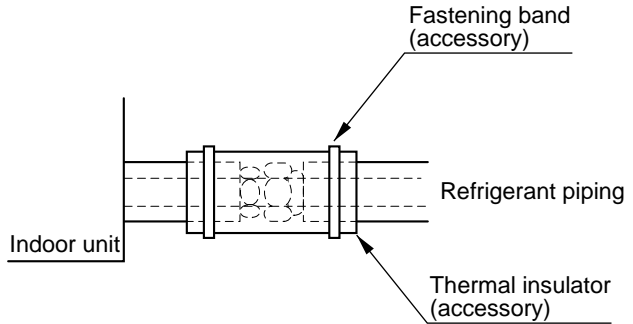
HEAT INSULATION

1. Use the heat insulation material for the refrigerant piping which has an excellent heat-resistance (over 120°C).

2. Precautions in high humidity circumstance:

This air conditioner has been tested according to the "KS Standard Conditions with Mist" and confirmed that there is not any default. However, if it is operated for a long time in high humid atmosphere (dew point temperature: more than 23°C), water drops are liable to fall. In this case, add heat insulation material according to the following procedure:

- Heat insulation material to be prepared... Adiabatic glass wool with thickness 10 to 20mm.
- Stick glass wool on all air conditioners that are located in ceiling atmosphere.
- In addition to the normal heat insulation (thickness: more than 8mm) for refrigerant piping (gas piping: thick piping) and drain piping, add further 10mm to 30mm thickness material.



FORM THE PIPINGS

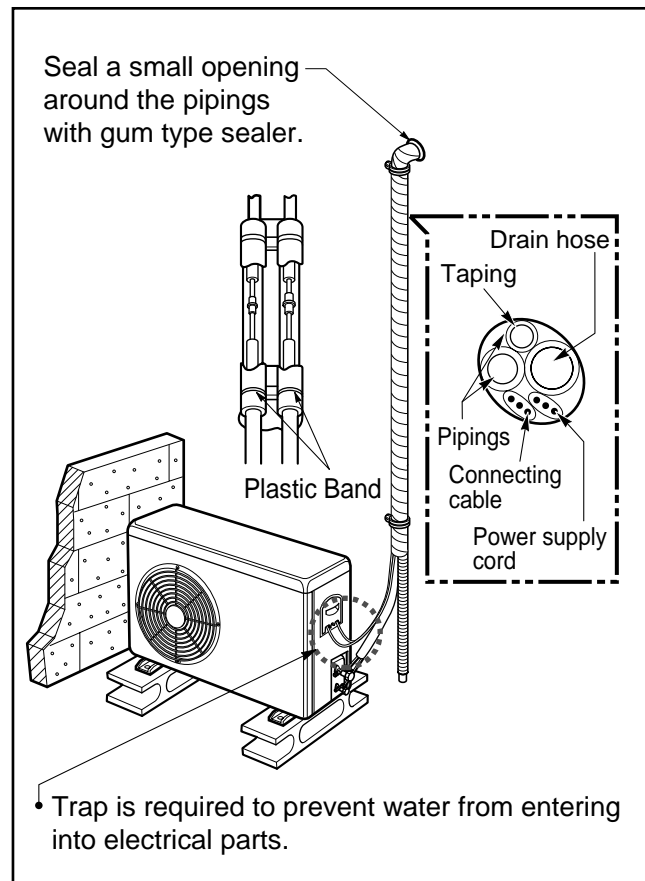
1. Wrap the connecting portion of indoor unit with the Insulation material and secure it with two Plastic Bands. (for the right pipings)

- If you want to connect an additional drain hose, the end of the drain-outlet should keep distance from the ground. (Do not dip it into water, and fix it on the wall to avoid swinging in the wind.)

In case of the Outdoor unit being installed below position of the Indoor unit.

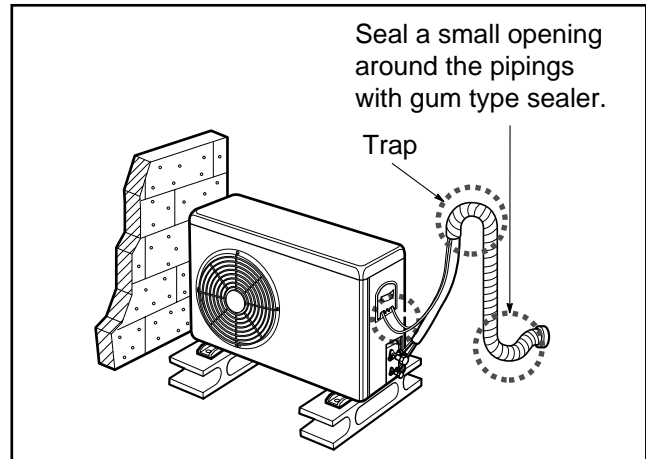
2. Tape the Pipings, drain hose and Connecting Cable from bottom to top.

3. Form the pipings gathered by taping along the exterior wall and fix it onto the wall by saddle or equivalent.



In case of the Outdoor Unit being installed above position of the Indoor Unit.

2. Tape the Pipings and Connecting cable from bottom to top.
3. Form the pipings gathered by taping along the exterior wall, and make the trap prevent water from entering into the room.
4. Fix the pipings onto the wall by saddle or equivalent.



Test running

1) PRECAUTIONS IN TEST RUN

- The initial power supply must provide at least 90% of the rated voltage. Otherwise, the air conditioner should not be operated.

Caution

- ① For test run, carry out the cooling operation first even during winter season. If heating operation is carried out first, it leads to the trouble of compressor.
 - ② Carry out the test run more than 5 minutes without stopping.
(Test run will be cancelled 18 minutes later automatically)
- The test run is started by pressing the room temperature checking button and down timer button for 3 seconds at the same time.
 - To cancel the test run, press any button.

CHECK THE FOLLOWING ITEMS WHEN INSTALLATION IS COMPLETE

- After completing work, be sure to measure and record trial run properties, and store measured data, etc.
- Measuring data are room temperature, outside temperature, suction temperature, blow out temperature, air velocity, air volume, voltage, current, presence of abnormal vibration and noise, operating pressure, piping temperature.
- As to the structure and appearance, check following items.

- Is the circulation of air adequate?
- Is the drainage OK?
- Is the heat insulation complete (refrigerant and drain piping)?
- Is there any leakage of refrigerant?

- Does the remote controller works properly?
- Is there any error on wiring?
- Aren't terminal screws loosened?

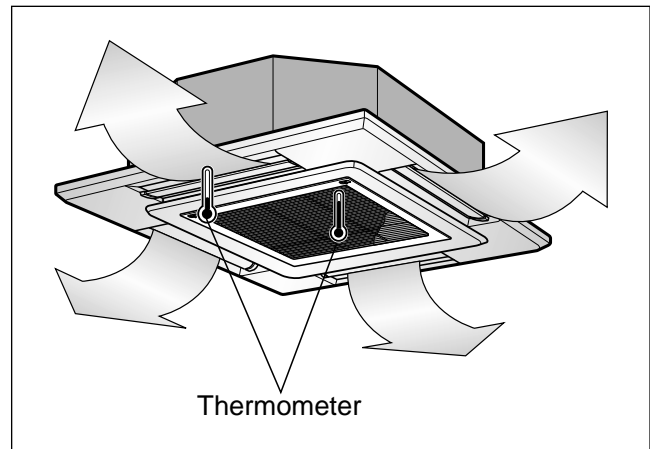
M4.....118N.cm{12kgf.cm} M5.....196N.cm{20kgf.cm}
M6.....245N.cm{25kgf.cm} M8.....588N.cm{60kgf.cm}

2) Connection of power supply

1. Connect the power supply cord to the independent power supply.
 - Circuit breaker is required.
2. Operate the unit for fifteen minutes or more.

3) Evaluation of the performance

1. Measure the temperature of the intake and discharge air.
2. Ensure the difference between the intake temperature and the discharge one is more than 8°C (Cooling) or reversely (Heating).



CAUTION

After the confirmation of the above conditions, prepare the wiring as follows:

- 1) **Never fail to have an individual power specialized for the air conditioner. As for the method of wiring, be guided by the circuit diagram pasted on the inside of control box cover.**
- 2) **Provide a circuit breaker switch between power source and the unit.**
- 3) **The screw which fasten the wiring in the casing of electrical fittings are liable to come loose from vibrations to which the unit is subjected during the course of transportation. Check them and make sure that they are all tightly fastened. (If they are loose, it could give rise to burn-out of the wires.)**
- 4) **Specification of power source**
- 5) **Confirm that electrical capacity is sufficient.**
- 6) **Be sure that the starting voltage is maintained at more than 90 percent of the rated voltage marked on the name plate.**
- 7) **Confirm that the cable thickness is as specified in the power sources specification. (Particularly note the relation between cable length and thickness.)**
- 8) **Never fail to equip a leakage breaker where it is wet or moist.**
- 9) **The following troubles would be caused by voltage drop-down.**
 - Vibration of a magnetic switch, damage on the contact point there of, fuse breaking, disturbance to the normal function of a overload protection device.
 - Proper starting power is not given to the compressor.

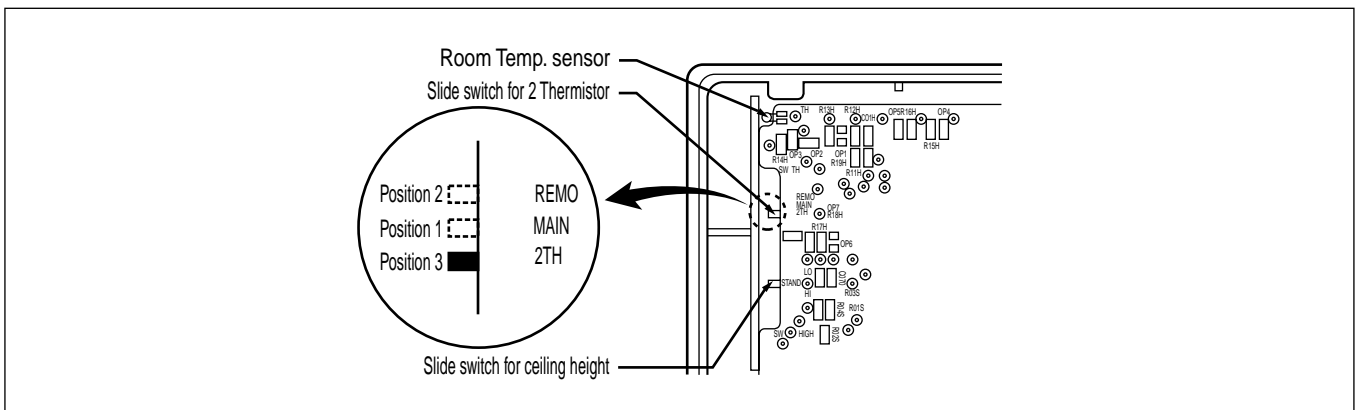
HAND OVER

Teach the customer the operation and maintenance procedures, using the operation manual (air filter cleaning, temperature control, etc.).

Optional Operation

1) Two Thermistor System

- (1) Open the rear cover of the wired remote-controller to set the mode.
- (2) Select one of three selectable modes as follows.
 - Position 1:
The room temperature is controlled by the thermistor of the main body.
 - Position 2:
The room temperature is controlled by the thermistor of the wired remote-controller, control the temperature according to the position of wired remote-controller.
 - Position 3:
The room temperature is controlled by lower temperature between the temperature of main body and of remote-controller sensor.
- (3) Move the slide switch to set position.



- (4) Close the rear cover and check if it works normally.

CAUTION

- Select the position after counselling with a customer.
- In case of cooling mode, room temperature is controlled by the main body sensor.
- To control the room temperature by a wired remote controller, install controller(room temp. sensor) to sense the temperature more accurately.
- Manufactured in the position 3.

2) Adjusting air volume to the height of ceiling

You can choose the RPM(or air volume) of indoor motor according to the height of ceiling to supply the comfortable atmosphere to consumers.

Procedure

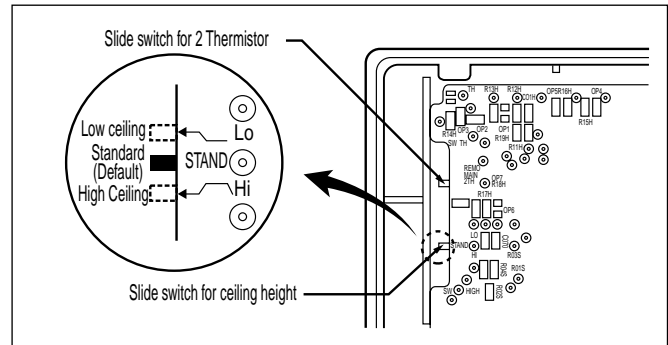
1. Choose the selectable position in the table after measuring the height of ceiling.

Ceiling height	Mode of slide switch	Change of air volume	Remark
more than 3.3m	High Ceiling	Increasing	Manufactured in standard mode
2.7~3.3m	Standard	-	
less than 2.7m	Low Ceiling	Decreasing	

2. In the case of changing the height as "high" or "low", open the rear cover of the wired remote-controller.

3. Move the slide switch to the set position.

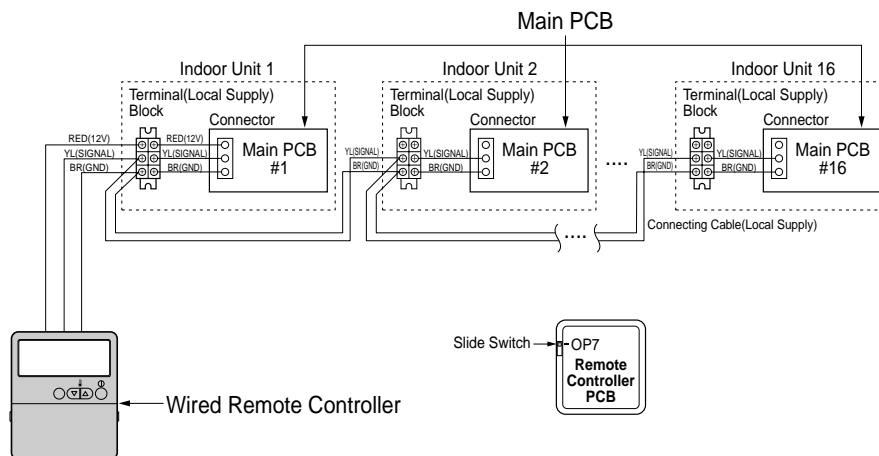
4. Close the rear cover and check if it works normally.



3) Group Control(Optional Wiring)

- You can use a group control operation after connecting the brown and yellow wire of each air-conditioner.
- Remove the resistor "OP 7" in remote controller.
- It operates maximum 16 Units by only one Wired Remote Controller, and each Unit starts sequentially to prevent overcurrent.

Wiring design



Features

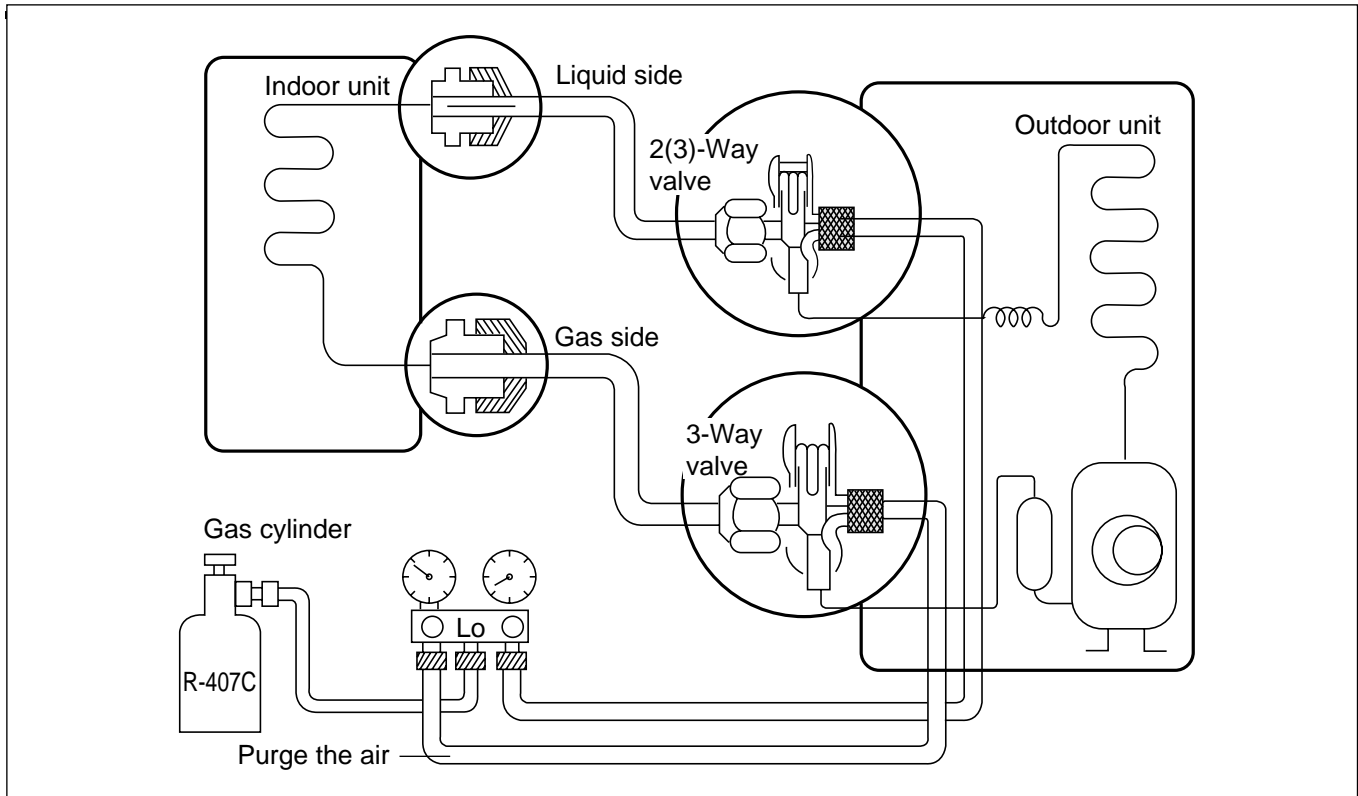
- Use Only One Wired Remote Controller with several air conditioners(max. 16 Units)
- Random starting to prevent overcurrent.

CAUTION

- Be careful not to exchange the color of wires.
- The maximum length of connecting wire should be below 200m(25Ω) on connecting each units.
- Use a wire more than 0.5mm²

Cycle

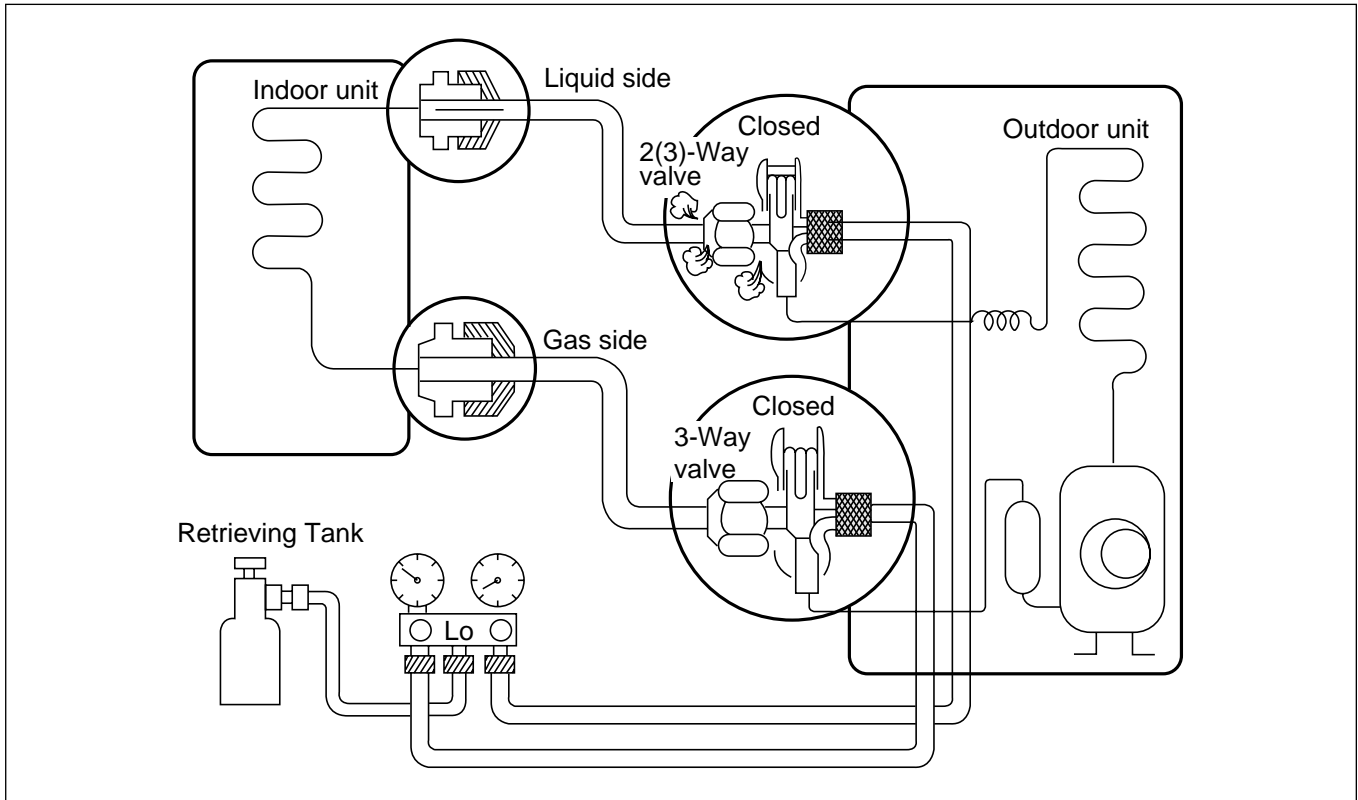
1. Installation (Connecting the piping between indoor and outdoor unit)



• Installation

- (1) Connect the piping between the indoor and outdoor unit firmly.**
 - Incorrect connection may cause the leakage and incomplete vacuuming.
- (2) Attach the charging hose (manifold gage) to the service port.**
 - Charging hose is necessary to check the pressure and to inject N₂ for leakage test.
 - The valve of charging hose must be closed before being connected.
- (3) Inject the 100~300g N₂ through the charging hose opening the valve.**
- (4) Check the joint part using a gas detector or soapy water for leakage.**
 - On checking, the service valve of main service port must be closed, this test is only for checking whether pipe connection is OK or not.
- (5) If there is no leakage, discharge N₂ in piping completely into tank for retrieving.**
 - Completely discharge is needed for vacuuming.
 - If leakage is found, please fasten the joint more tightly.
- (6) After closing the valve of charging hose, disconnect the tank and connect the vacuum pump to charging hose and open the valve again for vacuuming.**
- (7) Turn on the vacuum pump until the pressure drops below 0 kg/cm².**
- (8) After vacuuming, disconnect the vacuum pump and open the spindle of service port (liquid-side) slightly for 30 sec and then open the spindle of service port (gas side) with hexagonal wrench.**
- (9) Open the liquid side completely first and then the gas side fully in order.**

2. Disconnection (on moving)

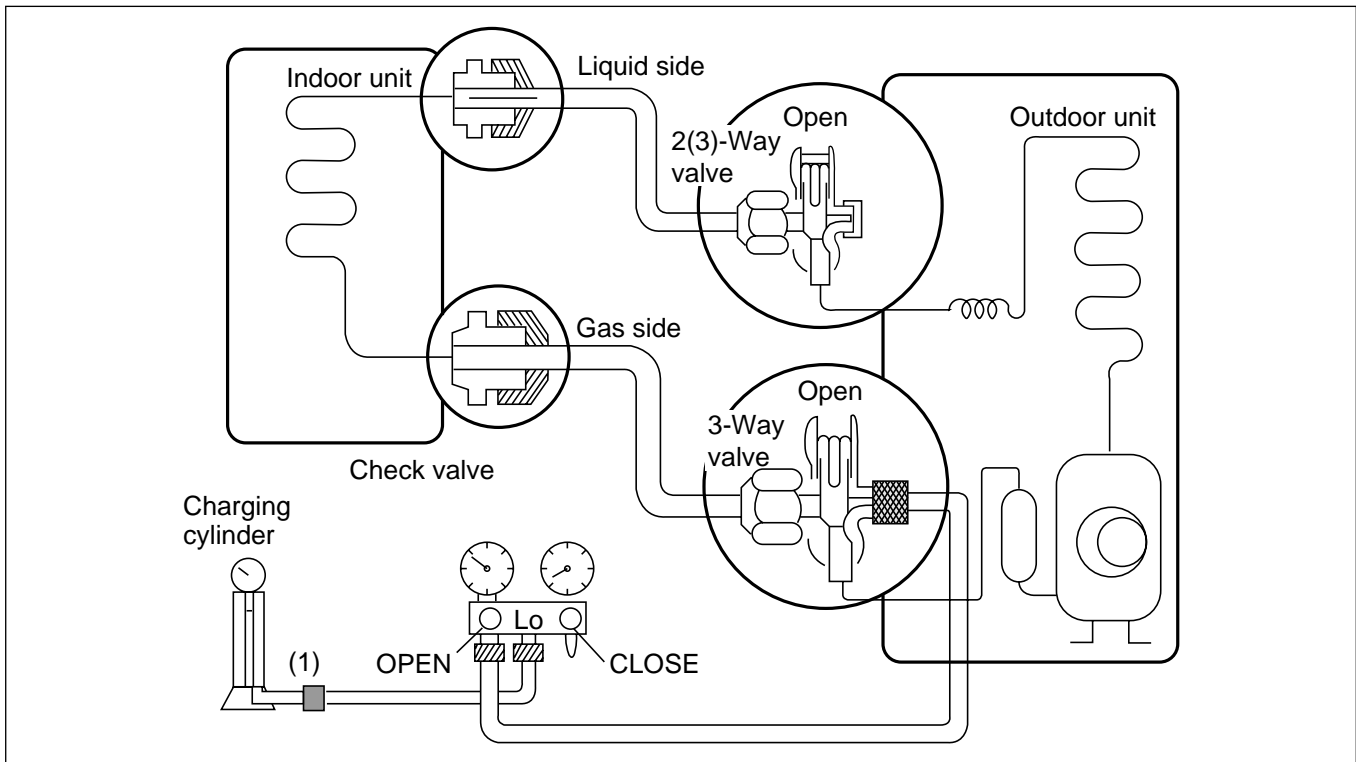


• Disconnection

- (1) **Attach the charging hose (manifold gage) to the service port.**
 - Connect the manifold gage once to the service port not stopping. Stopping in the middle of process may cause the leakage.
- (2) **Purge the air in hose into special device such as retrieving tank opening the valve of charging- hose (gas side) slightly and then close it tightly.**
- (3) **Operate the air conditioner for 10~15 min until cycle is stabilized.**
- (4) **Close the spindle of service port (liquid side-high pressure) and wait till pressure of gas side (low pressure) drops below 0 kgf/cm².**
- (5) **After the needle of gage indicates below 0 kgf/cm², close the valve of gas side quickly and turn off the power.**
- (6) **Disconnect the piping between indoor and outdoor unit and then put on service cap to the service port.**

3. Gas Charging

(After Evacuation)



• Procedure

(1) Connect the charge hose to the charging cylinder.

- Connect the charge hose which you disconnected from the vacuum pump to the valve at the bottom of the cylinder.
- If you are using a gas cylinder, also use a scale and reverse the cylinder so that the system can be charged in liquid state.

(2) Purge the air from the charge hose.

- Open the valve at the bottom of the cylinder and press the check valve on the charge set to purge the air. (Be careful of the liquid refrigerant). The procedure is the same if using a gas cylinder.

(3) Open the valve (Lo side on the charge set and charge the system with liquid refrigerant.

- If the system can not be charged with the specified amount of refrigerant, it can be charged with a little at a time (approximately 150g each time) while operating the air conditioner in the cooling cycle; however, one time is not sufficient, wait approximately 1 minute and then repeat the procedure.

This is different from previous procedures.

Because you are charging with liquid refrigerant from the gas side, absolutely do not attempt to charge with larger amounts of liquid refrigerant while operating the air conditioner.

(4) Immediately disconnect the charge hose from the 3-way valve's service port.

- Stopping partway will allow the gas to be discharged.
- If the system has been charged with liquid refrigerant while operating the air conditioner, turn off the air conditioner before disconnecting the hose.

(5) Mount the valve stem nuts and the service port nut.

- Use torque wrench to tighten the service port nut to a torque of 1.8 kg.m.
- Be sure to check for gas leakage.

Cycle Troubleshooting Guide

Trouble analysis

1. Check temperature difference between intake and discharge air and operating current.

	Temp. difference : approx. 0°C Current : less than 80% of rated current	All amount of refrigerant leaked out Check refrigeration cycle
Temp. Difference	Temp. difference : approx. 8°C Current : less than 80% of rated current	Refrigerant leakage Clog of refrigeration cycle Defective compressor
Operating Current	Temp. difference : less than 8°C Current : over the rated current	Excessive amount of refrigerant
	Temp. difference : over 8°C	Normal

Notice :

Temperature difference between intake and discharge air depends on room air humidity. When the room air humidity is relatively higher, temperature difference is smaller. When the room air humidity is relatively lower temperature difference is larger.

2. Check temperature and pressure of refrigeration cycle.

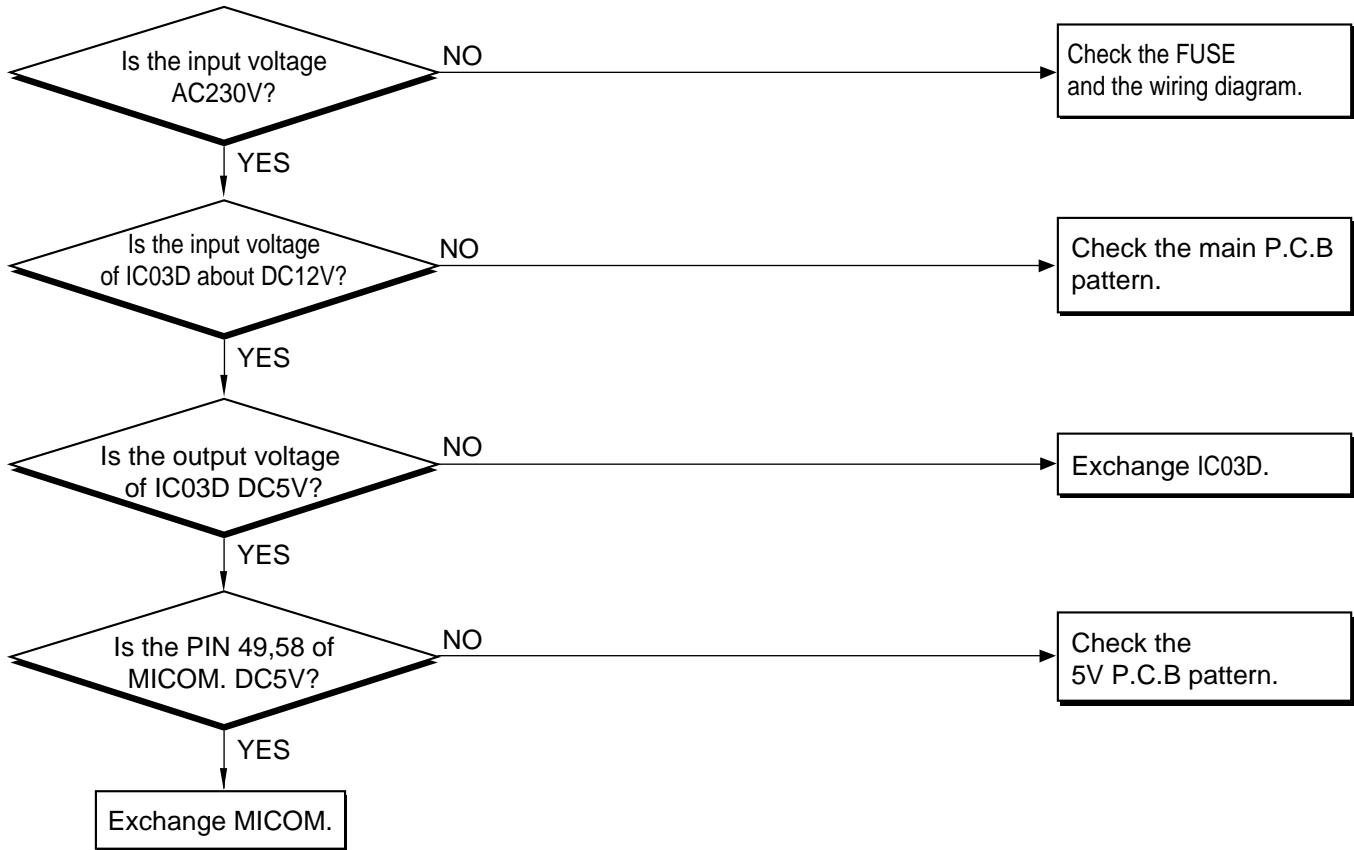
Suction pressure (Compared with the normal value)	Temperature (Compared with the normal value)	Cause of Trouble	Description
Higher	High	Defective compressor Defective 4-way reverse valve	Current is low
	Normal	Excessive amount of refrigerant	High pressure does not quickly rise at the beginning of operation
Lower	Higher	Insufficient amount of refrigerant (Leakage) Clogging	Current is low Current is low

Notice :

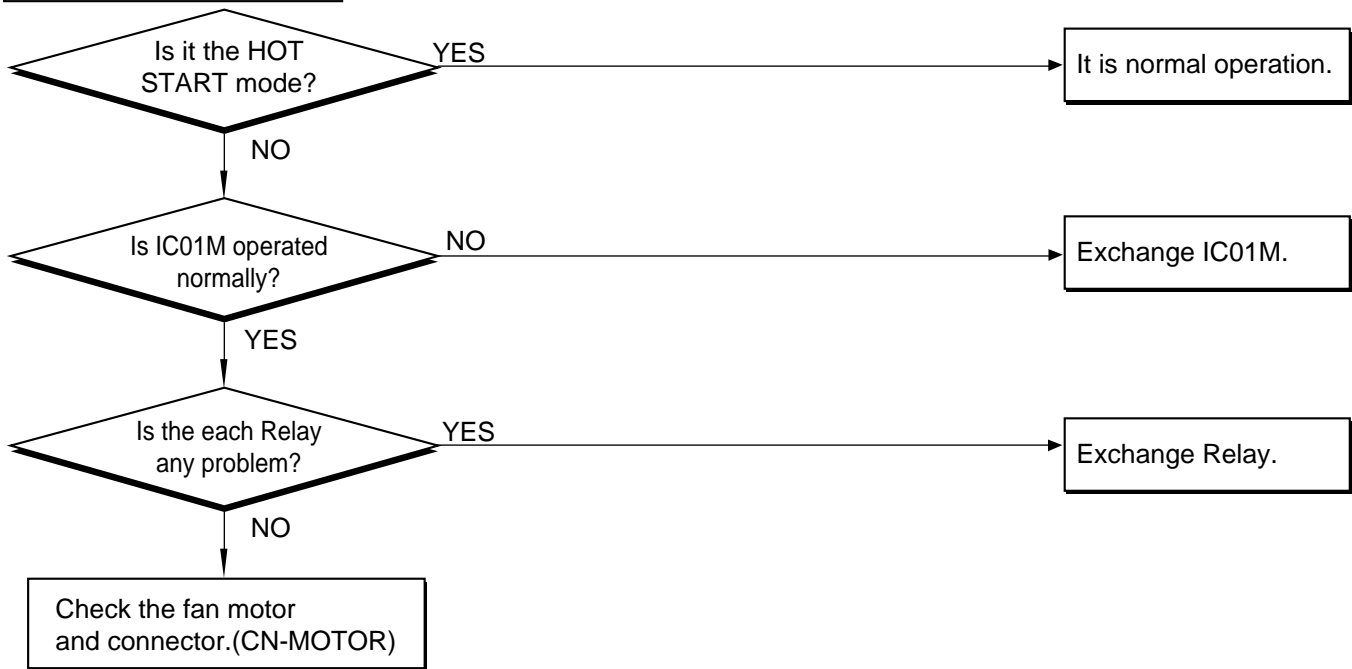
1. The suction pressure is usually 4.5~6.0 kg/cm²G at normal condition.
2. The temperature can be measured by attaching the thermometer to the low pressure tubing and wrap it with putty.

Electronic Parts Troubleshooting Guide

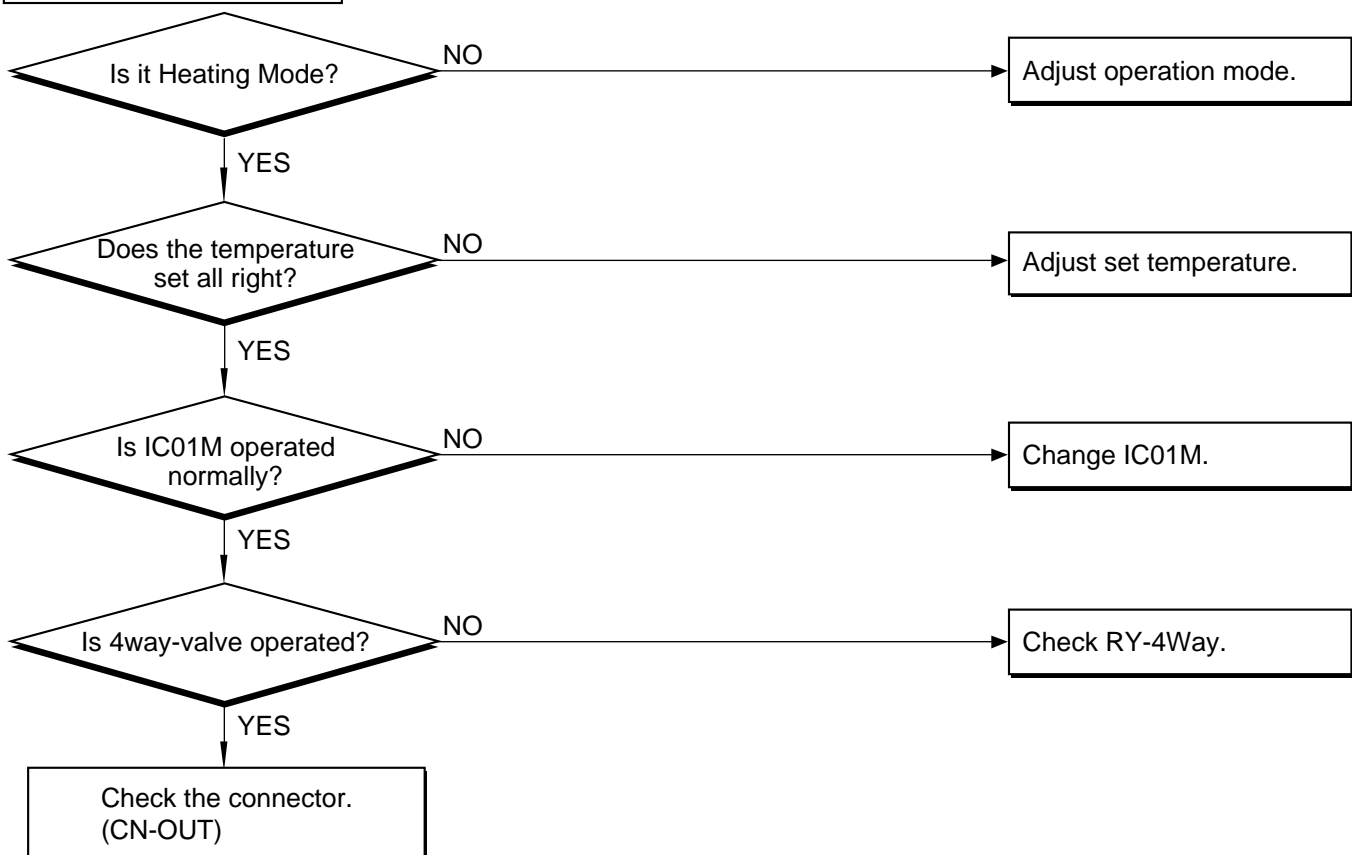
Possible Trouble 1 : The unit does not operate.



Possible Trouble 2 : The indoor fan does not operate.



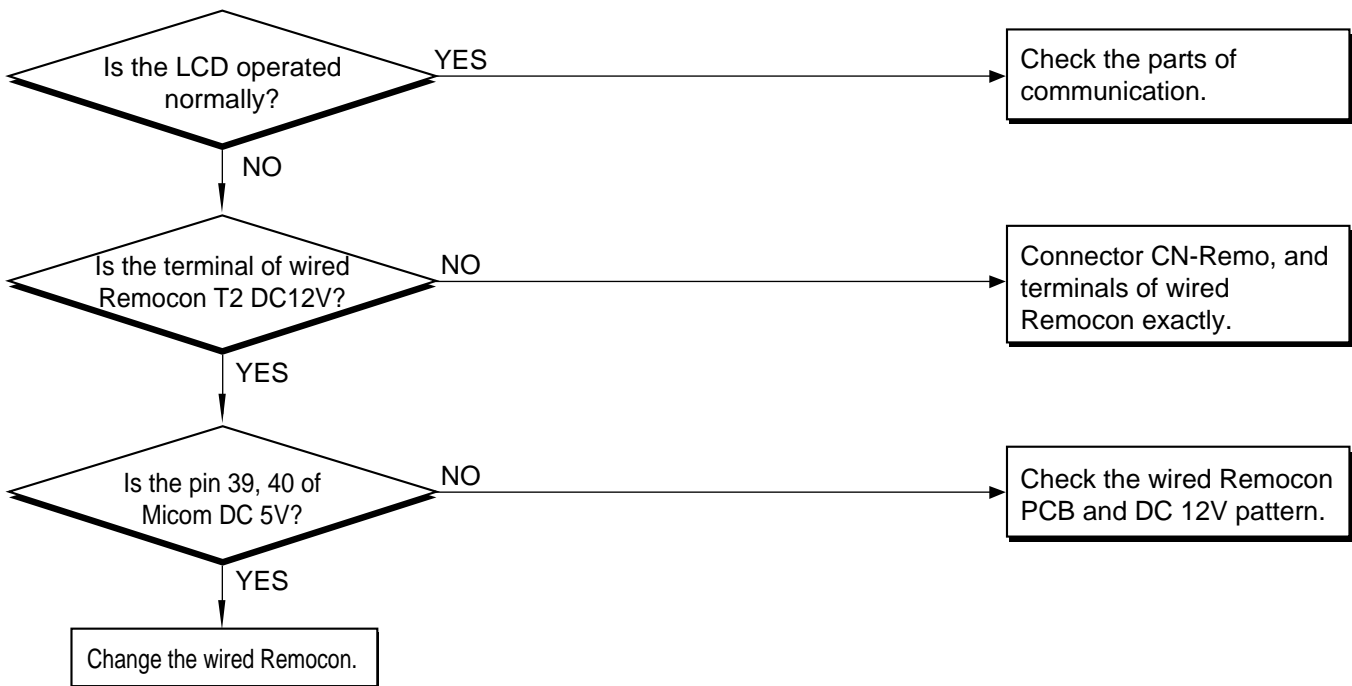
Possible Trouble 3 : Ineffective Heating



Possible Trouble 4 : Auto Air direction louver does not operate.

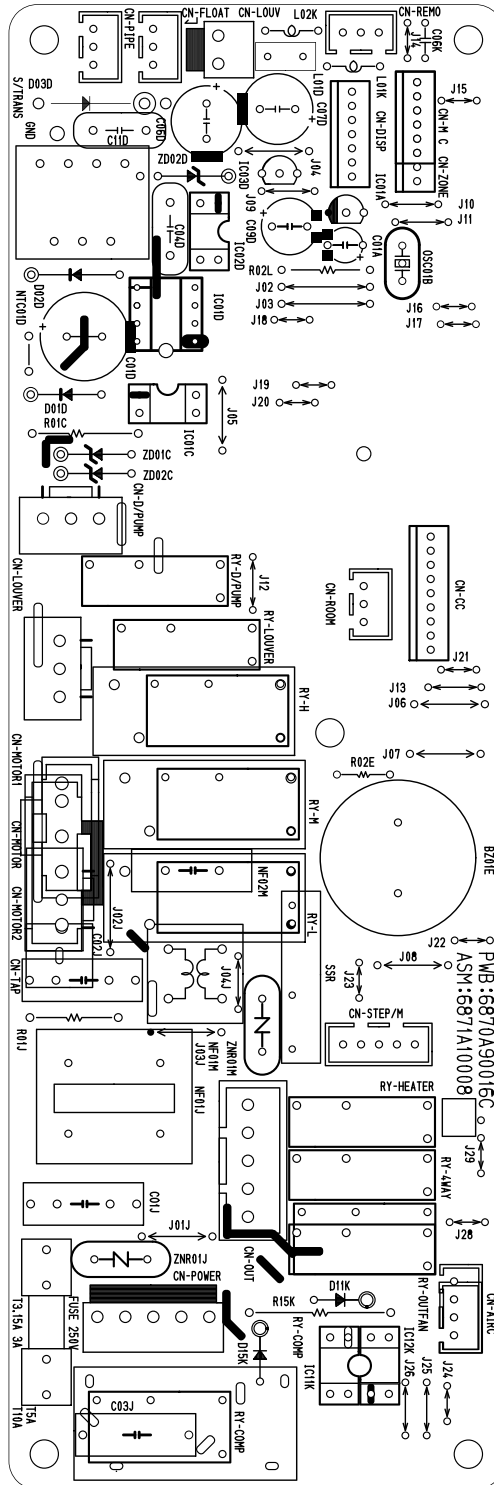


Possible Trouble 5 : Wired remote controller does not operate.

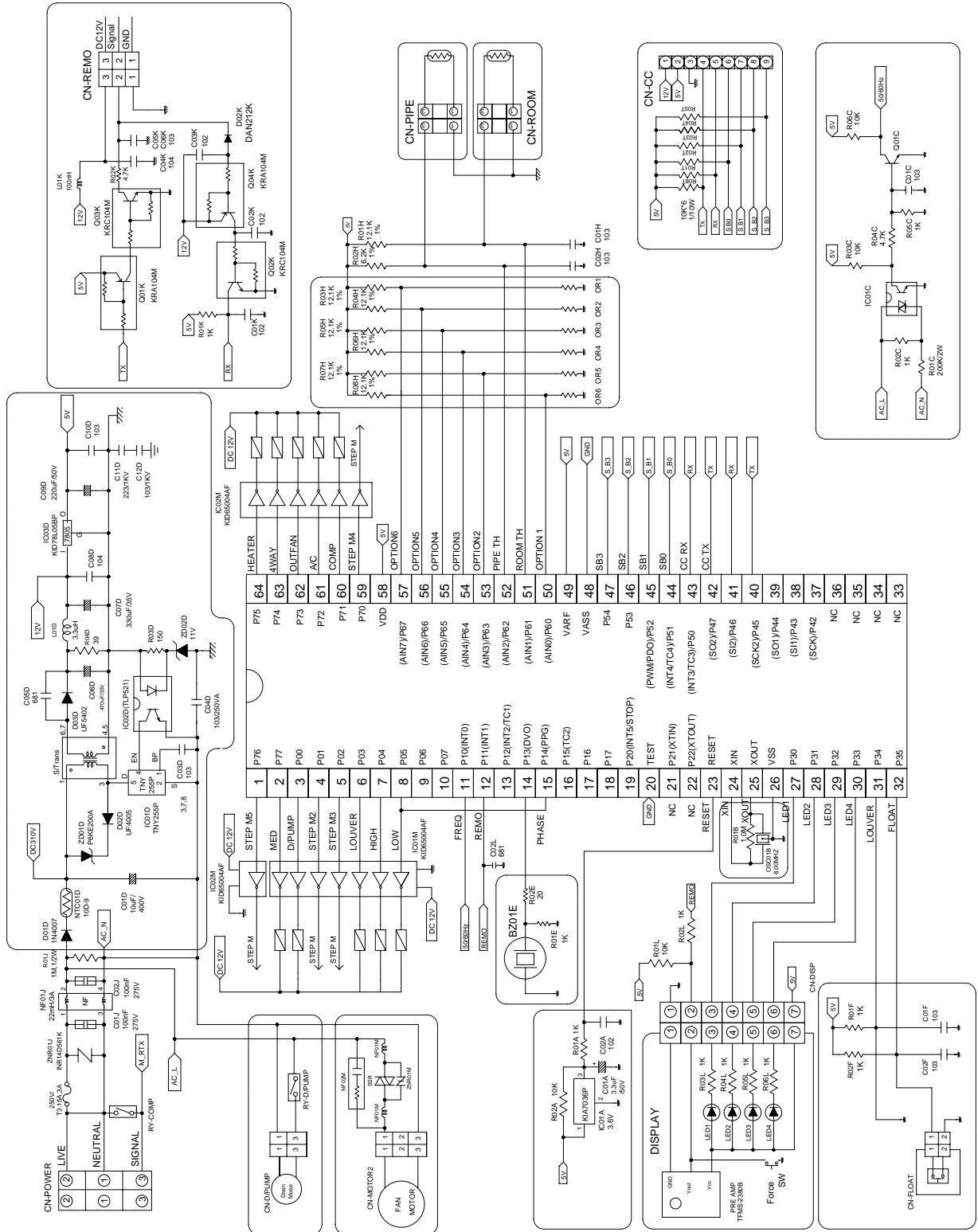


Electronic control device

MAIN P.C.B ASM



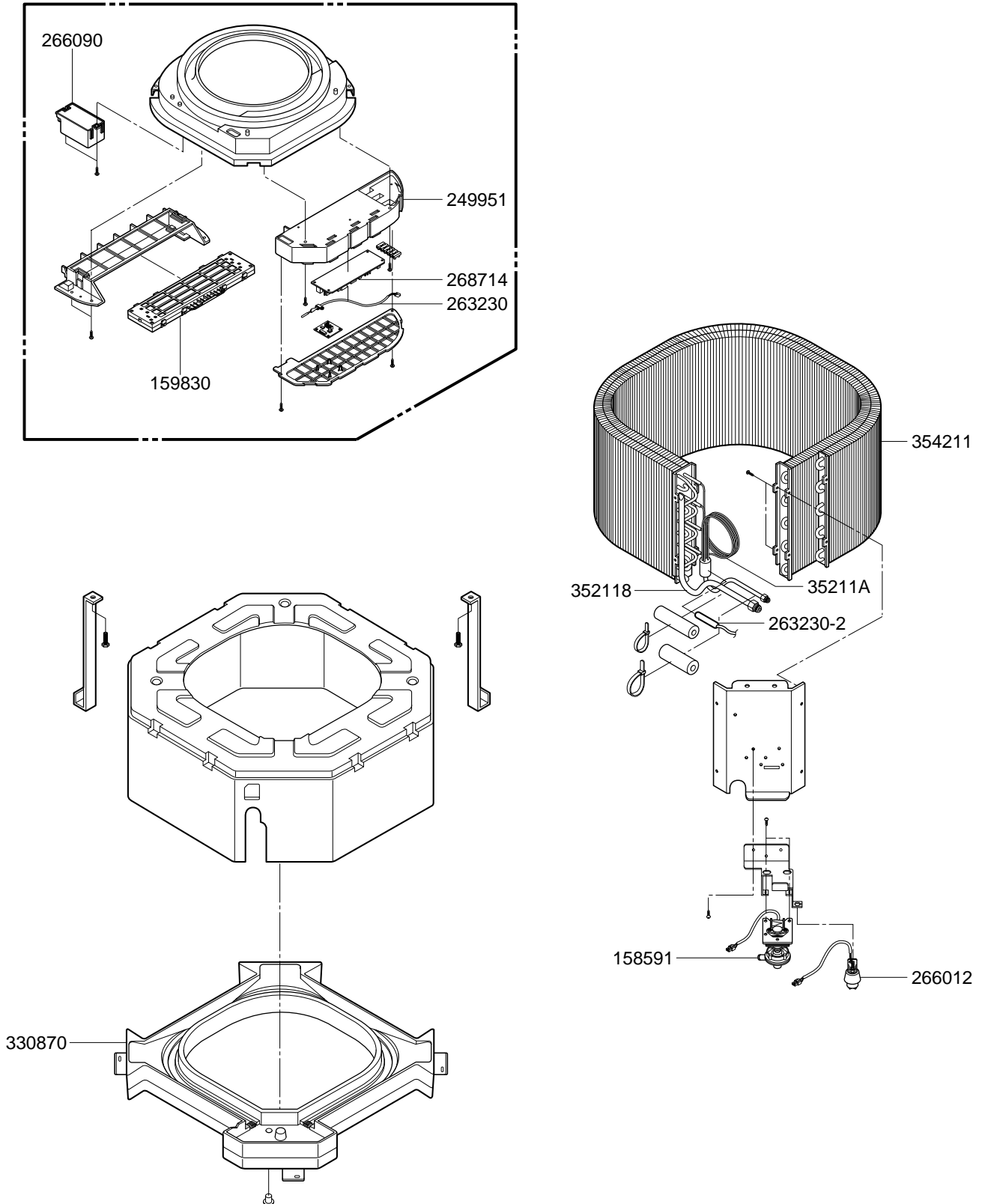
Schematic Diagram

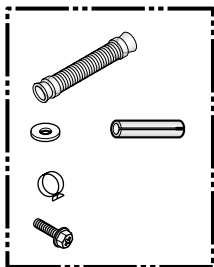
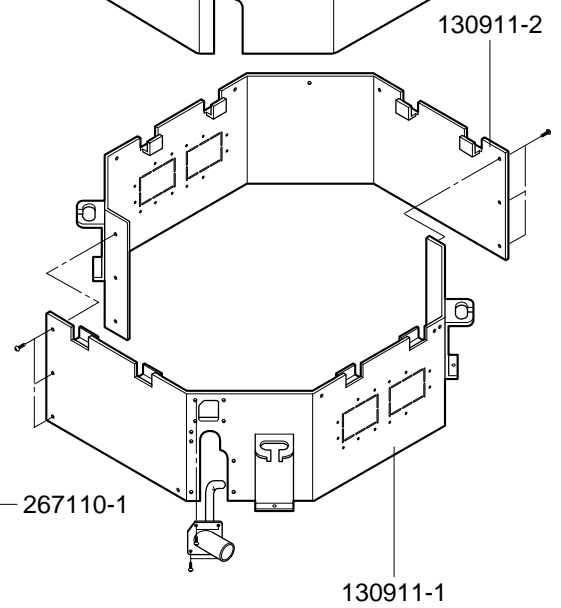
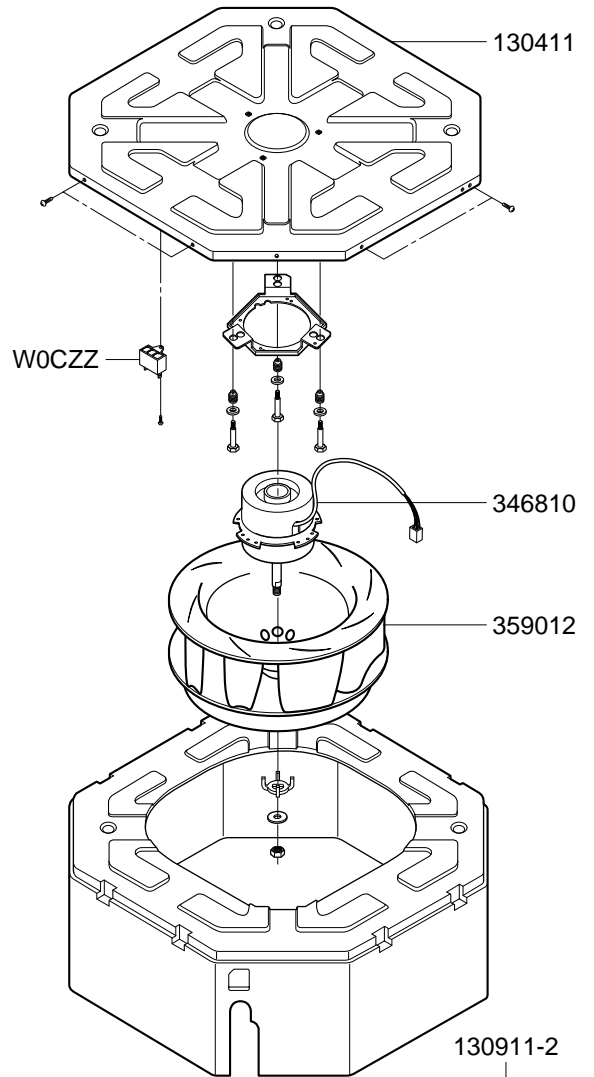
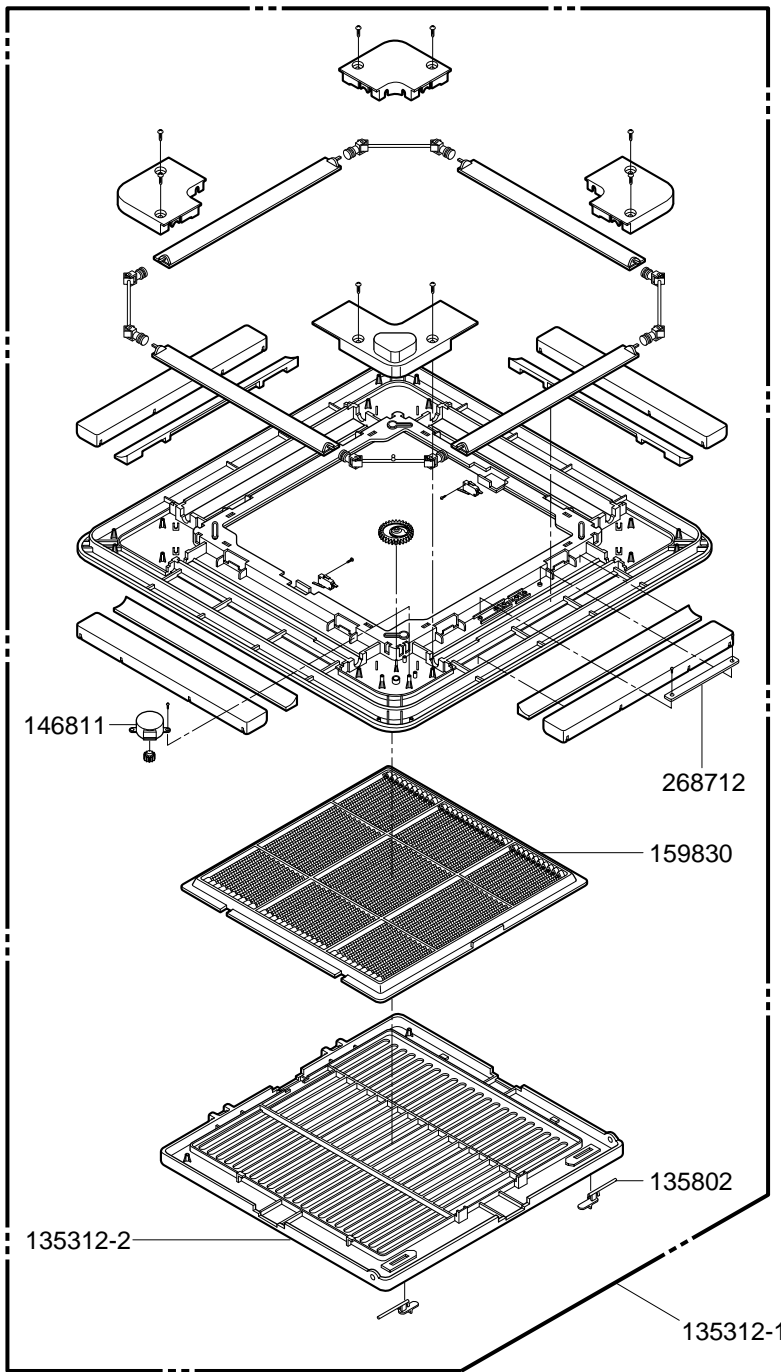


Exploded View and Replacement Parts List

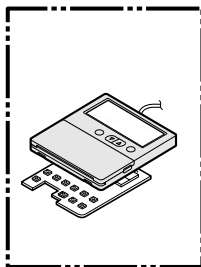
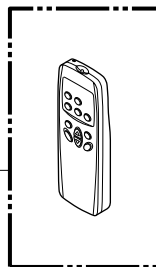
1. Indoor Unit

• Model: LT-E1860RJ/LT-E1860RH/LT-E2460RJ/LT-E2460RH





267110-2

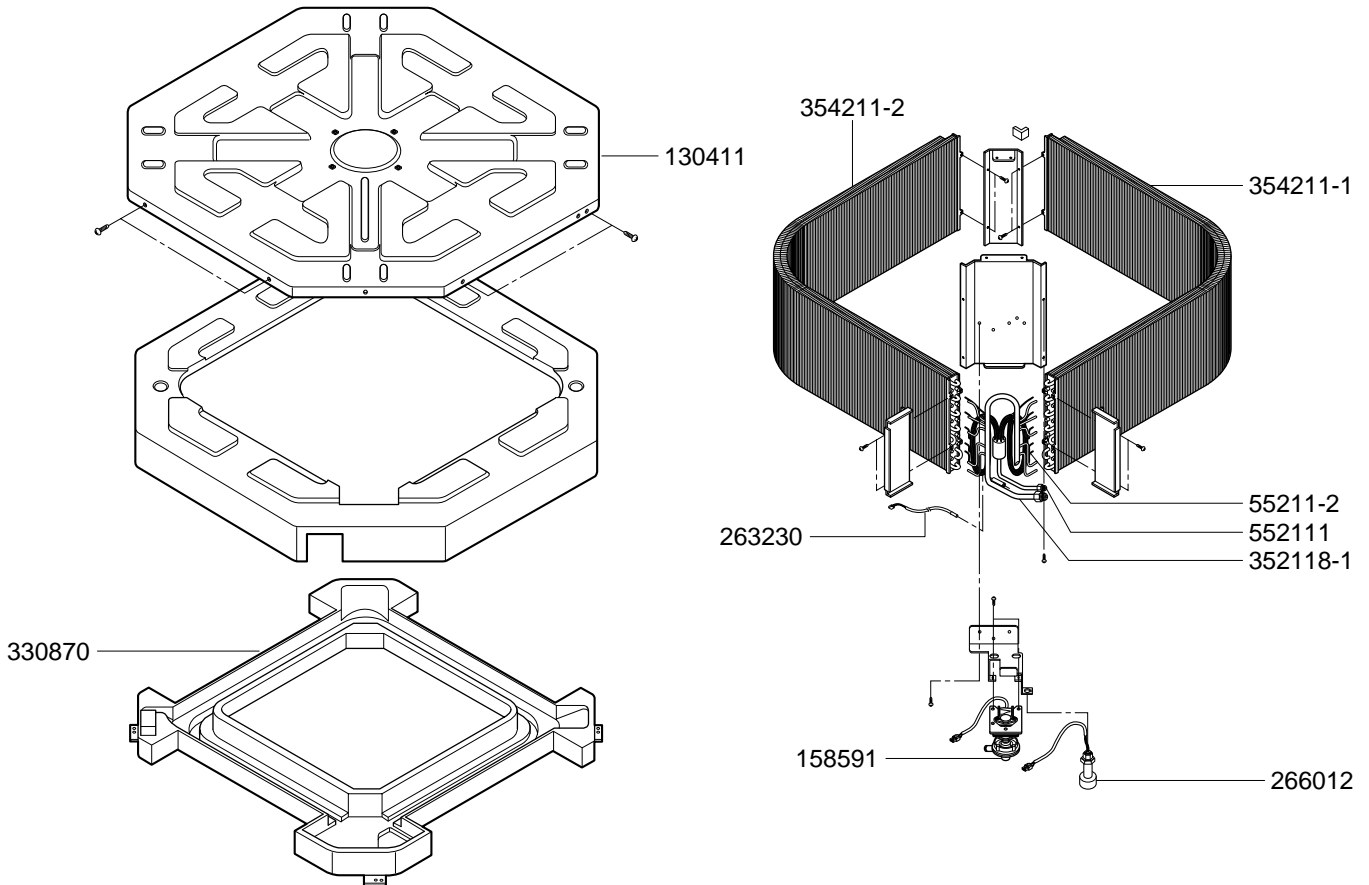
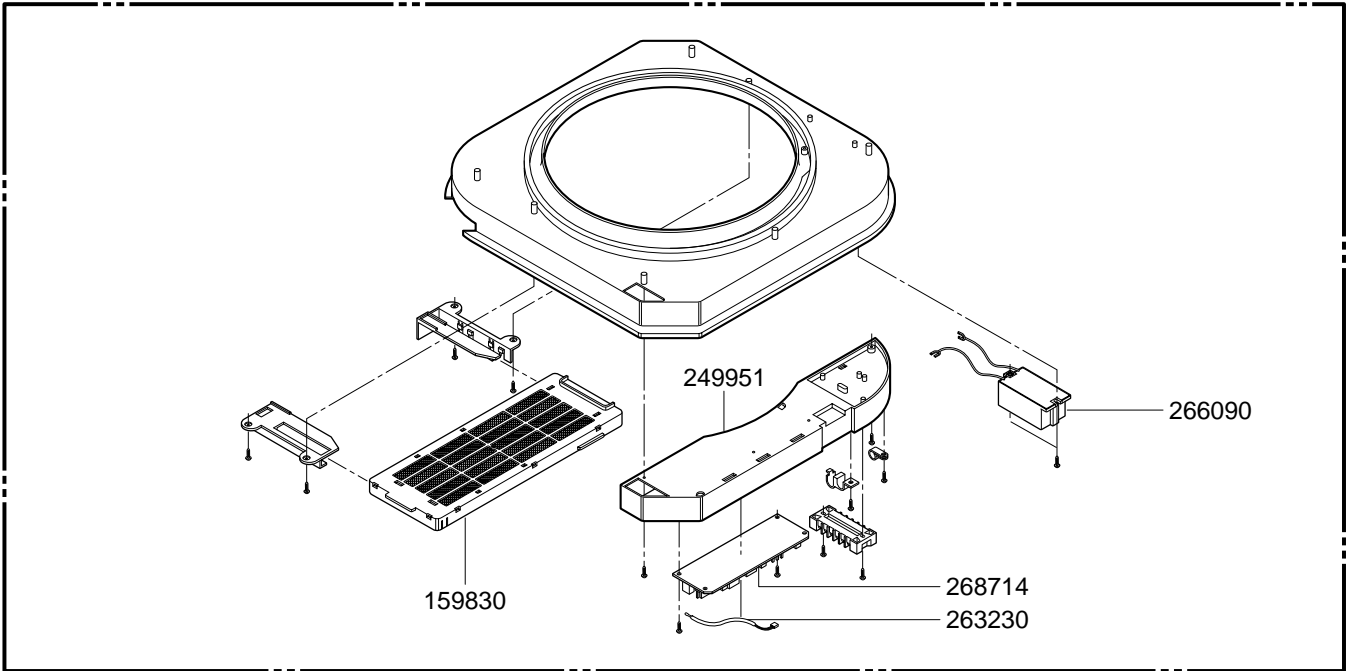


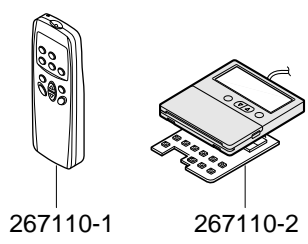
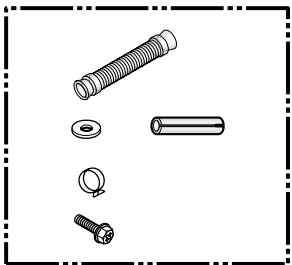
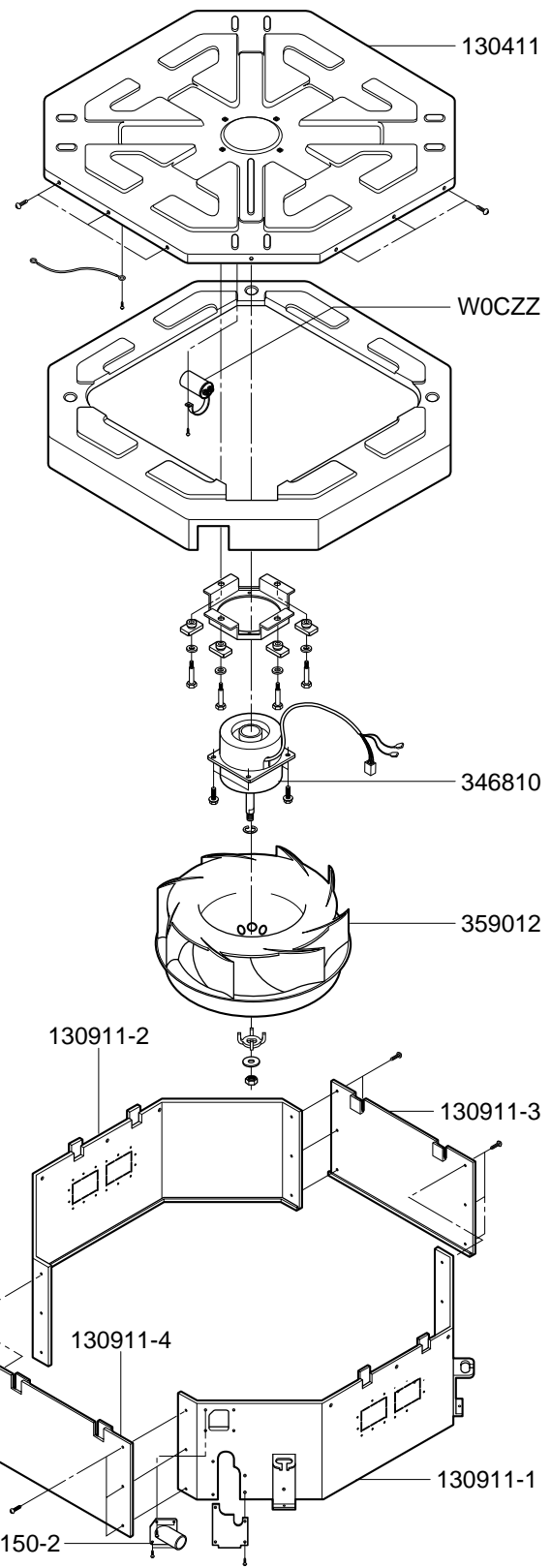
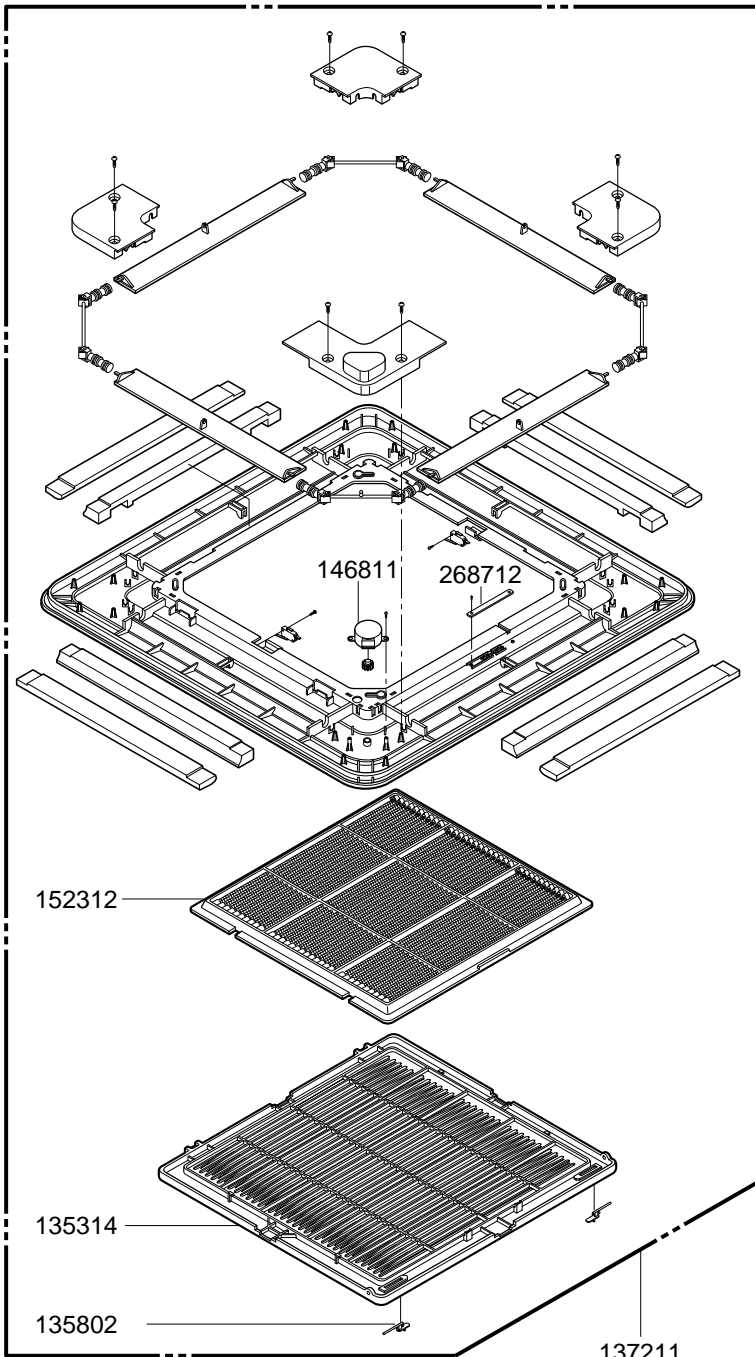
267110-1

• Model: LT-E1860RJ/LT-E1860RH/LT-E2460RJ/LT-E2460RH

LOCATION NO.	DESCRIPTION	PART NO.				REMARK
		LT-E1860RJ	LT-E1860RH	LT-E2460RJ	LT-E2460RH	
130411	BASE ASSY,WELD[INDOOR]	3041A10013A	3041A10013A	3041A10013A	3041A10013A	
130911-1	CABINET ASSY,INDOOR	3091A10023A	3091A10023A	3091A10023A	3091A10023A	
130911-2	CABINET ASSY,INDOOR	3091A10023B	3091A10023B	3091A10023B	3091A10023B	
135312-1	PANEL ASSY,FRONT(INDOOR)	3721A10021B	3721A10021A	3721A10021B	3721A10021A	
135312-2	GRILLE ASSY,FRONT(INDOOR)	3531A10059A	3531A10059A	3531A10059A	3531A10059A	
135802	DOOR	3580A20005A	3580A20005A	3580A20005A	3580A20005A	
146811	MOTOR ASSY,STEP	4681AP2968D	4681AP2968D	4681AP2968D	4681AP2968D	
158591	PUMP ASSY,WATER	5859A20001C	5859A20001C	5859A20001C	5859A20001C	
159830	FILTER ASSY,AIR CLEANER	5231A10005A	-	5231A10005A	-	
249951	CONTROL BOX ASSEMBLY,INDOOR	4995A10026Z	4995A10026Z	4995A10026U	4995A10026U	
263230-1	THERMISTOR ASSEMBLY	6323AQ3214N	6323AQ3214N	6323AQ3214N	6323AQ3214N	
263230-2	THERMISTOR ASSY	6323AQ3226F	6323AQ3226F	6323AQ3226F	6323AQ3226F	
266012	SWITCH ASSY,FLOAT	6601A20001F	6601A20001F	6601A20001F	6601A20001F	
266090	H.V ASSY	6609A20005C	-	6609A20005C	-	
267110-1	REMOTE CONTROLLER ASSY	6711A10002B	6711A10002A	6711A10002B	6711A10002A	
267110-2	REMOTE CONTROLLER ASSY	6711A20039K	(6711A20039H)	6711A20039K	(6711A20039H)	
268712	PWB(PCB) ASSY,DISPLAY	6871A20096A	6871A20096A	6871A20096A	6871A20096A	
268714	PWB(PCB) ASSEMBLY,MAIN	6871A10040Q	6871A10040Q	6871A10038Z	6871A10038Z	
330870	DRAIN PAN ASSY	3087A10002A	3087A10002A	3087A10002A	3087A10002A	
346810	MOTOR ASSY,SINGLE	4681AC2026C	4681AC2026C	4681AC2026D	4681AC2026D	
352118	TUBE ASSEMBLY,MENIFOLD(INDOOR)	5211A20241H	5211A20241H	5211A20241F	5211A20241F	
35211A	TUBE ASSY,SUCTION INDOOR	5211A20243A	5211A20243A	5211A20243B	5211A20243B	
354211	EVAPORATOR ASSY,BENDING	5421A10007M	5421A10007M	5421A10006B	5421A10006B	
359011	FAN,TURBO	5900A10004A	5900A10004A	5900A10004A	5900A10004A	
738281	MANUAL,SERVICE	3828A20050T	3828A20050T	3828A20050T	3828A20050T	
738290	MANUAL,OWNERS	3828A20111P	3828A20111P	3828A20111P	3828A20111P	
W0CZZ	CAPACITOR,DRAWING	3H00660N	3H00660N	3H00660N	3H00660N	

• Model: LT-D3680RJ/LT-D3680RH/LT-D3680FJ/LT-D3680FH
 LT-D4880RJ/LT-D4880RH/LT-D4880FJ/LT-D4880FH





• Model: LT-D3680RJ/LT-D3680RH/LT-D3680FJ/LT-D3680FH

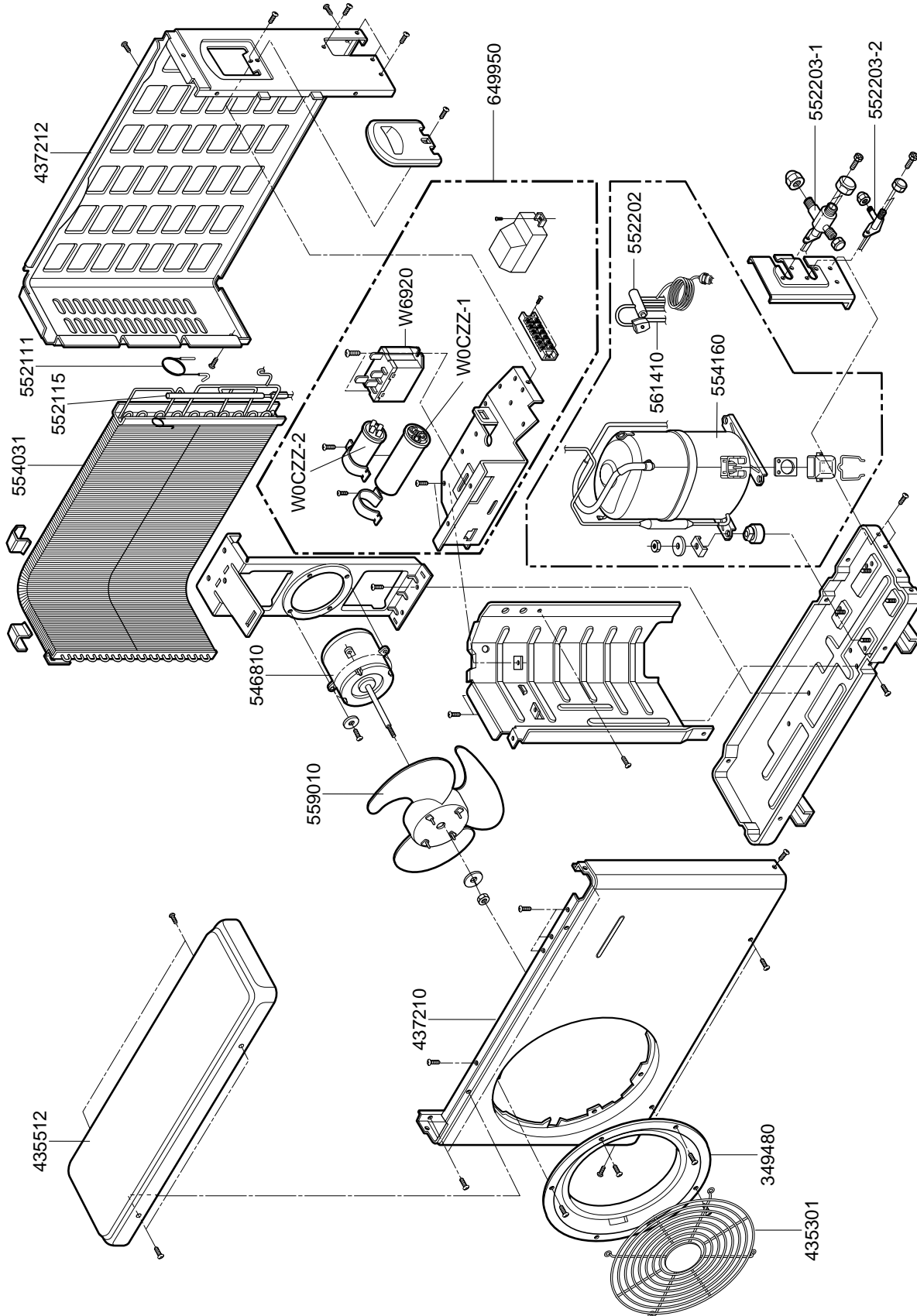
LOCATION NO.	DESCRIPTION	PART NO.				REMARK
		LT-D3680RJ	LT-D3680RH	LT-D3680FJ	LT-D3680FH	
130411	BASE ASSY,WELD[INDOOR]	3041A10016A	3041A10016A	3041A10016A	3041A10016A	
130911-1	CABINET ASSY,WELD	3091A10030A	3091A10030A	3091A10030A	3091A10030A	
130911-2	CABINET ASSY,WELD	3091A10030B	3091A10030B	3091A10030B	3091A10030B	
130911-3	CABINET ASSY,INDOOR	3091A10031A	3091A10031A	3091A10031A	3091A10031A	
130911-4	CABINET ASSY,INDOOR	3091A10031B	3091A10031B	3091A10031B	3091A10031B	
135314	GRILLE ASSY,INLET	3531A10066A	3531A10066A	3531A10066A	3531A10066A	
135515	COVER ASSY,TOP(INDOOR)	3551A20032A	3551A20032A	3551A20032A	3551A20032A	
135802	DOOR	3580A20005A	3580A20005A	3580A20005A	3580A20005A	
137211	PANEL ASSY,FRONT(INDOOR)	3721A10025C	3721A10025A	3721A10025R	3721A10025B	
146811	MOTOR ASSY,STEP	4681AP2968D	4681AP2968D	4681AP2968D	4681AP2968D	
152312	FILTER ASSY,AIR CLEANER	5231A10004A	-	5231A10004A	-	
158591	PUMP ASSY,WATER	5859A20001D	5859A20001D	5859A20001D	5859A20001D	
159830	AIR CLEANER ASSY	5983A10003D	-	5983A10003D	-	
249951	CONTROL BOX ASSY,INDOOR	4995A10030E	4995A10030E	4995A10030F	4995A10030F	
263230-1	THERMISTOR ASSEMBLY	6323AQ3214U	6323AQ3214U	6323AQ3214U	6323AQ3214U	
263230-2	THERMISTOR ASSY	6323AQ3226F	6323AQ3226F	6323AQ3226F	6323AQ3226F	
266012	SWITCH ASSY,FLOAT	6601A20001F	6601A20001F	6601A20001F	6601A20001F	
266090	H.V ASSY	6609A20005D	6609A20005D	6609A20005D	6609A20005D	
267110-1	REMOTE CONTROLLER ASSY	6711A10002B	6711A10002A	6711A10002Q	6711A10002P	
267110-2	REMOTE CONTROLLER ASSY	6711A20039K	(6711A20039H)	6711A20039J	(6711A20039G)	
268712	PWB(PCB) ASSY,DISPLAY	6871A20096C	6871A20096C	6871A20096C	6871A20096C	
268714	PWB(PCB) ASSY,MAIN	6871A10038G	6871A10038N	6871A10038F	6871A10038P	
330870	DRAIN PAN ASSY	3087A10006A	3087A10006A	3087A10006A	3087A10006A	
346810	MOTOR ASSY,INDOOR	4681A20006J	4681A20006J	4681A20006J	4681A20006J	
352118-1	TUBE ASSY,MENIFOLD(INDOOR)	5211A20251B	5211A20251B	5211A20251B	5211A20251B	
352118-2	TUBE ASSY,MENIFOLD(INDOOR)	5211A20251C	5211A20251C	5211A20251C	5211A20251C	
354211-1	EVAPORATOR ASSY,BENDING	5421A10016A	5421A10016A	5421A10016A	5421A10016A	
354211-2	EVAPORATOR ASSY,BENDING	5421A10016B	5421A10016B	5421A10016B	5421A10016B	
552111	TUBE ASSEMBLY,CAPILLARY	5211A20316E	5211A20316E	5211A20316E	5211A20316E	
738281	MANUAL,SERVICE	3828A20050T	3828A20050T	3828A20050T	3828A20050T	
738290	MANUAL,OWNERS	3828A20111P	3828A20111P	3828A20111P	3828A20111P	
WOCZZ	CAPACITOR,DRAWING	3H00660M	3H00660M	3H00660M	3H00660M	

• Model: LT-D4880RJ/LT-D4880RH/LT-D4880FJ/LT-D4880FH

LOCATION NO.	DESCRIPTION	PART NO.				REMARK
		LT-D4880RJ	LT-D4880RH	LT-D4880FJ	LT-D4880FH	
130411	BASE ASSY,WELD[INDOOR]	3041A10016A	3041A10016A	3041A10016A	3041A10016A	
130911-1	CABINET ASSY,WELD	3091A10030A	3091A10030A	3091A10030A	3091A10030A	
130911-2	CABINET ASSY,WELD	3091A10030B	3091A10030B	3091A10030B	3091A10030B	
130911-3	CABINET ASSY,INDOOR	3091A10031A	3091A10031A	3091A10031A	3091A10031A	
130911-4	CABINET ASSY,INDOOR	3091A10031B	3091A10031B	3091A10031B	3091A10031B	
135314	GRILLE ASSY,INLET	3531A10066A	3531A10066A	3531A10066A	3531A10066A	
135802	DOOR	3580A20005A	3580A20005A	3580A20005A	3580A20005A	
137211	PANEL ASSY,FRONT(INDOOR)	3721A10025C	3721A10025A	3721A10025R	3721A10025B	
146811	MOTOR ASSY,STEP	4681AP2968D	4681AP2968D	4681AP2968D	4681AP2968D	
152312	FILTER ASSY,AIR CLEANER	5231A10004A	5231A10004A	5231A10004A	5231A10004A	
158591	PUMP ASSY,WATER	5859A20001D	5859A20001D	5859A20001D	5859A20001D	
159830	AIR CLEANER ASSY	5983A10003D	-	5983A10003D	-	
249951	CONTROL BOX ASSY,INDOOR	4995A10030A	4995A10030A	4995A10030B	4995A10030B	
263230-1	THERMISTOR ASSEMBLY	6323AQ3214U	6323AQ3214U	6323AQ3214U	6323AQ3214U	
263230-2	THERMISTOR ASSY	6323AQ3226F	6323AQ3226F	6323AQ3226F	6323AQ3226F	
266012	SWITCH ASSY,FLOAT	6601A20001F	6601A20001F	6601A20001F	6601A20001F	
266090	H.V ASSY	6609A20005D	-	6609A20005D	-	
267110-1	REMOTE CONTROLLER ASSY	6711A10002B	6711A10002A	6711A10002Q	6711A10002P	
267110-2	REMOTE CONTROLLER ASSY	6711A20039K	(6711A20039H)	6711A20039J	(6711A20039G)	
268712	PWB(PCB) ASSY,DISPLAY	6871A20096C	6871A20096C	6871A20096C	6871A20096C	
268714	PWB(PCB) ASSY,MAIN	6871A10008N	6871A10008N	6871A10008P	6871A10008P	
330870	DRAIN PAN ASSY	3087A10006A	3087A10006A	3087A10006A	3087A10006A	
346810	MOTOR ASSY,INDOOR	4681A20006H	4681A20006H	4681A20006H	4681A20006H	
352118-1	TUBE ASSY,MENIFOLD(INDOOR)	5211A20251A	5211A20251A	5211A20251A	5211A20251A	
352118-2	TUBE ASSY,MENIFOLD(INDOOR)	5211A20251B	5211A20251B	5211A20251B	5211A20251B	
354211-1	EVAPORATOR ASSY,BENDING	5421A10016A	5421A10016A	5421A10016A	5421A10016A	
354211-2	EVAPORATOR ASSY,BENDING	5421A10016B	5421A10016B	5421A10016B	5421A10016B	
552111	TUBE ASSY,CAPILLARY	5211A20316A	5211A20316A	5211A20316A	5211A20316A	
738281	MANUAL,SERVICE	3828A20050T	3828A20050T	3828A20050T	3828A20050T	
738290	MANUAL,OWNERS	3828A20111P	3828A20111P	3828A20111P	3828A20111P	
W0CZZ	CAPACITOR,DRAWING	2A00986D	2A00986D	2A00986D	2A00986D	

2. Outdoor Unit

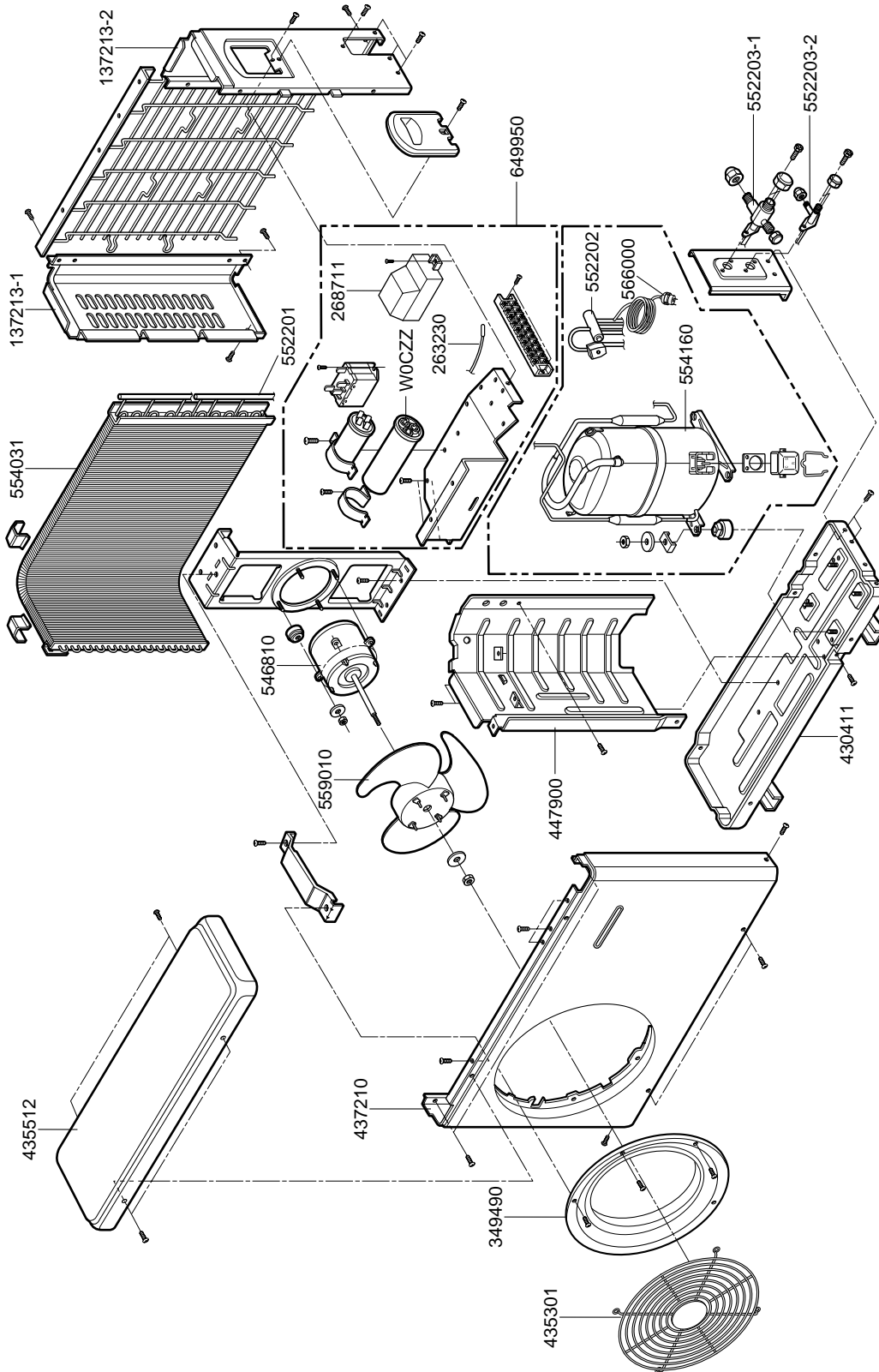
• Model: LT-E1860RJ/LT-E1860RH/LT-E2460RJ/LT-E2460RH



• Model: LT-E1860RJ/LT-E1860RH/LT-E2460RJ/LT-E2460RH

LOCATION NO.	DESCRIPTION	PART NO.				REMARK
		LT-E1860RJ	LT-E1860RH	LT-E2460RJ	LT-E2460RH	
66920	RELAY	6920AP3400A	6920AP3400A	6920AP3400A	6920AP3400A	
268711	PWB(PCB) ASSEMBLY,DEICER	6871A20034B	6871A20034B	6871A20034B	6871A20034B	
349480	ORIFICE	4948AP2527A	4948AP2527A	4948AP2527A	4948AP2527A	
435311	GRILLE,DISCHARGE	3530A20007B	3530A20007B	3530A20007B	3530A20007B	
435512	COVER ASSY,TOP(OUTDOOR)	3H03266U	3H03266U	3H03266T	3H03266T	
437210	PANEL ASSY,FRONT SUB	3721A20004S	3721A20004S	3721A20004T	3721A20004T	
437212	PANEL ASSY,REAR	3720AP0003L	3720AP0003L	3720AP0003L	3720AP0003L	
546810	MOTOR ASSEMBLY,OUTDOOR	4681A20013A	4681A20013A	4681A20013D	4681A20013D	
552202	VALVE,REVERSING	3A02027A	3A02027A	3A02027A	3A02027A	
552203-1	VALVE,SERVICE	2H02479F	2H02479F	2A00392E	2A00392E	
552203-2	VALVE,SERVICE	2H01890D	2H01890D	2H02479D	2H02479D	
554031	CONDENSER ASSY,BENT	5403A20022F	5403A20022F	5403A20022F	5403A20022F	
554160	COMPRESSOR SET	2520UWFP2AA	2520UWFP2AA	2520UVAP2AA	2520UVAP2AA	
559010	FAN ASSEMBLY,PROPELLER	1A00195B	1A00195B	1A00195B	1A00195B	
561410	COIL ASSY,REVERSING VALVE	3A02028Y	3A02028Y	3A02028Y	3A02028Y	
649950	CONTROL BOX ASSEMBLY,OUTDOOR	4995A20027V	4995A20027V	4995A20027R	4995A20027R	
WOCZZ-1	CAPACITOR,DRAWING	3A00988B	3A00988B	0CZZA20001D	0CZZA20001D	
WOCZZ-2	CAPACITOR,DRAWING	2A00986D	2A00986D	2A00986D	2A00986D	

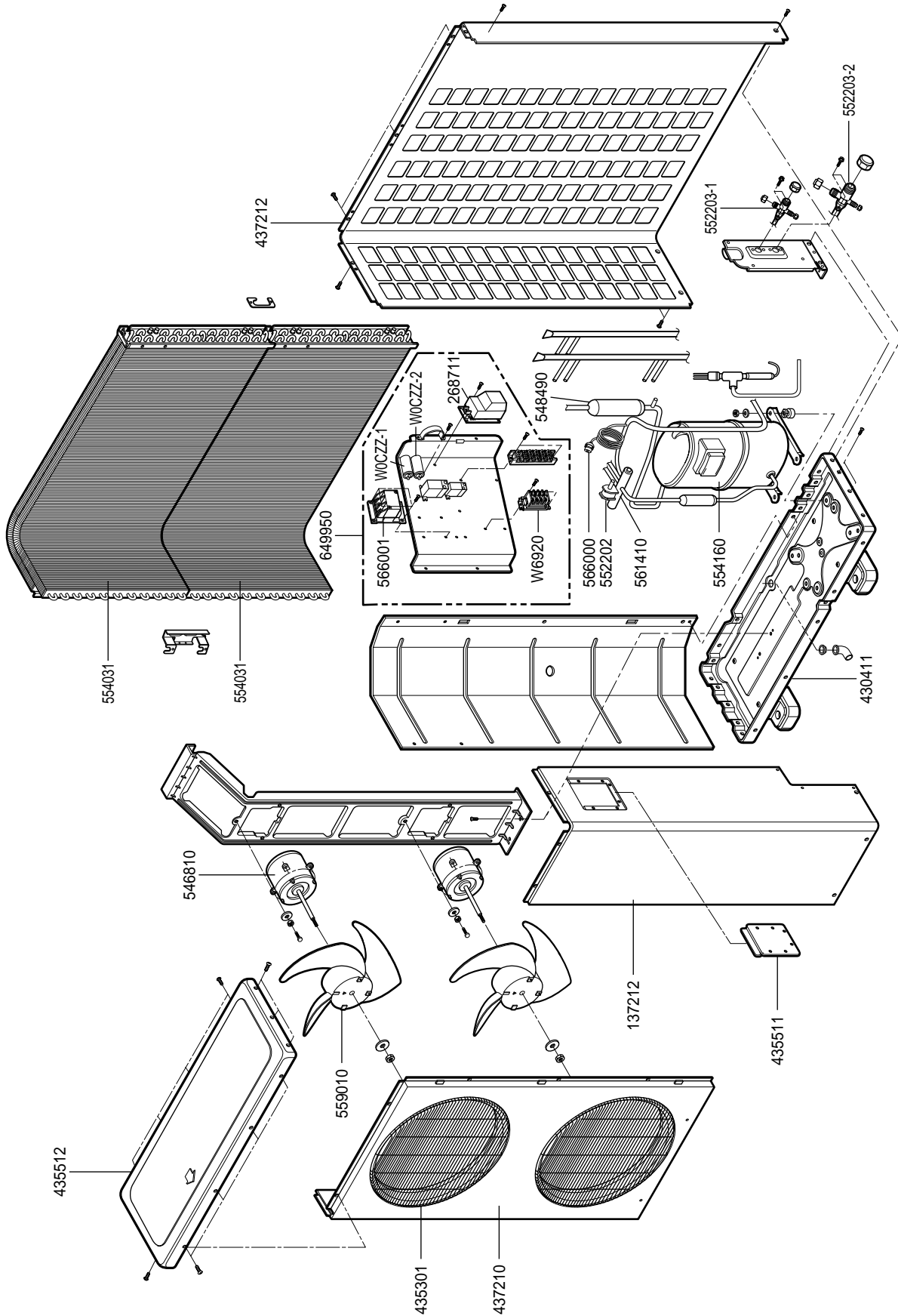
• Model: LT-D3680RJ/LT-D3680RH/LT-D3680FJ/LT-D3680FH



• Model: LT-D3680RJ/LT-D3680RH/LT-D3680FJ/LT-D3680FH

LOCATION NO.	DESCRIPTION	PART NO.				REMARK
		LT-D3680RJ	LT-D3680RH	LT-D3680FJ	LT-D3680FH	
268711	PWB(PCB) ASSEMBLY,DEICER	6871A20034B	6871A20034B	-	-	
349480	ORIFICE	4948AP2527A	4948AP2527A	4948AP2527A	4948AP2527A	
435512	COVER ASSEMBLY, TOP(OUTDOOR)	3H03266H	3H03266H	3H03266H	3H03266H	
437211	PANEL ASSY, FRONT SUB	1A00197C	1A00197C	1A00197C	1A00197C	
437213-1	PANEL ASSY, SIDE	1A00202C	1A00202C	1A00202C	1A00202C	
437213-2	PANEL ASSY, SIDE	3A02284Y	3A02284Y	3A02284Y	3A02284Y	
546810	MOTOR ASSEMBLY, OUTDOOR	4681A20061A	4681A20061A	4681A20061A	4681A20061A	
552202	VALVE, REVERSING	3A02027B	3A02027B	-	-	
552203-1	VALVE, SERVICE	2A00392L	2A00392L	2A00392L	2A00392L	
552203-2	VALVE, SERVICE	2H02479F	2H02479F	2H02479F	2H02479F	
554030	CONDENSER ASSY, BENT	5403A20047B	5403A20047B	5403A20047F	5403A20047F	
554160	COMPRESSOR	5416A20031A	5416A20031A	5416A20031A	5416A20031A	
559010	FAN ASSEMBLY, PROPELLER	1A00195B	1A00195B	1A00195B	1A00195B	
561410	COIL ASSY, REVERSING VALVE	3A02028Y	3A02028Y	-	-	
649950	CONTROL BOX ASSEMBLY, OUTDOOR	4995A20167Z	4995A20167Z	4995A20027W	4995A20027W	
W0CZZ	CAPACITOR, DRAWING	2A00986C	2A00986C	2A00986C	2A00986C	

• Model: LT-D4880RJ/LT-D4880RH/LT-D4880FJ/LT-D4880FH



• Model: LT-D4880RJ/LT-D4880RH/LT-D4880FJ/LT-D4880FH

LOCATION NO.	DESCRIPTION	PART NO.				REMARK
		LT-D4880RJ	LT-D4880RH	LT-D4880FJ	LT-D4880FH	
135301	GRILLE,DISCHARGE	3530AP1225D	3530AP1225D	3530AP1225D	3530AP1225D	
137212	PANEL,SIDE	3720AP1215B	3720AP1215B	3720AP1215B	3720AP1215B	
268711	PWB(PCB) ASSY,DEICER	6871A20034A	6871A20034A	-	-	
269200	RELAY	3A00261C	3A00261C	-	-	
430410	BASE ASSY,WELD[OUTDOOR]	3041AP2569B	3041AP2569B	3041AP2569B	3041AP2569B	
435511	COVER ASSEMBLY,CONTROL(OUTDOOR)	3551A30014Y	3551A30014Y	3551A30014Z	3551A30014Z	
435512	COVER ASSY,TOP(OUTDOOR)	3550AP1213B	3550AP1213B	3550AP1213B	3550AP1213B	
437212	PANEL ASSY,REAR	3720AP1202C	3720AP1202C	3720AP1202C	3720AP1202C	
437910	PANEL ASSY,FRONT SUB	3720AP1212B	3720AP1212B	3720AP1212B	3720AP1212B	
546810	MOTOR ASSY,OUTDOOR	4681A20008R	4681A20008R	4681A20008R	4681A20008R	
548490	ACCUMULATOR ASSY(MECH)	4849A20001B	4849A20001B	4849A20001J	4849A20001J	
552203-1	VALVE,SERVICE	2A00393Q	2A00393Q	2A00499A	2A00499A	
552203-2	VALVE,SERVICE	2A00499A	2A00499A	2A00393Q	2A00393Q	
554031-1	CONDENSER ASSY,BENT	5403AP2378V	5403AP2378V	5403AP2378B	5403AP2378B	
554031-2	CONDENSER ASSY,BENT	5403AP2378X	5403AP2378X	5403AP2378B	5403AP2378B	
554160	COMPRESSOR	5416A20032A	5416A20032A	5416A20032A	5416A20032A	
559010	FAN ASSEMBLY,PROPELLER	1A00195B	1A00195B	1A00195B	1A00195B	
561410	COIL ASSY,REVERSING VALVE	3A02028B	3A02028B	-	-	
649950	CONTROL BOX ASSEMBLY,OUTDOOR	4995A10010P	4995A10010P	4995A10010S	4995A10010S	
666000	SWITCH,MAGNET	2A01031K	2A01031K	2A01031K	2A01031K	
W0CZZ	CAPACITOR,DRAWING	2A00986D	2A00986D	2A00986D	2A00986D	

