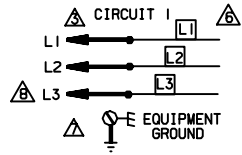
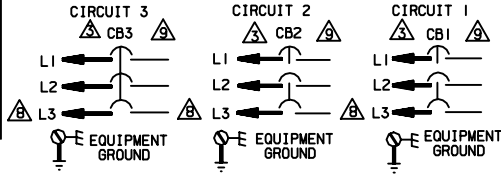


FIELD WIRING FOR ECB SERIES UNITS WITHOUT CIRCUIT BREAKERS



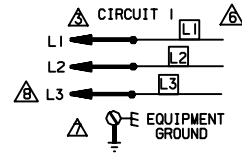
△ EQUIPMENT GROUND LOCATED IN INDOOR UNIT
 △ CONNECT POWER WIRES FROM HEATER LABELED L1, L2 ON "P" VOLTAGE UNITS AND L1, L2, L3 ON "Y" VOLTAGE UNITS TO TB2 TERMINAL STRIP IN INDOOR UNIT.

FIELD WIRING FOR ECB SERIES UNITS WITH CIRCUIT BREAKERS



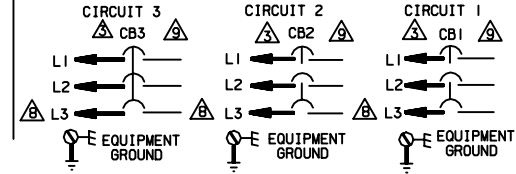
△ L3 IS NOT PRESENT ON (P) ELECTRIC HEATERS
 △ THE NUMBER OF CIRCUITS VARY ACCORDING TO HEATER MODEL REFER TO FAN COIL NAMEPLATE FOR ACTUAL NUMBER EMPLOYED

FIELD WIRING FOR ECB SERIES UNITS WITHOUT CIRCUIT BREAKERS

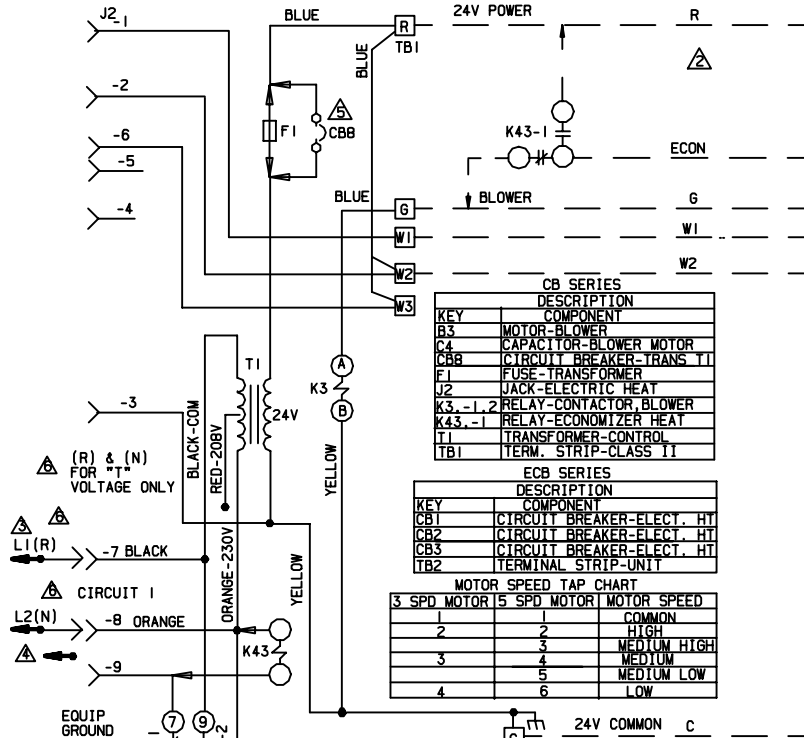


△ EQUIPMENT GROUND LOCATED IN INDOOR UNIT
 △ CONNECT POWER WIRES FROM HEATER LABELED L1, L2 ON "P" VOLTAGE UNITS AND L1, L2, L3 ON "Y" VOLTAGE UNITS TO TB2 TERMINAL STRIP IN INDOOR UNIT.

FIELD WIRING FOR ECB SERIES UNITS WITH CIRCUIT BREAKERS



△ L3 IS NOT PRESENT ON (P) ELECTRIC HEATERS
 △ THE NUMBER OF CIRCUITS VARY ACCORDING TO HEATER MODEL REFER TO FAN COIL NAMEPLATE FOR ACTUAL NUMBER EMPLOYED



KEY	DESCRIPTION
B3	MOTOR-BLOWER
C4	CAPACITOR-BLOWER MOTOR
CBB	CIRCUIT BREAKER-TRANS T1
F1	FUSE-TRANSFORMER
J2	JACK-ELECTRIC HEAT
K3, -1, 2	RELAY-CONTACTOR, BLOWER
K43, -1	RELAY-ECONOMIZER HEAT
T1	TRANSFORMER-CONTROL
TB1	TERM. STRIP-CLASS 11

KEY	DESCRIPTION
CB1	CIRCUIT BREAKER-ELECT. HT
CB2	CIRCUIT BREAKER-ELECT. HT
CB3	CIRCUIT BREAKER-ELECT. HT
TB2	TERMINAL STRIP-UNIT

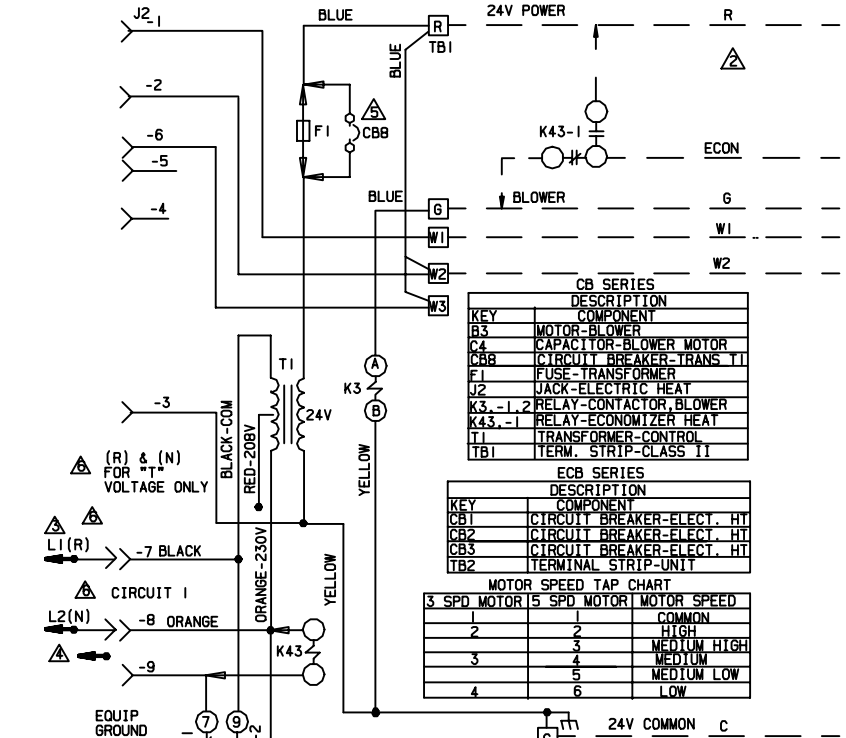
MOTOR SPEED TAP CHART		
3 SPD MOTOR	5 SPD MOTOR	MOTOR SPEED
1	1	COMMON
2	2	HIGH
3	3	MEDIUM HIGH
4	4	MEDIUM
5	5	MEDIUM LOW
6	6	LOW

△ REFER TO FACTORY BLOWER SPEED TAP SELECTION CHART ON UNIT FOR BLOWER SPEED INFORMATION
 △ NEC/CEC CLASS 2 3VA
 △ USE COPPER CONDUCTORS ONLY. REFER TO UNIT RATING PLATE FOR MINIMUM CIRCUIT AMPACITY AND MAXIMUM OVER-CURRENT PROTECTION SIZE
 △ L3 CONNECTION USED ON (Y) ELECTRIC HEATERS ONLY

LENNOX COILS-BLOWER COIL UNITS
 CB29M-21/26, 31, 41, 46, 51, 65-2-P, T
 CB30M-21/26, 31, 41, 46, 51, 65-2-P
 CB30U-21/26, 31, 41/46, 51, 65-2-P

Supersedes 0503 533,291W
 New Form No. 534,302W

△ CBB USED ON 51 AND 61 UNITS ONLY
 — LINE VOLTAGE FIELD WIRING
 - - CLASS II VOLTAGE FIELD WIRING



KEY	DESCRIPTION
B3	MOTOR-BLOWER
C4	CAPACITOR-BLOWER MOTOR
CBB	CIRCUIT BREAKER-TRANS T1
F1	FUSE-TRANSFORMER
J2	JACK-ELECTRIC HEAT
K3, -1, 2	RELAY-CONTACTOR, BLOWER
K43, -1	RELAY-ECONOMIZER HEAT
T1	TRANSFORMER-CONTROL
TB1	TERM. STRIP-CLASS 11

KEY	DESCRIPTION
CB1	CIRCUIT BREAKER-ELECT. HT
CB2	CIRCUIT BREAKER-ELECT. HT
CB3	CIRCUIT BREAKER-ELECT. HT
TB2	TERMINAL STRIP-UNIT

MOTOR SPEED TAP CHART		
3 SPD MOTOR	5 SPD MOTOR	MOTOR SPEED
1	1	COMMON
2	2	HIGH
3	3	MEDIUM HIGH
4	4	MEDIUM
5	5	MEDIUM LOW
6	6	LOW

△ REFER TO FACTORY BLOWER SPEED TAP SELECTION CHART ON UNIT FOR BLOWER SPEED INFORMATION
 △ NEC/CEC CLASS 2 3VA
 △ USE COPPER CONDUCTORS ONLY. REFER TO UNIT RATING PLATE FOR MINIMUM CIRCUIT AMPACITY AND MAXIMUM OVER-CURRENT PROTECTION SIZE
 △ L3 CONNECTION USED ON (Y) ELECTRIC HEATERS ONLY

LENNOX COILS-BLOWER COIL UNITS
 CB29M-21/26, 31, 41, 46, 51, 65-2-P, T
 CB30M-21/26, 31, 41, 46, 51, 65-2-P
 CB30U-21/26, 31, 41/46, 51, 65-2-P

Supersedes 0503 533,291W
 New Form No. 534,302W

△ CBB USED ON 51 AND 61 UNITS ONLY
 — LINE VOLTAGE FIELD WIRING
 - - CLASS II VOLTAGE FIELD WIRING