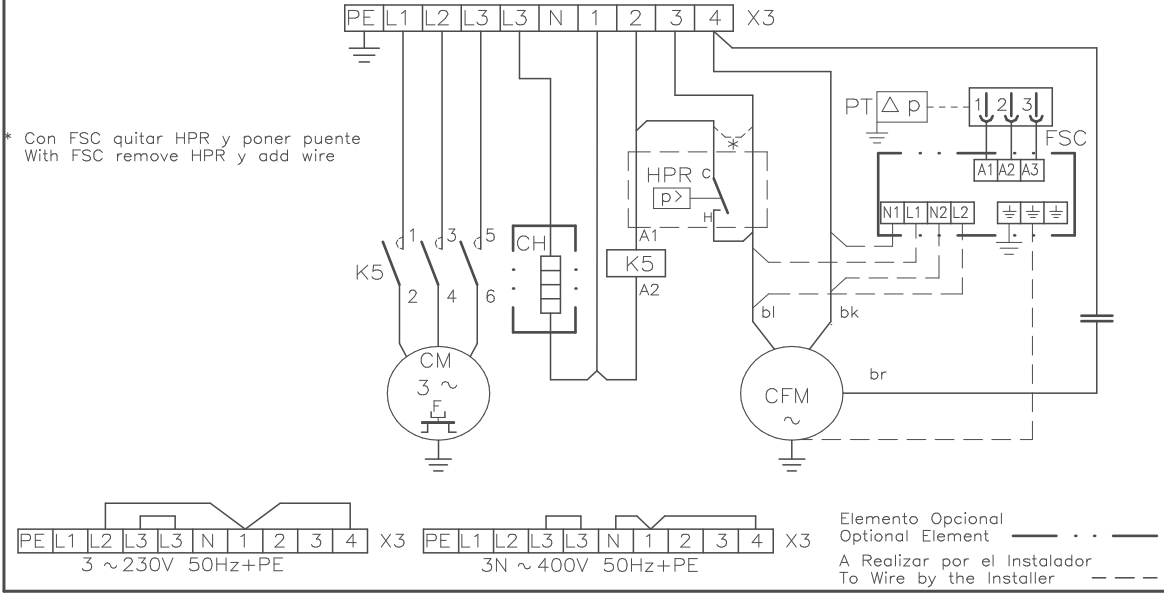


Lennox Refac S.A.	ESQUEMA ELECTRICO ELECTRIC DIAGRAM	33-915-959 38B 3 ~ 230V 50Hz+PE 3N ~ 400V 50Hz+PE
-------------------	---------------------------------------	---

CFM Motor Ventilador Exterior CM Motor Compresor FSC Control condensaci?n	Condenser Fan Motor Compressor Motor Fan Speed Control	K Contactor o rel? F Protecci?n T?rmica CH Calentador de Carter HPR Presostato c.condensaci?n PT Transmisor d presi?n	Contactor Thermal Protection Crank Case Heater Condensing pressostat Pressure transducer
---	--	---	--



Lennox Refac S.A.

ESQUEMA ELECTRICO  
ELECTRIC DIAGRAM

KJF 2K

4Z-33-915-959 38B  
3N 400V 50HZ + PE  
3 ~ 230V 50HZ + PE