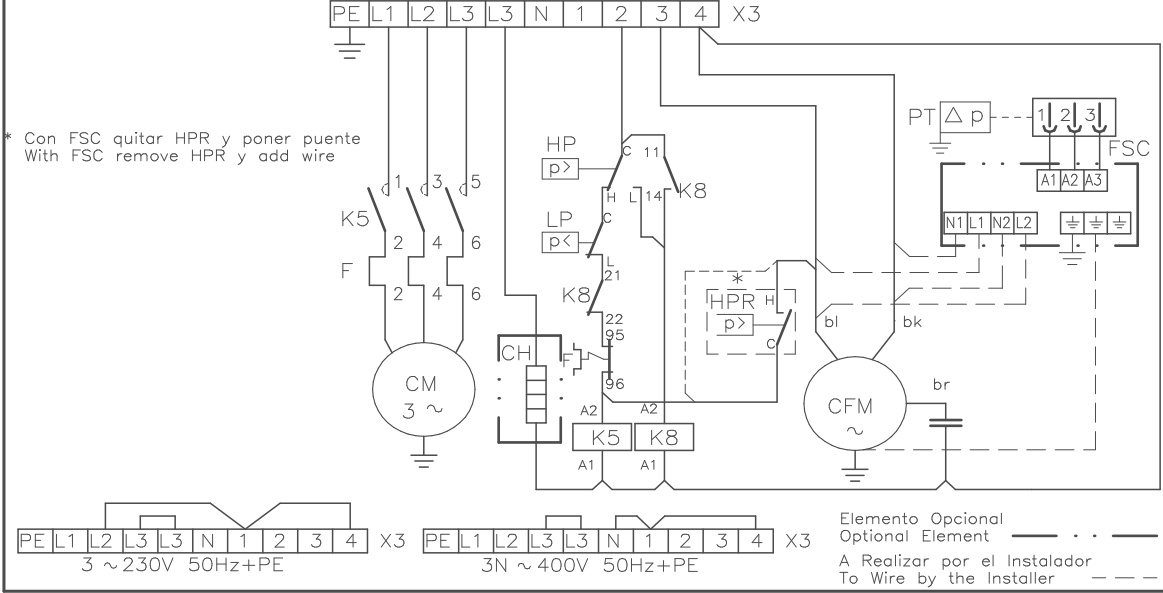


Lennox Refac S.A.	ESQUEMA ELECTRICO ELECTRIC DIAGRAM	33-917-959 38B 3 ~ 230V 50Hz+PE 3N ~ 400V 50Hz+PE
-------------------	---------------------------------------	---

CFM Motor Ventilador Exterior CM Motor Compresor FSC Control condensaci?n HP Presostato alta LP Presostato baja	Condenser Fan Motor Compressor Motor Fan Speed Control High pressure pressostat Low pressure pressostat	K Contactor o rel? F Protecci?n T?rmica CH Calentador de Carter HPR Presostato c.condensaci?n PT Transmisor d presi?n	Contactor Thermal Protection Crank Case Heater Condensing pressostat Pressure transducer
---	---	---	--



Lennox Refac S.A.

ESQUEMA ELECTRICO  
ELECTRIC DIAGRAM

**KJF 2,5K**

4Z-33-917-959 38B  
3N 400V 50HZ + PE  
3 ~ 230V 50HZ + PE