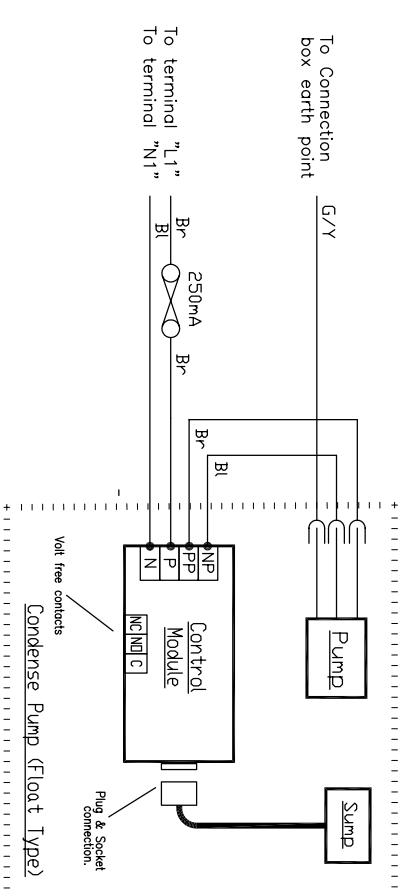
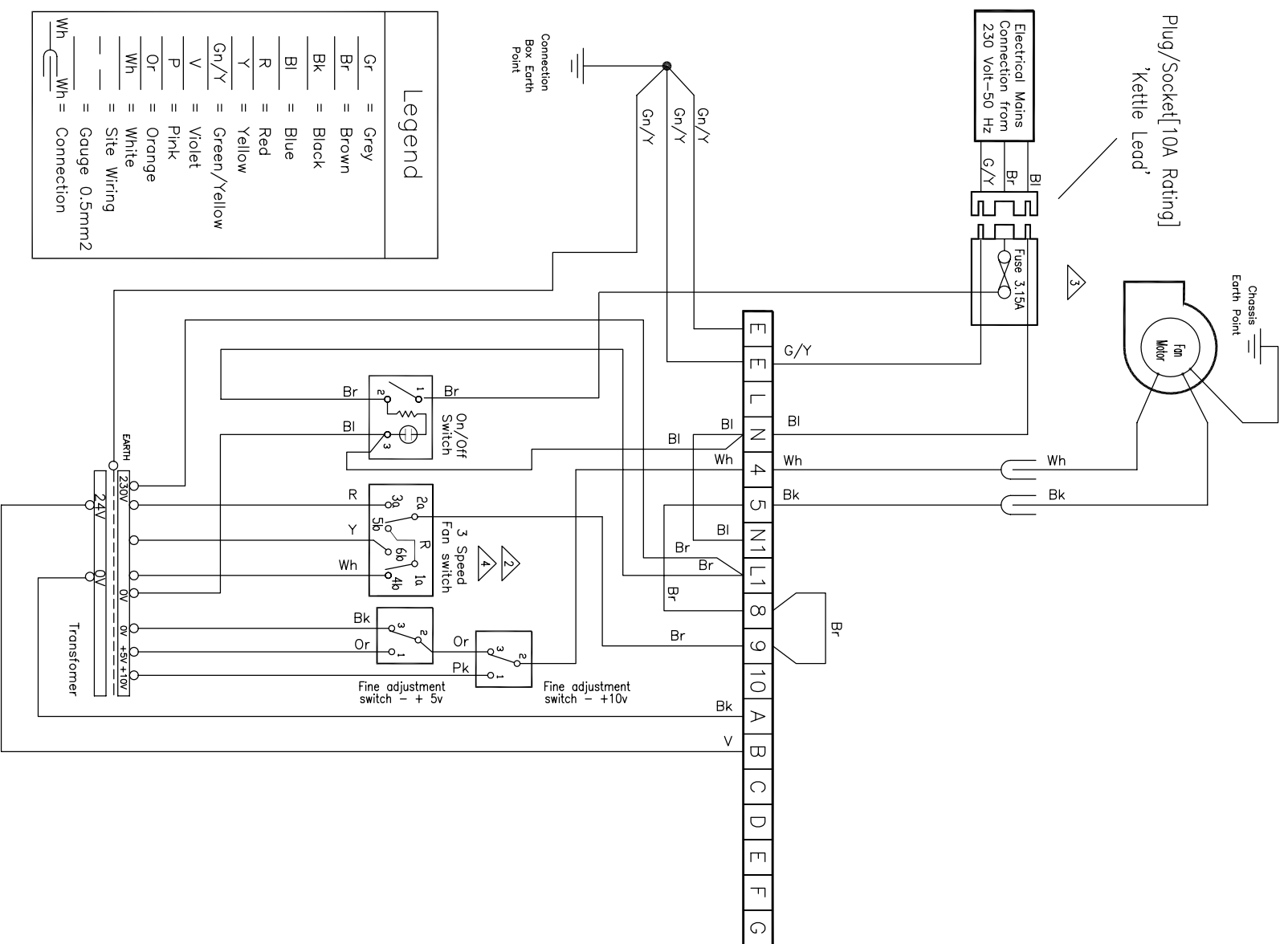


WIRING DIAGRAM



4 CONDENSATE PUMP..FLOAT TYPE [OPTIONAL]

LOAD 276 ISS JUN 96

REV NO.	DATE	REVISION	APPD	REV NO.	DATE	REVISION	APPD	REV NO.	DATE	REVISION	APPD
				4	031201	NEW FAN SWITCH NOS. ADDED COND. PUMP TYPE CHGD TO FLOAT FAN SPEED TABLE REMOVED.					
				3	210301	"MAINS" PLUG/SOCKET ADDED.					
				2	101000	FAN SPEED SWITCH REF. CONNS CHANGED TO SHOW ALTERNATIVE NUMBERING.					
				1	100400	PRODUCTION ISSUE BODICE OMANDED & CONDENSATE PUMP OPTION ADDED.					
				B	220399	SEE ECN UK990107					
				A	171298	INITIAL PROJECT RELEASE 1					

REV NO.	DATE	REVISION	APPD	USAGE	NEXT PRINT
				LC/LQWFC	

DESIGN OF:	LENNOX Industries Ltd. Northampton, England Tel: (01604) 599400	
FOR FINISH SPECS REFER TO:	3 SPEED SWITCH/2x FINE ADJUSTMENT SWITCHES.	
DRN BY:	S.A.	MATL. N/A
APPD BY:	NONE	SCALE NONE
CHKD BY:		SHEET NO. DRG. NO. Z304187
		© 17.12.98

DO NOT SCALE THIS PRINT ALL COMPONENTS MUST BE FREE FROM SHARP EDGES & SPIKES TOLERANCE UNLESS OTHERWISE NOTED LINEAL DIM., SQUARENESS, NOTCH & BRAKE RES. ± 1mm, ANGLES ± 2'. THIS DRAWING IS THE PROPERTY OF LENNOX INDUSTRIES LTD.