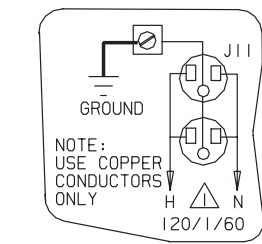
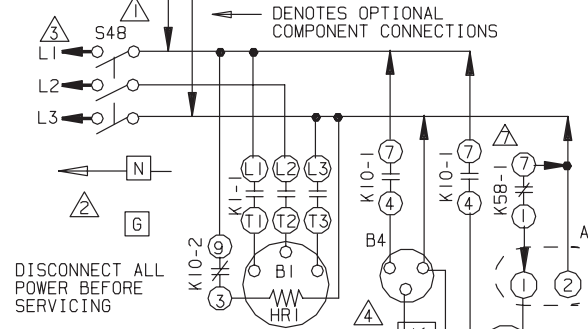


LETTER DESIGNATION	VOLTAGE
Y	208-230/60/3
G	460/60/3
J	575/60/3
M	380-420/50/3

KEY	DESCRIPTION COMPONENT
A46	CONTROL-OUTDOOR FAN
B1	COMPRESSOR I
B4	MOTOR-OUTDOOR FAN I
C1	CAPACITOR-OUTDOOR FAN I
CMC1	TIMER-DEFROST, COMPRESSOR I
HR1	HEATER-COMPRESSOR I
J11	JACK-GFI RECEPTACLE
J36	JACK-TEST, COOL
K1,-1	CONTACTOR-COMPRESSOR I
K4,-1,2	RELAY-DEFROST I
K6,-1	RELAY-LATCH
K8,-1,2	RELAY-TRANSFER
K10,-1,2	RELAY-OUTDOOR FAN I
K58,-1	RELAY-LOW AMB. KIT
L1	VALVE-REVERSING
P36	PLUG-TEST, COOL
RT13	SENSOR-AMBIENT
S4	SWITCH-LIMIT, HI PRESS COMP I
S5	THERMOSTAT-DISCHARGE LINE
S6	SWITCH-DEFROST
S11	SWITCH-LOW PRESS, LOW AMB KIT
S24	SWITCH-LOSS OF CHARGE
S46	SWITCH-DEFROST TERMINATION
S48	SWITCH-DISCONNECT
T32	TRANSFORMER-HOFFMEN CONTROL
TB14	TERMINAL STRIP-CLASS II VOLTAGE

- ⚠️ FACTORY INSTALLED OPTION
- ⚠️ "M" VOLTAGE UNITS ONLY
- ⚠️ REFER TO UNIT RATING PLATE FOR MINIMUM CIRCUIT AMPACITY AND MAXIMUM OVERCURRENT PROTECTION SIZE.
- ⚠️ WITH S11 & K58 ON-OFF FAN LOW AMBIENT CONTROL
- ⚠️ WITH A46 VARIABLE FAN LOW AMBIENT CONTROL
- ⚠️ PRIMARY OF 24 VOLT TRANSFORMER MUST BE PHASED WITH B4 FAN MOTOR. EXAMPLE: IF MOTOR IS HOOKED TO L1 & L3, TRANSFORMER PRIMARY MUST ALSO BE HOOKED ACROSS L1 & L3.
- ⚠️ WHEN K46 IS USED CONNECT K58-1 CONTACTS AS SHOWN WITH A46 HOOK-UP



DISCONNECT ALL POWER BEFORE SERVICING

IF ANY WIRE IN THIS APPLIANCE IS REPAIRED, IT MUST BE REPLACED WITH WIRE OF LIKE SIZE, RATING AND INSULATION THICKNESS.

WARNING- ELECTRIC SHOCK HAZARD, CAN CAUSE INJURY OR DEATH. UNIT MUST BE GROUNDED IN ACCORDANCE WITH NATIONAL AND LOCAL CODES.

WIRING DIAGRAM 0800	
HEAT PUMP- OUTDOOR UNITS	
LSA-090P-2-G, J, M, Y	
HEAT PUMP SECTION-B4	
Supersedes Form No. 532,657W	New Form No. 533,388W