

PRODUCT CATALOGUE



PROVIDING **GLOBAL SYSTEM** SOLUTIONS

CHILLED
WATER
CASSETTE
CWC



INTRODUCTION TO THE RANGE

The units are available in the following versions:

- 2 pipes
- 2 pipes - 2 wires (electrical resistance heater) - not available in 050 size
- 4 pipes (2 coil sets)

The main control unit is located in the cassette. This consists of:

- Slave cassette operating relays
- Connections via terminal strip



CONSTRUCTION

- Galvanized sheet casing, fully insulated inside and outside
- Plastic diffuser, with internal insulation to prevent condensation, easily accessible and suitable for any interior
- Three-speed centrifugal direct drive fans with low noise level
- Washable and easily accessible air filter
- Condensate drain pump as standard, with 500 mm delivery head
- Drainage tube

OPTIONS

- Electrical resistance heater
- Auxiliary condensate tray for collecting condensate from control valves
- Float kit for activating condensate pump, plus alarm contact
- Electro-mechanical or programmable thermostat
- Master / slave panel (1 master and up to 3 slaves)
- 2-way on-off valve kit, 2 tubes
- 2-way on-off valve kit, 4 tubes
- 3-way on-off valve kit, 2 tubes
- 3-way on-off valve kit, 4 tubes
- Fresh air kit
- Duct connection sleeve kit
- Metal diffuser for 600 x 600 cassettes



CWC 2 → 9 kW

GENERAL DATA

COMFAIR - 2 pipes version	CWC	20	30	40	50	70	90
Cooling capacity⁽¹⁾							
Cooling capacity	kW	2	3,5	4,4	5,2	6,7	8,5
Sensible capacity	kW	1,7	2,8	3,4	3,8	5,2	6,6
Chilled water flow	m ³ /h	0,345	0,600	0,745	0,900	1,16	1,45
Pressure drop	kPa	11	17	26	22	24	28
Heating capacity⁽²⁾							
Heating capacity	kW	2,8	4,4	5,1	6	9,1	10,6
Hot water flow	m ³ /h	0,345	0,600	0,680	0,825	1,16	1,48
Pressure drop	kPa	11	17	26	22	24	28
Heating capacity⁽³⁾							
Heating capacity	kW	4,70	7,00	7,90	9,60	14,9	17,3
Hot water flow	m ³ /h	0,404	0,600	0,680	0,830	1,28	1,5
Pressure drop	kPa	11	17	26	22	24	28
Electrical heater							
Capacity	kW	1,5	2	2	NA	4	4
Electrical data							
Voltage	V / Ph / Hz	230/1/50					
Motor power input	W	46	46	69	94	180	220
Nominal current	A	0,2	0,2	0,3	0,5	0,8	0,9
Blowing							
Minimum airflow	m ³ /h	445	445	600	650	1020	1200
Maximum airflow	m ³ /h	650	650	880	920	1400	1650
Sound power level at minimum airflow ⁽⁴⁾	dB(A)	32	32	38	39	41	42
Sound power level at maximum airflow ⁽⁴⁾	dB(A)	40	40	44	48	47	51

COMFAIR - 4 pipes version	CWC	20	30	40	50	70	90
Cooling capacity⁽¹⁾							
Cooling capacity	kW	1,95	2,70	3,50	4,20	5,80	7,05
Sensible capacity	kW	1,50	2,10	2,52	3,00	4,35	5,27
Chilled water flow	m ³ /h	0,330	0,465	0,570	0,720	1,00	1,21
Pressure drop	kPa	11	24	16	25	11	25
Heating capacity⁽²⁾							
Heating capacity	kW	1,40	3,00	3,30	4,00	6,45	8,65
Hot water flow	m ³ /h	0,120	0,260	0,280	0,350	0,555	0,745
Pressure drop	kPa	4	18	23	55	24	17
Heating capacity⁽³⁾							
Heating capacity	kW	1,40	3,00	3,30	4,00	6,45	8,65
Hot water flow	m ³ /h	0,120	0,260	0,280	0,350	0,555	0,745
Pressure drop	kPa	14	18	23	55	24	17
Electrical data							
Voltage	V / Ph / Hz	230/1/50					
Motor power input	W	46	46	69	94	180	220
Nominal current	A	0,2	0,2	0,3	0,5	0,8	0,9
Blowing							
Minimum airflow	m ³ /h	445	445	600	650	1020	1200
Maximum airflow	m ³ /h	650	650	880	920	1400	1650
Sound power level at minimum airflow ⁽⁴⁾	dB(A)	32	32	38	39	41	42
Sound power level at maximum airflow ⁽⁴⁾	dB(A)	40	40	44	48	47	51

NA : Not Available

(1) Cooling: Water inlet temperature: 7°C; water outlet temperature: 12°C; air inlet temperature: 27°C D.B - -19°C W.B

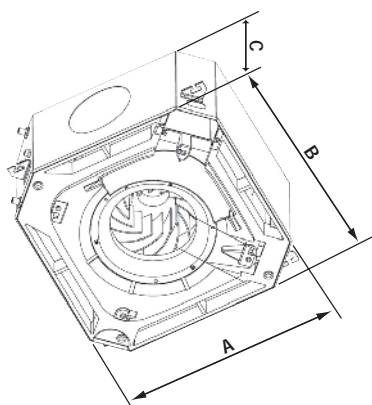
(2) Heating: Water inlet temperature: 50°C; water flow rate as in cooling mode; air inlet temperature: 20°C

(3) Heating: Water inlet temperature: 70°C; water outlet temperature: 60°C; air inlet temperature: 20°C

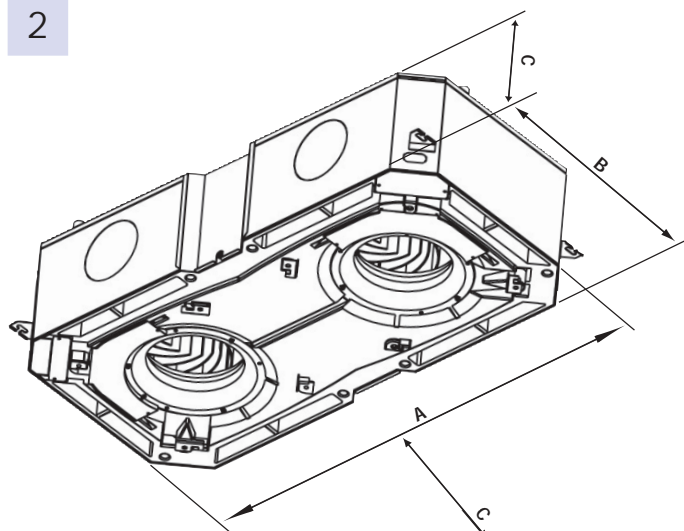
(4) Measured at 2 m from the unit; dimensions of the part depend on the dimensions of the unit

PHYSICAL DATA

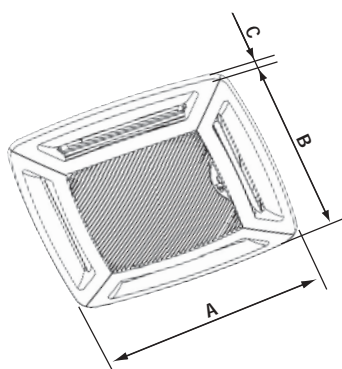
1



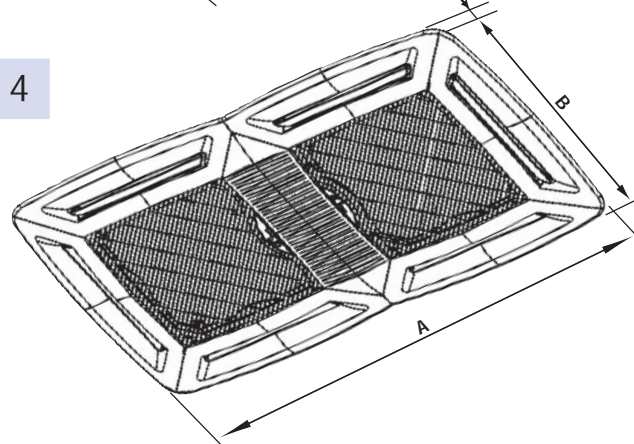
2



3



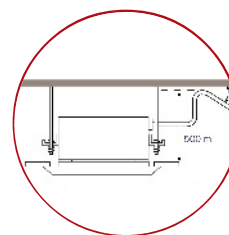
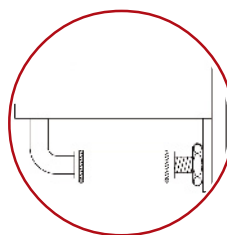
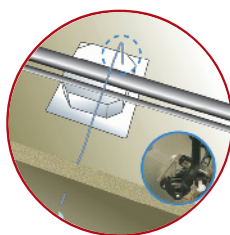
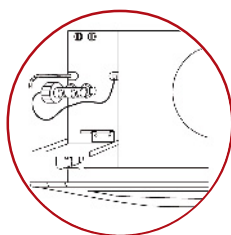
4



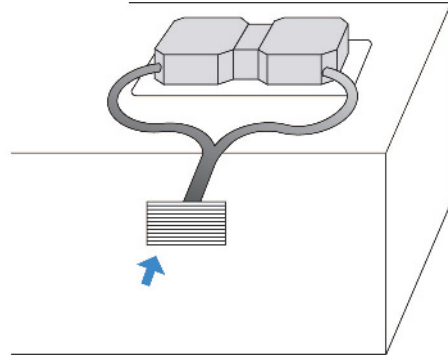
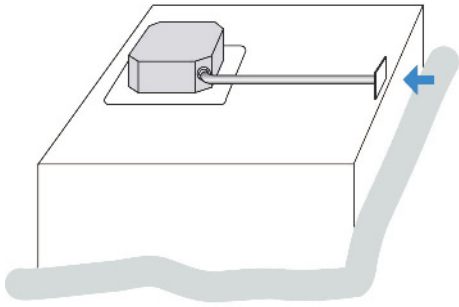
COMFAIR	CWC	20	30	40	50	70	90
Casing							
View		1	1	1	1	2	2
A		575	575	575	575	1175	1175
B		575	575	575	575	575	575
C		298	298	298	298	298	298
Weight		21	22	23	24	43	45
Diffuser							
View		3	3	3	3	4	4
A		720	720	720	720	1320	1320
B		720	720	720	720	720	720
C		48	48	48	48	48	48
Weight		3	3	3	3	5	5

PRINCIPLE DRAWINGS

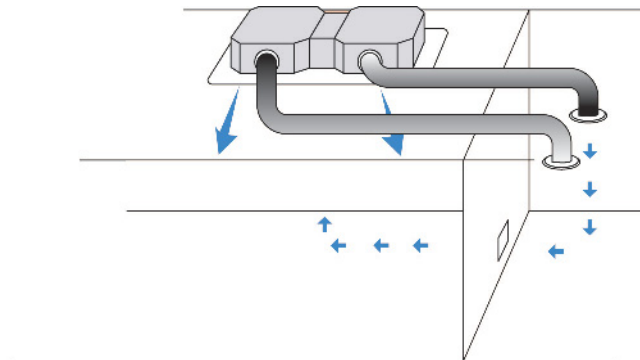
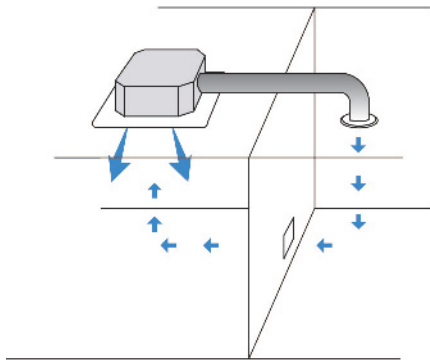
CONDENSATE DRAIN



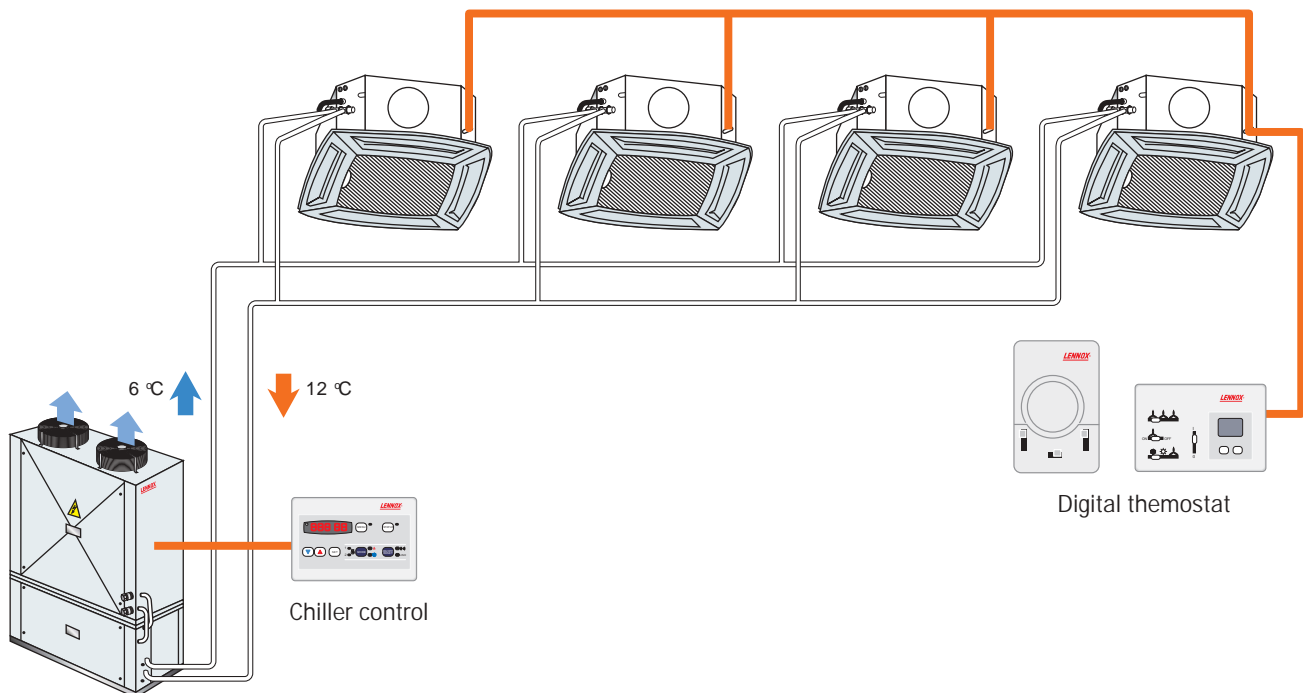
■ FRESH AIR SUPPLY



■ DUCT FOR BLOWING IN AN ADJACENT ROOM



■ INSTALLATION WITH A CHILLER



**BELGIUM,
LUXEMBOURG :** LENNOX BENELUX N.V./S.A.
tel. : + 32 3 633 30 45
fax : + 32 3 633 00 89
e-mail : info.be@lennoxbenelux.com

CZECH REPUBLIC : JANKA LENNOX a.s.
tel. : + 420 2 510 88 111
fax : + 420 2 579 10 393
e-mail : janka@janka.cz

FRANCE : LENNOX FRANCE
tel. : + 33 1 64 76 23 23
fax : + 33 1 64 76 35 75
e-mail : marketing.france@lennoxfrance.com

GERMANY : LENNOX DEUTSCHLAND GmbH
tel. : + 49 69 42 09790
fax : + 49 69 42 09 79 40
e-mail : info.de@lennoxdeutschland.com

NETHERLANDS : LENNOX BENELUX B.V.
tel. : + 31 33 2471 800
fax : + 31 33 2459 220
e-mail : info@lennoxbenelux.com

POLAND : LENNOX POLSKA Sp. z o.o.
tel. : + 48 22 832 26 61
fax : + 48 22 832 26 62
e-mail : info@lennoxpolska.pl

PORTUGAL : LENNOX PORTUGAL LDA.
tel. : +351 22 998 33 70
fax : +351 22 998 33 79
e-mail : info@lennoxportugal.com

RUSSIA : LENNOX DISTRIBUTION MOSCOW
tel. : + 7 095 933 29 55
fax : + 7 095 926 56 50
e-mail : lennox.dist.moscow@co.ru

SLOVAKIA : LENNOX SLOVENSKO s.r.o.
tel. : + 421 2 44 87 19 27
fax : + 421 2 44 88 64 72
e-mail : lennox.slovensko@lennox.sk

SPAIN : LENNOX REFAC S.A.
tel. : + 34 915 40 18 10
fax : + 34 915 42 84 04
e-mail : marketing@lennox-refac.com

UKRAINE : LENNOX DISTRIBUTION KIEV
tel. : + 380 44 213 14 21
fax : + 380 44 213 14 21
e-mail : jankauk@uct.kiev.ua

**UNITED KINGDOM ,
IRELAND :** LENNOX INDUSTRIES LTD
tel. : + 44 1604 669100
fax : + 44 1604 669150
e-mail : ukmarketing@lennoxind.com

**OTHER EUROPEAN COUNTRIES,
AFRICA,
MIDDLE-EAST :** LENNOX DISTRIBUTION
tel. : + 33 4 72 23 20 14
fax : + 33 4 72 23 20 28
e-mail : marketing@lennoxdist.com



LENNOX®

www.lennox europe.com

CWC-PCA-0903-E

Due to Lennox's ongoing commitment to quality, Specifications, Ratings and Dimensions subject to change without notice and without incurring liability. Improper installation, adjustment, alteration, service or maintenance can cause property damage or personal injury. Installation and service must be performed by a qualified installer and servicing agency.