

TXV VALVE FLARE ADAPTOR KIT

INSTALLATION INSTRUCTIONS FOR THE TXV FLARE ADAPTOR KIT FOR USE WITH CHATLEFF TYPE FITTING VALVES

SHIPPING AND PACKING LIST

Package 1 of 1 contains:

- 1- 1/2" flare adaptor
- 1- 3/8" flare adaptor
- 1- Double retaining seal
- 3- Teflon washers

APPLICATION

This kit is for use in changing Chatleff type valve over to a flared valve. The kit may only be used for valves with a 3/8" inlet and a 1/2" outlet. See table 1 for a list of Chatleff type valves which may apply this kit.

**TABLE 1
ADAPTER VALVE KIT APPLICATION**

VALVE KIT LB#	VALVE KIT CAT. #	USED WITH VALVE
LB-85663A	43J73	37J87
LB-85663B	43J74	37J88
LB-85663C	43J75	37J89
LB-85663D	43J76	37J90
LB-85663E	43J77	37J91
LB-85663F	49J24	48J07
LB-85663G	49J25	48J08
LB-85663H	49J26	48J09
LB-85759A	43J68	31J05
LB-85759B	43J69	31J06
LB-85759C	43J70	31J07
LB-85759D	43J71	31J08
LB-85759E	43J72	31J09
LB-85759F	56J19	37J69
LB-85759G	56J20	37J68

INSTALLATION

- 1- Replace any Teflon washers that are on the valve connections with the washers provided in this kit. Both the outlet and inlet of the valve must have the new washers at the fittings.
- 2- Attach the 1/2" flare adaptor to the outlet end of the valve. Tighten the connection to a torque of 20 foot-pounds to ensure a good seal.

- 3- Connect the double retaining seal from the kit to the inlet fitting of the valve.
- 4- Add the third Teflon washer to the inlet fitting of the valve on the double retaining seal.
- 5- Connect the 3/8" flare adaptor to the inlet fitting on the valve. Tighten the connection to a torque of 20 foot-pounds to ensure a good seal.

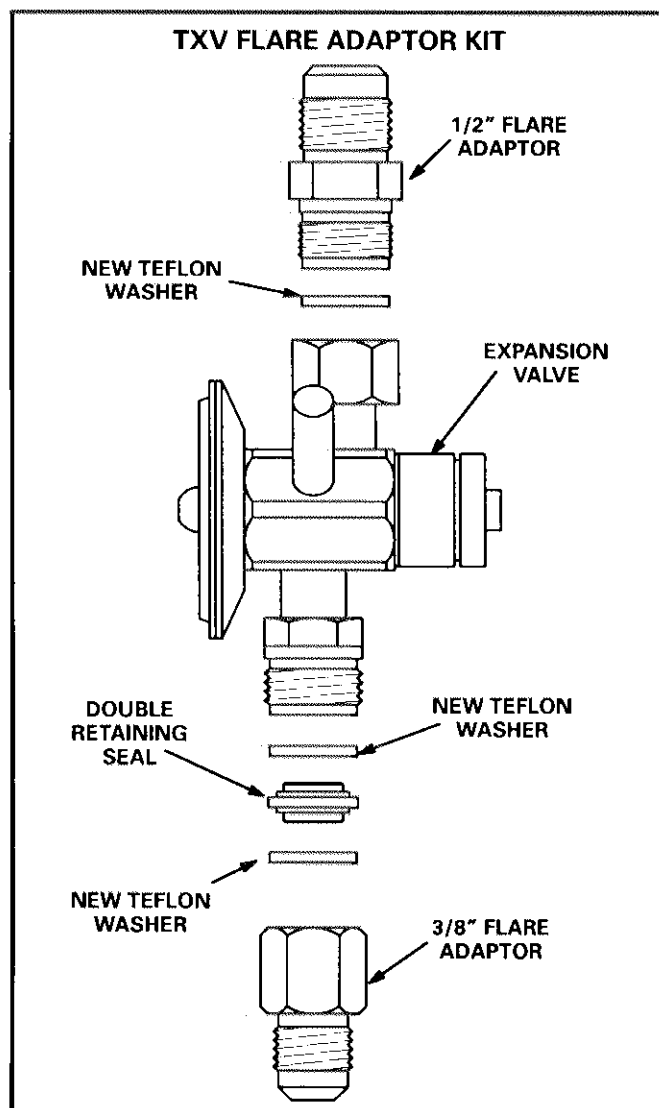


FIGURE 1