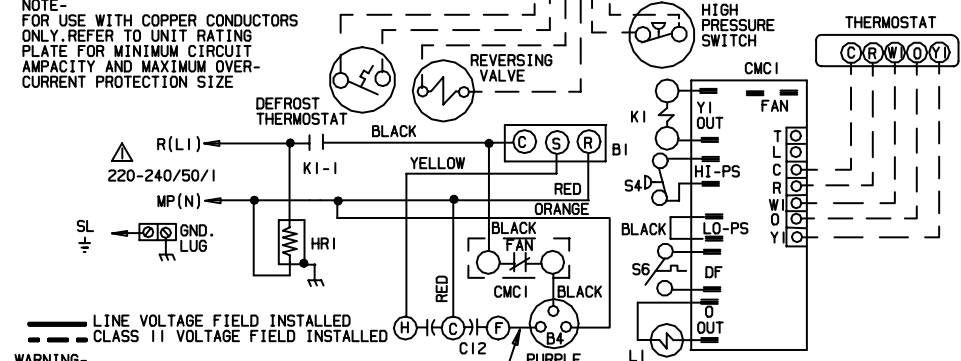


NOTE-  
FOR USE WITH COPPER CONDUCTORS  
ONLY. REFER TO UNIT RATING  
PLATE FOR MINIMUM CIRCUIT  
AMPACITY AND MAXIMUM OVER-  
CURRENT PROTECTION SIZE



— LINE VOLTAGE FIELD INSTALLED  
- - - CLASS 11 VOLTAGE FIELD INSTALLED

WARNING-  
ELECTRIC SHOCK HAZARD, CAN CAUSE INJURY OR  
DEATH. UNIT MUST BE GROUND IN ACCORDANCE  
WITH NATIONAL AND LOCAL CODES.

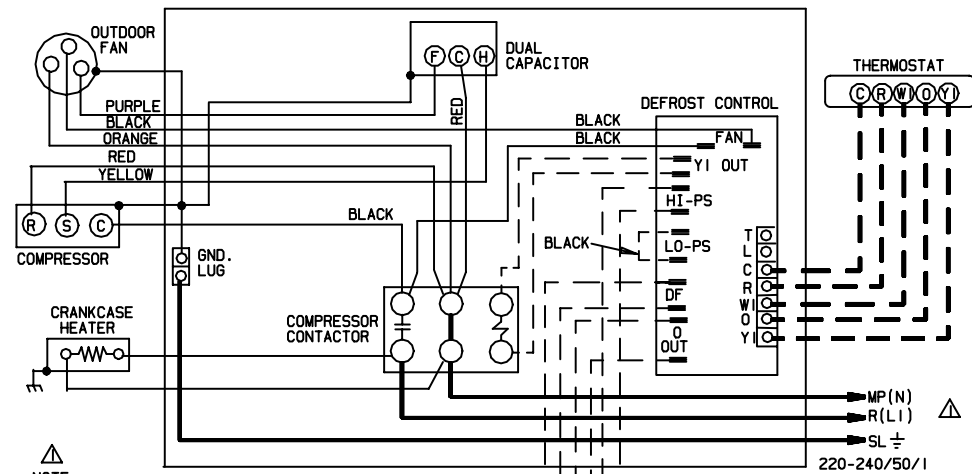
KEY	DESCRIPTION
	COMPONENT
B1	COMPRESSOR
B4	MOTOR-OUTDOOR FAN
C12	CAPACITOR-DUAL
CMC1	CONTROL-DEFROST
HR1	HEATER-COMPRESSOR
K1-I	CONTACTOR-COMPRESSOR
L1	VALVE-REVERSING
S4	SWITCH-HIGH PRESSURE
S6	SWITCH-DEFROST

**LENNOX** HEAT PUMP-OUTDOOR UNITS

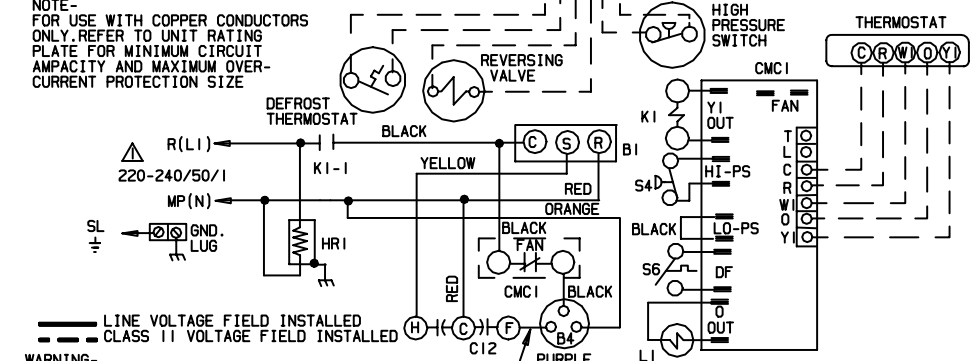
HP40-024-4T-INT	
HP40-036-4T-INT	
HEAT PUMP SECTION-B	
Supersedes	
	1201 533,827W
New Form No.	
	533,936W

©2001 Lennox Industries Inc.

Litho U.S.A.



NOTE-  
FOR USE WITH COPPER CONDUCTORS  
ONLY. REFER TO UNIT RATING  
PLATE FOR MINIMUM CIRCUIT  
AMPACITY AND MAXIMUM OVER-  
CURRENT PROTECTION SIZE



— LINE VOLTAGE FIELD INSTALLED  
- - - CLASS 11 VOLTAGE FIELD INSTALLED

WARNING-  
ELECTRIC SHOCK HAZARD, CAN CAUSE INJURY OR  
DEATH. UNIT MUST BE GROUND IN ACCORDANCE  
WITH NATIONAL AND LOCAL CODES.

KEY	DESCRIPTION
	COMPONENT
B1	COMPRESSOR
B4	MOTOR-OUTDOOR FAN
C12	CAPACITOR-DUAL
CMC1	CONTROL-DEFROST
HR1	HEATER-COMPRESSOR
K1-I	CONTACTOR-COMPRESSOR
L1	VALVE-REVERSING
S4	SWITCH-HIGH PRESSURE
S6	SWITCH-DEFROST

**LENNOX** HEAT PUMP-OUTDOOR UNITS

HP40-024-4T-INT	
HP40-036-4T-INT	
HEAT PUMP SECTION-B	
Supersedes	
	1201 533,827W
New Form No.	
	533,936W

©2001 Lennox Industries Inc.

Litho U.S.A.