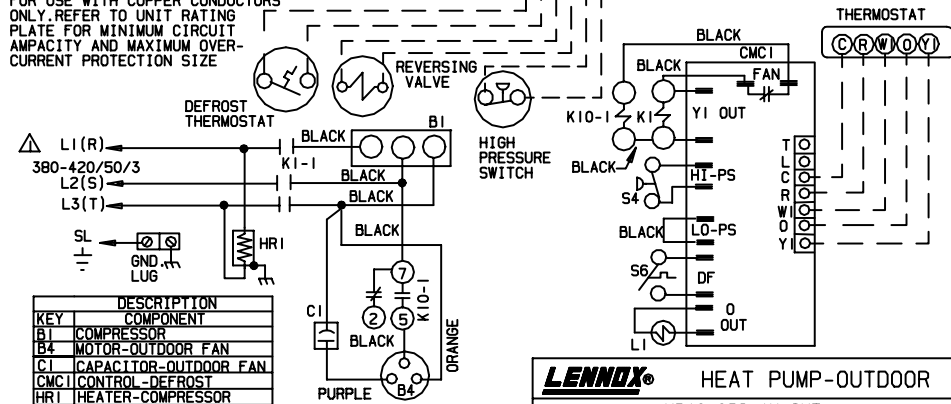


NOTE-  
FOR USE WITH COPPER CONDUCTORS  
ONLY. REFER TO UNIT RATING  
PLATE FOR MINIMUM CIRCUIT  
CAPACITY AND MAXIMUM OVER-  
CURRENT PROTECTION SIZE



KEY	DESCRIPTION
	COMPONENT
B1	COMPRESSOR
B4	MOTOR-OUTDOOR FAN
C1	CAPACITOR-OUTDOOR FAN
CMC1	CONTROL-DEFROST
HRI	HEATER-COMPRESSOR
K1-1	CONTACTOR-COMPRESSOR
K10-1	RELAY-OUTDOOR FAN
L1	VALVE-REVERSING
S4	SWITCH-HIGH PRESSURE
S6	SWITCH-DEFROST

— LINE VOLTAGE FIELD INSTALLED  
 - - - CLASS 11 VOLTAGE FIELD INSTALLED

WARNING-  
ELECTRIC SHOCK HAZARD, CAN CAUSE INJURY OR  
DEATH. UNIT MUST BE GROUND IN ACCORDANCE  
WITH NATIONAL AND LOCAL CODES.

**LENNOX** HEAT PUMP-OUTDOOR

HP40-036-4M-INT  
 HP40-048-4M-INT  
 HP40-060-4M-INT

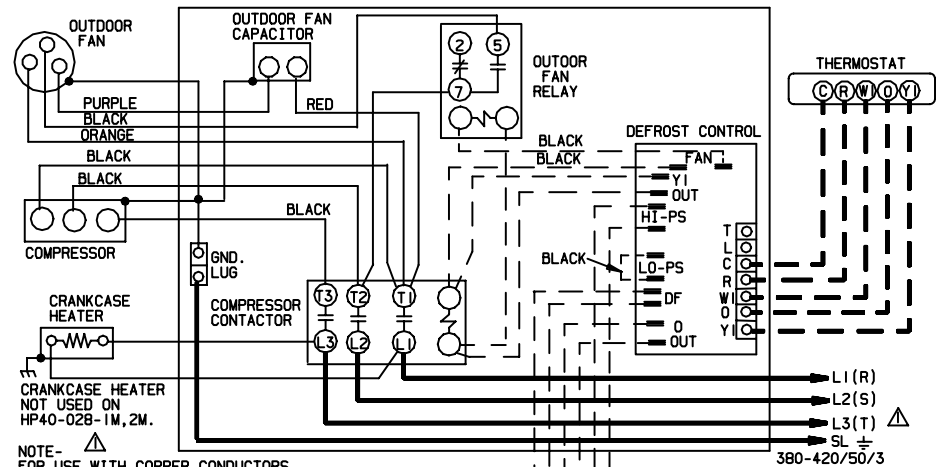
HEAT PUMP SECTION-B

Supersedes  
 0204 533,935W

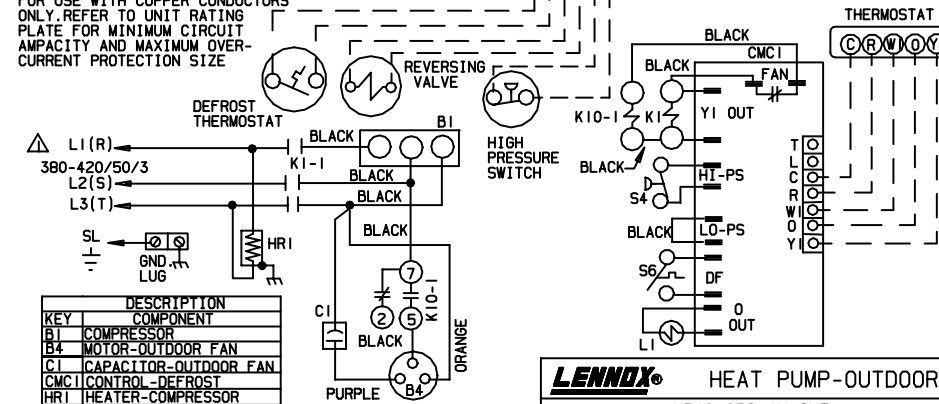
New Form No.  
 534,616W

©2004 Lennox Industries Inc.

LiHo U.S.A.



NOTE-  
FOR USE WITH COPPER CONDUCTORS  
ONLY. REFER TO UNIT RATING  
PLATE FOR MINIMUM CIRCUIT  
CAPACITY AND MAXIMUM OVER-  
CURRENT PROTECTION SIZE



KEY	DESCRIPTION
	COMPONENT
B1	COMPRESSOR
B4	MOTOR-OUTDOOR FAN
C1	CAPACITOR-OUTDOOR FAN
CMC1	CONTROL-DEFROST
HRI	HEATER-COMPRESSOR
K1-1	CONTACTOR-COMPRESSOR
K10-1	RELAY-OUTDOOR FAN
L1	VALVE-REVERSING
S4	SWITCH-HIGH PRESSURE
S6	SWITCH-DEFROST

— LINE VOLTAGE FIELD INSTALLED  
 - - - CLASS 11 VOLTAGE FIELD INSTALLED

WARNING-  
ELECTRIC SHOCK HAZARD, CAN CAUSE INJURY OR  
DEATH. UNIT MUST BE GROUND IN ACCORDANCE  
WITH NATIONAL AND LOCAL CODES.

**LENNOX** HEAT PUMP-OUTDOOR

HP40-036-4M-INT  
 HP40-048-4M-INT  
 HP40-060-4M-INT

HEAT PUMP SECTION-B

Supersedes  
 0204 533,935W

New Form No.  
 534,616W

©2004 Lennox Industries Inc.

LiHo U.S.A.