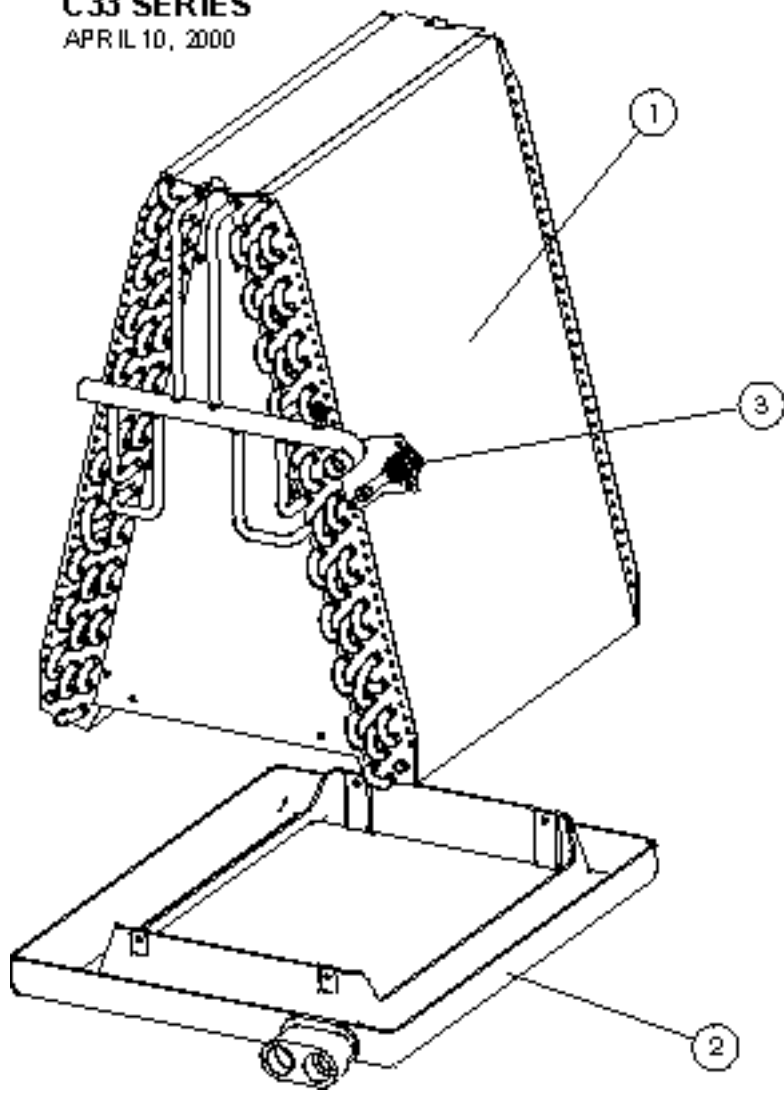


**C33 SERIES**  
APRIL 10, 2000



C35-60D-2F				DASH/Revision # with Qty	
Key	Part Name	Part Number	Description	1	20
Category:PARTS LISTING					
1			* ALUMINUM COILS *	1	1
3			COIL-INDOOR (NOTE 2)	1	1
	C35-60D-6F-1 Coil/ 5 Ton/Cased	10C80	C35-60D-6F-1 ALUM/5 Ton/Cased	1	1
4			DIST ASSY ALL C35 COILS (NOTE 3)	1	1
5	PAN-DRAIN	79L0901	PAN-DRAIN	1	1
6	LIQUID LINE KIT	LB-95325A	Liquid Line	1	1
7	ELBOW	LB-95945A	Elbow Assembly	1	1

**NOTE**

## Note1:

ORIGINAL BUILT COILS CAME WITH THE METERING DEVICE MOUNTED INTERNAL TO CABINET OR PLENUM. TO OVERCOME THE ISSUE OF EXTERNAL MOUNTING OF THE METERING DEVICE IN THE FIELD, FOUR FACTORY KITS WERE ASSEMBLED. THE KITS WERE SET UP FOR ORIGINAL BUILT COILS AND ARE NOT SET UP AS A REPLACEMENT PARTS KIT. INDIVIDUAL PARTS CAN BE ORDERED FOR FIELD REPLACEMENT(NOTE:THE LB-95325A(69J46) AS A REPLACEMENT COMES WITH 10 COMPLETE LIQUID LINE ASSEMBLIES AND 20-O RINGS. A KIT WAS NOT MADE UP FOR THE LB-95945C(96L90-90 DEGREE 7/8 BY 1-1/8" ELBOW.)

## THE ORIGINAL KITS CONTAINED THE FOLLOWING PARTS:

99L04(LB-99338)-1-LB-95945A-3/4" SUCTION LINE ELBOW & 1-LB-95325A LIQUID LINE ORIFICE HOUSING, LIQUID LINE STUB, LIQUID LINE COMPRESSION FITTING AND 2-O RINGS.

99L05(LB-99339)-1-LB-95945B-7/8" SUCTION LINE ELBOW & 1-LB-95325A LIQUID LINE ORIFICE HOUSING, LIQUID LINE STUB, LIQUID LINE COMPRESSION FITTING AND 2-O RINGS.

## FOR UNCASSED COILS ONLY:

99L06(LB-99340)1-LB-95945A-3/4" SUCTION LINE ELBOW & 1-LB-95325A LIQUID LINE ORIFICE HOUSING, LIQUID LINE STUB, LIQUID LINE COMPRESSION FITTING AND 2-O RINGS. THE KITS ALSO CONTAINED 1 TWO PIECE PATCH PLATE. IF REQUIRED THIS PLATE WILL HAVE TO BE SPECIAL ORDERED FROM PARTS ADMIN AS LB-99342 & LB-99343 OR BE FIELD FABRICATED AS IT IS NOT SET UP AS A REPLACEMENT PART.

99L07(LB-99341)1-LB-95945B-7/8" SUCTION LINE ELBOW & 1-LB-95325A LIQUID LINE ORIFICE HOUSING, LIQUID LINE STUB, LIQUID LINE COMPRESSION FITTING AND 2-O RINGS. THE KITS ALSO CONTAINED 1 TWO PIECE PATCH PLATE. IF REQUIRED THIS PLATE WILL HAVE TO BE SPECIAL ORDERED FROM PARTS ADMIN AS LB-99342 & LB-99343 OR BE FIELD FABRICATED AS IT IS NOT SET UP AS A REPLACEMENT PART.

## Note2:

THE REPAIR COIL IS NOT AVAILABLE AS A SEPARATE PART. A COMPLETE In-PRODUCTION COIL MUST BE ORDERED. IF COIL IS OUT OF PRODUCTION REPLACE WITH ONE THAT IS.

## Note3:

DISTRIBUTOR ASSEMBLIES ARE NOT SET UP AS A REPAIR PART. IF COIL HAS MULTIPLE LEAKS IN THE DISTRIBUTOR ASSEMBLY, THE COIL SHOULD BE REPLACED.