

1	2	3	4	5	6	7	8	
<b>Document list</b>								
A	Document type	Sheet	Description			Rev.		
	0 Copertina	1	Document list					
	1 Specifiche elettriche	2	Electrical specification					
	2 Schema elettrico	3	Power					
	2 Schema elettrico	4	Power					
	2 Schema elettrico	5	Auxiliaries 24V					
	B	2 Schema elettrico	6	Auxiliaries 24V				
		2 Schema elettrico	7	Auxiliaries 24V				
		2 Schema elettrico	8	Auxiliaries 24V				
		2 Schema elettrico	9	Auxiliaries 24V				
		2 Schema elettrico	10	Auxiliaries 24V				
		2 Schema elettrico	11	Auxiliaries 24V				
		2 Schema elettrico	12	Auxiliaries 24V				
		2 Schema elettrico	13	Auxiliaries 24V				
		3 Layout	14	Layout				
		3 Layout	15	Layout				
		C	3 Layout	16	Layout			
	3 Layout		17	Layout				
	3 Layout		18	Layout				
	3 Layout		19	Layout				
	4 Lista componenti		20	Component list				
4 Lista componenti	21		Component list					
D								
E								
F								

Wire Colour Code	
BLACK	Power 400V
RED	Auxiliaries 24V AC
BLUE	Auxiliaries 24V DC
YELLOW/GREEN	Earth

Reference code: / 3 .6

Sheet ← → Column

Customer:
Order:
Supply: 400 V 50 Hz
Auxiliary circuits: 24 V
NOTE 1
NOTE 2
NOTE 3

c	Date	15.04.2000	<b>HIROSS</b> <small>S.p.A.</small>	Wiring diagram name	CD0205E01-F	Code	317801	F	400 Vac 50 Hz	Document List			
b	Signature	T.A.											
a	Contr.												
Modificat	Date	Date	Norm.	EN60204-1	Replaced for:	Replaced by:	Origin:	TYPE:	CP/HIMOD25-35C	File:	317801	0 Copertina Sheet 1 of 21	Continue

1

2

3

4

5

6

7

8

Electrical specification-Specifiche elettriche-Elektrische Angaben

A)FAN 1  
VENTILATORE 1  
VENTILATOR 1

Un 400 3-50Hz  
No.1 Pa 2,3kW  
Ia 4,3A 1260rpm cosf=0,85

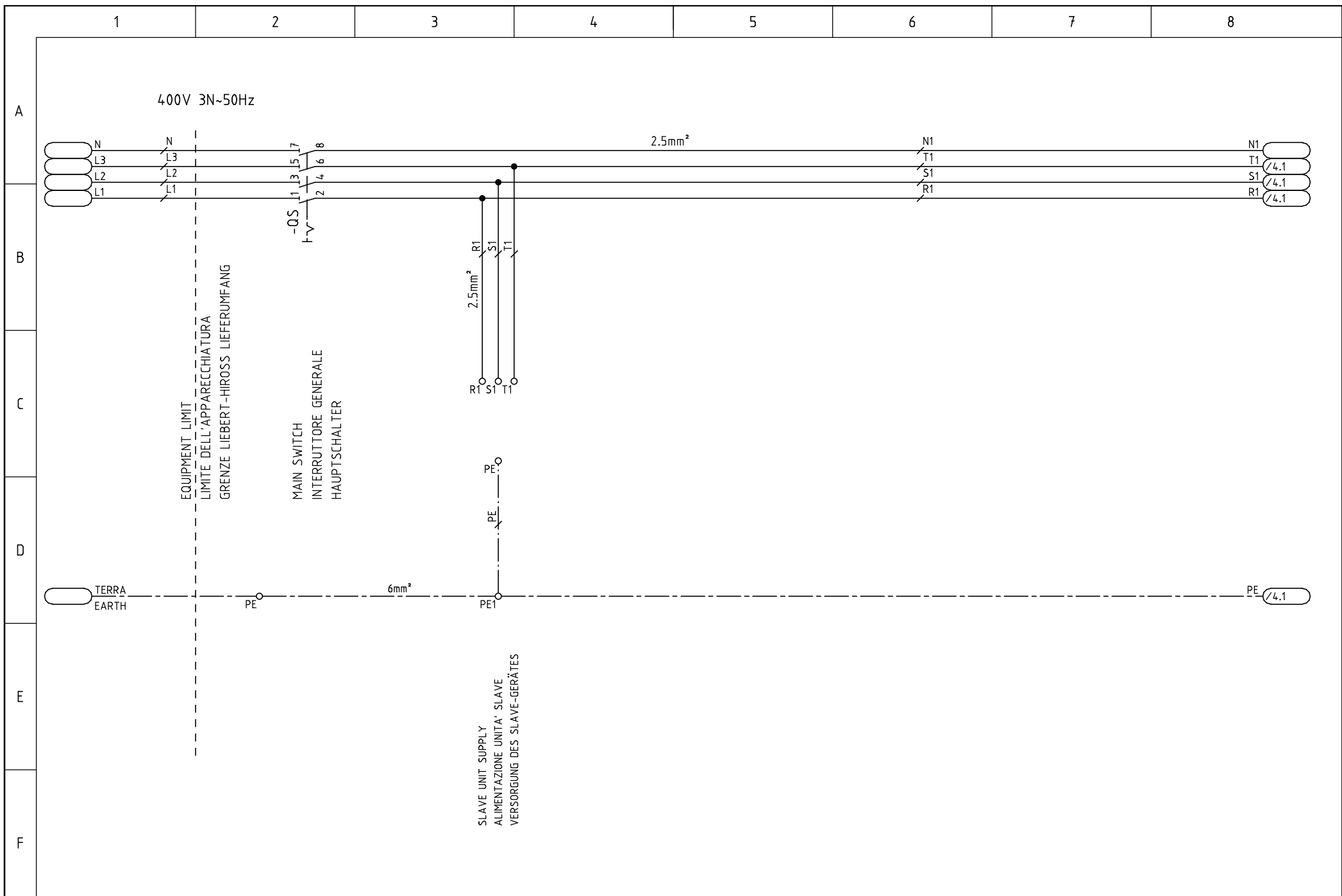
SUPPLY LINE-LINEA ALIMENTAZIONE-SPANNUNGSVERSORGING

3-Phases +NEUTRAL+ EARTH (PE) 400V +N 50Hz  
3-Fasi +NEUTRO + TERRA (PE)  
3-Phasen + NULLEITER + Erdung (PE)

I <sub>max</sub> :25-35U/0
5A

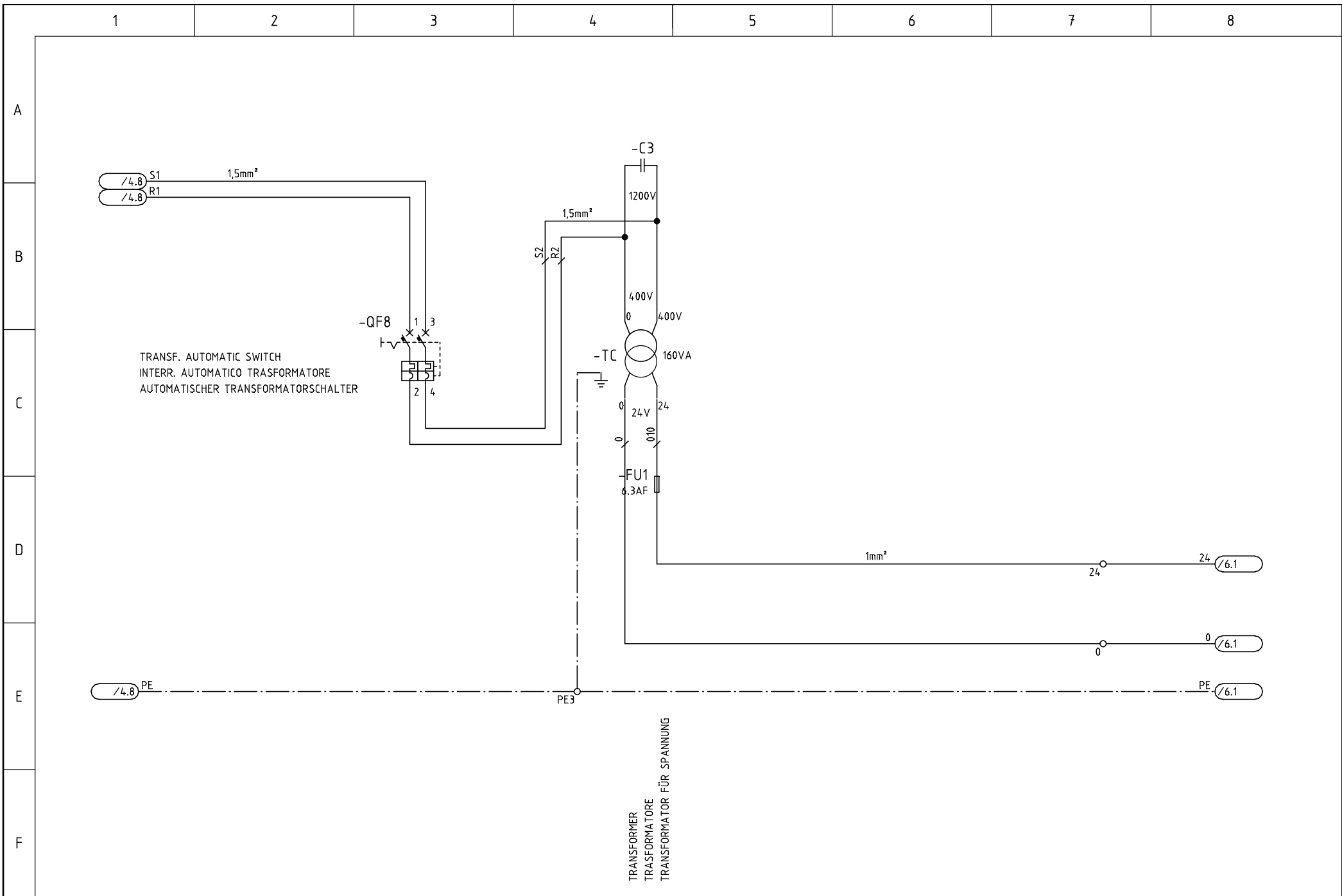
THIS DIAGRAM IS CARRIED OUT ACCORDING TO EUROPEAN STD EN60204-1-2

c			Date	15.04.2000	<b>HIROSS</b> S.p.A.	Wiring diagram name	Code	F	400 Vac 50 Hz	Electrical specification		
b			Signature			CD0205E01-F	317801			1 Specifiche elettriche		
a			Contr.									
Modification	Date	Date	Norm.	EN60204-1	Replaced for:	Replaced by:	Origin:	TYPE:	CP/HIMOD25-35C	File: 317801	Sheet 2 of 21	Continue

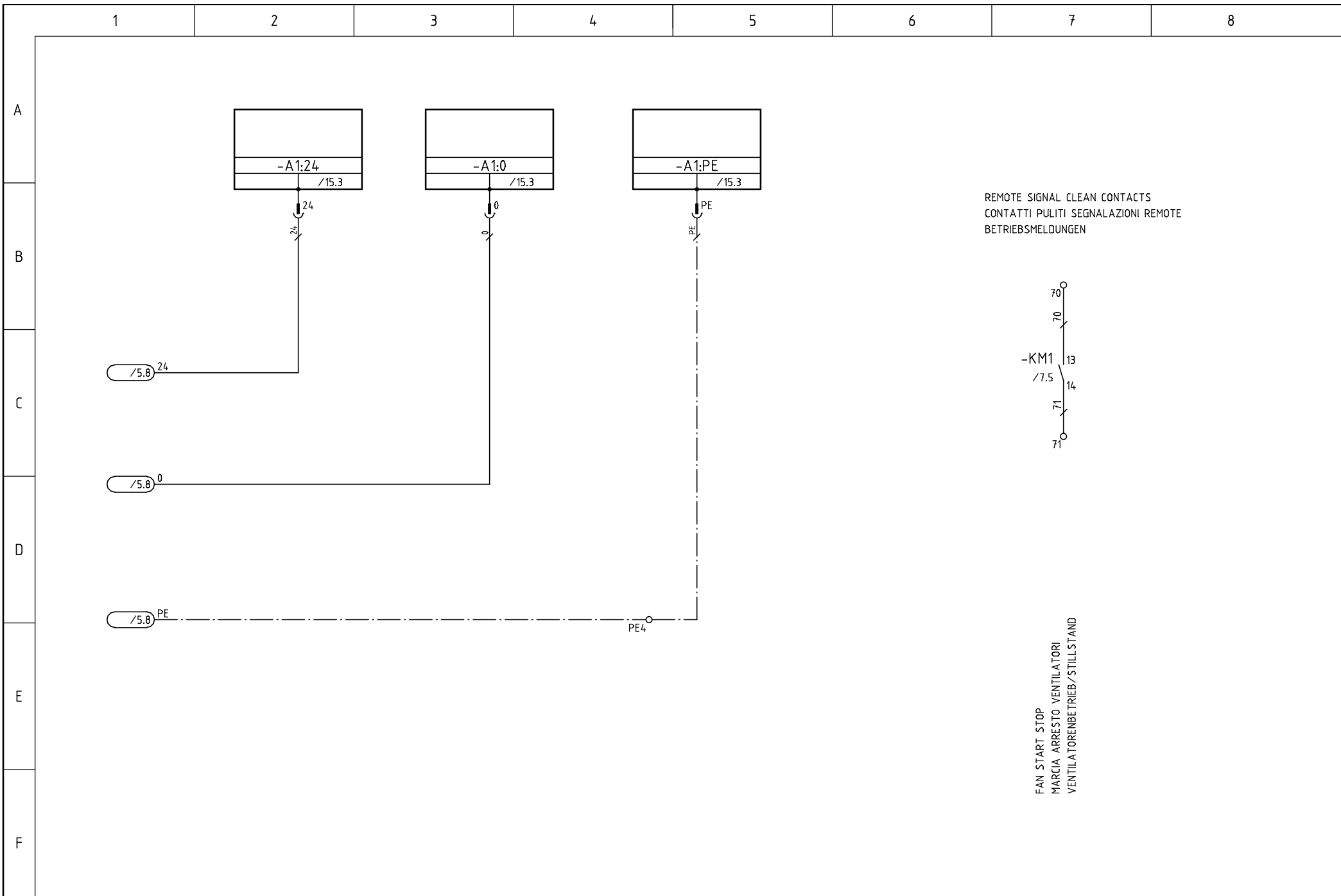


c		Date	15.04.2000		Wiring diagram name	Code	F	400 Vac 50 Hz							
b		Signature	[Signature]		CD0205E01-F	317801			Power						
a		Contr.	[Signature]				TYPE:	CP/HIMOD25-35C	File:	317801					
	Modification	Date	Date	Norm.	EN60204-1	Replaced for:		Replaced by:		Origin:			2 Schema elettrico	Sheet 3 of 21	Continue 4

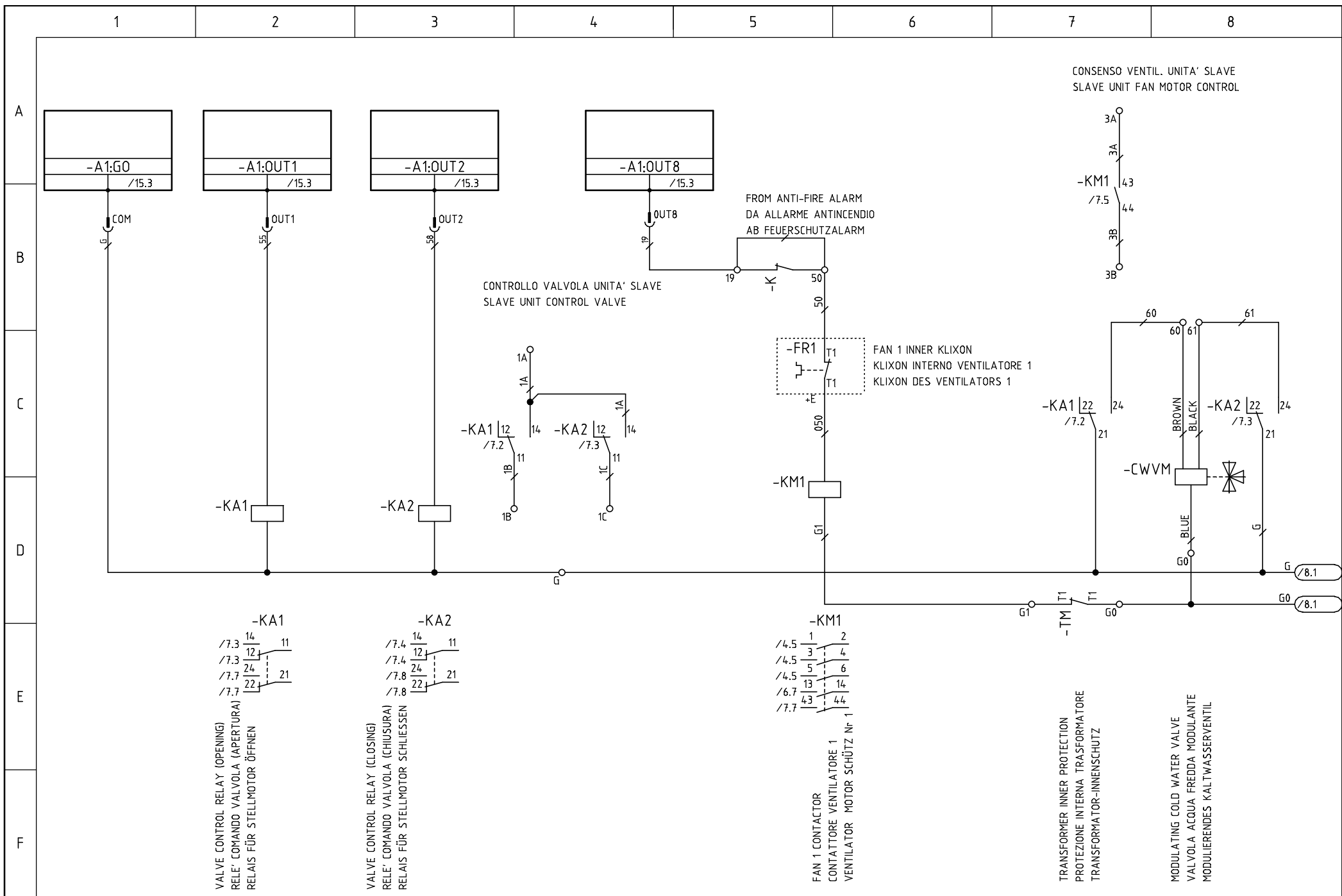




c		Date	15.04.2000		Wiring diagram name	Code	F	400 Vac 50 Hz	Auxiliaries 24V			
b		Signature	#.A.									
a		Contr.	s.p.A.									
	Modification	Date	Norm.	EN60204-1	Replaced for:	Replaced by:	Origin:	CP/HIMOD25-35C	File: 317801	2 Schema elettrico	Sheet 5 of 21	Continue 6



c		Date	15.04.2000	<b>HIROSS</b> S.p.A.	Wiring diagram name	Code	F	400 Vac 50 Hz	Auxiliaries 24V	
b		Signature			CD0205E01-F	317801				
a		Contr.								
Modification	Date	Date	Norm.	EN60204-1	Replaced for:	Replaced by:	Origin:	TYPE:	CP/HIMOD25-35C	
								File:	317801	2 Schema elettrico
								Sheet 6 of 21		Continue 7



-KA1  
 /7.3 14 11  
 /7.3 12 11  
 /7.7 24 21  
 /7.7 22 21  
 VALVE CONTROL RELAY (OPENING)  
 RELE' COMANDO VALVOLA (APERTURA)  
 RELAIS FÜR STELLMOTOR (ÖFFNEN)

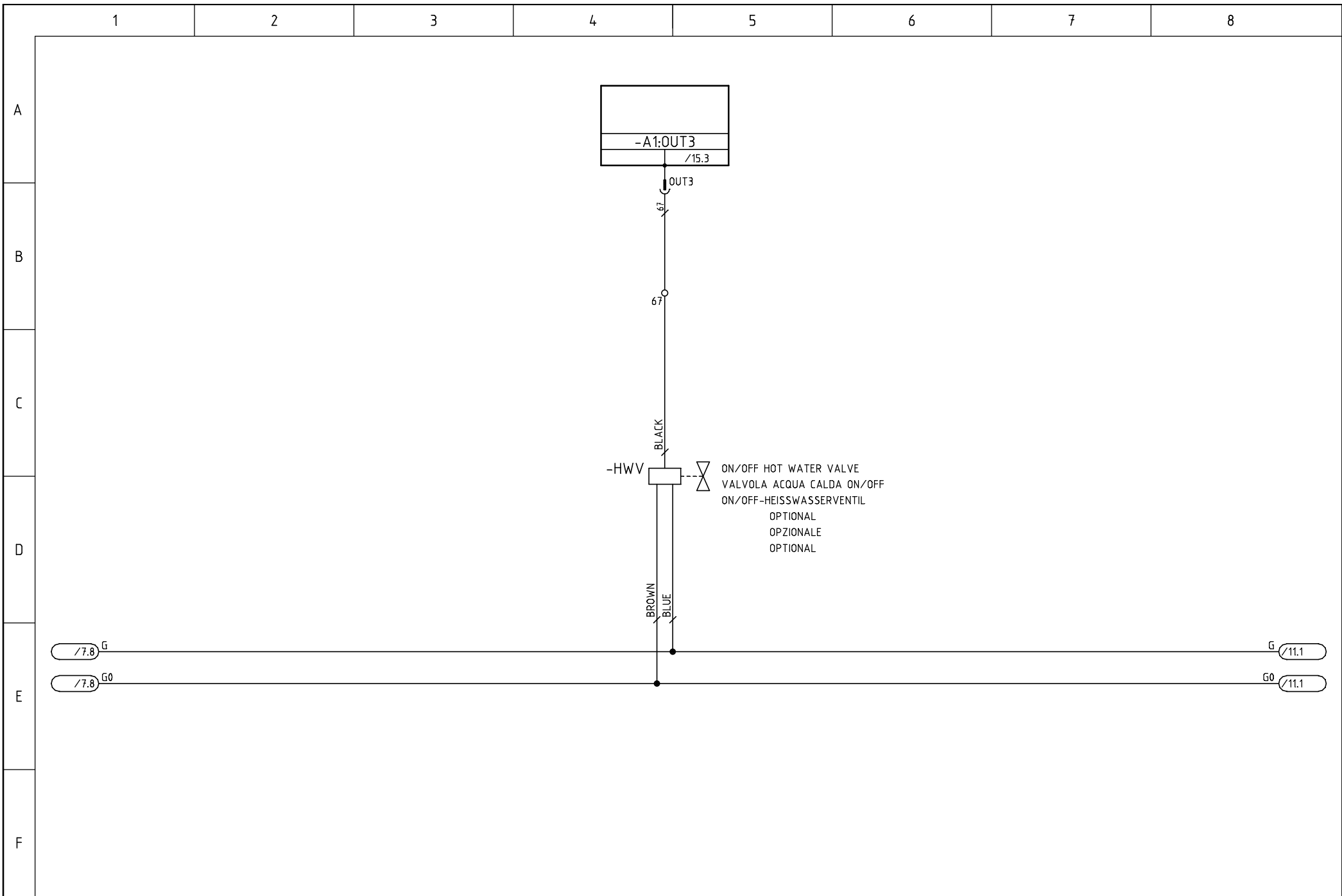
-KA2  
 /7.4 14 11  
 /7.4 12 11  
 /7.8 24 21  
 /7.8 22 21  
 VALVE CONTROL RELAY (CLOSING)  
 RELE' COMANDO VALVOLA (CHIUSURA)  
 RELAIS FÜR STELLMOTOR (SCHLIESSEN)

-KM1  
 /4.5 1 2  
 /4.5 3 4  
 /4.5 5 6  
 /4.5 13 14  
 /6.7 43 44  
 /7.7 43 44  
 FAN 1 CONTACTOR  
 CONTATTATORE VENTILATORE 1  
 VENTILATOR MOTOR SCHÜTZ Nr 1

-TM  
 TRANSFORMER INNER PROTECTION  
 PROTEZIONE INTERNA TRASFORMATORE  
 TRANSFORMATOR-INNENSCHUTZ

-CWVM  
 MODULATING COLD WATER VALVE  
 VALVOLA ACQUA FREDDA MODULANTE  
 MODULIERENDES KALTWASSERVENTIL

c		Date	15.04.2000		Wiring diagram name	Code	F	400 Vac 50 Hz	Auxiliaries 24V			
b		Signature	#.A.		CD0205E01-F	317801						
a		Confr.										
Modification	Date	Date	Norm.	EN60204-1	Replaced for:	Replaced by:	Origin:	CP/HIMOD25-35C	File: 317801	2 Schema elettrico	Sheet 7 of 21	Continue 8



c			Date	15.04.2000	<b>HIROSS</b> S.p.A.	Wiring diagram name	Code	F	400 Vac 50 Hz					
b			Signature			CD0205E01-F	317801			Auxiliaries 24V				
a			Contr.											
Modification	Date	Date	Norm.	EN60204-1	Replaced for:	Replaced by:	Origin:	TYPE:	CP/HIMOD25-35C	File:	317801	2 Schema elettrico	Sheet 8 of 21	Continue 9



1

2

3

4

5

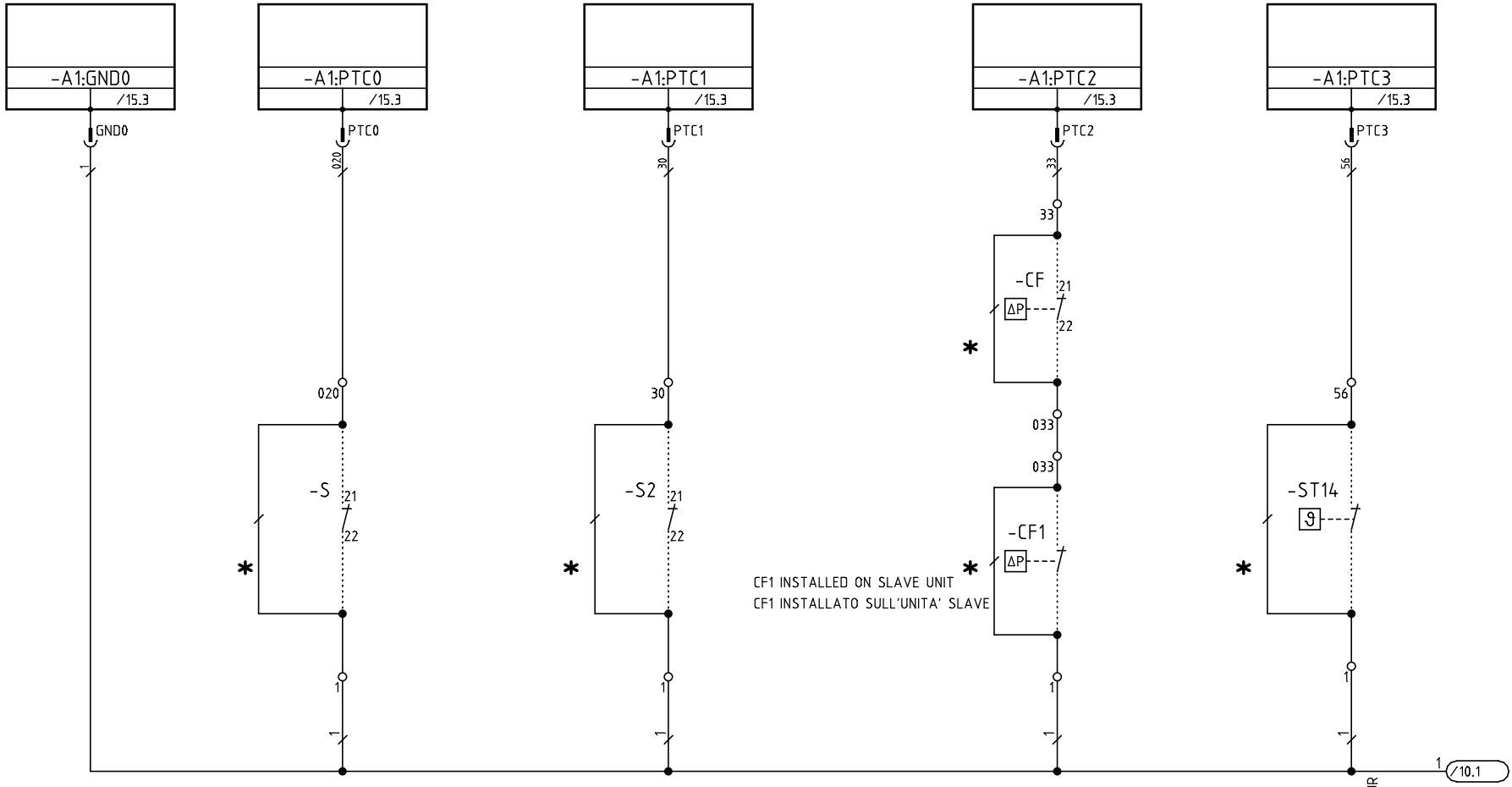
6

7

8

\* REMOVE RELATIVE BRIDGE IF ANY OF THESE DIGITAL INPUTS ARE INSTALLED  
TOGLIERE IL PONTICELLO QUANDO VIENE COLLEGATO IL RELATIVO INGRESSO

A  
B  
C  
D  
E  
F



CF1 INSTALLED ON SLAVE UNIT  
CF1 INSTALLATO SULL'UNITA' SLAVE

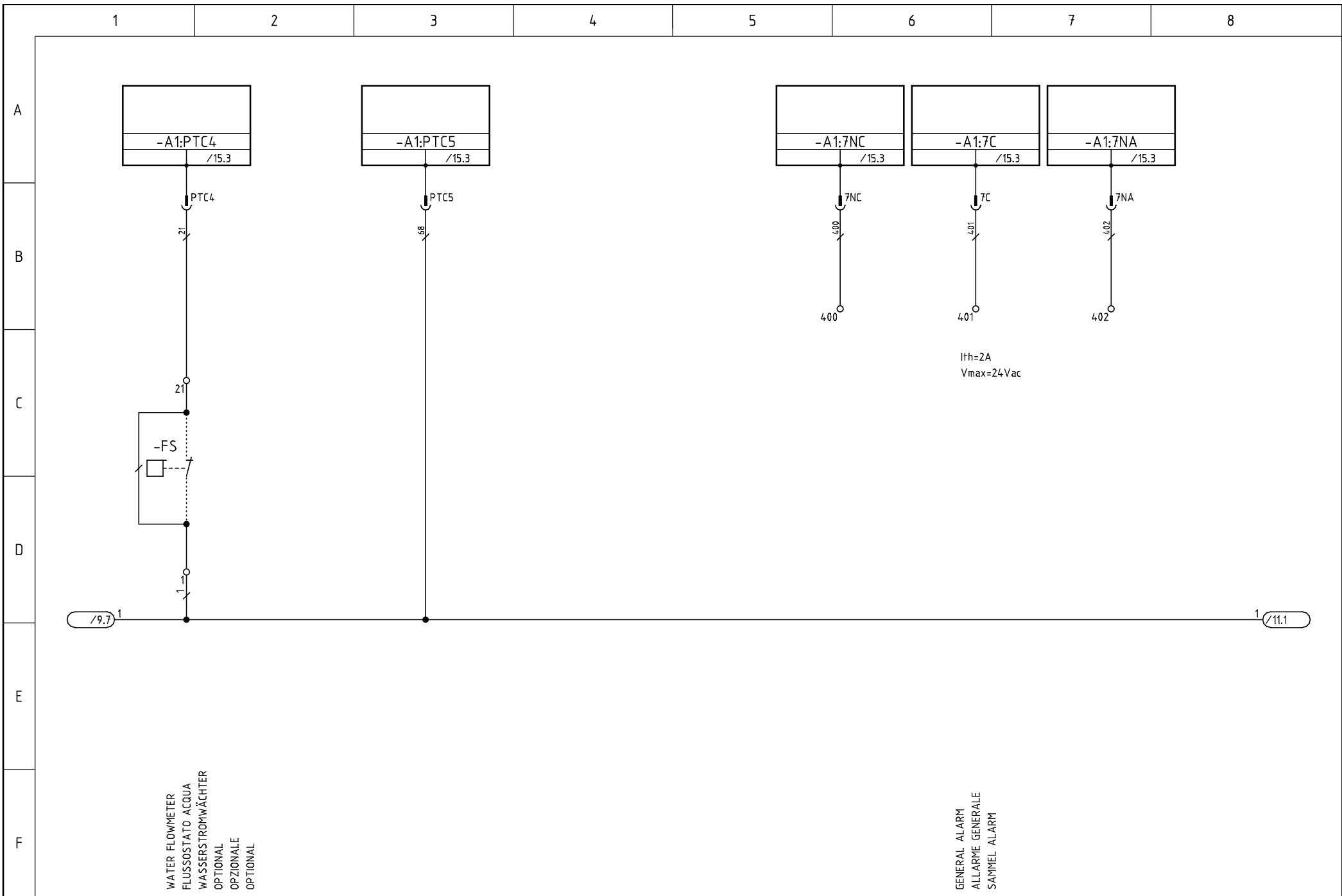
REMOTE ON/OFF  
ON/OFF REMOTO  
EXTERN EIN-AUS

USER 1 INPUT  
INGRESSO UTENTE 1  
BENUTZEREINGANG 1

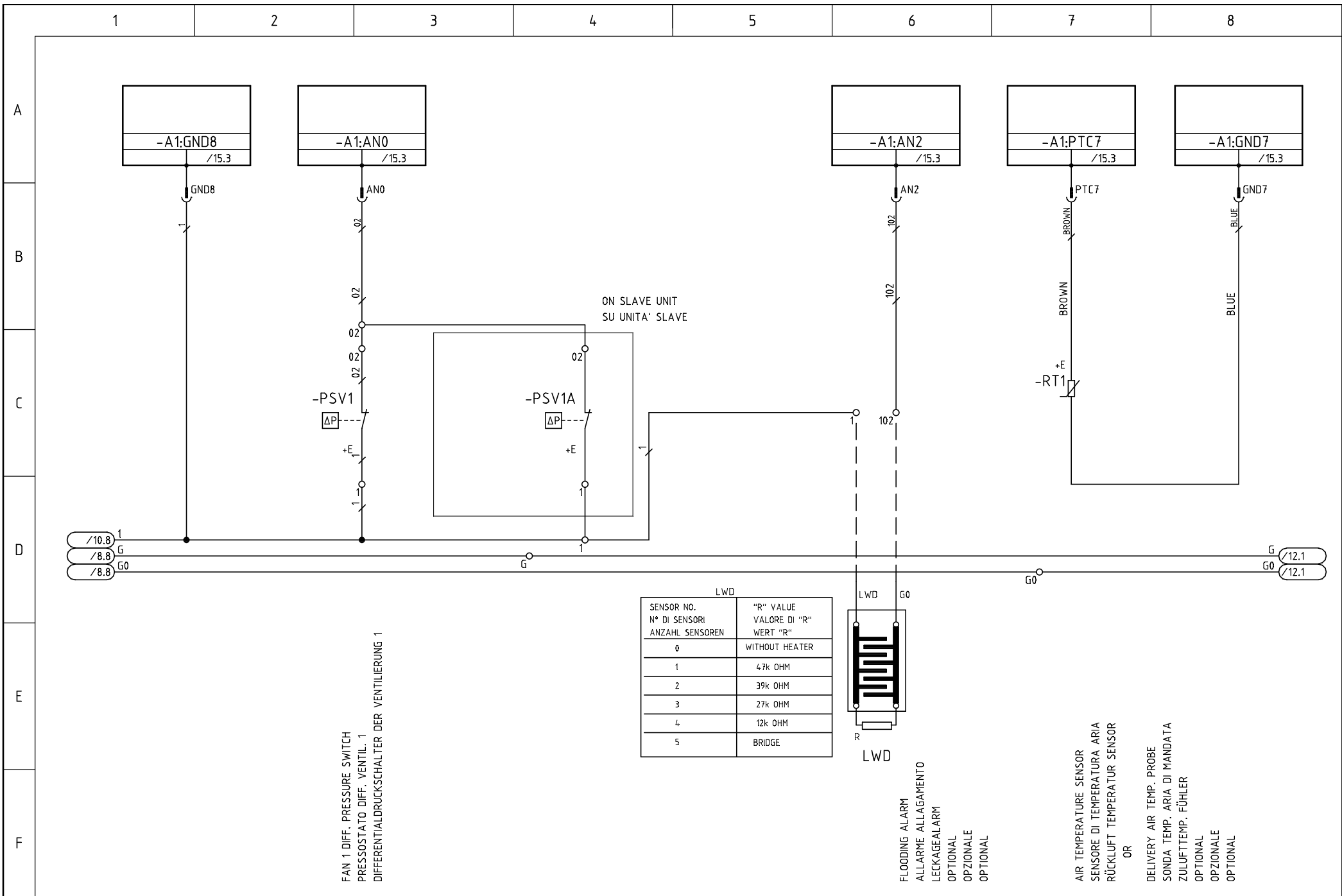
CLOGGED FILTER ALARM  
ALLARME FILTRI SPORCHI  
FILTERVERSCHUTZUNGSALARM  
OPTIONAL  
OPZIONALE  
OPTIONAL

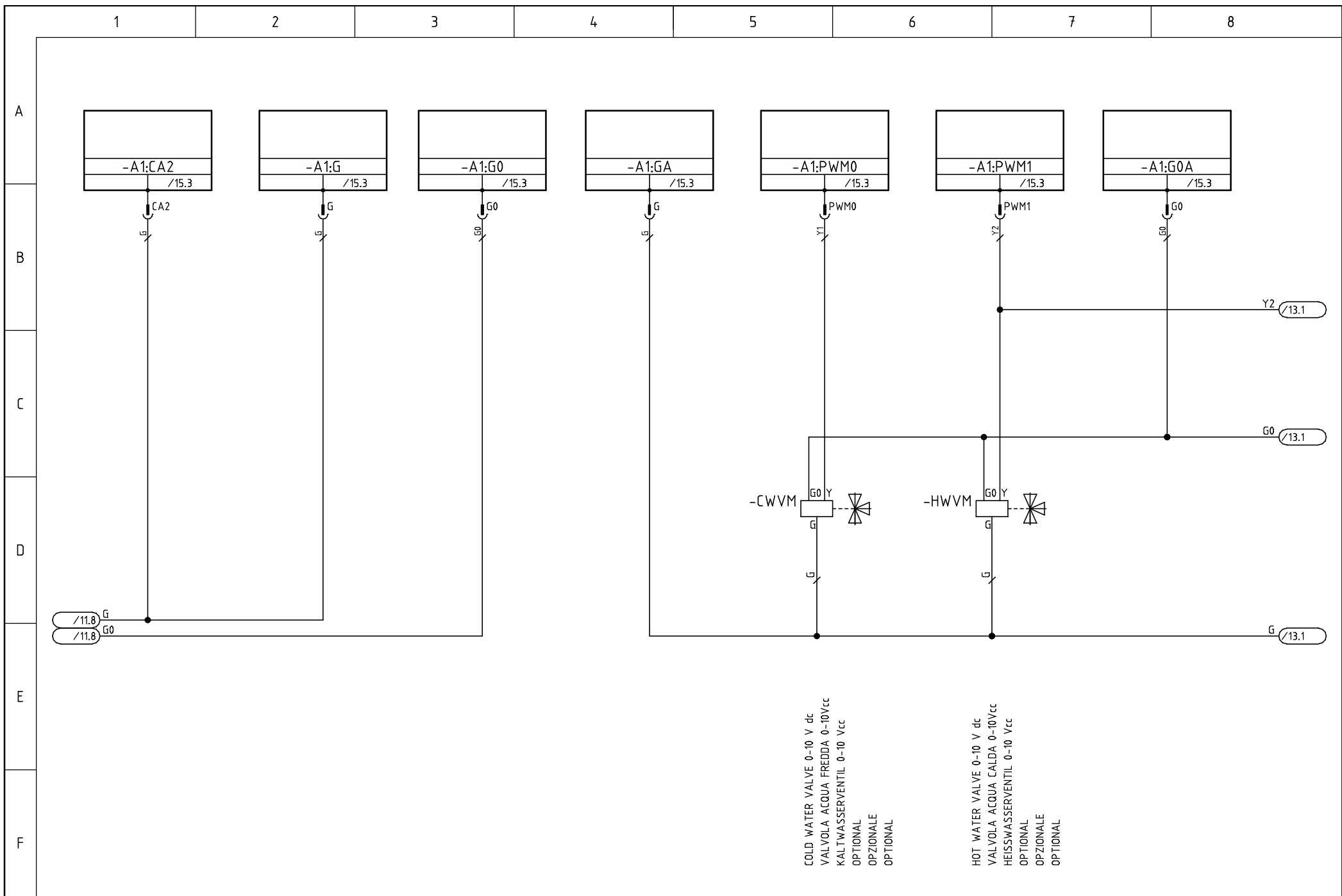
WATER HIGH TEMPERATURE TSTAT  
T-STATO ALTA TEMP. ACQUA  
ZUSTAND T FÜR HOHE WASSERTEMPERATUR  
OPTIONAL  
OPZIONALE  
OPTIONAL

c		Date	15.04.2000	<b>HIROSS</b> S.p.A.	Wiring diagram name	Code	F	Auxiliaries 24V	
b		Signature			CD0205E01-F	317801	400 Vac 50 Hz		
a		Contr.					CP/HIMOD25-35C	2 Schema elettrico	
Modification	Date	Date	Norm.	Replaced for:	Replaced by:	Origin:	File:	317801	
			EN60204-1					Sheet 9 of 21	
								Continue	10



c		Date	15.04.2000		Wiring diagram name	Code	F	400 Vac 50 Hz	Auxiliaries 24V			
b		Signature	#.A.		CD0205E01-F	317801						
a		Contr.										
Modification	Date	Date	Norm.	EN60204-1	Replaced for:	Replaced by:	Origin:	CP/HIMOD25-35C	File: 317801	2 Schema elettrico	Sheet 10 of 21	Continue 11

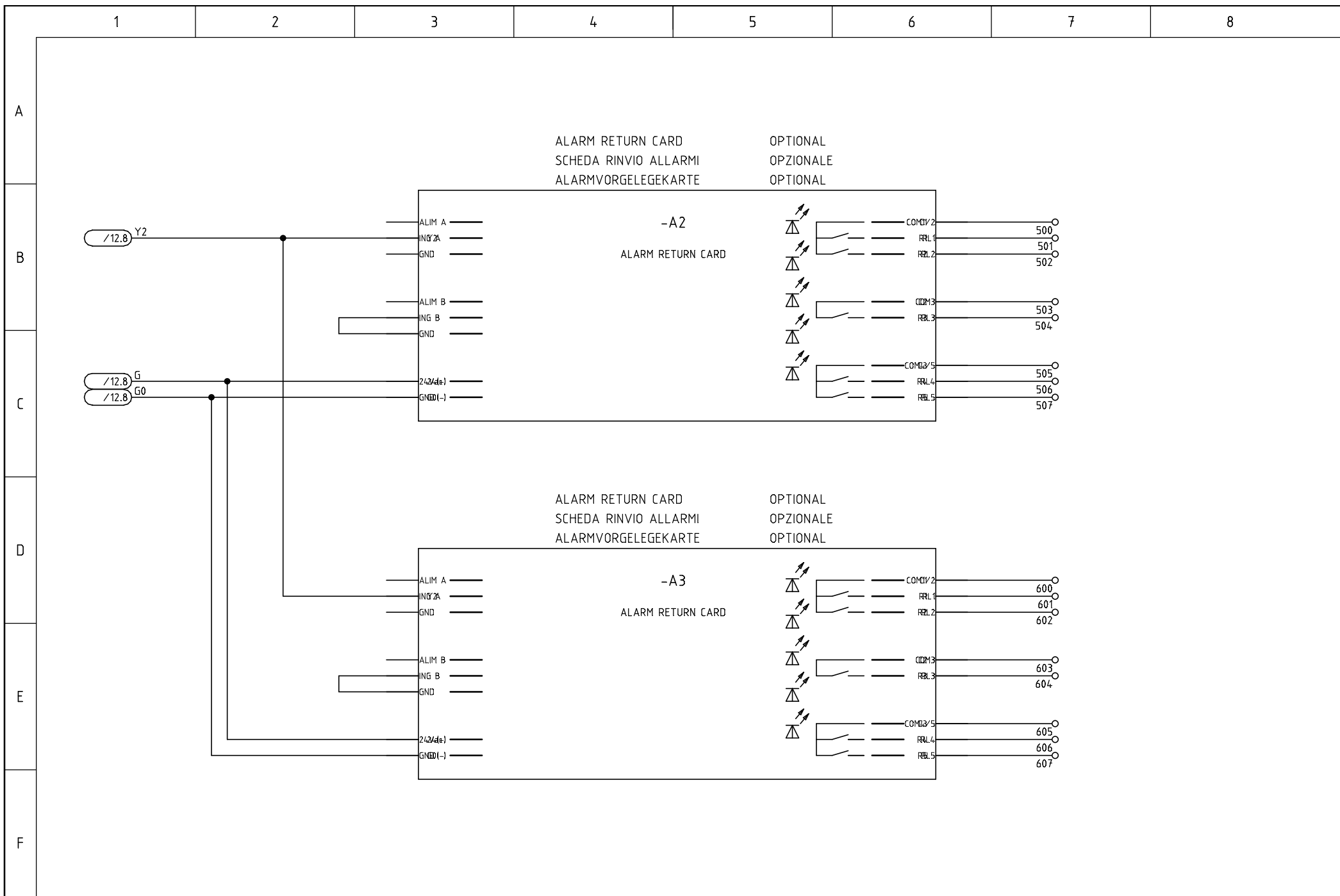




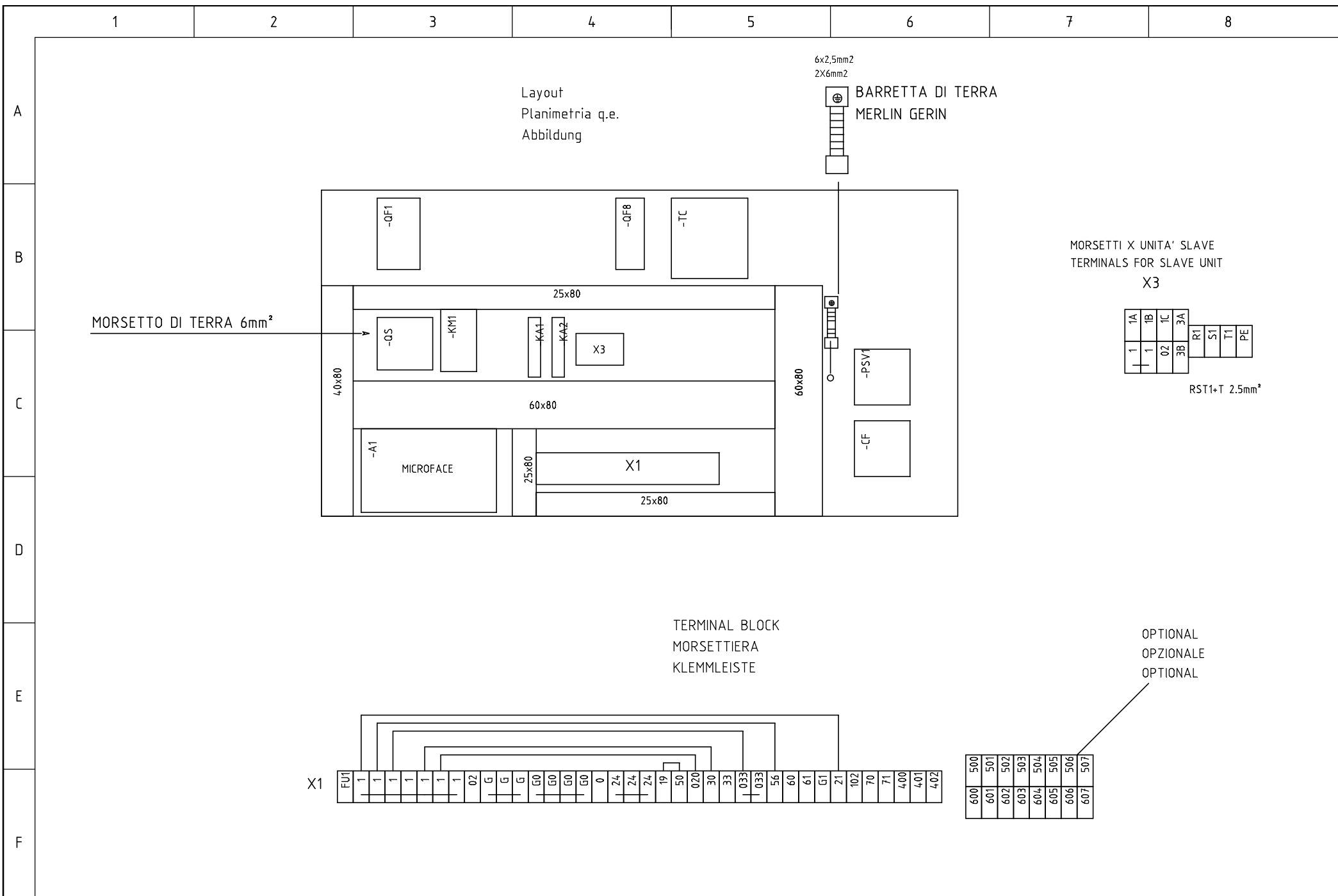
COLD WATER VALVE 0-10 V dc  
 VALVOLA ACQUA FREDDA 0-10Vcc  
 KALTWASSERVENTIL 0-10 Vcc  
 OPTIONAL  
 OPZIONALE

HOT WATER VALVE 0-10 V dc  
 VALVOLA ACQUA CALDA 0-10Vcc  
 HEISSWASSERVENTIL 0-10 Vcc  
 OPTIONAL  
 OPZIONALE

c		Date	15.04.2000		Wiring diagram name	Code	F	400 Vac 50 Hz	Auxiliaries 24V	
b		Signature	#.A.		CD0205E01-F	317801				
a		Contr.			S.p.A.					
Modification	Date	Date	Norm.	EN60204-1	Replaced for:	Replaced by:	Origin:	TYPE:	CP/HIMOD25-35C	
								File:	317801	2 Schema elettrico
								Sheet 12 of 21		Continue 13



c		Date	15.04.2000	<b>HIROSS</b> S.p.A.	Wiring diagram name	Code	F	400 Vac 50 Hz	Auxiliaries 24V	
b		Signature	F.A.		CD0205E01-F	317801				
a		Contr.								
Modification	Date	Date	Norm.	EN60204-1	Replaced for:	Replaced by:	Origin:	CP/HIMOD25-35C	File: 317801	
								2 Schema elettrico	Sheet 13 of 21	Continue



Wiring diagram name  
**CD0205E01-F**

Code  
317801

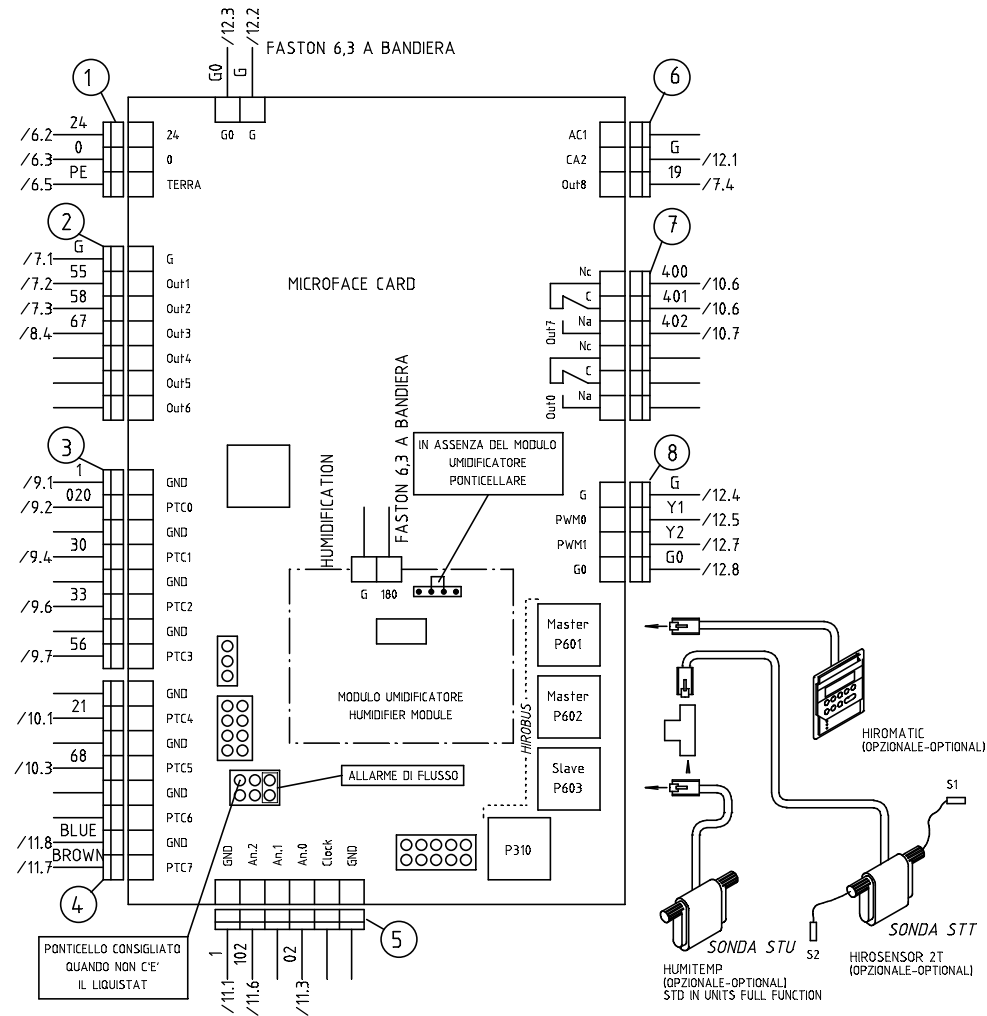
F  
400 Vac 50 Hz

Layout

TYPE:  
CP/HIMOD25-35C

File: 317801

3 Layout  
Sheet 14 of 21  
Continue 15



N.B. CONNETTORI 1-8-6 4 VIE

ZETRONIC COD. 94535/9104

CONNETTORI 2-3-4-5-7 8 VIE

ZETRONIC COD. 94535/9108

CONNETTORE N° 5 6 VIE RICAIVATO

DA UNO A 8 VIE

TERMINALE FASTON 94518/0201

CON I FUSIBILI ALLEGARE 10 FASTON

94518/0201

c		Date	15.04.2000		Wiring diagram name	Code	F	400 Vac 50 Hz	
b		Signature	F.A.		CD0205E01-F	317801			Layout
a		Contr.					TYPE:	CP/HIMOD25-35C	File: 317801
	Modification	Date	Date	Norm.	EN60204-1	Replaced for:	Replaced by:	Origin:	Sheet 15 of 21
									Continue 16

1

2

3

4

5

6

7

8

A

B

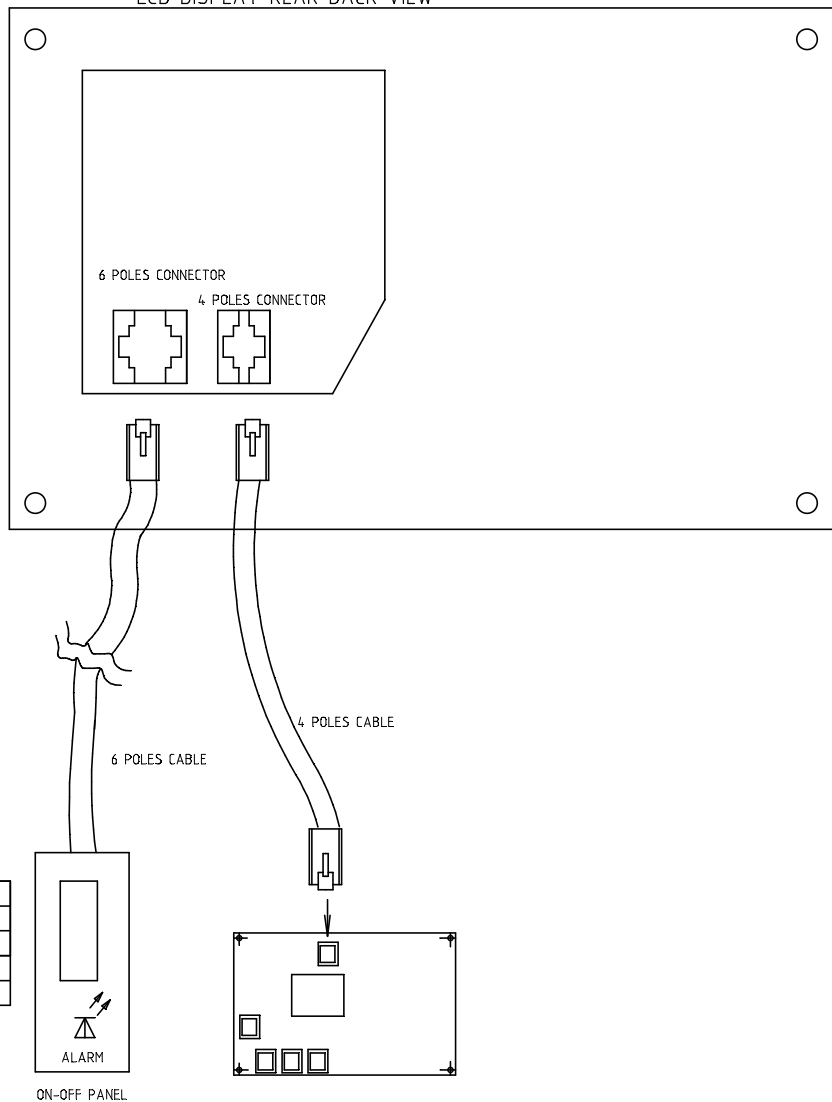
C

D

E

F

LCD DISPLAY REAR BACK VIEW



ON-OFF PANEL

LED COLOR	AC UNIT STATUS
GREEN ON	UNIT OPERATING
RED ON	UNIT IN ALARM
GREEN FLASHING	UNIT IN STAND-BY
ORANGE ON	UNIT POWERED BUT NOT OPERATING



1

2

3

4

5

6

7

8

A

B

C

D

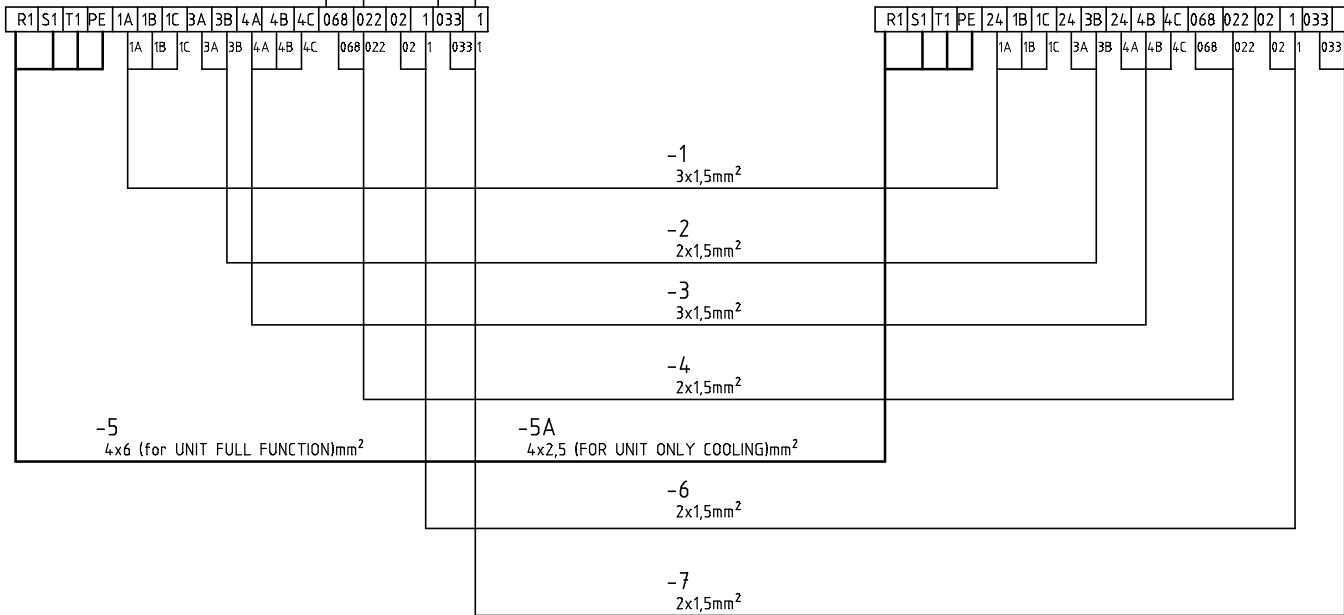
E

F

REMOVE THE BRIDGE 068-022 AND 1-033 IF SLAVE UNIT IS EQUIPPED WITH HEATERS OR CF

MASTER UNIT TERMINAL BLOCK  
MORSETTIERA SU QE MASTER

SLAVE UNIT TERMINAL BLOCK  
MORSETTIERA SU QE SLAVE



c		Date	15.04.2000	<b>HIROSS</b> S.p.A.	Wiring diagram name	Code	F	400 Vac 50 Hz					
b		Signature			CD0205E01-F	317801			Layout				
a		Contr.					TYPE:	CP/HIMOD25-35C	File: 317801	3 Layout			
	Modification	Date	Date	Norm.	EN60204-1	Replaced for:		Replaced by:		Origin:		Sheet 17 of 21	Continue 18



1

2

3

4

5

6

7

8

A

B

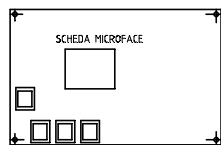
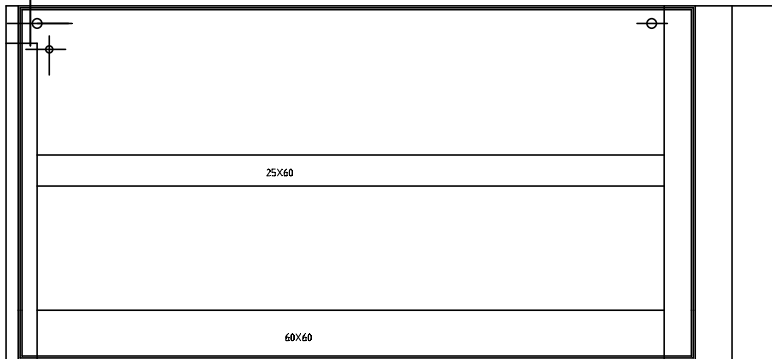
C

D

E

F

FILO G.V. L=200 6mm2 CON OCCHIELLO D. 6



USCITA CAVI A-D-E-G1-H-I-L-M-P-Q-T-R

USCITA CAVI F-G-F1-U-V

FILO G.V. 6mm2 L=600 CON OCCHIELLO D. 6

c		Date	15.04.2000	<b>HIROSS</b> S.p.A.	Wiring diagram name	Code	F	400 Vac 50 Hz	Layout
b		Signature			CD0205E01-F	317801			
a		Confr.			CP/HIMOD25-35C	File:	317801	3 Layout	Sheet 19 of 21
Modification	Date	Date	Norm.	EN60204-1	Replaced for:	Replaced by:	Origin:		

1		2		3		4		5		6		7		8	
QUANTITY	ARTICLE CODE	DESCRIPTION				TECHNICAL DATA				CATALOGUE NO.	IDENTIFIER	RE.	MANUFACTURER	Code	
A	17	MICROFACE CARD									-A1	/15.3			
		POWER FACTOR CORR. CAPACITOR									-C1	/4.4			
		CLOGGED FILTER ALARM									-CF	/9.6			
		CLOGGED FILTER ALARM									-CF1	/9.6			
		MODULATING COLD WATER VALVE									-CWVM	/7.8			
B		WATER FLOWMETER									-FS	/10.1			
		ON/OFF HOT WATER VALVE									-HWV	/8.4			
		HOT WATER VALVE 0-10 V dc									-HWVM	/12.7			
		REMOTE ON/OFF									-S	/9.2			
		USER 1 INPUT									-S2	/9.4			
C		WATER HIGH TEMPERATURE TSTAT									-ST14	/9.7			
		FAN 1									-EV1	/4.5			
		FAN 1 INNER KLIXON									-FR1	/7.5			
		AIR FLOW SENSOR									-PSV1	/11.3			
		FLOODING ALARM									-PSV1A	/11.4			
D		AIR SUCTION TEMP. PROBE									-RT1	/11.7			
	1	HS17.10	FAN 1 CONTACTOR		1N0		HS17.10		-KM1	/7.5	AEG	255628			
	1	MKPC44/2	ANTI-NOISE FILTER		MKPC44/2		MKPC44/2		-C3	/5.4	ARCOTRONICS	254324			
	1	SF520263	AUXILIARY FUSE 24 V		6.3A F		SF520263		-FU1	/5.4	OMEGA	254773			
	1	TK63 4P	MAIN SWITCH		63A 4 POLI		19113SM		-QS	/3.2	TECHNOELECTRIC	256403			
	2	ZOCCOLO X 40.52	VALVE CONTROL RELAY (OPENING)		95.85.1		95.85.1		-KA1	/7.2	FINDER				
E		VALVE CONTROL RELAY (CLOSING)		95.85.1		95.85.1		-KA2	/7.3	FINDER					
	2	40.52 24Vac	VALVE CONTROL RELAY (OPENING)		40.52 24Vac		40.52 24Vac		-KA1	/7.2	FINDER	256152			
		VALVE CONTROL RELAY (CLOSING)		40.52 24Vac		40.52 24Vac		-KA2	/7.3	FINDER	256152				
	1	51AT40J	FAN/S AUTOTRANSFORMER		3,3KVA		51AT40J		-TM	/4.5	MARINI	256298			
	1	51TM2VM	TRANSFORMER		160VA		51TM2VM		-TC	/5.4	MARINI	255769			
	1	115 131.06+F6,3F	AUXILIARY FUSE 24 V		M4/8.SF GRIGIO		115 131.06		-FU1	/5.4	ENTRELEC	255716			
F	1	831-820-676	TRANSF. AUTOMATIC SWITCH		6A 6KA		E82 C 6		-QF8	/5.3	AEG	255048			
	1	831-830-676	FAN AUTOM. SWITCH		6A 6KA		E83 C6		-QF1	/4.5	AEG	255072			
	1	910-302-623-55-2NA	FAN 1 CONTACTOR		24V AC 50-60, 2NA		LS4.10		-KM1	/7.5	AEG	255585			
	1	19501	MAIN SWITCH		19501		19501		-QS	/3.2	TECHNOELECTRIC				
	1	19535-100	MAIN SWITCH		19535-100		19535-100		-QS	/3.2	TECHNOELECTRIC				
	2	275148	ALARM RETURN CARD						-A2	/13.3	CISE	275148			

c	Date	15.04.2000	<b>HIROSS</b>		Wiring diagram name		Code	F		400 Vac	50 Hz			
b	Signature	T.A.			CD0205E01-F		317801					Component list		
a	Contr.		S.p.A.					TYPE:		CP/HIM0025-35C		File:	317801	
Modification	Date	Date	Norm.	EN60204-1	Replaced for:	Replaced by:	Origin:					4. Lista componenti	Sheet 20 of 21	Continue 21

1		2		3		4		5		6		7		8	
QUANTITY	ARTICLE CODE	DESCRIPTION				TECHNICAL DATA				CATALOGUE NO.	IDENTIFIER	RE.	MANUFACTURER	Code	
		ALARM RETURN CARD									-A3	/13.3	CISE	275148	
A															
B															
C															
D															
E															
F															

A

B

C

D

E

F

# REVISION INDEX

Revision date	REVISION INDEX	Description	Signature
04/07/00	F	AGGIUNTO CAVO PER CF,AGGIORNATA PLANIMETRIA	T.A.