

1

2

3

4

5

6

7

8

A

Electrical specification-Elektrische Angaben-Specifiche elettriche

A)FAN 1-2
 VENTILATOR 1-2
 VENTILATORE 1-2

Un 400 3-50Hz
 40U/0 : No.2 Pa 2,3kW
 Ia 4,3A 1260rpm cosf=0,85

B

B) COMPRESSOR
 VERDICHTER
 COMPRESSORE

Un 400 3-50Hz (FLA)
 40U/0 Pa 8,2kW Ia 26A cosf=0,75

C

D

E

F

SUPPLY LINE-SPANNUNGSVERSORGING-LINEA ALIMENTAZIONE

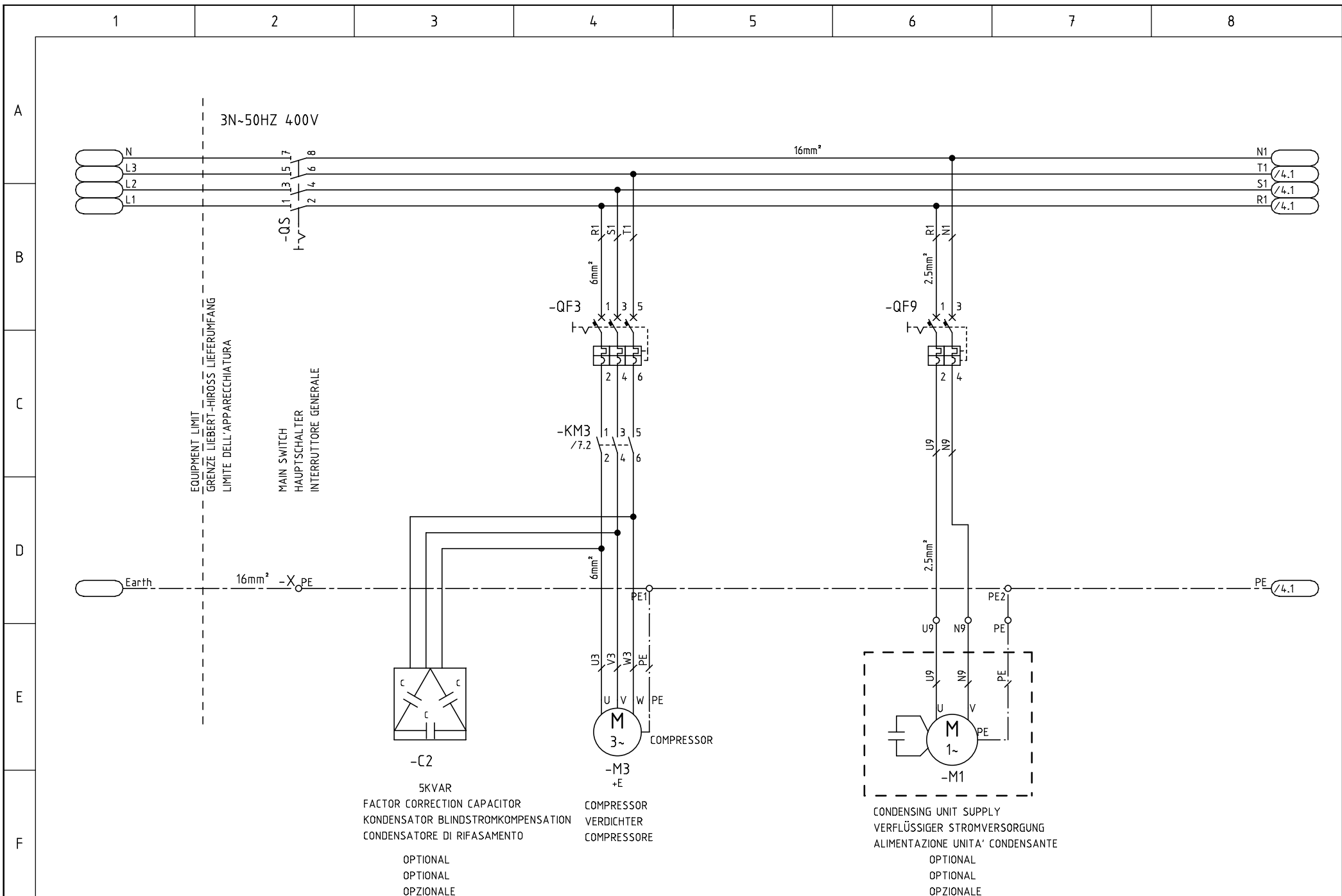
3-Phases +NEUTRAL+ EARTH (PE)
 3-Fasi +NEUTRO + TERRA (PE)
 3-Phasen + NULLEITER + Erdung (PE)

400V +N 50Hz

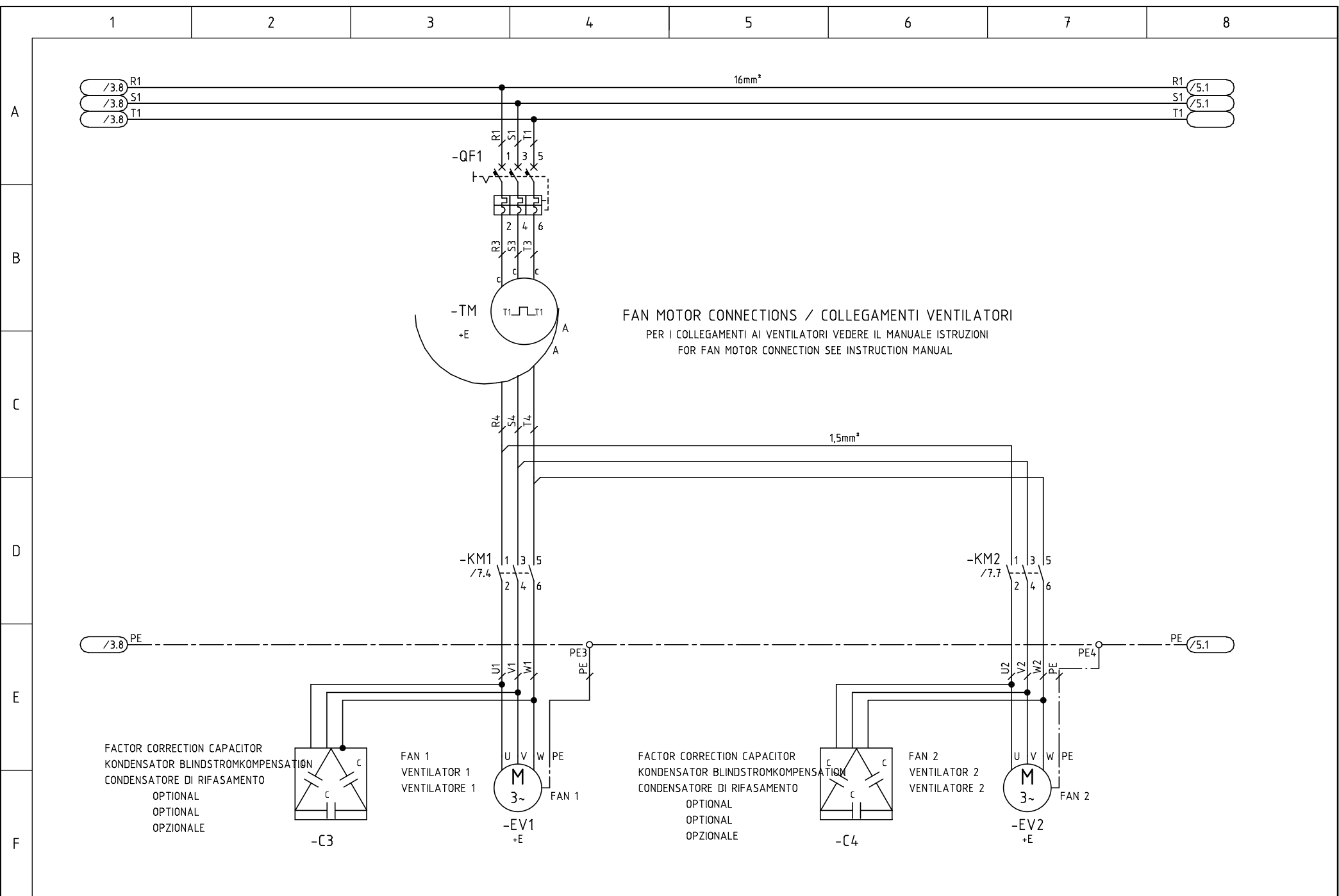
R22	Imax:40U/0
A+B	35A

THIS DIAGRAM IS CARRIED OUT ACCORDING TO EUROPEAN STD EN60204-1-2

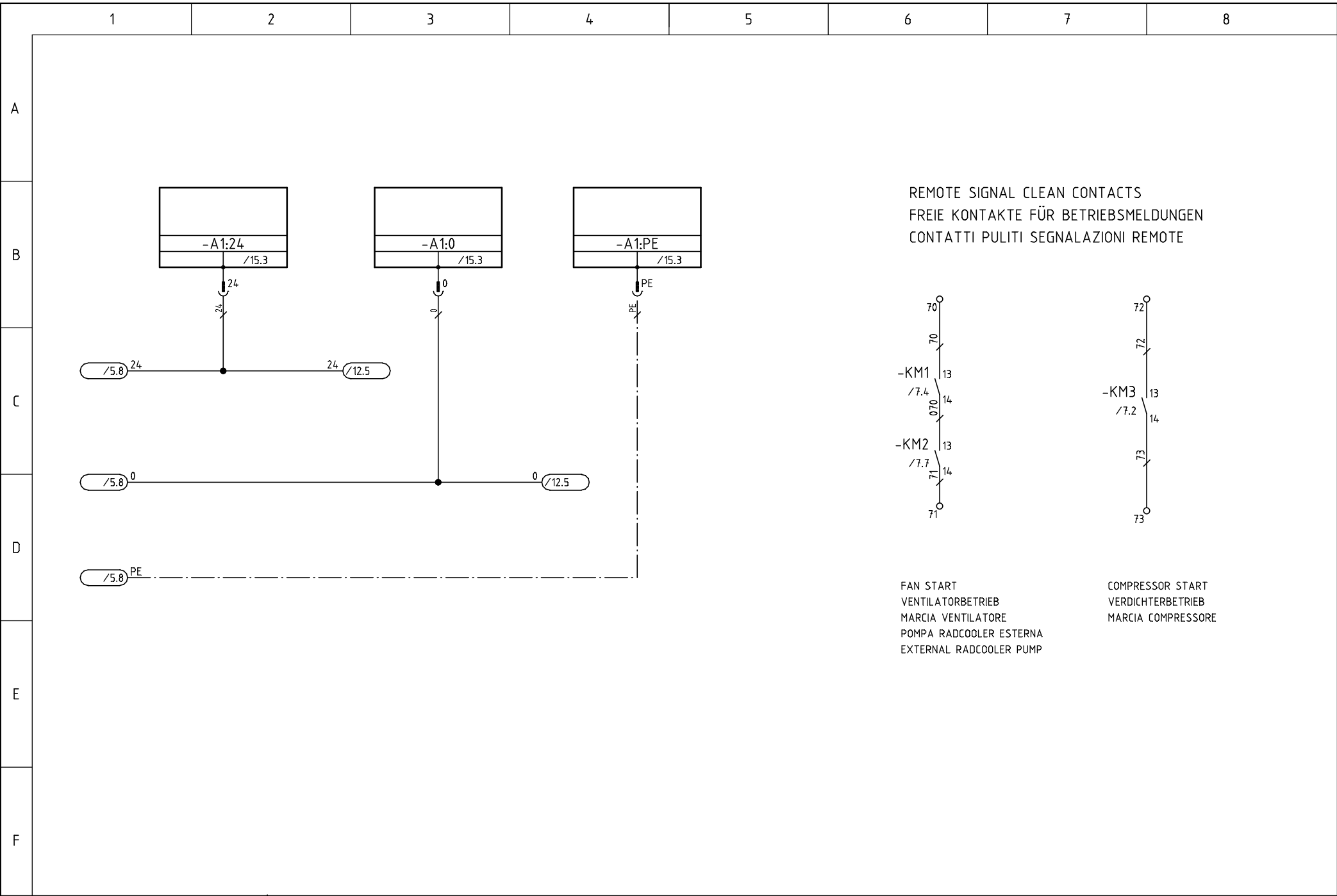
c		Date	09.10.2001	Wiring diagram name	CD0105E02-G	Code	317819	F	400 Vac	50 Hz	Electrical specification		
b		Signature	G.A.								1 Specifiche elettriche		
a		Contr.	G.G.	Replaced for:		Replaced by:		Origin:			CP/HIMOD40 D/F/H		
Modification	Date	Date	Norm.	EN60204-1						File:	317819g	Sheet 2 of 20	Continue



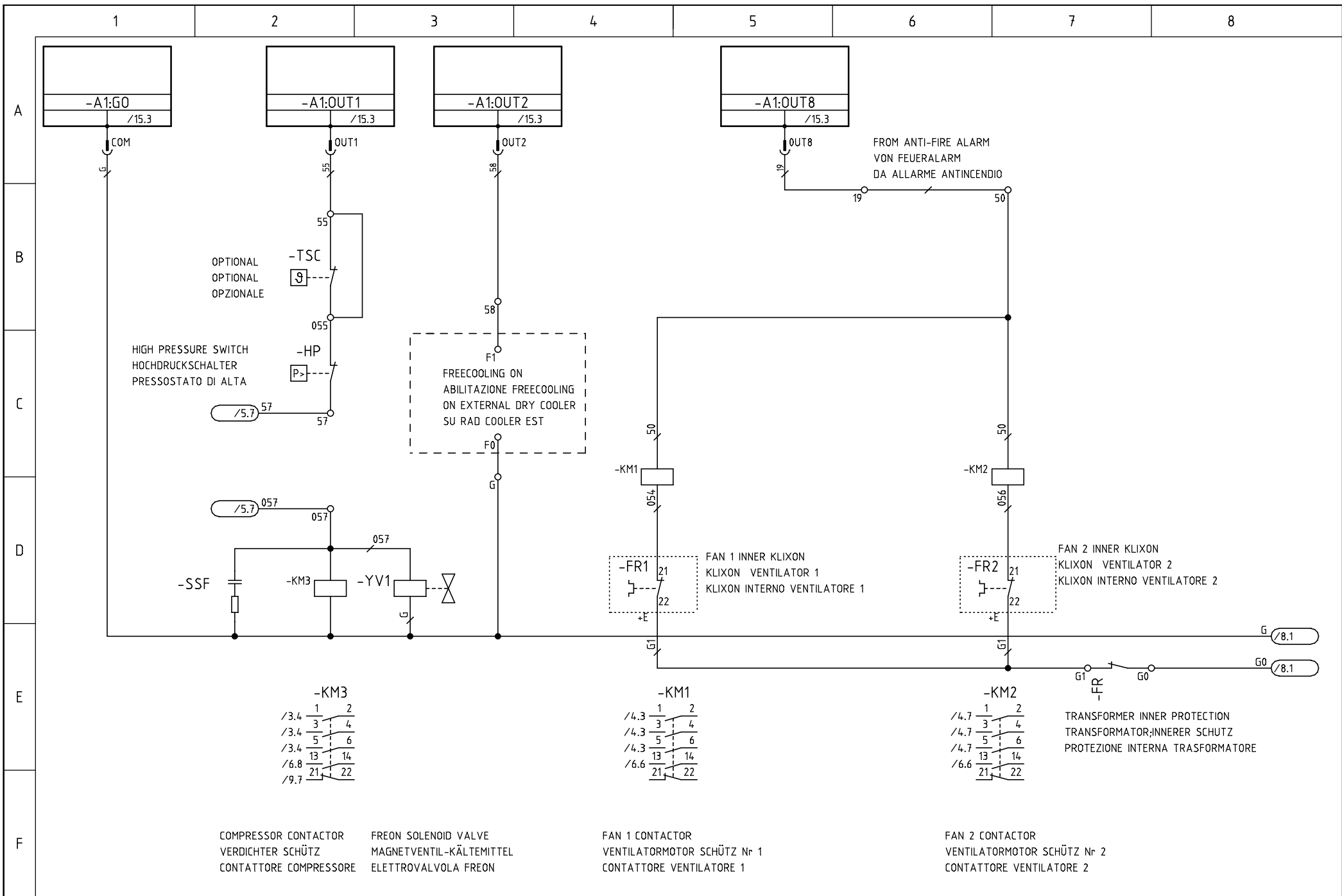
c		Date	09.10.2001	Wiring diagram name	Code	F	400 Vac 50 Hz		
b		Signature	E.A.	CD0105E02-G	317819			WIRING DIAGRAM	
a		Contr.	G.G.			TYPE:	CP/HIMOD4.0 D/F/H	2 Schema	
Modification	Date	Date	Norm.	EN60204-1	Replaced for:	Replaced by:	Origin:	File: 317819g	
								Sheet 3 of 20	Continue 4



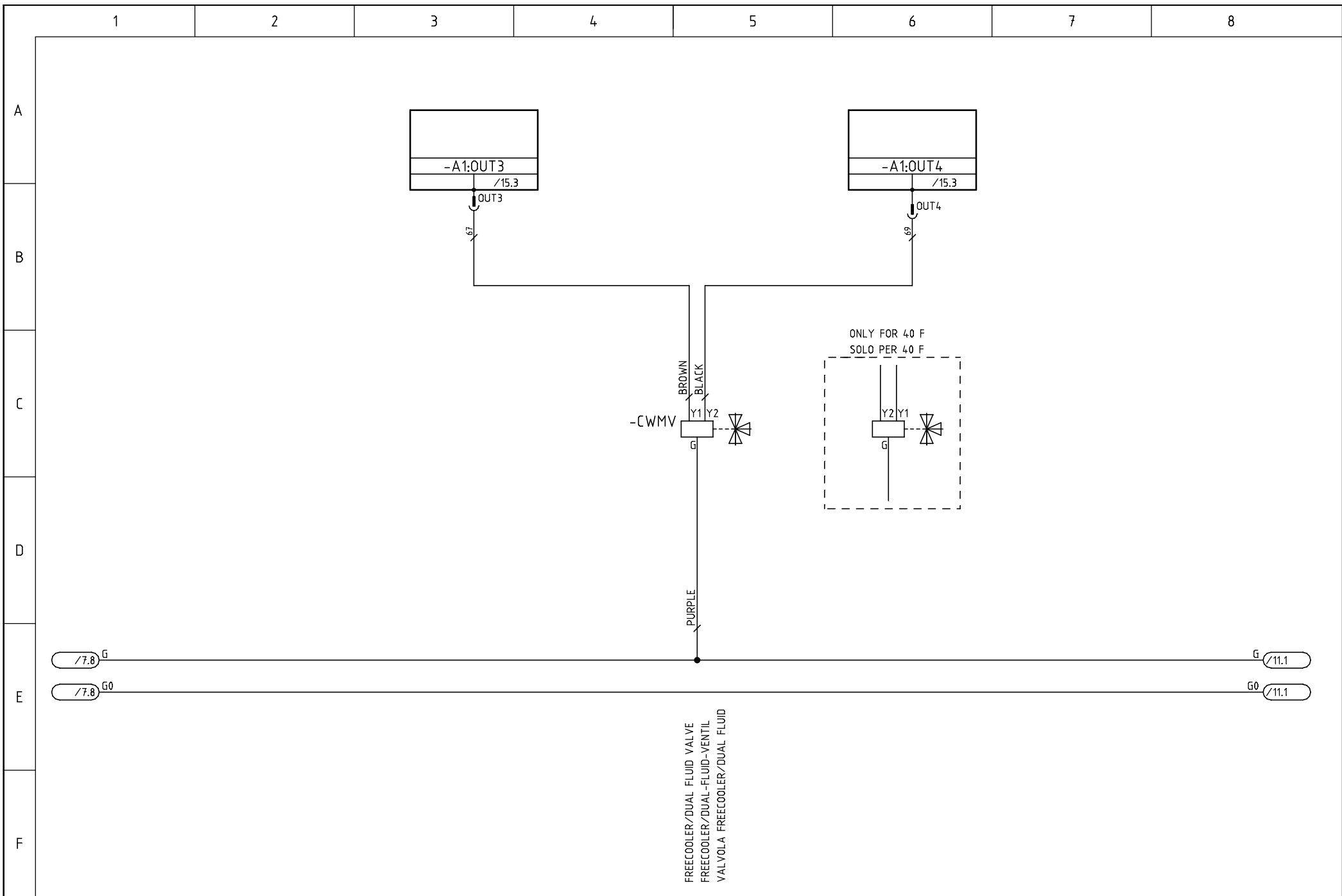
c		Date	09.10.2001	Wiring diagram name		Code	317819	F	400 Vac 50 Hz			
b		Signature	E.A.		CD0105E02-G					WIRING DIAGRAM		
a		Contr.	G.G.					TYPE:	CP/HIMOD40 D/F/H	2 Schema		
	Modification	Date	Date	Norm.	EN60204-1	Replaced for:	Replaced by:	Origin:		File: 317819g	Sheet 4 of 20	Continue 5



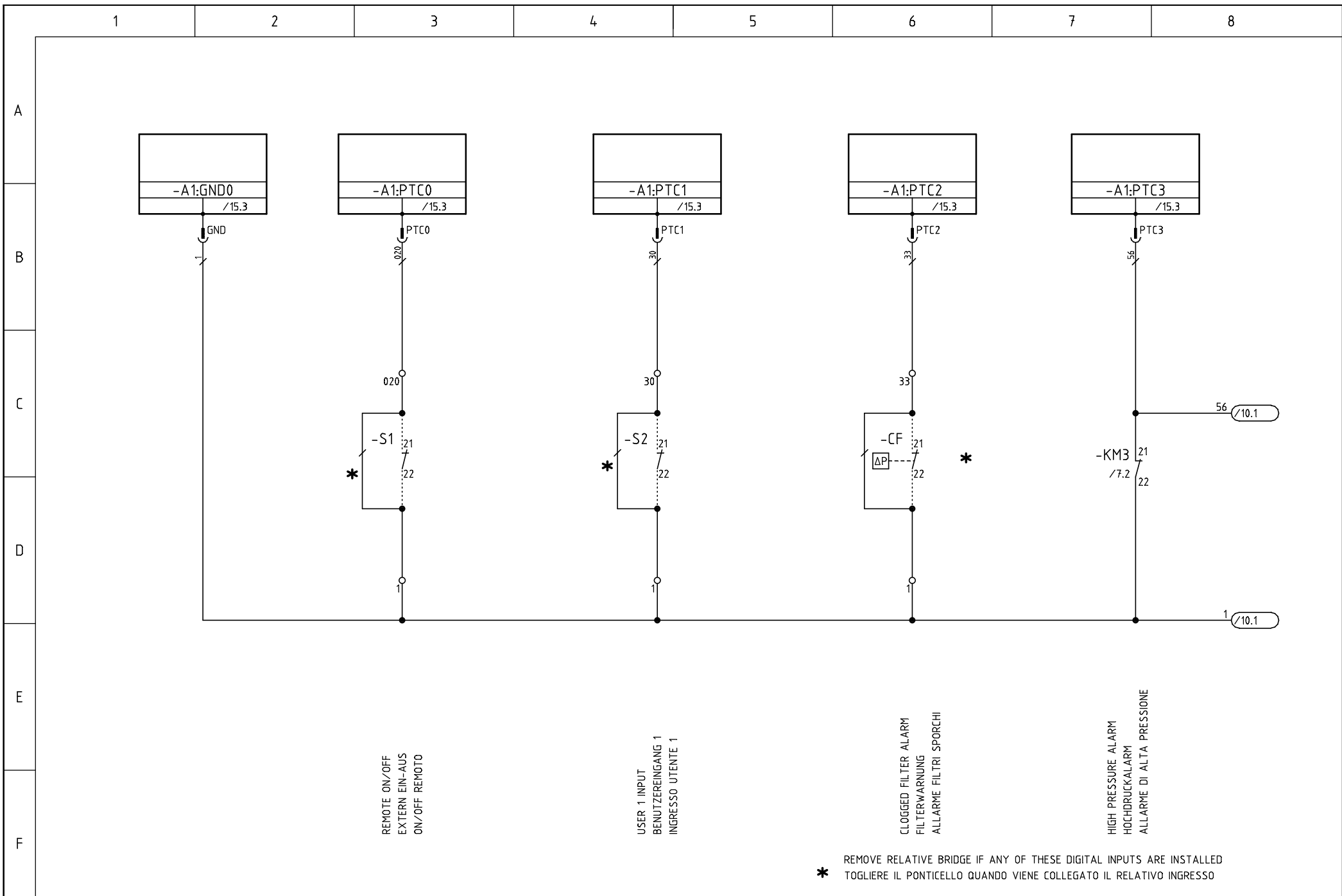
c		Date	09.10.2001	Wiring diagram name	Code	F	400 Vac 50 Hz		
b		Signature	F.A.	CD0105E02-G	317819			AUXILIARY CIRCUITS	
a		Contr.	G.G.			TYPE:	CP/HIMOD40 D/F/H	2 Schema	
Modification	Date	Date	Norm.	EN60204-1	Replaced for:	Replaced by:	Origin:	File: 317819g	
								Sheet 6 of 20	Continue 7



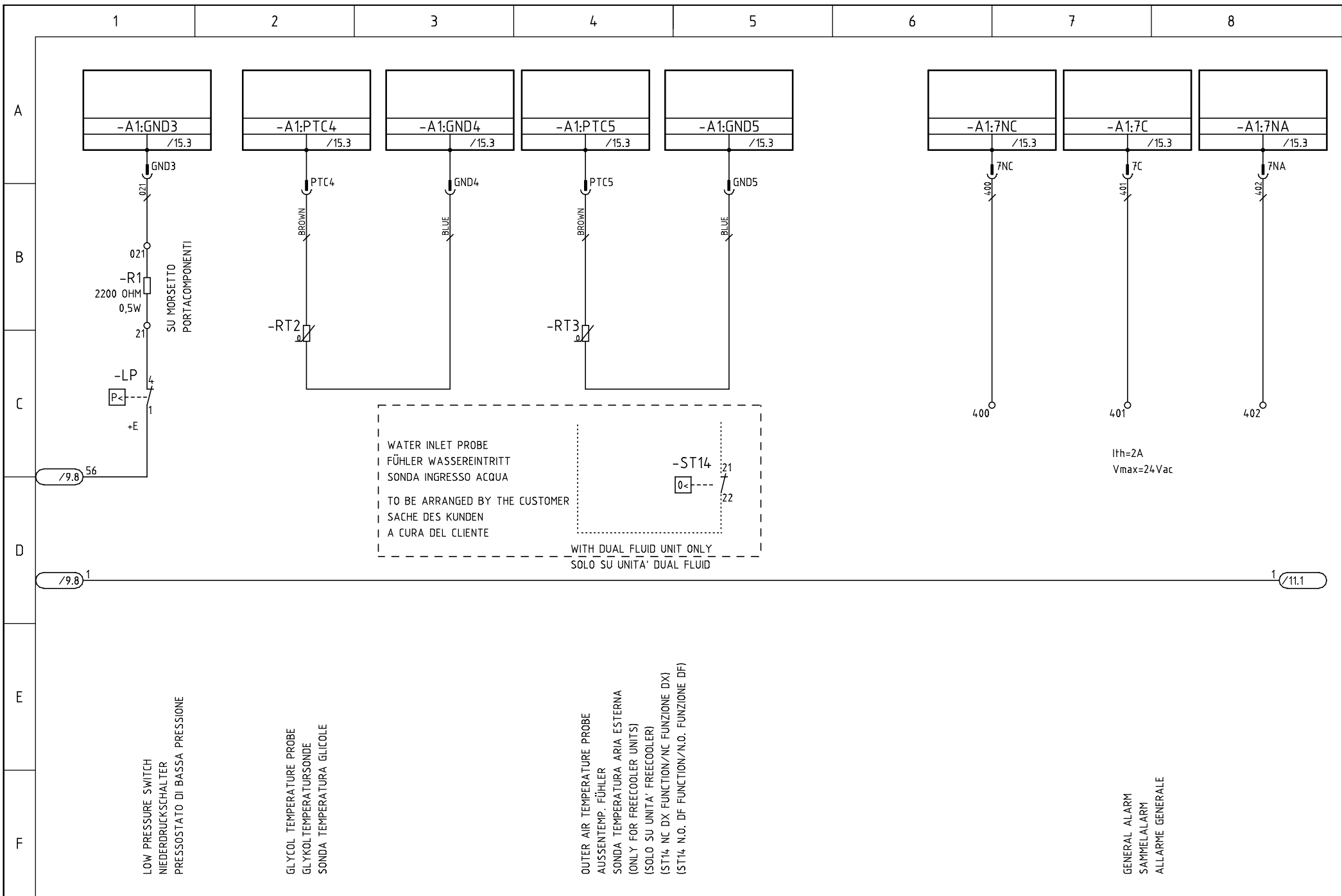
c		Date	09.10.2001	Wiring diagram name	CD0105E02-G	Code	317819	F	400 Vac 50 Hz	AUXILIARY CIRCUITS	
b		Signature	G.A.								
a		Contr.	G.G.								
Modification	Date	Date	Norm.	EN60204-1	Replaced for:	Replaced by:	Origin:	TYPE:	CP/HIMOD4.0 D/F/H	File: 317819g	2 Schema
										Sheet 7 of 20	Continue 8



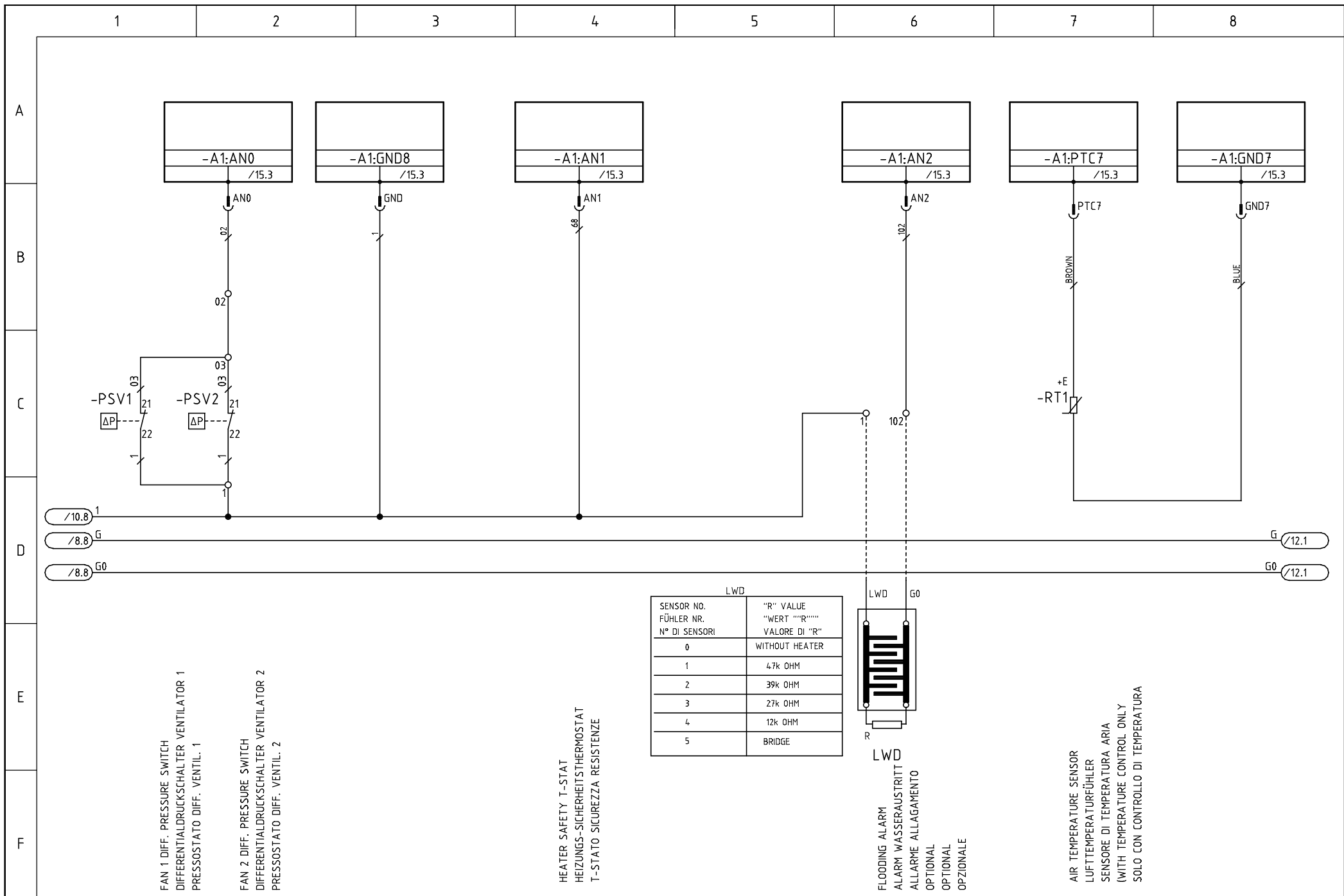
c		Date	09.10.2001	Wiring diagram name	Code	F	400 Vac 50 Hz		
b		Signature	F.A.	CD0105E02-G	317819			AUXILIARY CIRCUITS	
a		Contr.	G.G.			TYPE:	CP/HIMOD40 D/F/H	2 Schema	
Modification	Date	Date	Norm.	EN60204-1	Replaced for:	Replaced by:	Origin:	File: 317819g	
								Sheet 8 of 20	Continue 9



c		Date	09.10.2001	Wiring diagram name	Code	F	400 Vac	50 Hz	
b		Signature	E.A.	CD0105E02-G	317819				AUXILIARY CIRCUITS
a		Contr.	G.G.			TYPE:	CP/HIMOD40 D/F/H	File:	2 Schema
Modification	Date	Date	Norm.	EN60204-1	Replaced for:	Replaced by:	Origin:	317819g	Sheet 9 of 20
									Continue 10



c		Date	09.10.2001	Wiring diagram name			Code	F	400 Vac 50 Hz	
b		Signature	E.A.	CD0105E02-G			317819			AUXILIARY CIRCUITS
a		Contr.	G.G.					TYPE:	CP/HIMOD40 D/F/H	2 Schema
Modification	Date	Date	Norm.	EN60204-1	Replaced for:	Replaced by:	Origin:	File:	317819g	Sheet 10 of 20 Continue 11



FAN 1 DIFF. PRESSURE SWITCH
DIFFERENTIALDRUCKSCHALTER VENTILATOR 1
PRESSOSTATO DIFF. VENTIL. 1

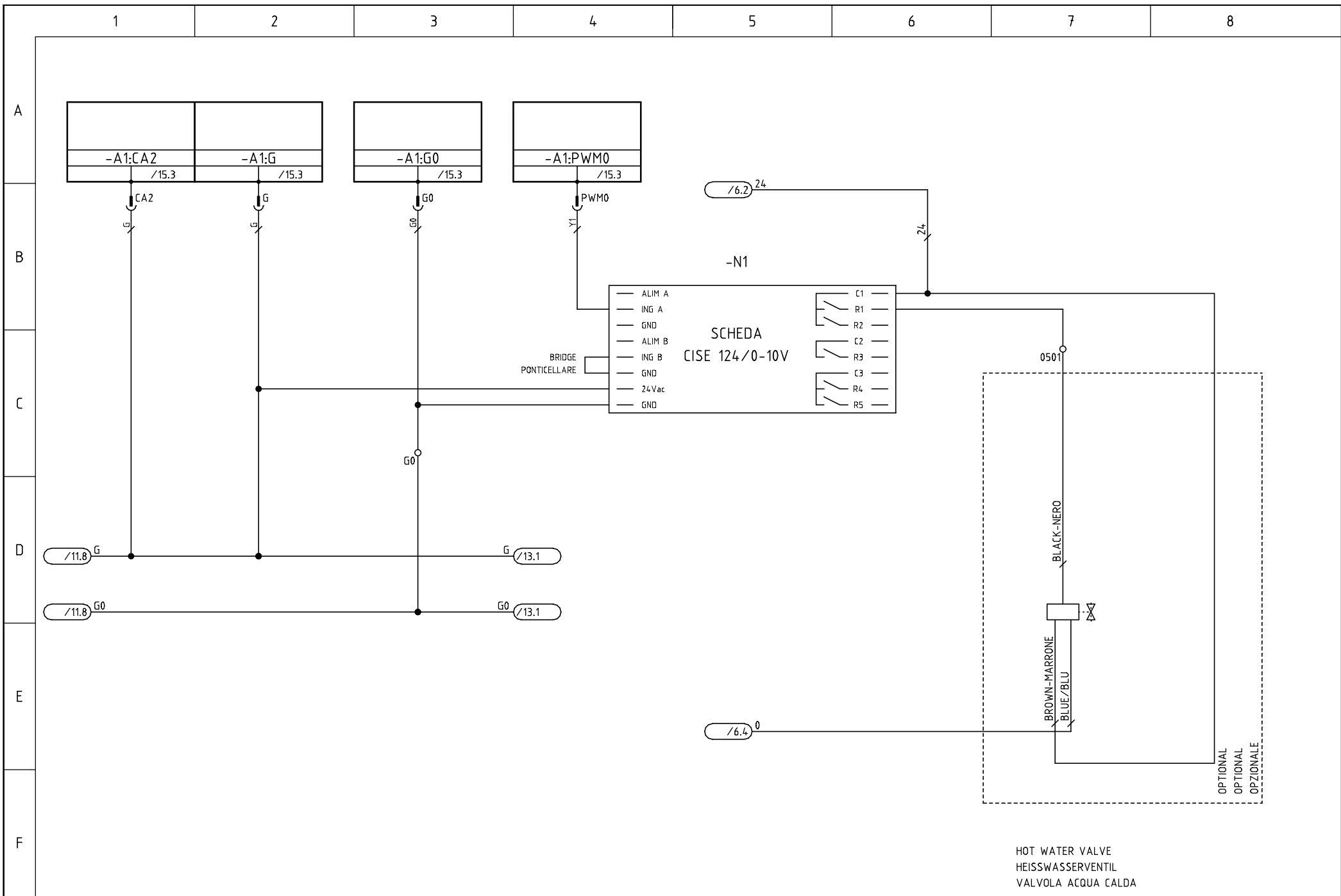
FAN 2 DIFF. PRESSURE SWITCH
DIFFERENTIALDRUCKSCHALTER VENTILATOR 2
PRESSOSTATO DIFF. VENTIL. 2

HEATER SAFETY T-STAT
HEIZUNGS-SICHERHEITSTHERMOSTAT
T-STATO SICUREZZA RESISTENZE

SENSOR NO. FÜHLER NR. N° DI SENSORI	"R" VALUE "WERT" "R" VALORE DI "R"
0	WITHOUT HEATER
1	47k OHM
2	39k OHM
3	27k OHM
4	12k OHM
5	BRIDGE

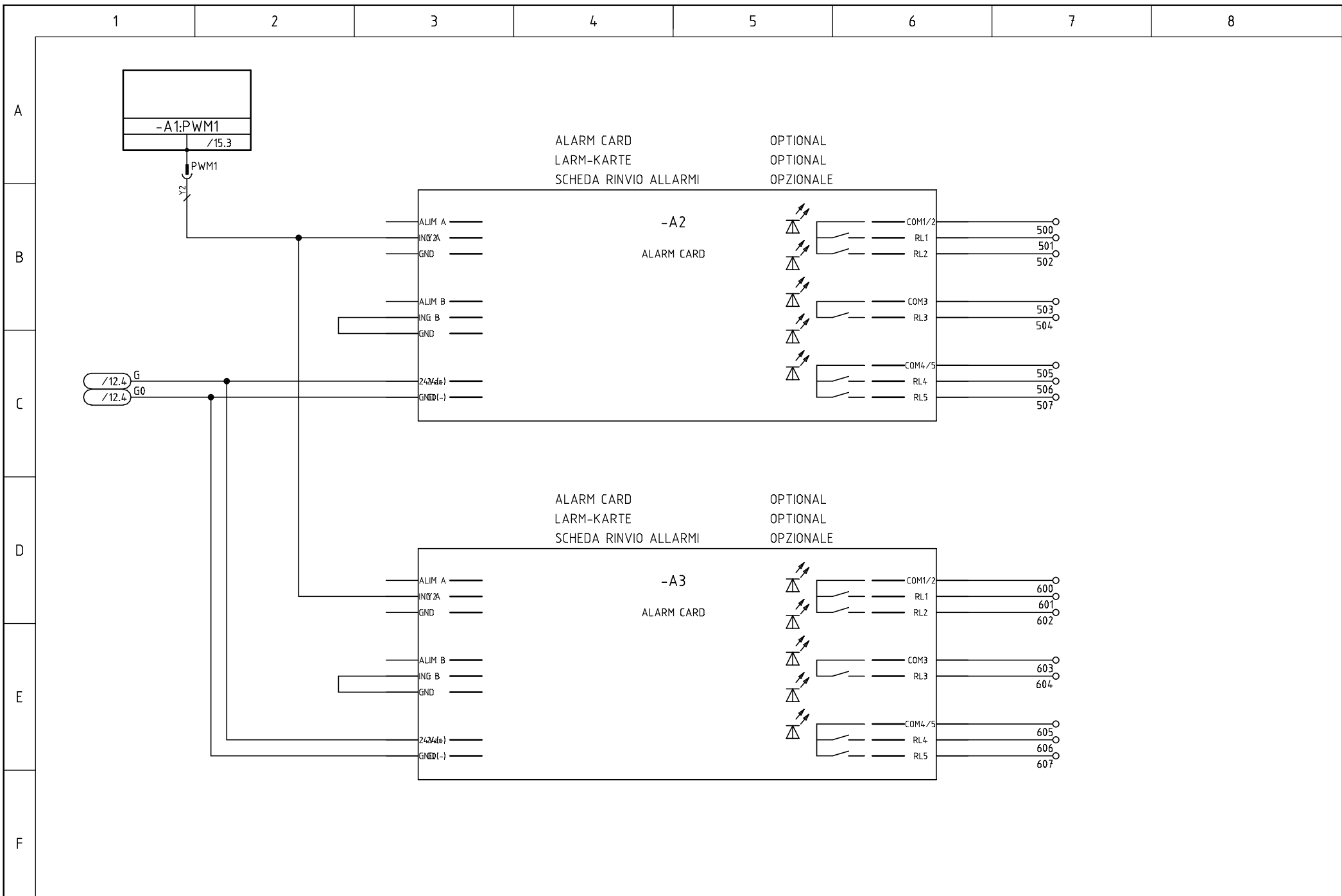
FLOODING ALARM
ALLARME WASSERAUSTRITT
OPTIONAL
OPTIONAL
OPZIONALE

AIR TEMPERATURE SENSOR
LUFTTEMPERATURFÜHLER
SENSORE DI TEMPERATURA ARIA
(WITH TEMPERATURE CONTROL ONLY
SOLO CON CONTROLLO DI TEMPERATURA

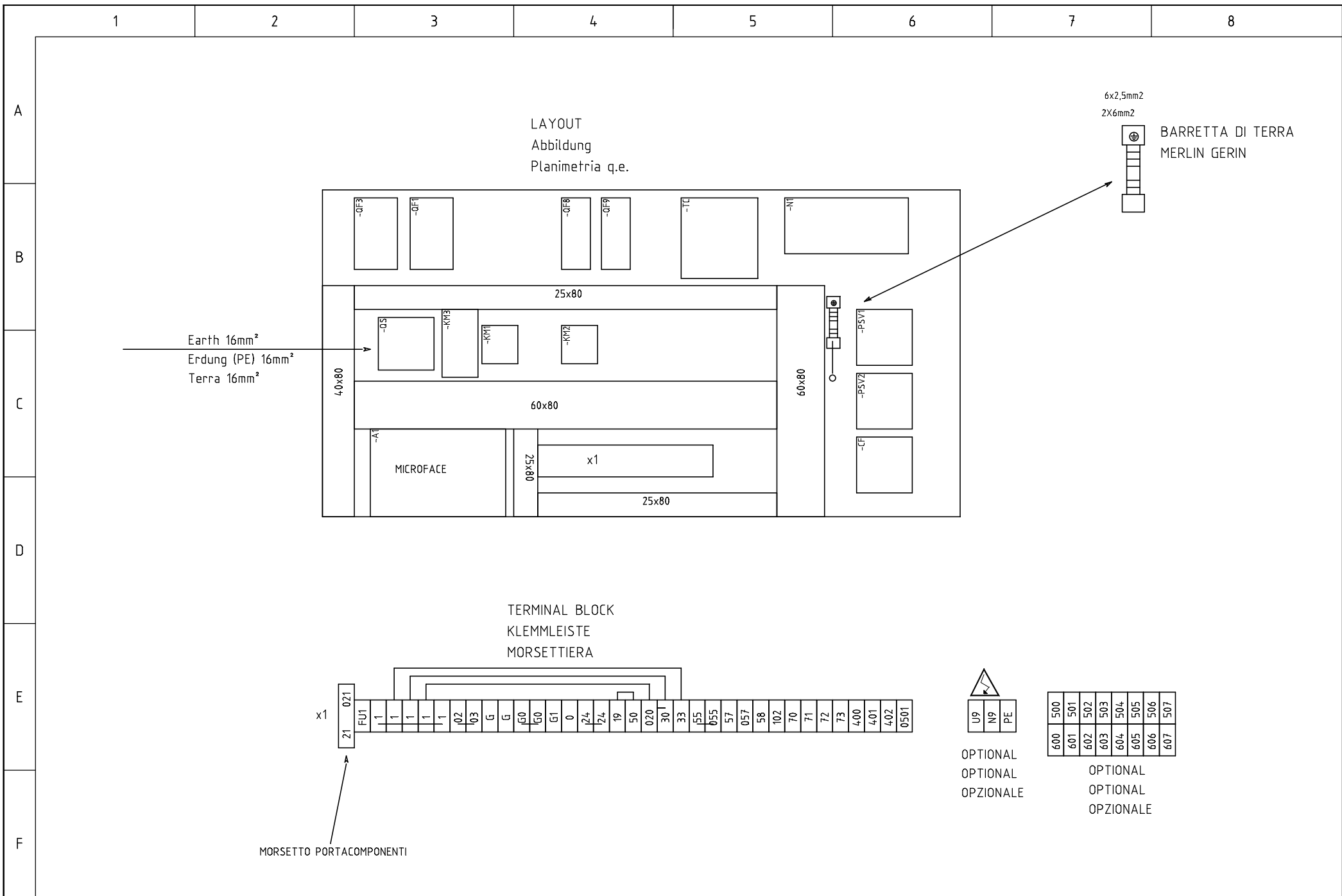


HOT WATER VALVE
HEISSWASSERVENTIL
VALVOLA ACQUA CALDA

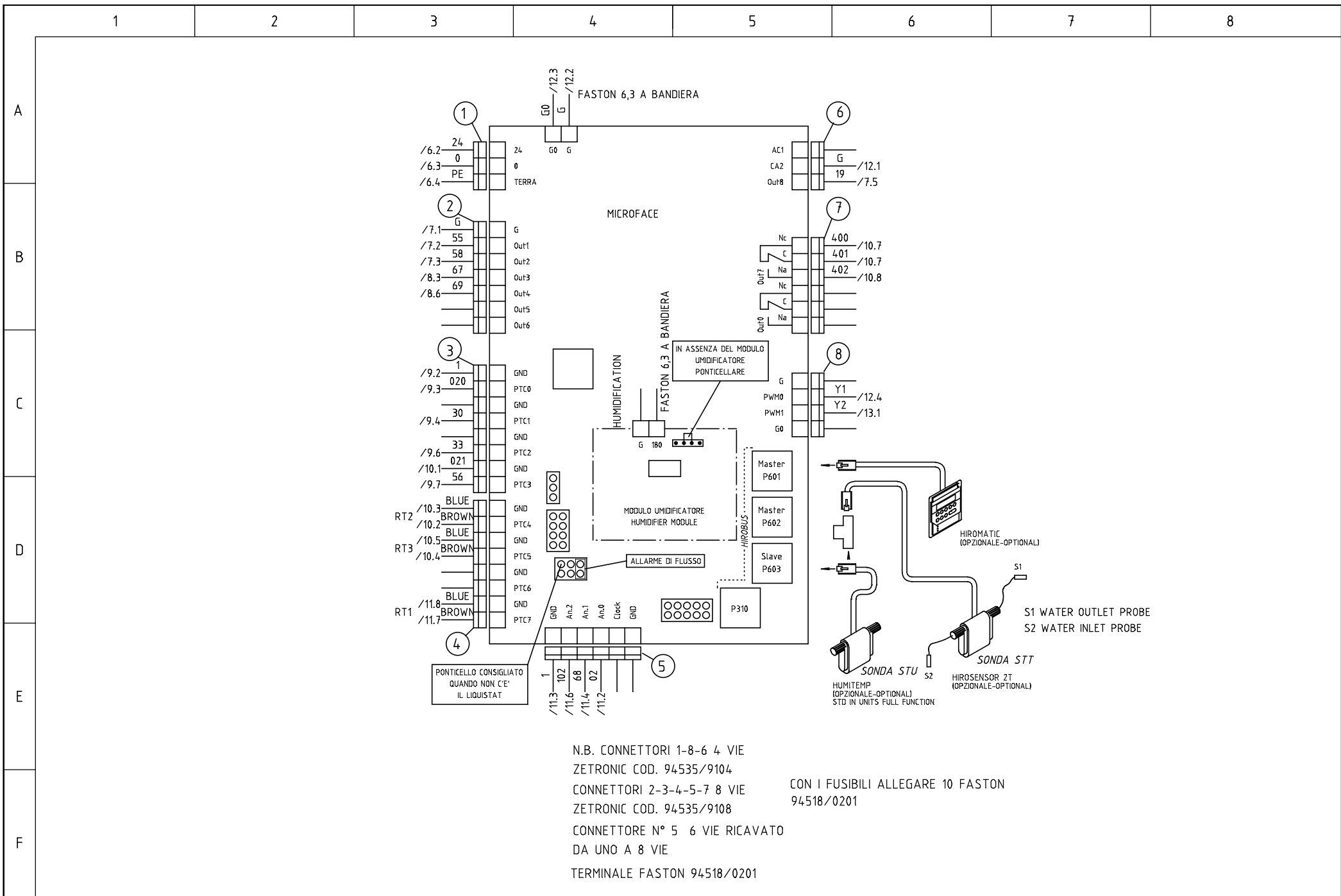
c		Date	09.10.2001	Wiring diagram name	Code	F	400 Vac 50 Hz		
b		Signature	F.A.	CD0105E02-G	317819			AUXILIARY CIRCUITS	
a		Contr.	G.G.			TYPE:	CP/HIMOD40 D/F/H	2 Schema	
Modification	Date	Date	Norm.	EN60204-1	Replaced for:	Replaced by:	Origin:	File: 317819g	
								Sheet 12 of 20	Continue 13



c		Date	09.10.2001	Wiring diagram name	Code	F	400 Vac 50 Hz		
b		Signature	F.A.	CD0105E02-G	317819			AUXILIARY CIRCUITS	
a		Contr.	G.G.			TYPE:	CP/HIMOD40 D/F/H	2 Schema	
Modification	Date	Date	Norm.	EN60204-1	Replaced for:	Replaced by:	Origin:	File: 317819g	
								Sheet 13 of 20	Continue



c		Date	09.10.2001	Wiring diagram name		Code	317819	F	400 Vac	50 Hz		
b		Signature	E.A.								LAYOUT	
a		Contr.	G.G.								3 Layout	
Modification	Date	Date	Norm.	EN60204-1	Replaced for:	Replaced by:	Origin:	CP/HIMOD40 D/F/H	File:	317819g	Sheet 14 of 20	Continue 15



c		Date	09.10.2001	Wiring diagram name	Code	F	400 Vac	50 Hz	
b		Signature	E.A.	CD0105E02-G	317819				LAYOUT
a		Contr.	G.G.			TYPE:	CP/HIMOD40 D/F/H	File: 317819g	3 Layout
Modification	Date	Date	Norm.	EN60204-1	Replaced for:	Replaced by:	Origin:	Sheet 15 of 20	Continue 16

1

2

3

4

5

6

7

8

A

B

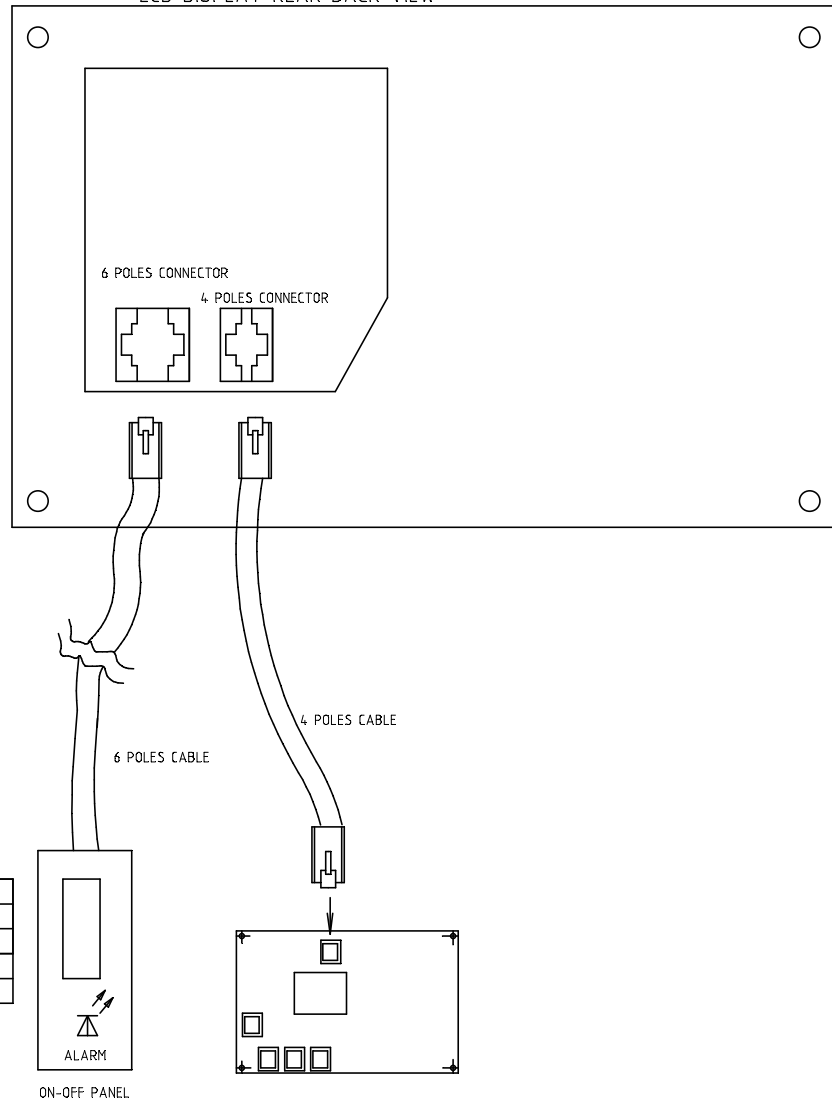
C

D

E

F

LCD DISPLAY REAR BACK VIEW

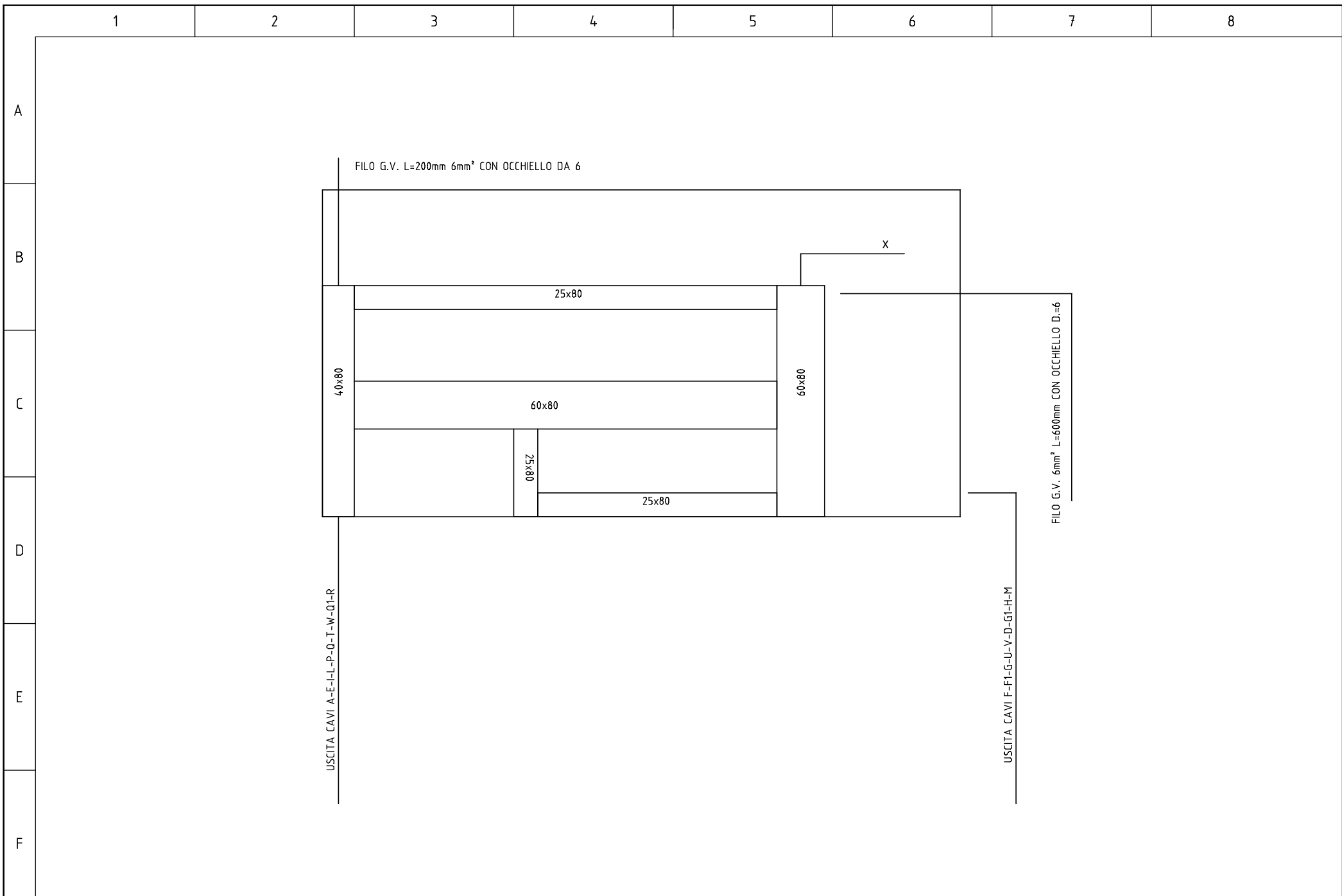


ON-OFF PANEL	
LED COLOR	AIR COND. UNIT STATUS
GREEN ON	UNIT OPERATING
RED ON	UNIT IN ALARM
GREEN FLASHING	UNIT IN STAND-BY
ORANGE ON	UNIT POWERED BUT NOT OPERATING

	1	2	3	4	5	6	7	8
A								
B								
C								
D								
E								
F								

	UTENZA	NUMERO	LUNGHEZZA CAVI	TERMIN.	CAVO TIPO NPI
A	COMPRESSORE	UVW.3+PE	4X6mm ² L=3500mm	1 OCCHIELLO ⁰⁰⁵ 1 OCCHIELLO ⁰⁰⁶ PER TERRA	3X6mm ² +T CAVO DA COMM.
D	ELETTROV. FREON	057-G	2X1 mm ² L=3400mm		CAVO TIPO NPI
E	HIGH PRESS. P_STAT	055-57	2x1 mm ² L=3700mm		CAVO TIPO NPI
F					
F1					
G	TRASFORMATORE	R3-R4-R20-PE S3-S4-S20 T3-T4-G0-G1	3x1.5mm ² L=1370mm+PE 3x1.5mm ² L=1230mm 4x1.5mm ² L=1080mm	NUMERARE CON ANELLI 1 OCCHIELLO ⁰⁰⁵ PER TERRA	IN CALZA
G1					
H					
I	RESIST. CARTER	RS.2+T	2x1.5mm ² +T L=3500mm	PUNTALI	2X1.5mm ² +T NPI CAVO DA COMMERCIO
L	LOW PRESS. P_STAT	56-21	2x1 mm ² L=3800mm		CAVO TIPO NPI
M					
P	VENTILATORE 1	UVW.1+PE	3x1.5mm ² L=3400mm+PE	PUNTALI	3X1.5mm ² +T NPI CAVO DA COMMERCIO
Q	VENTILATORE 2	UVW.2+PE	3x1.5mm ² L=3400mm+PE	PUNTALI	3X1.5mm ² +T NPI CAVO DA COMMERCIO
Q	KLIXON VENTILATORE 1	054-G1	2 x 1mm ² L=3400mm	PUNTALI	2X1mm ² NPI CAVO DA COMMERCIO
R	KLIXON VENTILATORE 2	056-G1	2 x 1mm ² L=3400mm	PUNTALI	2X1mm ² NPI CAVO DA COMMERCIO
S					
T	PROTEZ. INTEGRALE	57-057-0-24	4x1.5mm ² L=3500mm	FASTON 6,3 A BANDIERA	
U	PSV1 VENTILATORE 1	1-03	2 x 1mm ² L=900mm	FORCINA	2X1mm ² NPI CAVO DA COMMERCIO
V	PSV2 VENTILATORE 2	03-1	2 x 1mm ² L=900mm	FORCINA	2X1mm ² NPI CAVO DA COMMERCIO
W	VALVOLA ACQUA FREDDA	67-69-G	3 x 1mm ² L=3700mm	PUNTALI	3X1mm ² NPI CAVO DA COMMERCIO
X	SCHEDA	Y1-G-G0-24	4X1mm ² L=800mm IN GUAINA	FASTON 6.3 A BANDIERA	

c		Date	09.10.2001	Wiring diagram name			Code	F	400 Vac 50 Hz	
b		Signature	G.A.	CD0105E02-G			317819			LAYOUT
a		Contr.	G.G.							
	Modification	Date	Norm.	Replaced for:	Replaced by:	Origin:		TYPE:	CP/HIMOD40 D/F/H	File: 317819g
			EN60204-1							3 Layout
										Sheet 17 of 20 Continue 18



c		Date	09.10.2001	Wiring diagram name			Code	F	400 Vac	50 Hz			
b		Signature	G.A.	CD0105E02-G			317819				LAYOUT		
a		Contr.	G.G.								3 Layout		
Modification	Date	Date	Norm.	EN60204-1	Replaced for:	Replaced by:	Origin:	CP/HIMOD40 D/F/H		File:	317819g	Sheet 18 of 20	Continue

1		2		3		4		5		6		7		8		
QUANTITY	ARTICLE CODE	DESCRIPTION				TECHNICAL DATA			CATALOGUE NO.	IDENTIFIER	RE.	MANUFACTURER	Code			
A	28	MICROFACE								-A1	/15.3					
		ALARM RETURN CARD								-A2	/13.3					
		ALARM RETURN CARD								-A3	/13.3					
		RETIMING CONDENSER								-C2	/3.3					
		RETIMING CONDENSER								-C3	/4.2					
B		RETIMING CONDENSER								-C4	/4.6					
		CLOGGED FILTER ALARM								-CF	/9.6					
		FREECOOLER/DUAL FLUID VALVE								-CWMV	/8.5					
		HOT WATER VALVE								-HWV	/12.7					
		UNITA' CONDENSANTE								-M1	/3.6					
C		ALARM RETURN CARD								-N1	/12.4					
		FAN 1 DIFF. PRESSURE SWITCH								-PSV1	/11.1					
		FAN 2 DIFF. PRESSURE SWITCH								-PSV2	/11.2					
		WATER INLET PROBE								-RT2	/10.2					
		OUTER AIR TEMPERATURE PROBE								-RT3	/10.4					
D		REMOTE ON/OFF								-S1	/9.3					
		USER 1 INPUT								-S2	/9.4					
		WATER INLET PROBE								-ST14	/10.5					
		FREON SOLENOID VALVE								-YV1	/7.3					
		CRANKCASE HEATER								-EH3	/5.2					
E		FAN 1								-EV1	/4.3					
		FAN 2								-EV2	/4.7					
		FAN 1 INNER KLIXON								-FR1	/7.4					
		FAN 2 INNER KLIXON								-FR2	/7.7					
		LOW PRESSURE SWITCH								-LP	/10.1					
F		COMPRESSOR								-M3	/3.4					
		INTEGRAL PROTECT. FOR COMP. 1								-PI	/5.6					
		AIR SUCTION TEMP. PROBE								-RT1	/11.7					
	2	HS05.11	FAN 1 CONTACTOR		HS05.11 1NA+1NC		910-393-082		-KM1	/7.4	AEG					
			FAN 2 CONTACTOR		HS05.11 1NA+1NC		910-393-082		-KM2	/7.7	AEG					
1	LWD	FLOODING ALARM		LWD				-R	/11.6	HIROSS	275180					
1	MKPC44/2	ANTI-NOISE FILTER		MKPC44/2		MKPC44/2		-C5	/5.4	ARCOTRONICS	254324					
1	MKT1-43	ANTI-NOISE FILTER		MKT1-43		0,5microF 100ohm		-SSF	/7.2	ARCOTRONIC	254656					
1	RESISTENZA 2,2K	RESISTENZA		2,2K				-R1	/10.1							
c		Date	09.10.2001		Wiring diagram name			Code	F		400 Vac	50 Hz	COMPONENT LIST			
b		Signature	T.A.		CD0105E02-G			317819	TYPE:		CP/HIMOD40 D/F/H		File:	317819g		4 Lista componenti
a		Contr.	G.G.												Sheet 19 of 20	Continue 20
Modification	Date	Date	Norm.	EN60204-1		Replaced for:	Replaced by:	Origin:								

1

2

3

4

5

6

7

8

A

REVISION INDEX

Revision date

REVISION INDEX

Description

Signature

03/09/98

G

AGGIORNATO TABELLA CAVI E PLANIMETRIA

T.A.

B

C

D

E

F

c		Date	09.10.2001	Wiring diagram name	Code	F	400 Vac	50 Hz	
b		Signature	T.A.	CD0105E02-G	317819				CD0105E02-G
a		Contr.	G.G.			TYPE:	CP/HIMOD40 D/F/H	File: 317819q	5 REVISIONI
Modification	Date	Date	Norm.	EN60204-1	Replaced for:	Replaced by:	Origin:		Sheet 21 of 20

Continue