

## Document list

A	Document type	Sheet	Description	Rev.
	0 Copertina	1		
1 Specifiche elettriche	2			
2 Schema	3			
2 Schema	4			
2 Schema	5			
2 Schema	6			
2 Schema	7			
2 Schema	8			
2 Schema	9			
2 Schema	10			
2 Schema	11			
2 Schema	12			
2 Schema	13			
3 Layout	14			
3 Layout	15			
3 Layout	16			
3 Layout	17			
3 Layout	18			
4 Lista componenti	19			
4 Lista componenti	20			

Wire Colour Code	
BLACK	Power
RED	Auxiliaries 24 V
YELLOW/GREEN	Ground

Reference code: /3 .6  
  
 ← Sheet      → Column

E	Customer:		
	Order:		
	Supply: 400 V 50 Hz		
F	Auxiliary circuits: 24 V		
	NOTE 1		
	NOTE 2		
NOTE 3			

Customer:		Order:	
Supply: 400 V 50 Hz		Auxiliary circuits: 24 V	
NOTE 1		NOTE 2	
NOTE 2		NOTE 3	
F		400 Vac	50 Hz
TYPE: CP/HIMOD20-24DX		File: 317805	0 Copertina
		Sheet 1 of 20	Contin.

c	Date	14.10.1999	<b>HIROSS</b> S.p.A.	Wiring diagram name CD0105E01-F	Code 317805		
b	Signature						
a	Contr.	G.G.					
Modification	Date	Date	Norm.	EN60204-1	Replaced for:	Replaced by:	Origin:

1

2

3

4

5

6

7

8

A

## ELECTRICAL SPECIFICATIONS-SPECIFICHE ELETTRICHE-ELEKTRISCHE ANGABEN

A)FAN 1  
VENTILATORE 1  
VENTILATOR 1

Un 400 3-50Hz  
20-24U/0 : No.1 Pa 2,3kW  
Ia 4,3A 1260rpm cosφ=0,85

B

B) COMPRESSOR  
COMPRESSORE  
KOMPRESSOR

Un 400 3-50Hz (FLA)  
20U/0 Pa 3,88kW Ia 10,8A cosφ=0,79   
24U/0 Pa 4,87kW Ia 15A cosφ=0,75

C

D

E

## SUPPLY LINE-LINEA ALIMENTAZIONE-VERSORGUNGSLINIE

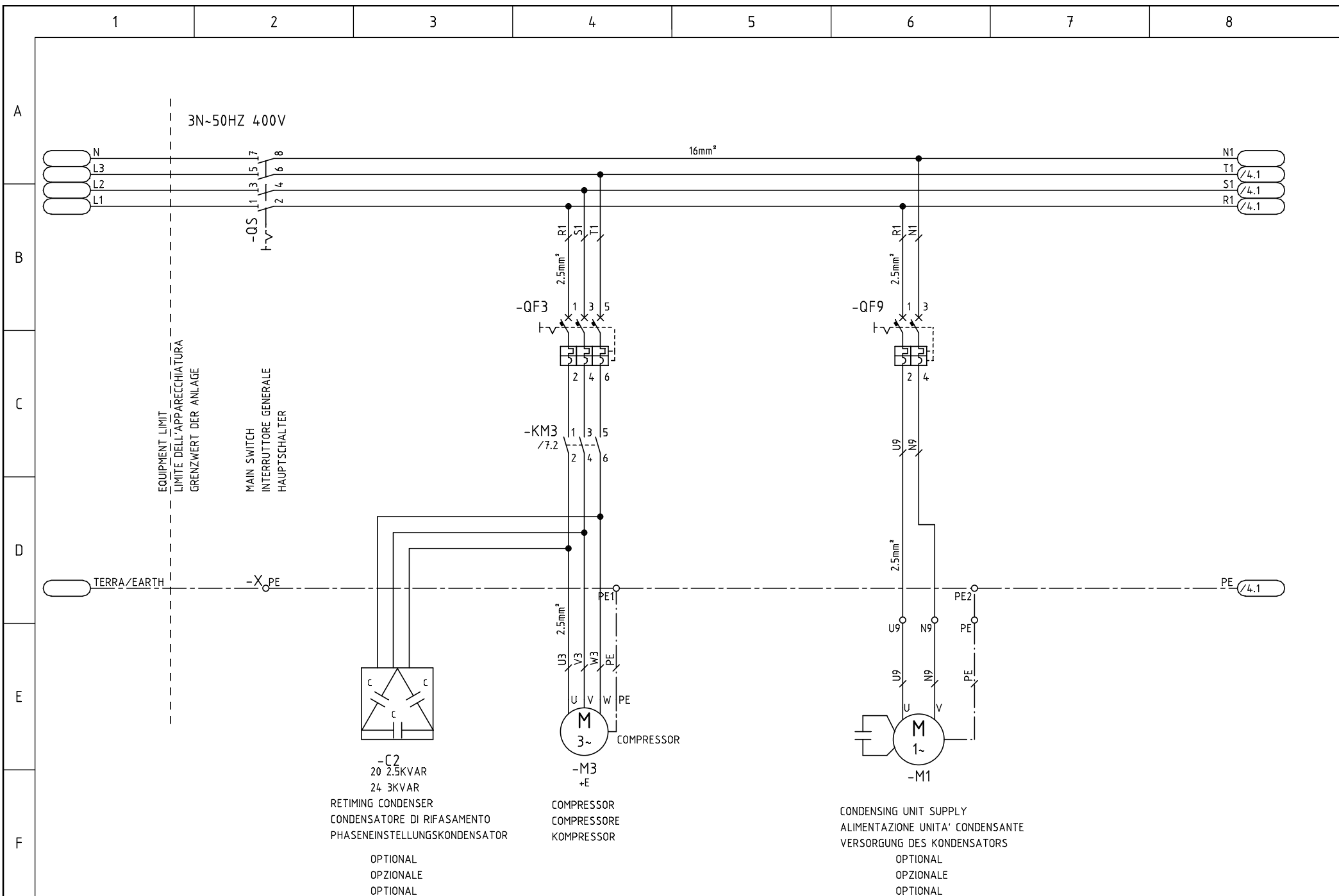
3-Phases +NEUTRAL+ EARTH (PE) 400V +N 50Hz  
3-Fasi +NEUTRO + TERRA (PE)  
3-Phasen + NULLEITER + Erdung (PE)

R22	I <sub>max</sub> :20U/0	I <sub>max</sub> :24U/0
A+B	16A	19,5A

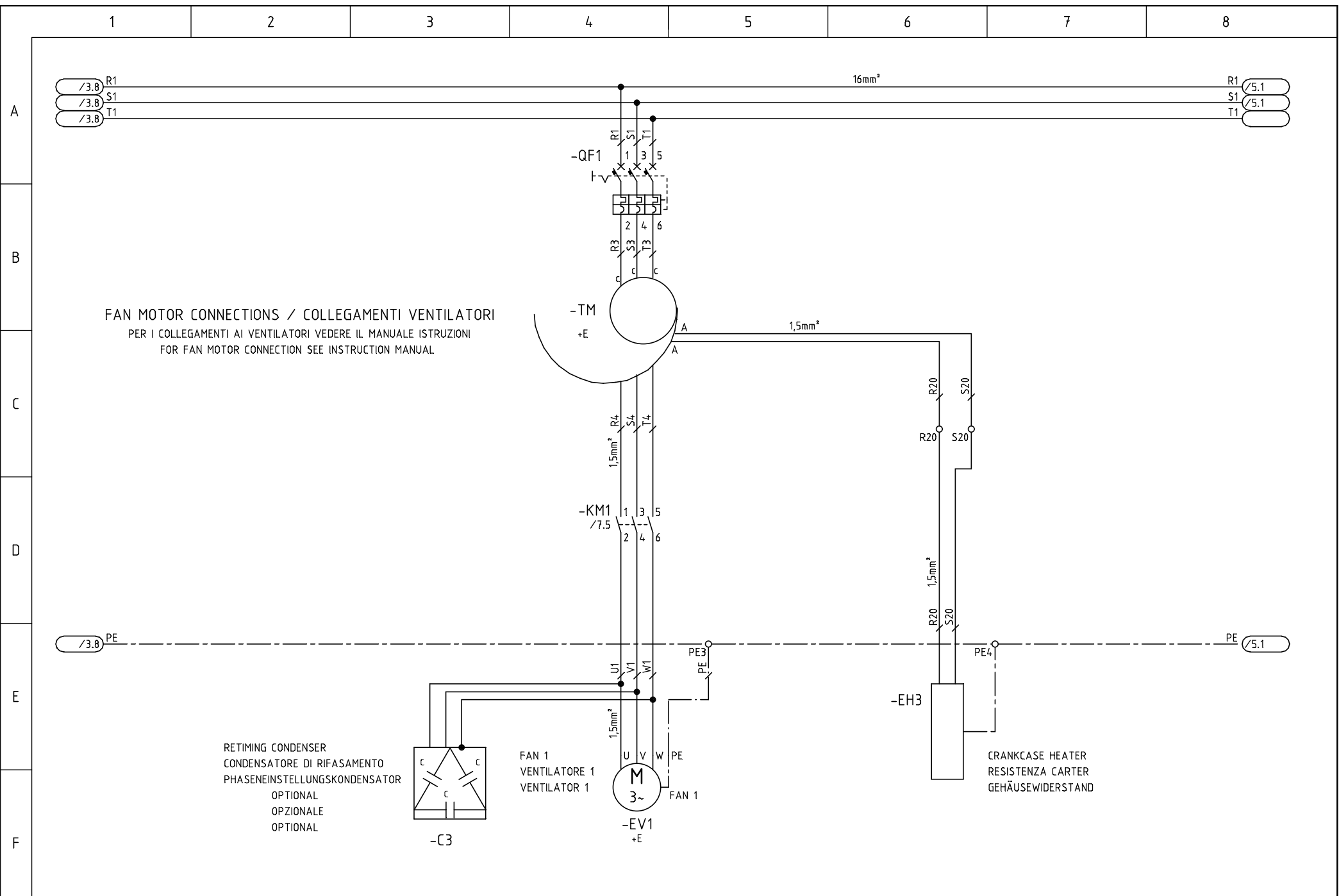
F

THIS DIAGRAM IS CARRIED OUT ACCORDING TO EUROPEAN STD EN60204-1-2

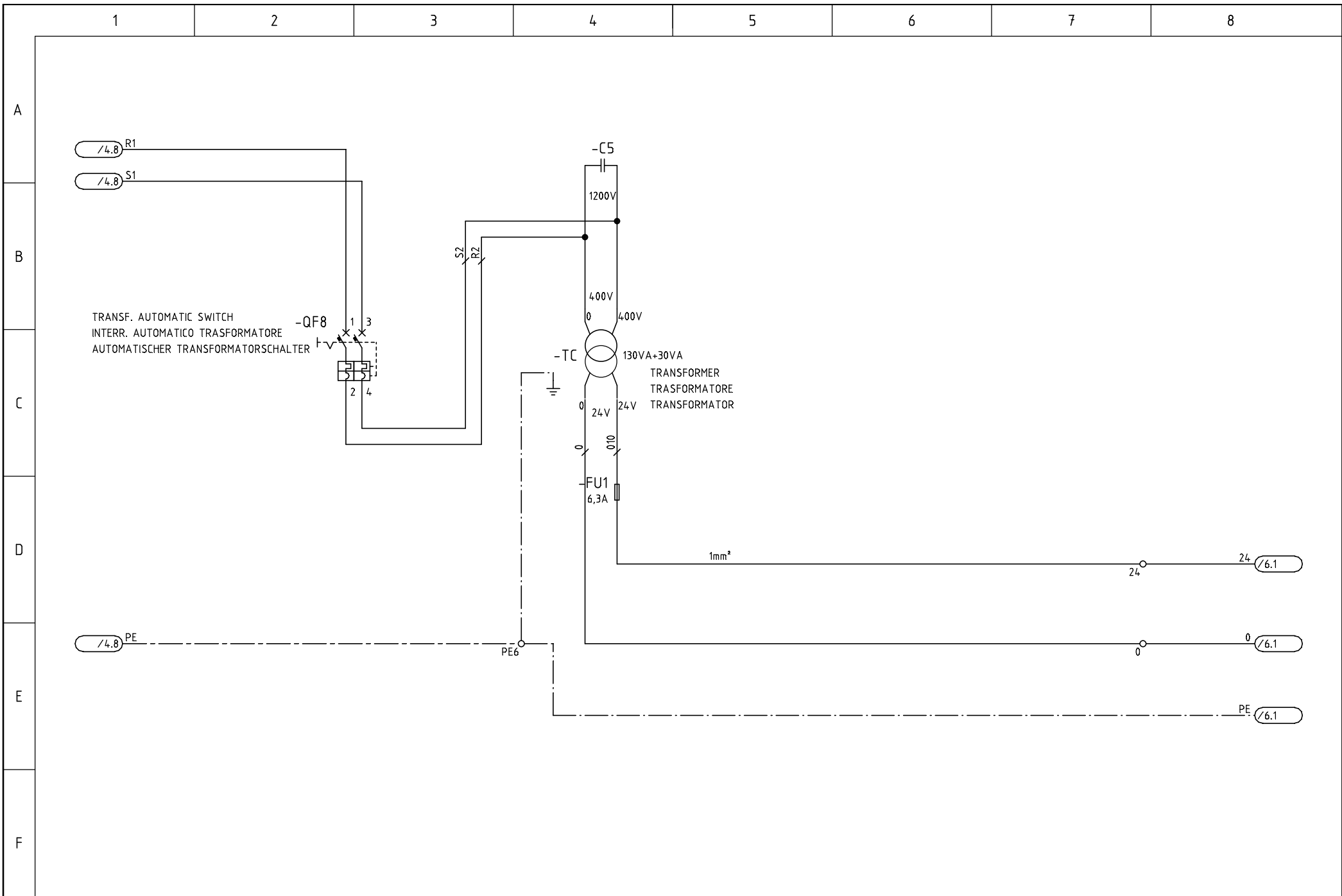
c		Date	19.07.1999	<b>HIROSS</b> S.p.A.	Wiring diagram name	Code	F	400 Vac	50 Hz	
b		Signature			CD0105E01-F	317805				
a		Contr.	G.G.		CP/HIMOD20-24DX	File:	317805	1 Specifiche elettriche		
Modification	Date	Date	Norm.	EN60204-1	Replaced for:	Replaced by:	Origin:	Sheet 2 of 20		Contin.



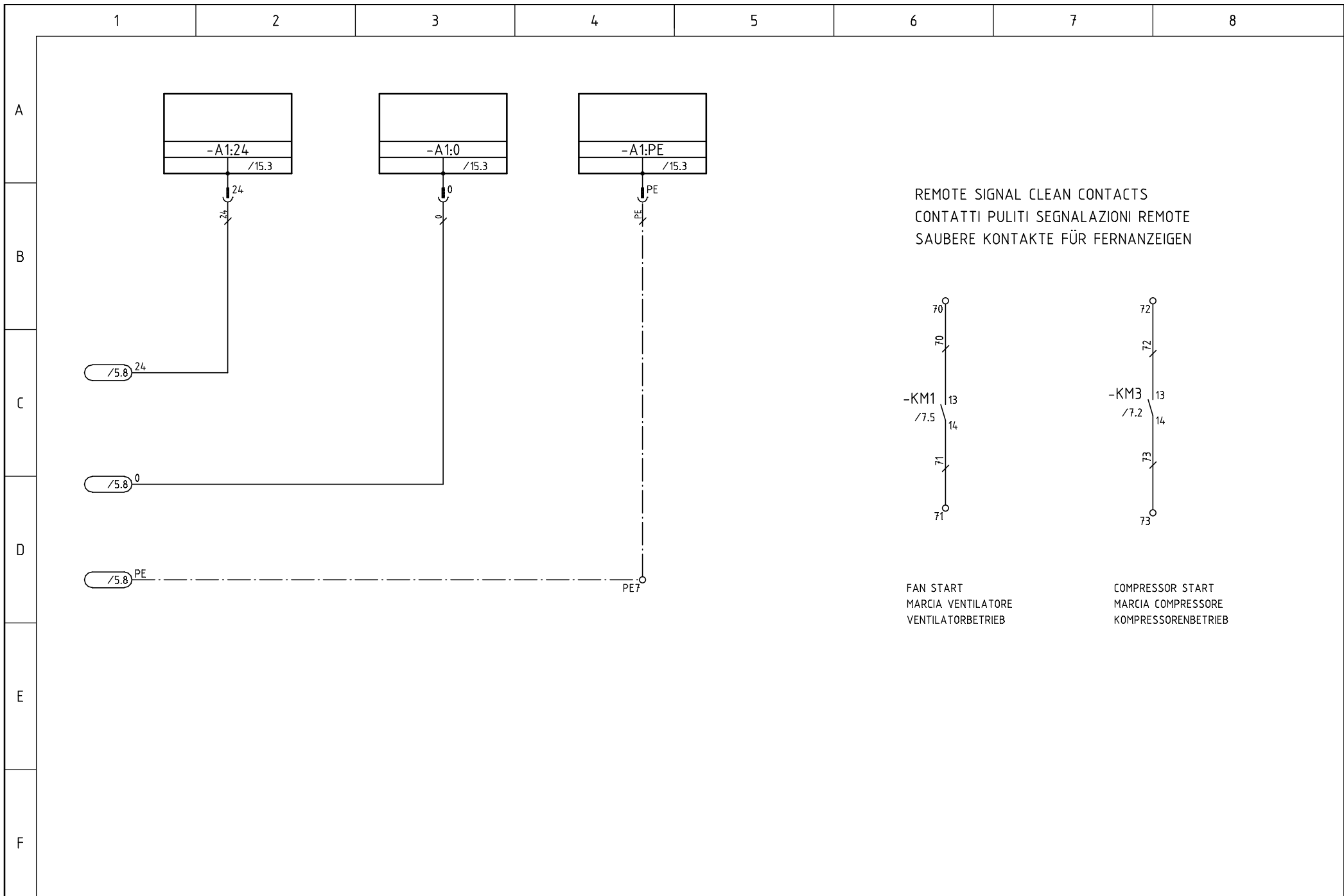
c		Date	19.07.1999		Wiring diagram name	Code	F	400 Vac	50 Hz					
b		Signature	G.A.		CD0105E01-F	317805								
a		Contr.	G.G.				TYPE:	CP/HIMOD20-24DX	File:	317805	2 Schema			
	Modification	Date	Date	Norm.	EN60204-1	Replaced for:		Replaced by:		Origin:		Sheet 3 of 20	Contin.	4

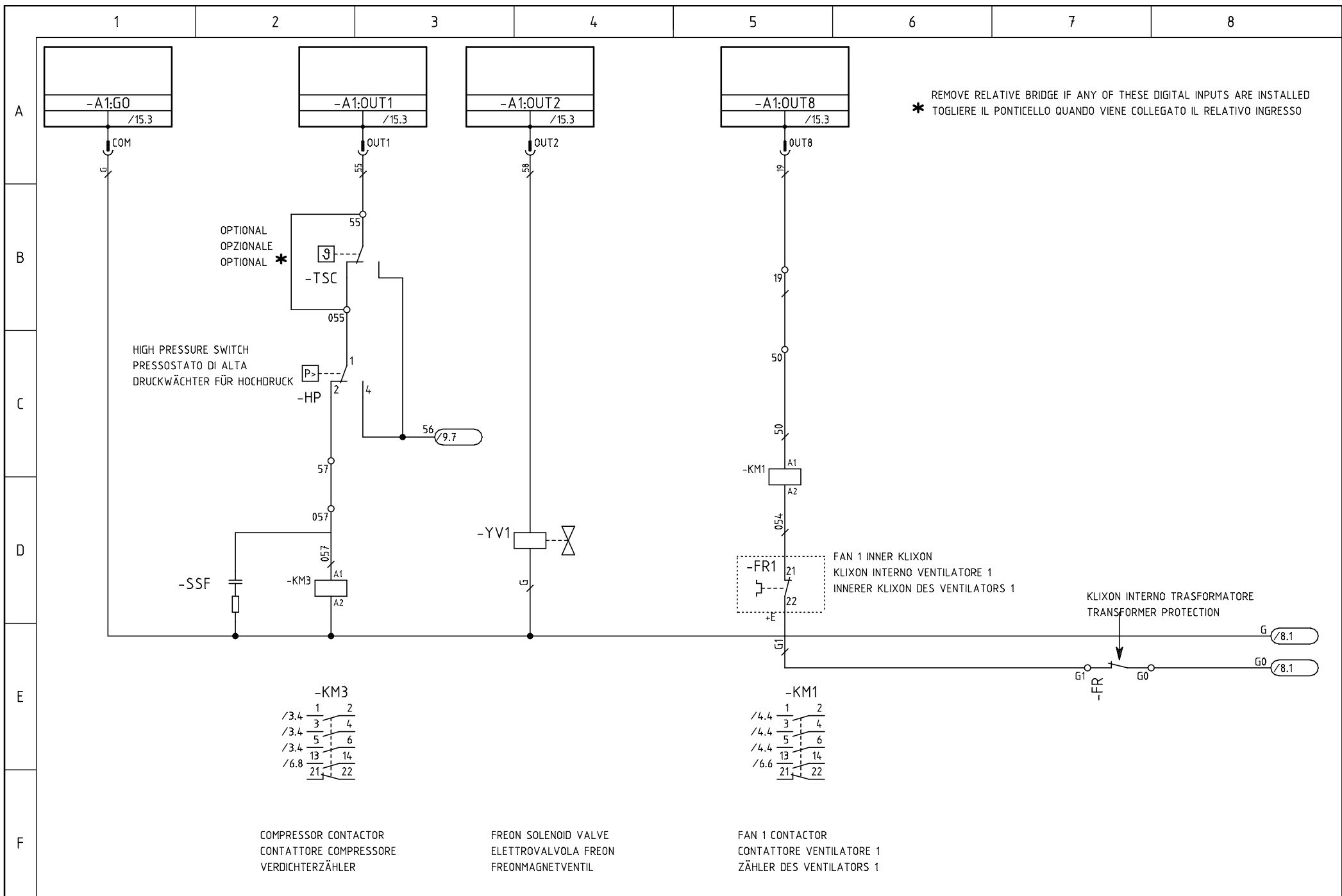


c		Date	14.10.1999		Wiring diagram name	Code	F	400 Vac	50 Hz								
b		Signature	G.A.		CD0105E01-F	317805											
a		Contr.	G.G.														
	Modification	Date	Date	Norm.	EN60204-1	Replaced for:	Replaced by:	Origin:		TYPE:	CP/HIMOD20-24DX	File:	317805	2 Schema	Sheet 4 of 20	Contin.	5

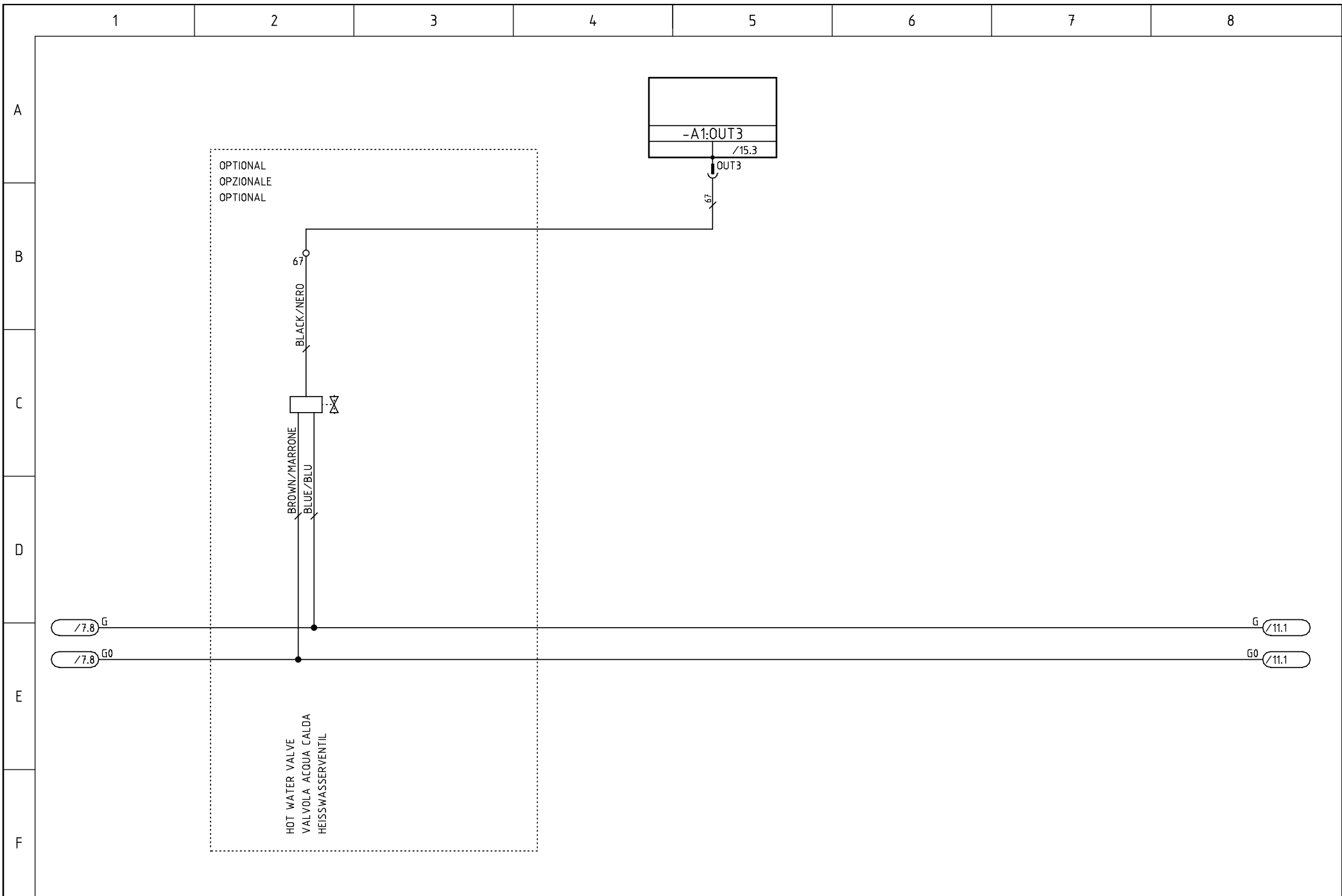


c			Date	14.10.1999		Wiring diagram name	Code	F	400 Vac	50 Hz		
b			Signature	G.A.		CD0105E01-F	317805					
a			Contr.	G.G.				TYPE:	CP/HIMOD20-24DX	File:	317805	2 Schema
	Modification	Date	Date	Norm.	EN60204-1	Replaced for:	Replaced by:	Origin:			Sheet 5 of 20	Contin. 6



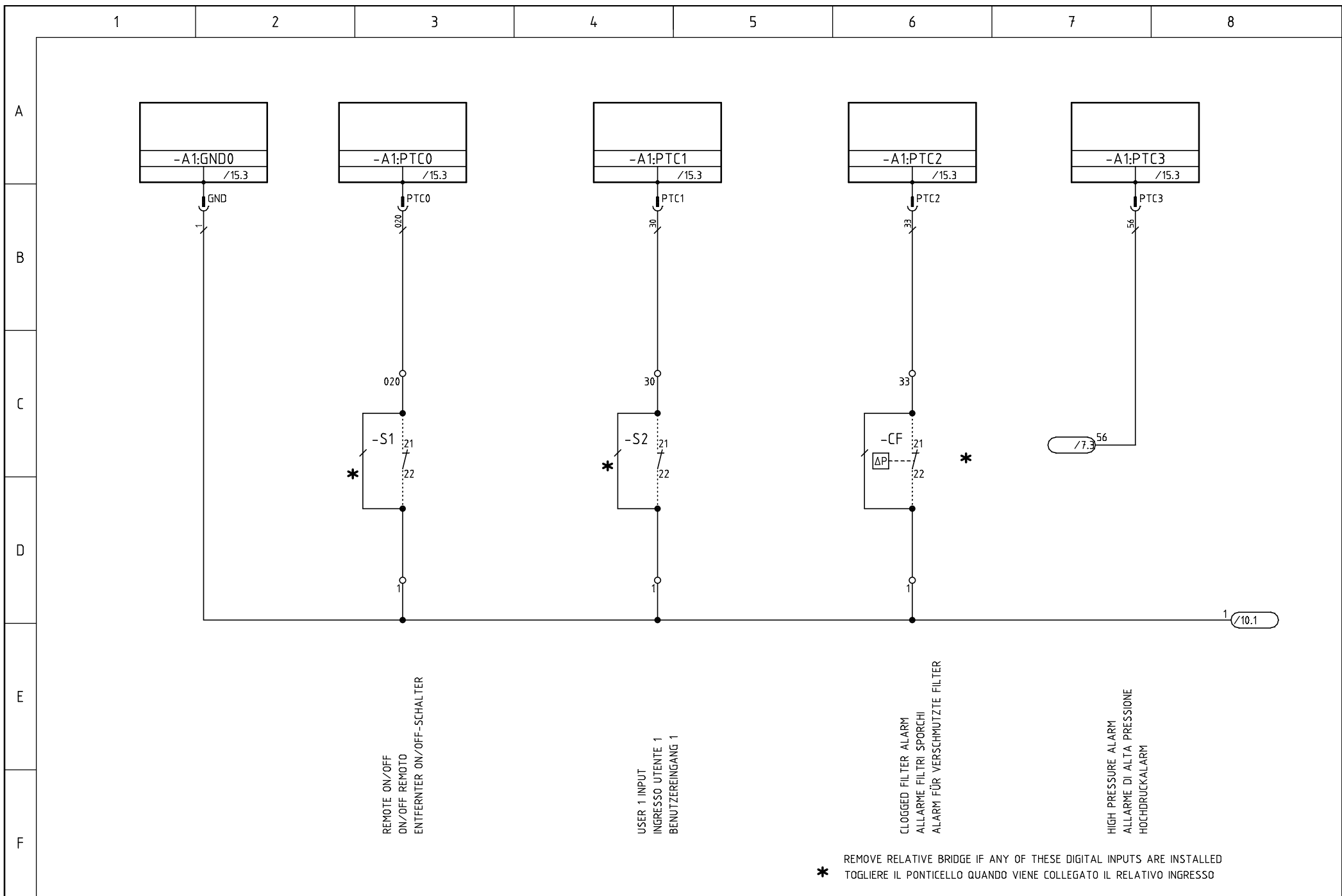


c		Date	14.10.1999		Wiring diagram name	Code	F	400 Vac	50 Hz		
b		Signature	G.A.		CD0105E01-F	317805					
a		Contr.	G.G.								
	Modification	Date	Date	Norm.	EN60204-1	Replaced for:	Replaced by:	Origin:			
							CP/HIMOD20-24DX	File:	317805	2 Schema	
										Sheet 7 of 20	Contin. 8

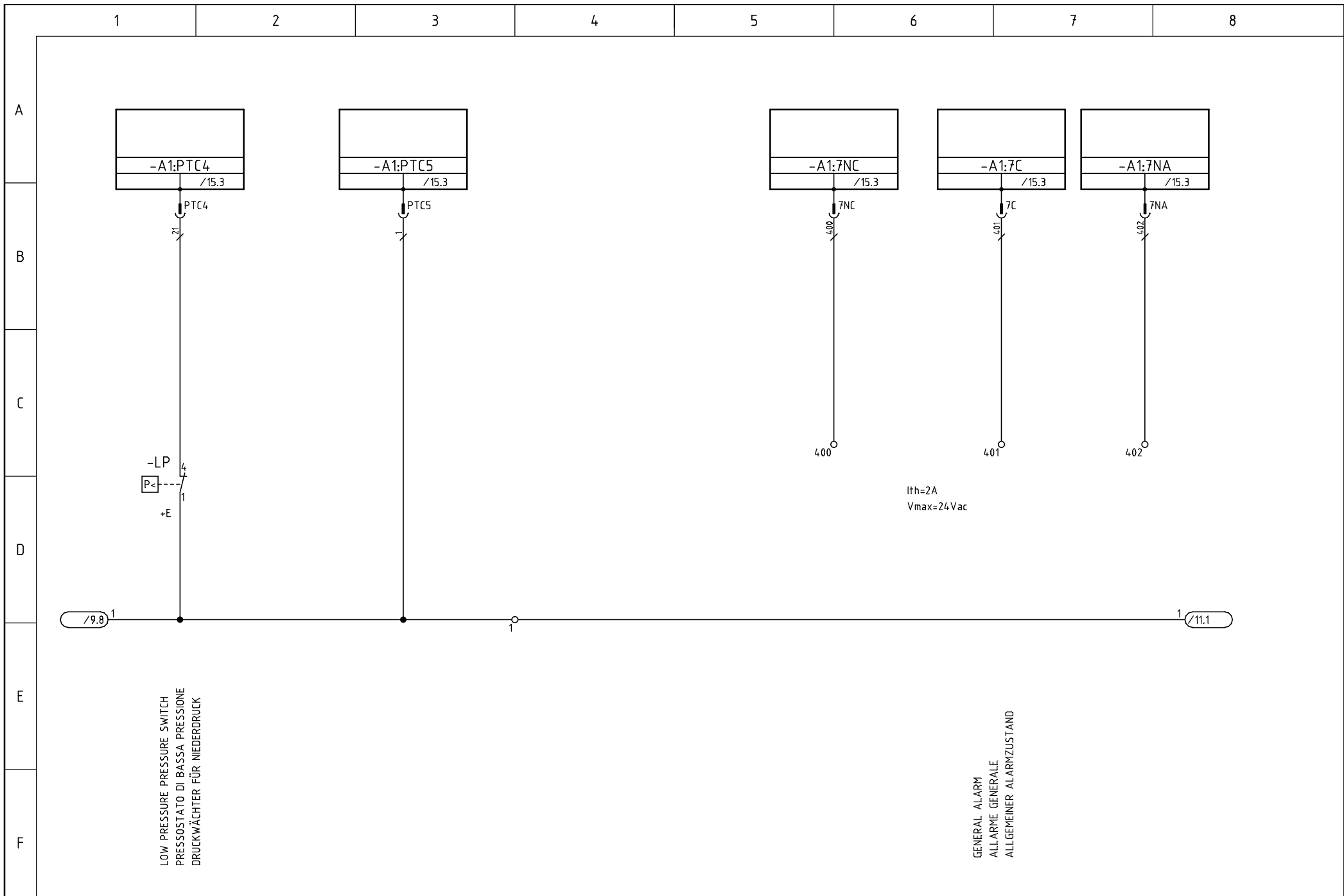


c		Date	14.10.1999		Wiring diagram name	Code	F	400 Vac	50 Hz					
b		Signature	G.A.		CD0105E01-F	317805								
a		Contr.	G.G.		S.p.A.									
Modification	Date	Date	Norm.	EN60204-1	Replaced for:	Replaced by:	Origin:	CP/HIMOD20-24DX	File:	317805	2 Schema	Sheet 8 of 20	Contin.	9

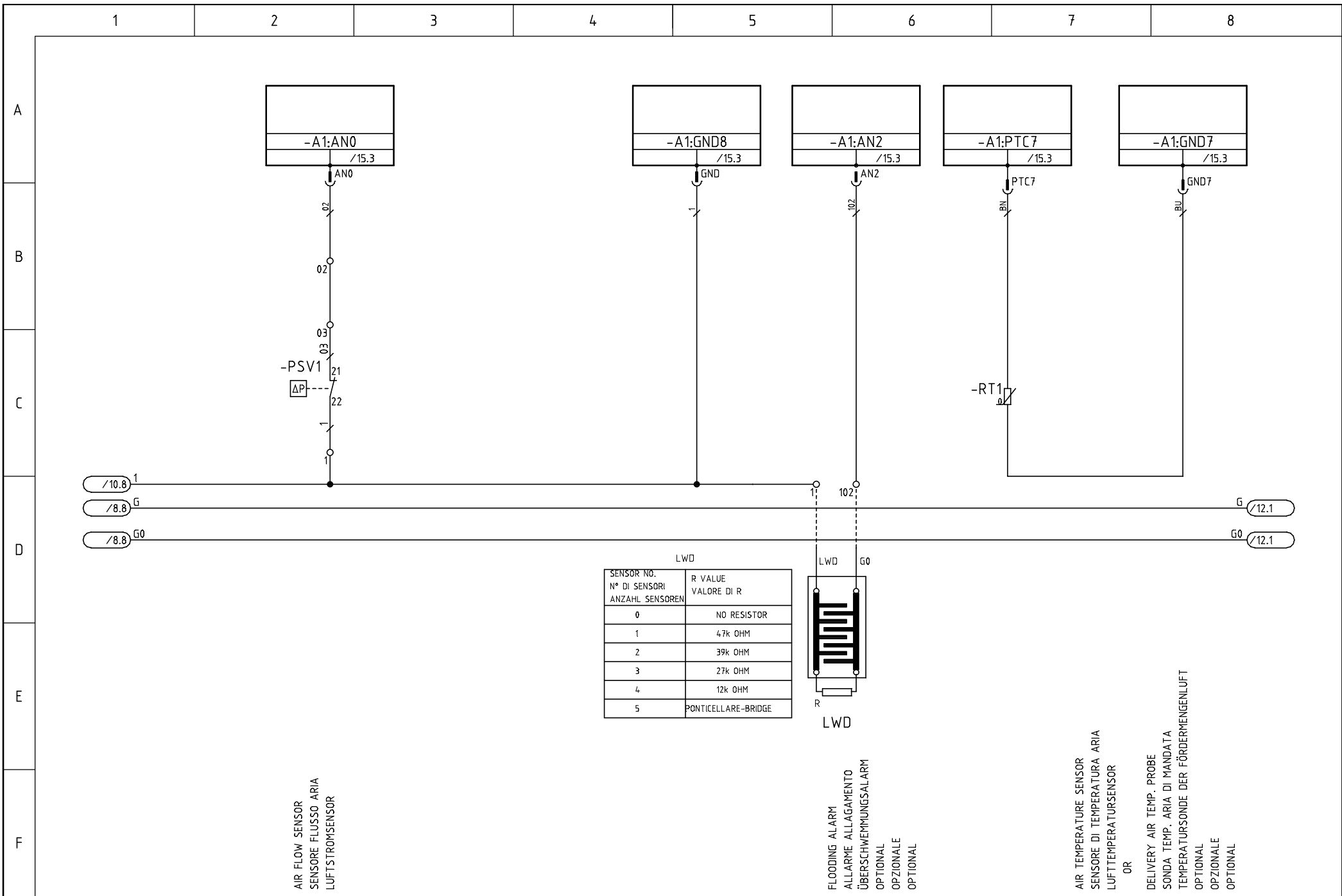


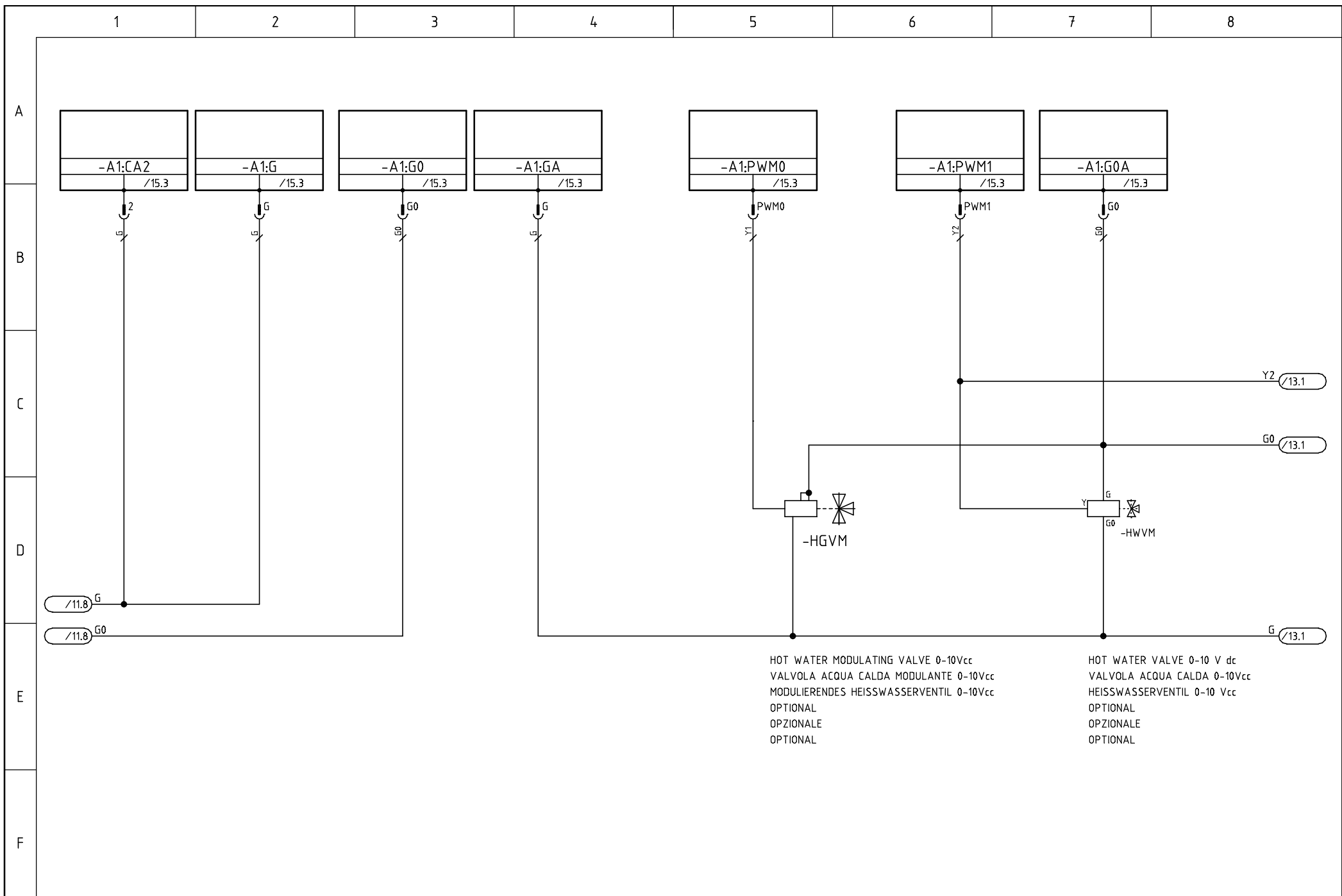


c		Date	14.10.1999		Wiring diagram name	Code	F	400 Vac	50 Hz					
b		Signature	G.A.		CD0105E01-F	317805								
a		Contr.	G.G.		s.p.A.			TYPE:	CP/HIMOD20-24DX	File:	317805			
	Modification	Date	Date	Norm.	EN60204-1	Replaced for:	Replaced by:	Origin:			2. Schema	Sheet 9 of 20	Contin.	10



c		Date	14.10.1999		Wiring diagram name	Code	F	400 Vac	50 Hz					
b		Signature	G.G.		CD0105E01-F	317805								
a		Contr.	G.G.				TYPE:	CP/HIMOD20-24DX	File:	317805	2 Schema			
	Modification	Date	Date	Norm.	EN60204-1	Replaced for:		Replaced by:		Origin:		Sheet 10 of 20	Contin.	11

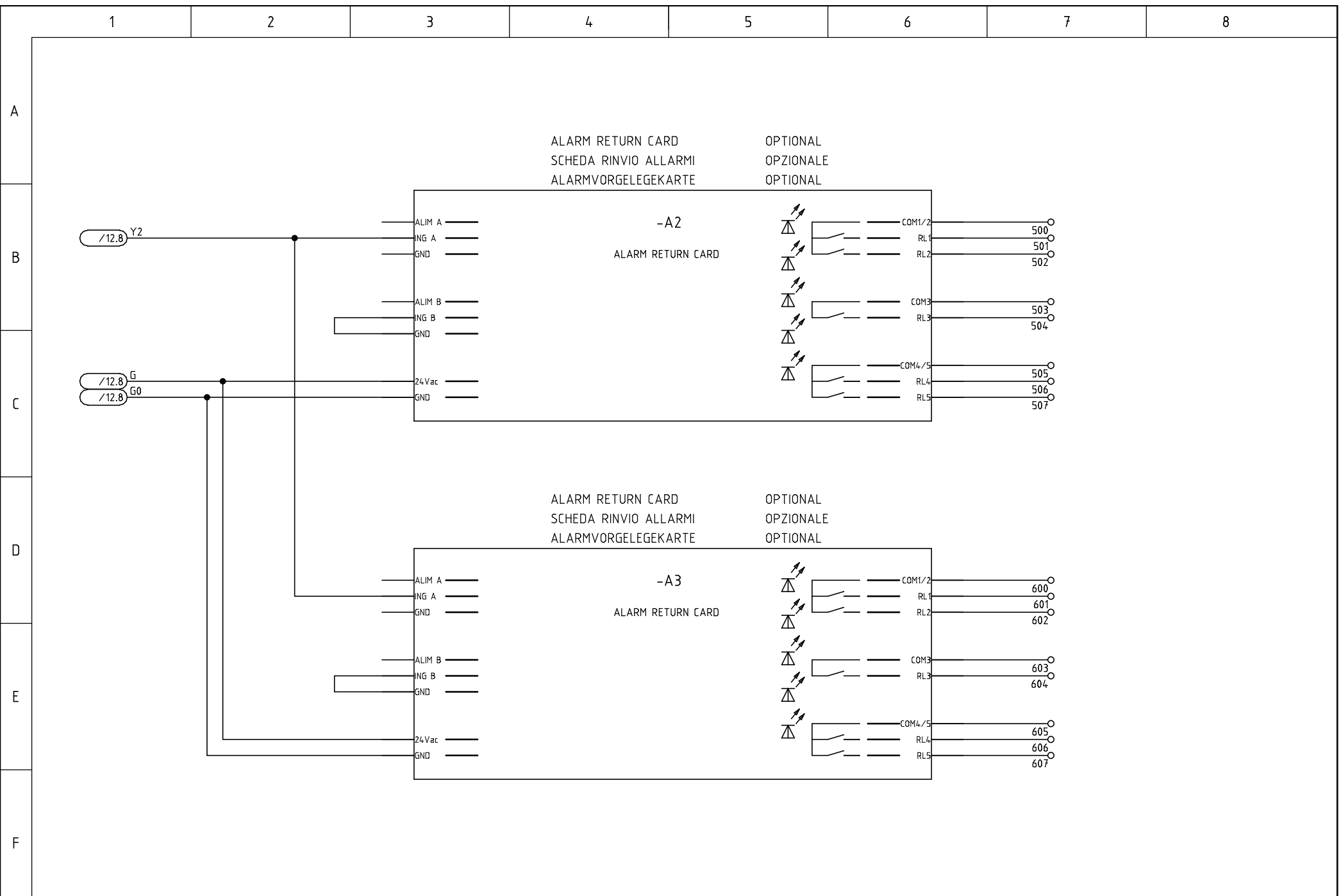




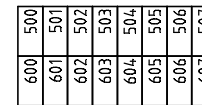
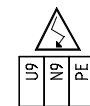
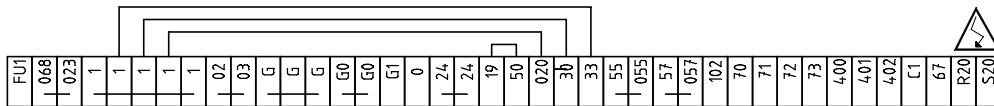
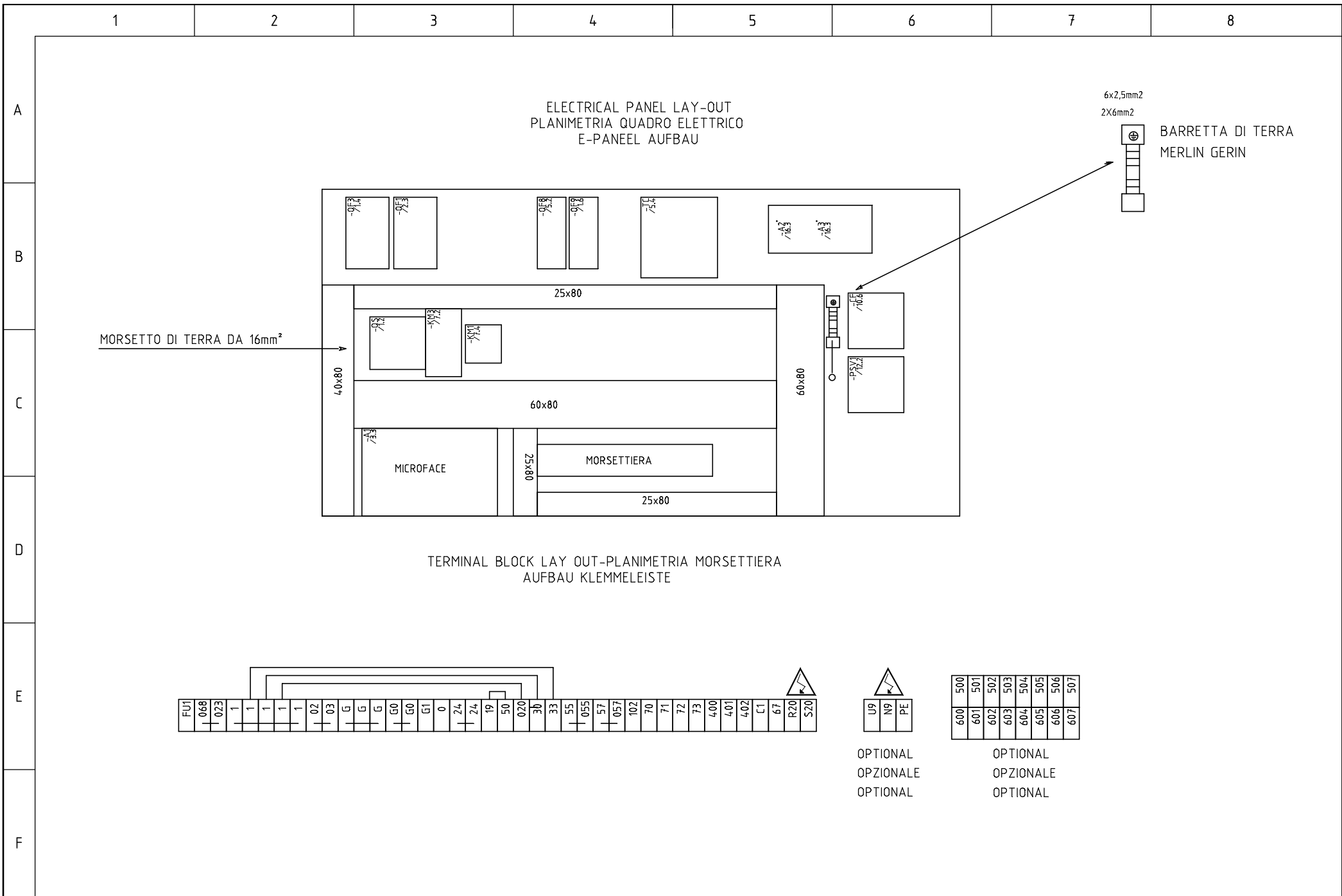
HOT WATER MODULATING VALVE 0-10Vcc  
 VALVOLA ACQUA CALDA MODULANTE 0-10Vcc  
 MODULIERENDES HEISSWASSERVENTIL 0-10Vcc  
 OPTIONAL  
 OPZIONALE  
 OPTIONAL

HOT WATER VALVE 0-10 V dc  
 VALVOLA ACQUA CALDA 0-10Vcc  
 HEISSWASSERVENTIL 0-10 Vcc  
 OPTIONAL  
 OPZIONALE  
 OPTIONAL

c		Date	14.10.1999		Wiring diagram name	Code	F	400 Vac	50 Hz							
b		Signature	G.A.		CD0105E01-F	317805										
a		Contr.	G.G.													
	Modification	Date	Date	Norm.	EN60204-1	Replaced for:	Replaced by:	Origin:		CP/HIMOD20-24DX	File:	317805	2 Schema	Sheet 12 of 20	Contin.	13



c		Date	14.10.1999	<b>HIROSS</b> S.p.A.	Wiring diagram name CD0105E01-F	Code 317805	F	400 Vac	50 Hz		
b		Signature	G.G.				TYPE:	CP/HIMOD20-24DX	File:	317805	2 Schema
a		Contr.	G.G.				Replaced for:		Replaced by:		Origin:
	Modification	Date	Date	Norm.	EN60204-1						



OPTIONAL  
OPZIONALE  
OPTIONAL

OPTIONAL  
OPZIONALE  
OPTIONAL

1

2

3

4

5

6

7

8

A

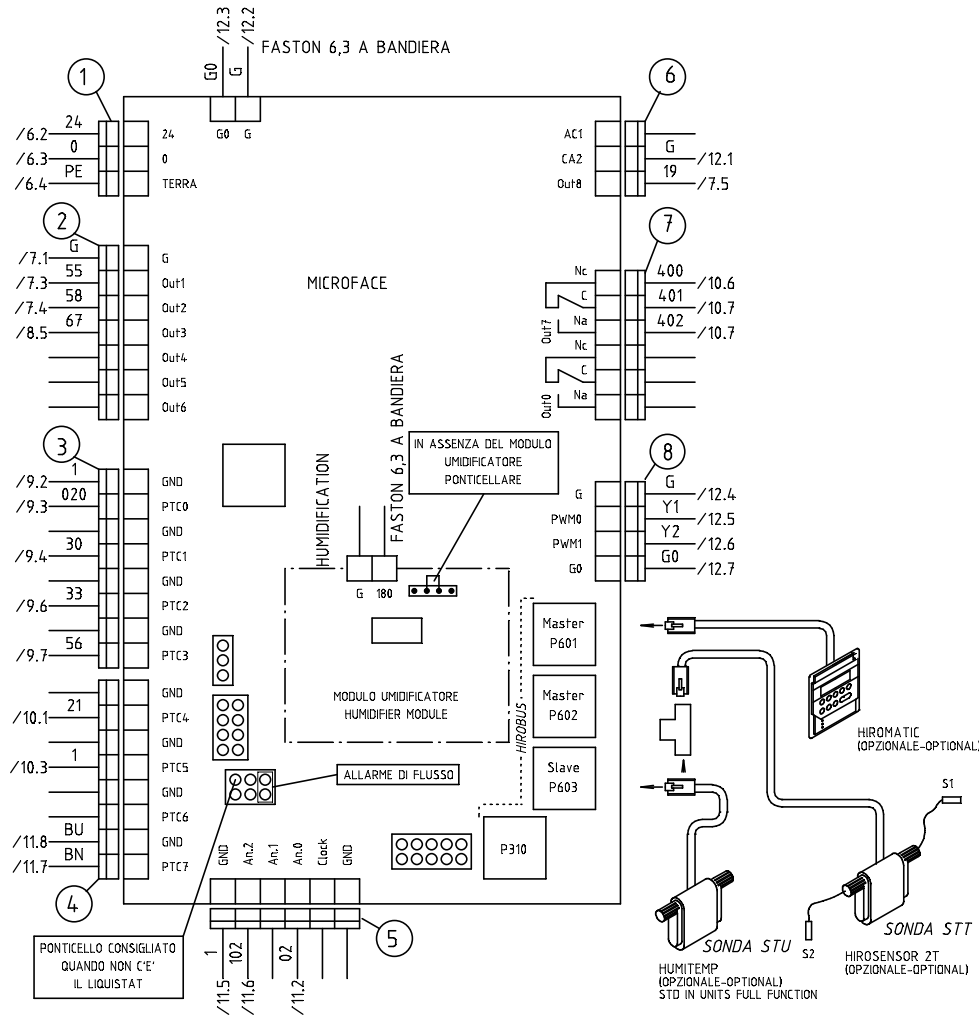
B

C

D

E

F



N.B. CONNETTORI 1-8-6 4 VIE  
ZETRONIC COD. 94535/9104  
CONNETTORI 2-3-4-5-7 8 VIE  
ZETRONIC COD. 94535/9108

CON I FUSIBILI ALLEGARE 10 FASTON  
94518/0201

CONNETTORE N° 5 6 VIE RICAIVATO  
DA UNO A 8 VIE

TERMINALE FASTON 94518/0201

c		Date	14.10.1999	<b>HIROSS</b> S.p.A.	Wiring diagram name	Code	F	400 Vac	50 Hz		
b		Signature	G.G.		CD0105E01-F	317805					
a		Contr.	G.G.				TYPE:	CP/HIMOD20-24DX	File:	317805	3 Layout
Modification	Date	Date	Norm.	EN60204-1	Replaced for:	Replaced by:	Origin:			Sheet 15 of 20	Contin. 16

1

2

3

4

5

6

7

8

A

B

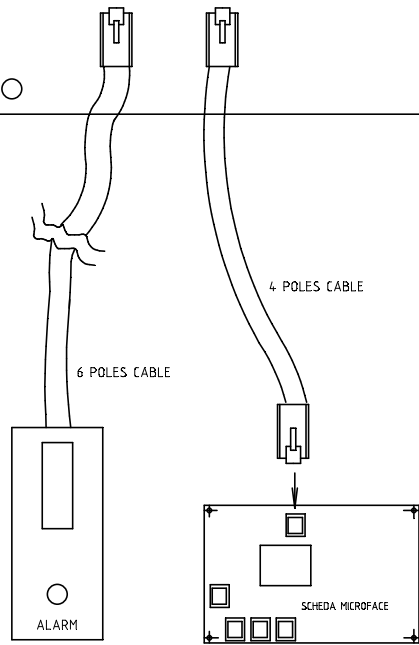
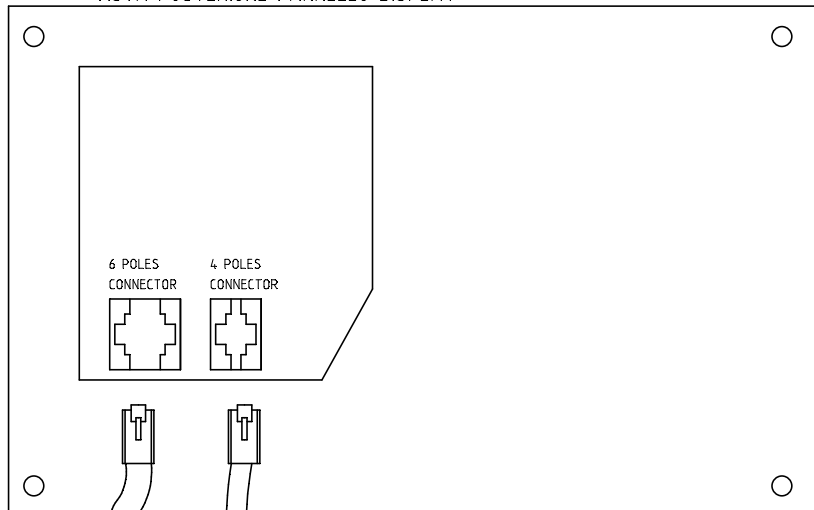
C

D

E

F

LCD DISPLAY PANEL REAR VIEW  
VISTA POSTERIORE PANNELLO DISPLAY



c			Date	14.10.1999	<b>HIROSS</b> S.p.A.	Wiring diagram name	Code	F	400 Vac	50 Hz		
b			Signature			CD0105E01-F	317805					
a			Contr.	G.G.								
	Modification	Date	Date	Norm.	EN60204-1	Replaced for:	Replaced by:	Origin:	CP/HIMOD20-24DX	File:	317805	3 Layout
											Sheet 16 of 20	Contin. 17



1

2

3

4

5

6

7

8

A

B

C

D

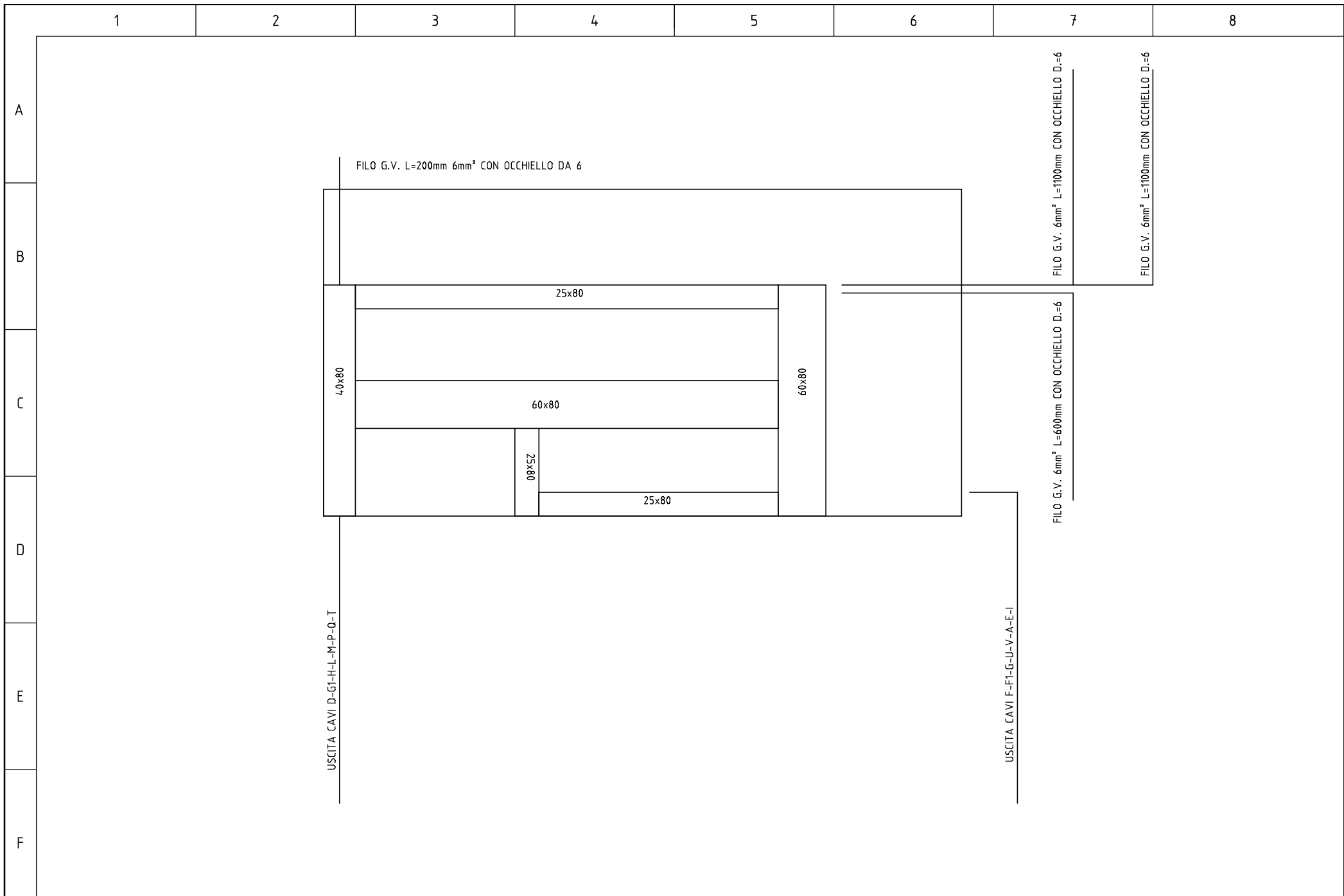
E

F

	UTENZA	NUMERO	LUNGHEZZA CAVI	TERMIN.	CAVO TIPO NPI
A	COMPRESSORE	UVW.3+PE	4X2.5mm <sup>2</sup> L=2800mm	1 OCCHIELLO#5	3X2.5mm <sup>2</sup> +T CAVO DA COMM.
D	ELETTROV. FREON	58-G	2X1 mm <sup>2</sup> L=2800mm		CAVO TIPO NPI
E	HIGH PRESS. P_STAT	055-57-56	3x1 mm <sup>2</sup> L=2900mm		CAVO TIPO NPI
F					
G	TRASFORMATORE	R3-R4-R20-PE S3-S4-S20 T3-T4-G0-G1	3X1.5mm <sup>2</sup> L=980mm +PE 3X1.5mm <sup>2</sup> L=880mm+PE 4X1.5mm <sup>2</sup> L=780mm+PE NUMERARE CON ANELLI	1 OCCHIELLO#5 PER TERRA PUNTALI	IN CALZA
G1					
H					
I	RESIST. CARTER	RS.20+T	3x1.5mm <sup>2</sup> L=2800mm	PUNTALI	2X1.5mm <sup>2</sup> +T NPI CAVO DA COMMERCIO
L	LOW PRESS. P_STAT	1-21	2x1 mm <sup>2</sup> L=2900mm		CAVO TIPO NPI
M					
P	VENTILATORE 1	UVW.1+PE	3x1.5mm <sup>2</sup> L=2800mm+PE	PUNTALI	3X1.5mm <sup>2</sup> +T NPI CAVO DA COMMERCIO
Q					
Q	KLIXON VENTILATORE 1	054-G1	2 x 1mm <sup>2</sup> L=2800mm	PUNTALI	2X1mm <sup>2</sup> NPI CAVO DA COMMERCIO
R					
S					
T					
U	PSV1	1-02	2 x 1mm <sup>2</sup> L=900mm	FORCINA	

ALLUNGARE I CAVI DI TERRA CHE ARRIVANO ALLA SBARRA DI TERRA DI 20CM

c		Date	14.10.1999	<b>HIROSS</b> S.p.A.	Wiring diagram name	Code	F	400 Vac	50 Hz					
b		Signature	G.A.		CD0105E01-F	317805								
a		Contr.	G.G.											
Modification	Date	Date	Norm.	EN60204-1	Replaced for:	Replaced by:	Origin:	CP/HIMOD20-24DX	File:	317805	3 Layout	Sheet 17 of 20	Contin.	18



c		Date	14.10.1999		Wiring diagram name	Code	F	400 Vac	50 Hz	
b		Signature	G.A.		CD0105E01-F	317805				
a		Contr.	G.G.		S.p.A.					
Modification	Date	Date	Norm.	EN60204-1	Replaced for:	Replaced by:	Origin:	CP/HIMOD20-24DX	File:	317805
										3 Layout
										Sheet 18 of 20
										Contin.

1		2		3		4		5		6		7		8		
QUANTITY	ARTICLE CODE	DESCRIPTION				TECHNICAL DATA				CATALOGUE NO.	IDENTIFIER	RE.	MANUFACTURER	Code		
A	23	MICROFACE									-A1	/15.3				
		ALARM RETURN CARD									-A2	/13.3				
		ALARM RETURN CARD									-A3	/13.3				
		RETIMING CONDENSER									-C2	/3.3				
		RETIMING CONDENSER									-C3	/4.3				
B		CLOGGED FILTER ALARM									-CF	/9.6				
		CRANKCASE HEATER									-EH3	/4.6				
		VALVOLA GAS CALDO MODULANTE 0-10Vcc									-HGVM	/12.5				
		HIGH PRESSURE PRESSURE SWITCH									-HP	/7.2				
		HOT WATER VALVE									-HWV	/8.2				
C		HOT WATER VALVE 0-10 V dc									-HWVM	/12.7				
		UNITA' CONDENSANTE									-M1	/3.6				
		AIR FLOW SENSOR									-PSV1	/11.2				
		AIR TEMPERATURE SENSOR									-RT1	/11.7				
		REMOTE ON/OFF									-S1	/9.3				
D		USER 1 INPUT									-S2	/9.4				
		COMP. DELIVERY SAFETY T-STAT									-TSC	/7.3				
		FREON SOLENOID VALVE									-YV1	/7.4				
		HOT GAS SOLENOID VALVE									-YV5	/8.3				
		FAN 1									-EV1	/4.4				
E		FAN 1 INNER KLIXON									-FR1	/7.5				
		LOW PRESSURE PRESSURE SWITCH									-LP	/10.1				
		COMPRESSOR									-M3	/3.4				
	1	HS05.11	FAN 1 CONTACTOR				HS05.11 1NA+1NC				910-393-082	-KM1	/7.5	AEG		
	1	LWD	SENSORE ALLAGAMENTO				LWD					-R	/11.5	HIROSS	275180	
F	1	MKPC44/2	ANTI-NOISE FILTER				MKPC44/2				MKPC44/2	-C5	/5.4	ARCOTRONICS	254324	
	1	MKT1-43	ANTI-NOISE FILTER				MKT1-43				0,5microF 100ohm	-SSF	/7.2	ARCOTRONIC	254656	
	1	SF520263	AUXILIARY FUSE 24 V				6.3A F				SF520263	-FU1	/5.4	OMEGA	254773	
	1	TK63 4P	MAIN SWITCH				63A 4 POLI				19113SM	-QS	/3.2	TECHNOELECTRIC	256403	
	1	51AT40J	FAN/S SELF-TRANSFORMER				3,3KVA				51AT40J	-TM	/4.4	MARINI	256298	
F	1	51TM2VM	TRANSFORMER				160VA				51TM2VM	-TC	/5.4	MARINI	255769	
	1	115 131.06+F6,3F	AUXILIARY FUSE 24 V				M4/8.SF GRIGIO				115 131.06	-FU1	/5.4	ENTRELEC	255716	
	1	831-820-676	TRANSF. AUTOMATIC SWITCH				6A 6KA				E82 C 6	-QF8	/5.2	AEG	255048	
	1	831-820-678	CONDENSING UNIT AUTOMATIC SWITCH				10A 6KA				E82 C 10	-QF9	/3.6	AEG	255067	

c		Date	14.10.1999	<b>HIROSS</b> S.p.A.				Wiring diagram name	Code	F 400 Vac 50 Hz					
b		Signature	T.A.					CD0105E01-F				317805			
a		Contr.	G.G.	Replaced for:				Origin:	TYPE: CP/HIM0020-24DX				File: 317805	4. Lista componenti Sheet 19 of 20	
Modification	Date	Date	Norm.	EN60204-1	Replaced by:	Replaced by:	Origin:					File: 317805	Contin. 20		

	1	2	3	4	5	6	7	8	
	QUANTITY	ARTICLE CODE	DESCRIPTION	TECHNICAL DATA	CATALOGUE NO.	IDENTIFIER	RE.	MANUFACTURER	Code
A	1	831-830-490	COMPRESSOR AUTOMATIC SWITCH	16A 6KA	E83 D16	-QF3	/3.4	AEG	
	1	831-830-676	FAN AUTOM. SWITCH	6A 6KA	E83 C6	-QF1	/4.4	AEG	255072
	1	910-302-503-55	COMPRESSOR CONTACTOR	24V AC 50-60, 1NA	LS7.10	-KM3	/7.2	AEG	256038
	1	910-303-001-55-4AUS	FAN 1 CONTACTOR	24V AC 50-60, 2NA+2NC	LS05.10	-KM1	/7.5	AEG	256026
	1	19501	MAIN SWITCH	19501	19501	-QS	/3.2	TECHNOELECTRIC	
B	1	19535-100	MAIN SWITCH	19535-100	19535-100	-QS	/3.2	TECHNOELECTRIC	
C									
D									
E									
F									