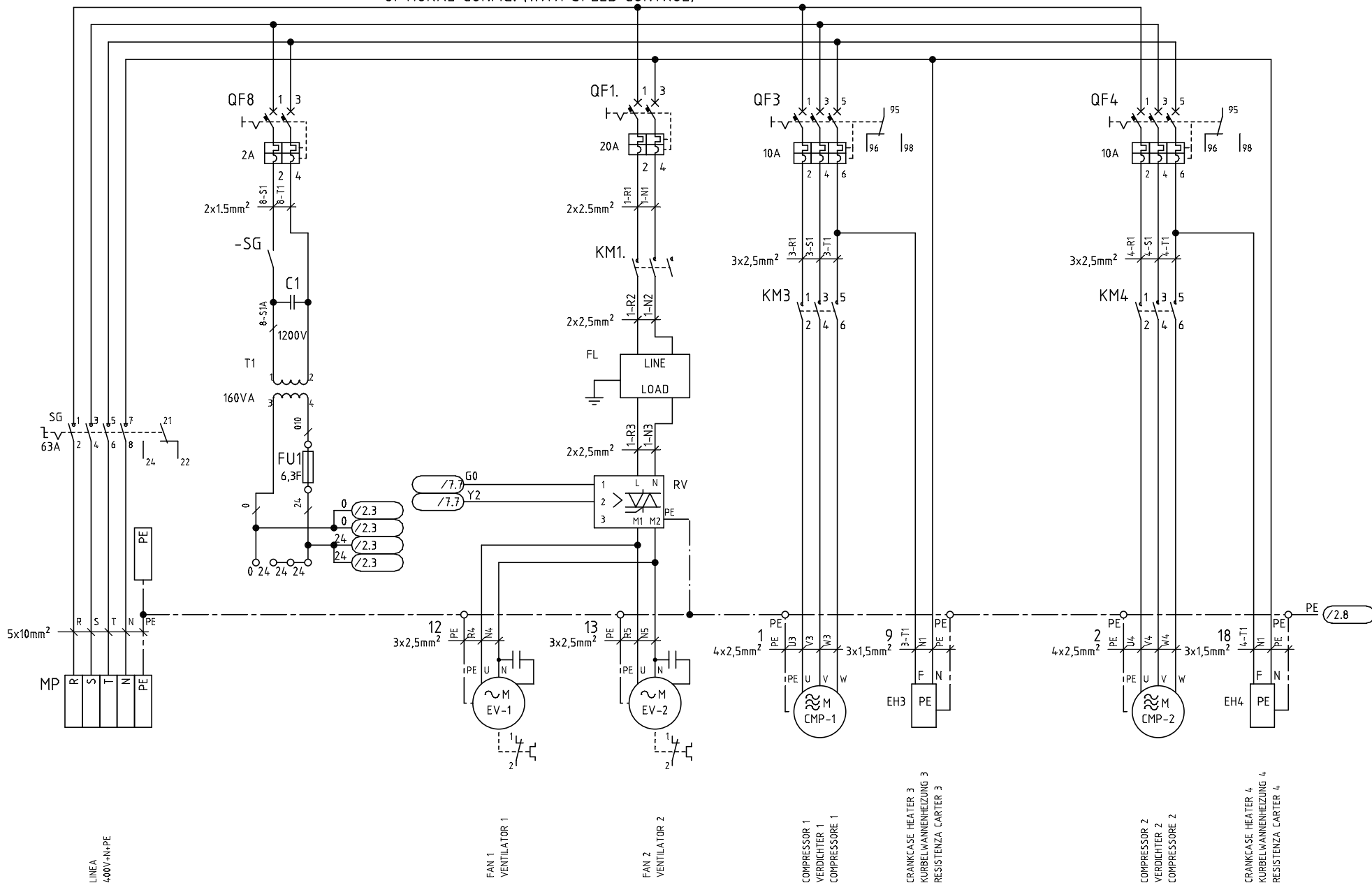
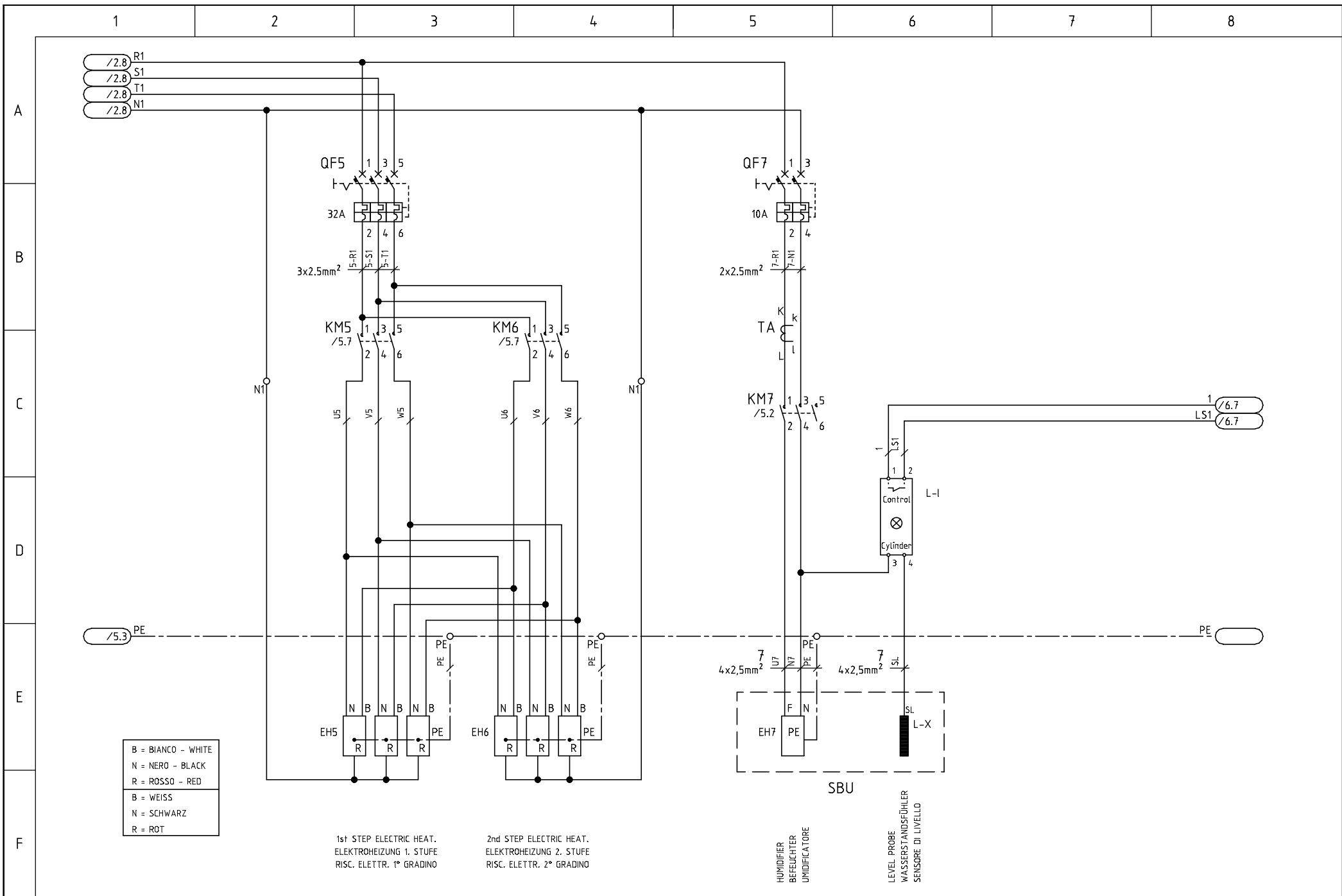


c	Date	20.09.2001	Wiring diagram name	Code	DX5-L/G	400 Vac	50 Hz	
b	Globale	13/01/2001	Signature	317832	TYPE:			WIRING DIAGRAM
a	Modification	Date	Contr.	EN60204-1	HIFLEX-5 F+C+H			1 WIRING DIAGRAM
	Replaced for:	Replaced by:	Origin:		File: cn115e4h			Sheet 2 of 24
								Continue 3

PAGINA OPZIONALE (CON REGOLATORE DI VELOCITA')  
 OPTIONAL CONFIG. (WITH SPEED CONTROL)



c	Date	20.09.2001	Wiring diagram name		Code	DX5-L/G	400 Vac	50 Hz	
b	Signature	A.E.	CN1105E04H		317832				WIRING DIAGRAM
a	Contr.	S.M.				TYPE:	HIFLEX-5 F+C+H	File: cn115e4h	1 WIRING DIAGRAM
Modification	Date	Date	Norm.	EN60204-1	Replaced for:	Replaced by:	Origin:		Sheet 3 of 24 Continue 4



c		Date	20.09.2001	Wiring diagram name	Code	DX5-L/G	400 Vac	50 Hz	
b	Globale	13/01/2001	A.E.	Signature	A.E.				WIRING DIAGRAM
a				Contr.	S.M.				1 WIRING DIAGRAM
	Modification	Date	Date	Norm.	EN60204-1	Replaced for:	Replaced by:	Origin:	Sheet 4 of 24
									Continue 5

317832

317832

DX5-L/G

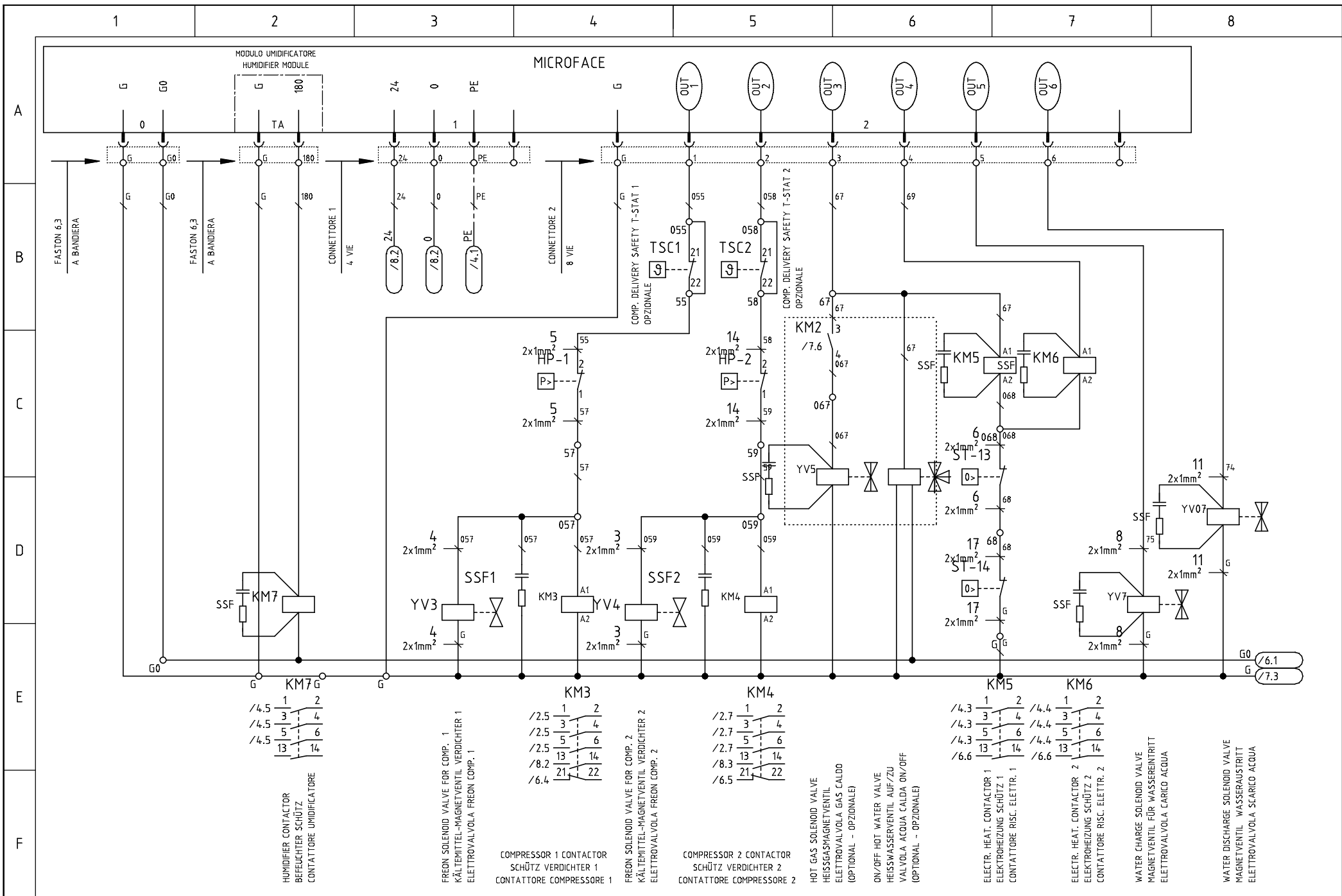
TYPE:

HIFLEX-5 F+C+H

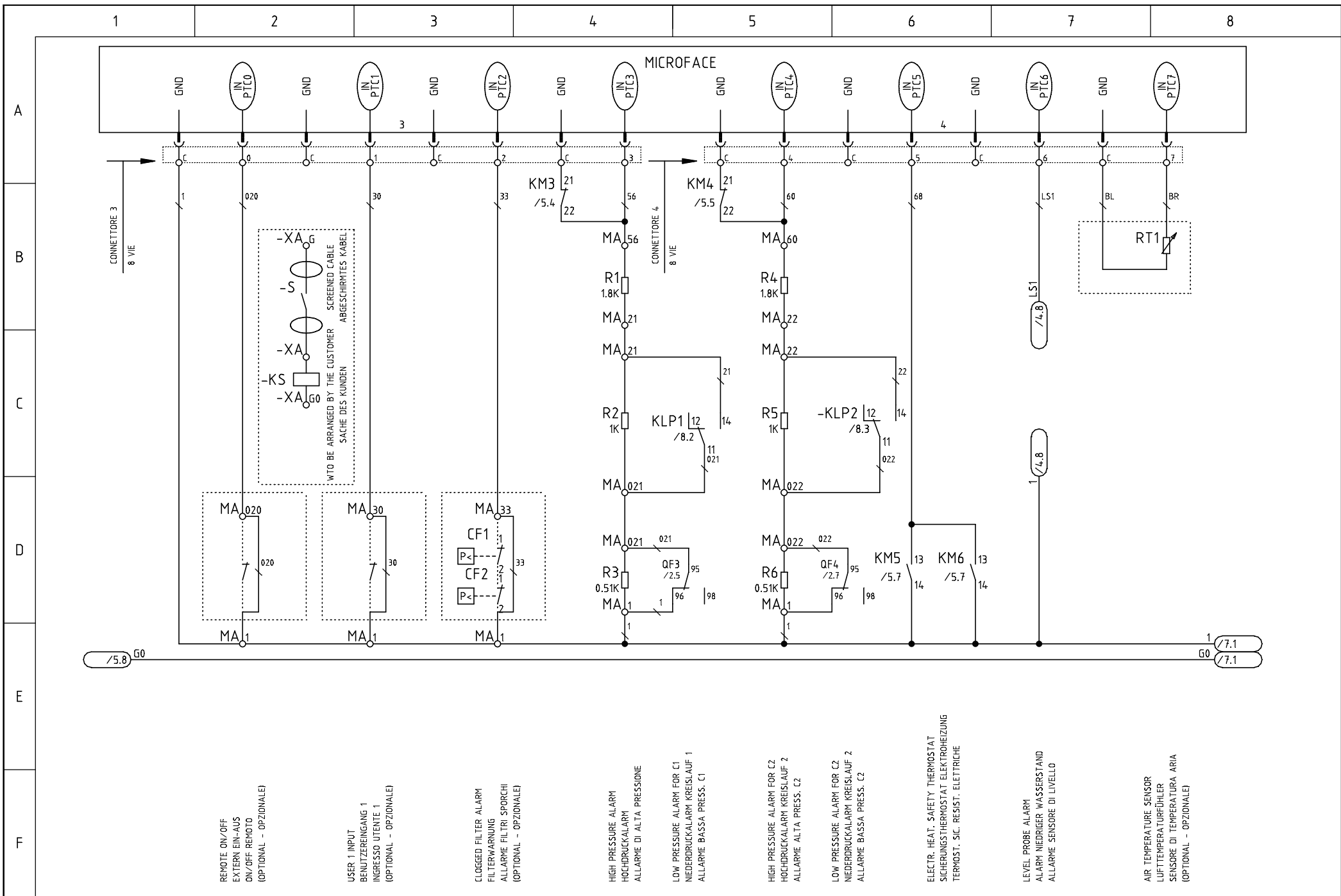
File: cn115e4h

Sheet 4 of 24

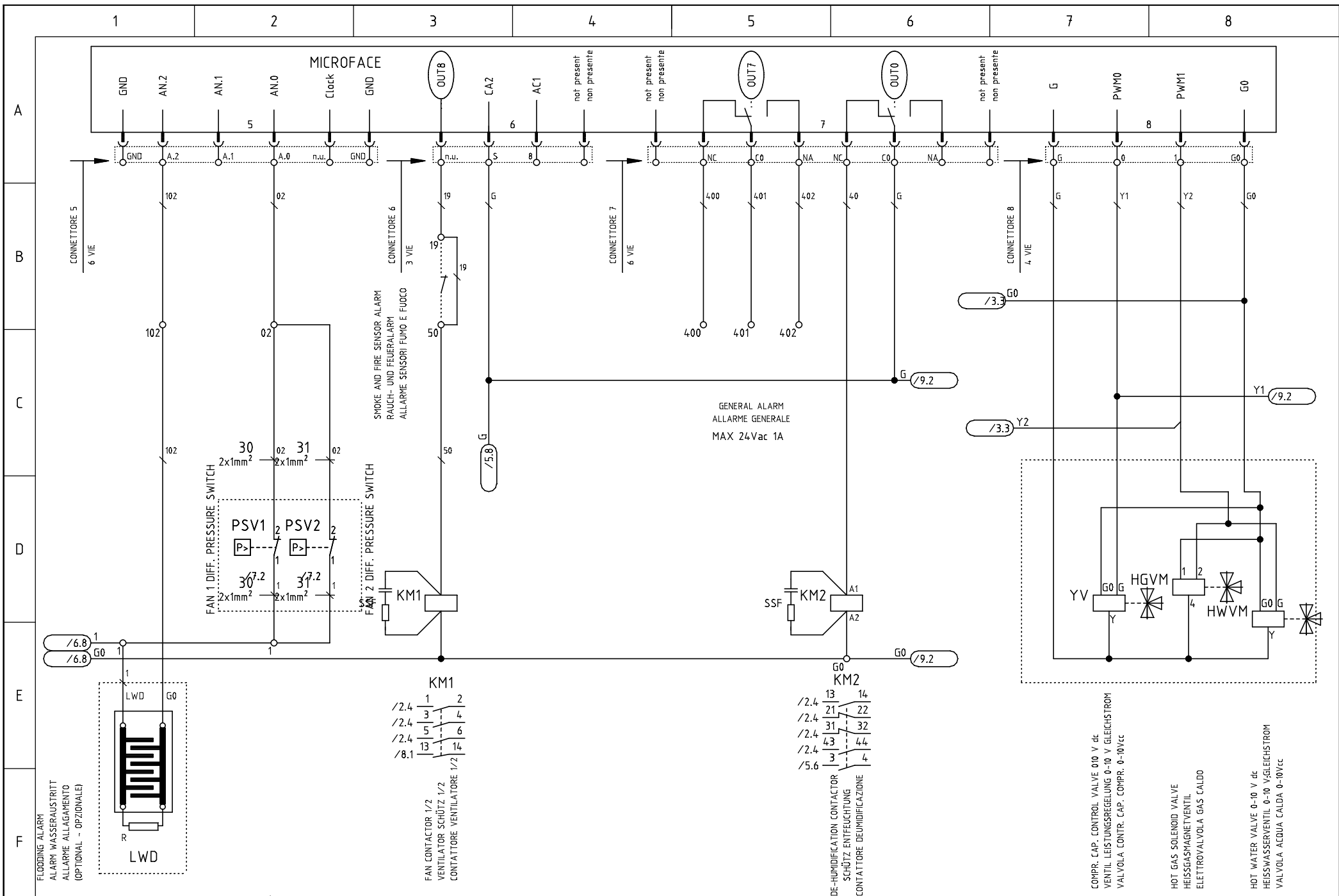
Continue 5



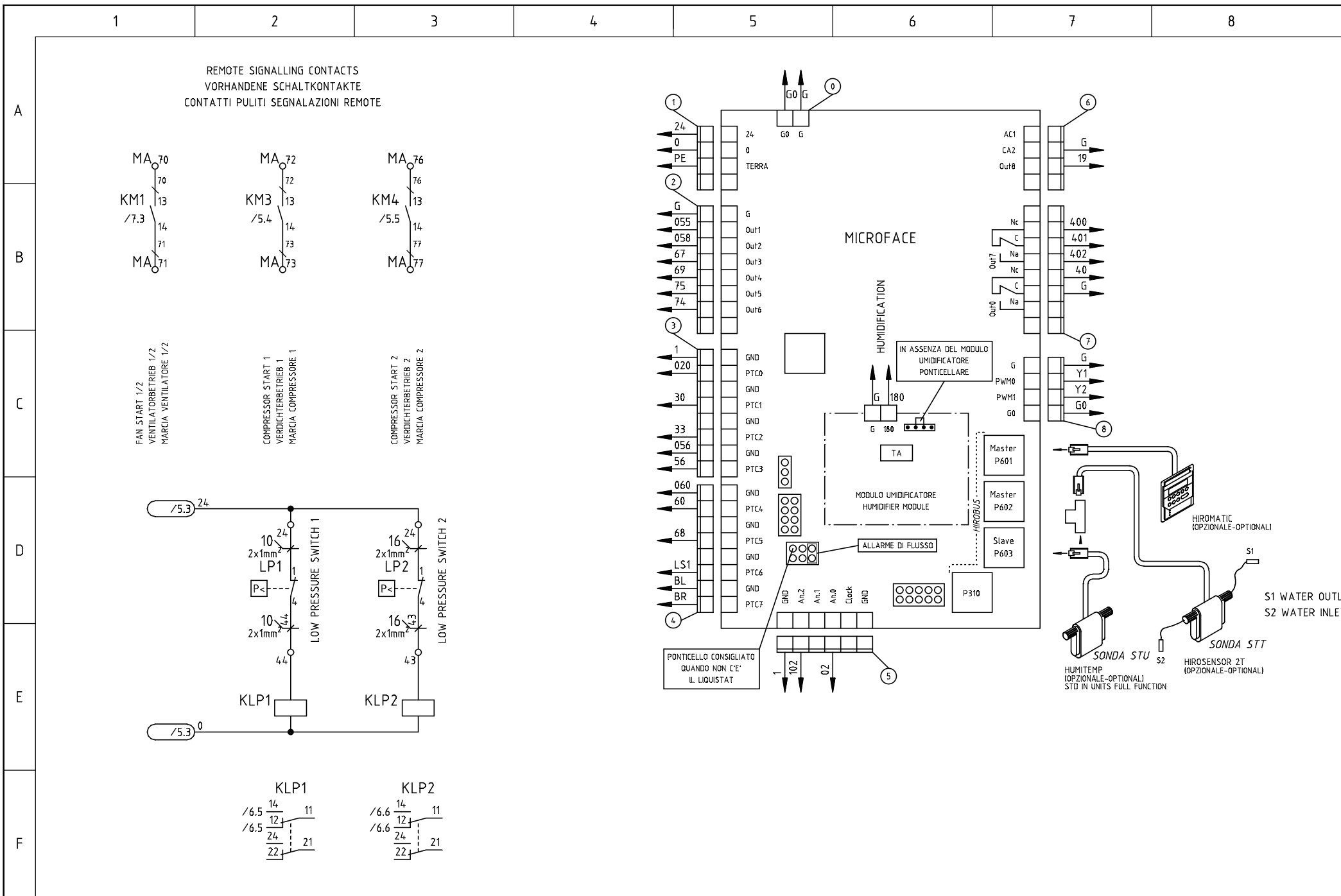
c	Date	20.09.2001	Wiring diagram name	Code	DX5-L/G	400 Vac	50 Hz	
b	Globale	13/01/2001	Signature	317832	TYPE: HIFLEX-5 F+C+H			1 WIRING DIAGRAM
a	Modification	Date	Contr.	Origin:	File: cn115e4h			Sheet 5 of 24
			Norm.					Continue 6



c	Date	20.09.2001	Wiring diagram name	Code	DX5-L/G	400 Vac	50 Hz	
b	Globale	13/01/2001	Signature	317832	TYPE:			WIRING DIAGRAM
a			Contr.		HIFLEX-5 F+C+H			1 WIRING DIAGRAM
	Modification	Date	Norm.	Replaced for:	Replaced by:	Origin:	File: cn115e4h	Sheet 6 of 24

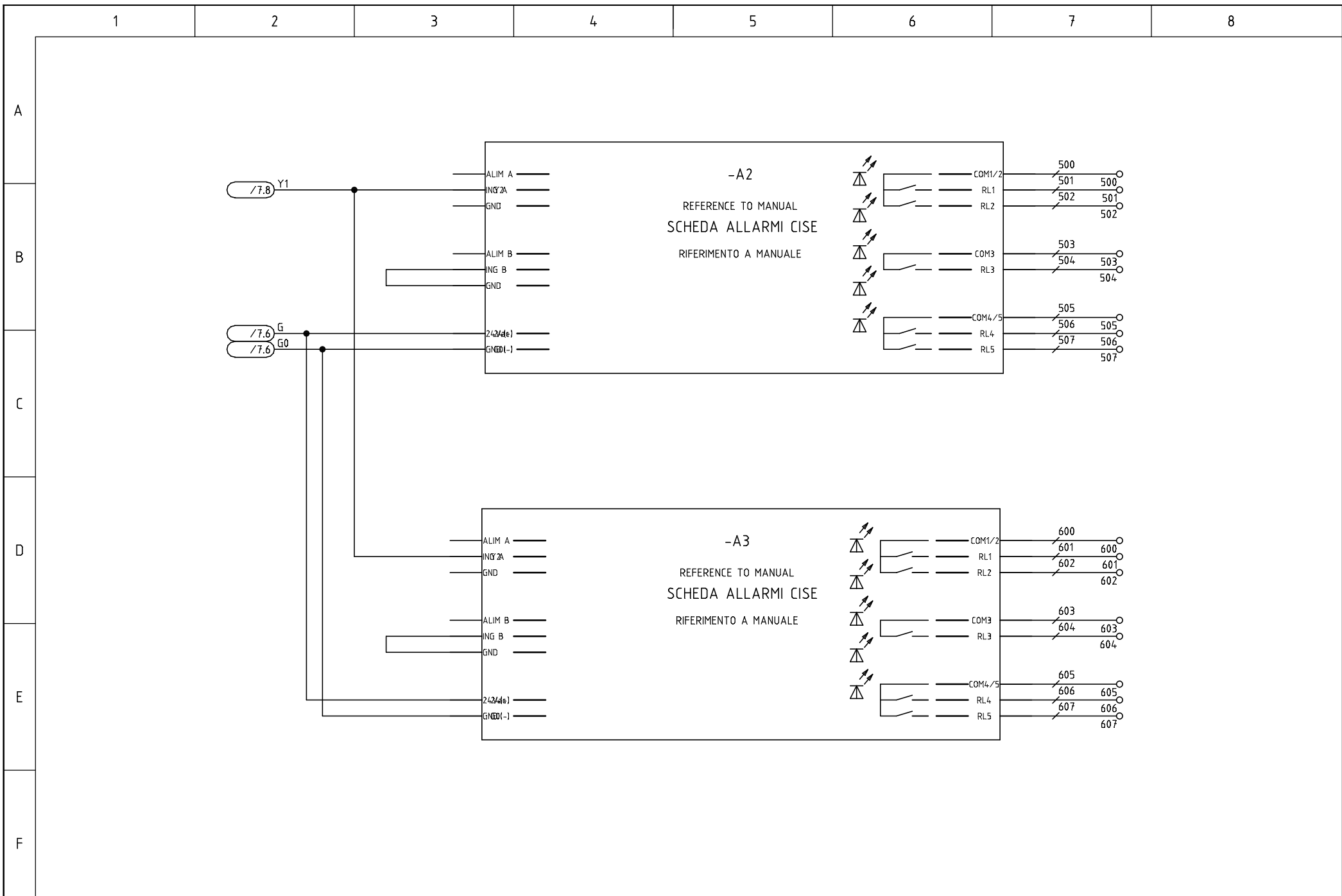


c	Date	20.09.2001	Wiring diagram name	Code	DX5-L/G	400 Vac	50 Hz	
b	Globale	13/01/2001	Signature	A.E.				WIRING DIAGRAM
a	Modification	Date	Contr.	S.M.	TYPE:	HIFLEX-5 F+C+H	File: cn115e4h	1 WIRING DIAGRAM
			Norm.	EN60204-1				Sheet 7 of 24
			Replaced for:		Origin:			Continue 8



c		Date	20.09.2001	Wiring diagram name	Code	DX5-L/G	400 Vac	50 Hz	
b	Globale	13/01/2000	A.E.	Signature	A.E.	1 WIRING DIAGRAM			
a				Contr.	S.M.	TYPE:	HIFLEX-5 F+C+H	File:	cn115e4h
	Modification	Date	Date	Norm.	EN60204-1	Sheet	8 of 24	Continue	9





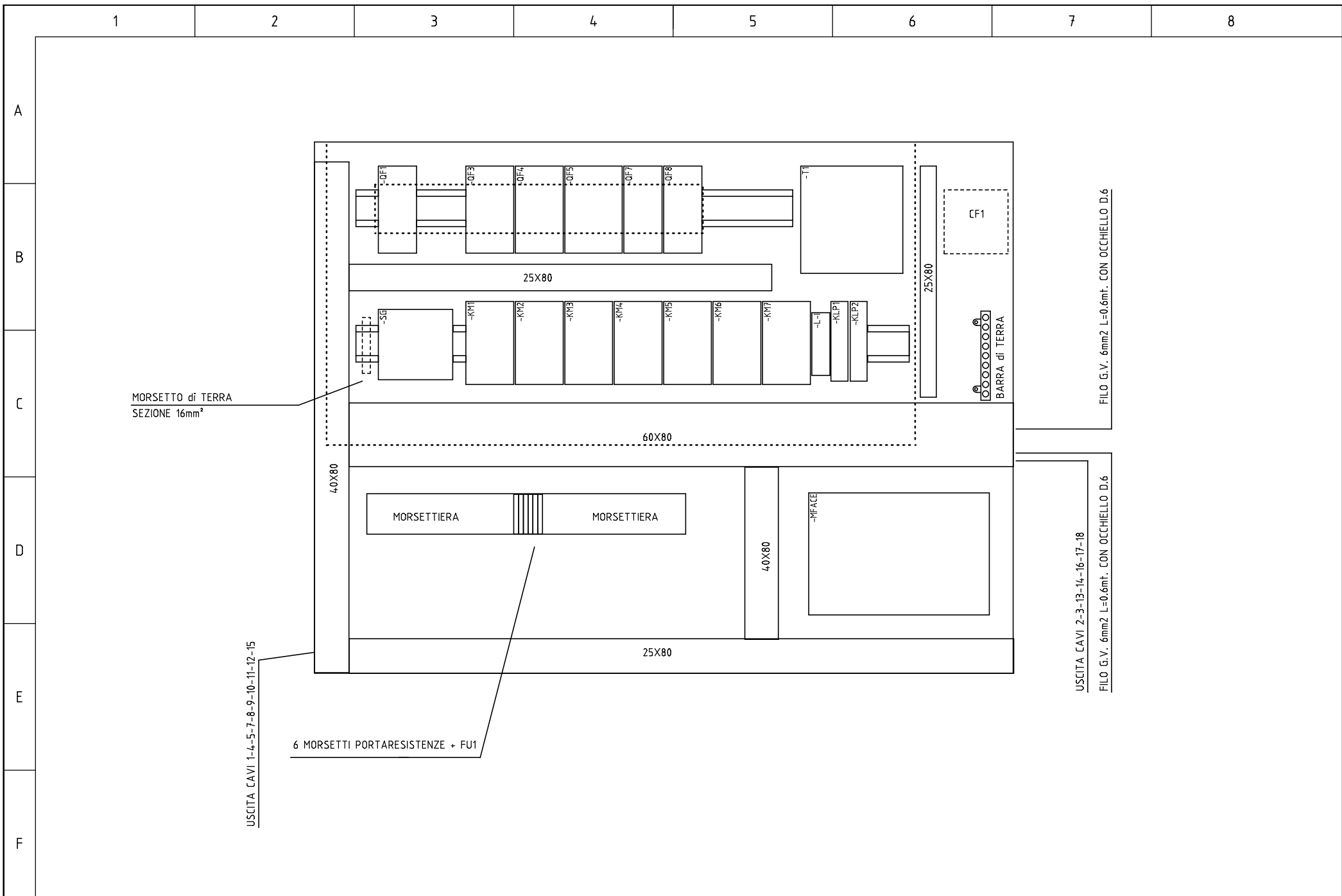
c		Date	20.09.2001	Wiring diagram name	Code	DX5-L/G	400 Vac	50 Hz	
b	Globale	13/01/2000	A.E.	Signature	A.E.				WIRING DIAGRAM
a				Contr.	S.M.				1 WIRING DIAGRAM
	Modification	Date	Date	Norm.	EN60204-1	Replaced for:	Replaced by:	Origin:	Sheet 9 of 24
						File: cn115e4h	Continue		

Wiring diagram name  
**CN1105E04H**

Code  
317832

TYPE:  
HIFLEX-5 F+C+H

Sheet 9 of 24



c		Date	20.09.2001	Wiring diagram name	Code	DX5-L/G	400 Vac	50 Hz	
b	Globale	13/01/2000	A.E.	Signature	A.E.				WIRING DIAGRAM
a				Contr.	S.M.				2 LAYOUT
	Modification	Date	Date	Norm.	EN60204-1	Replaced for:	Replaced by:	Origin:	Sheet 10 of 24
						Code	317832	File: cn115e4h	Continue 11
						TYPE:	HIFLEX-5 F+C+H		

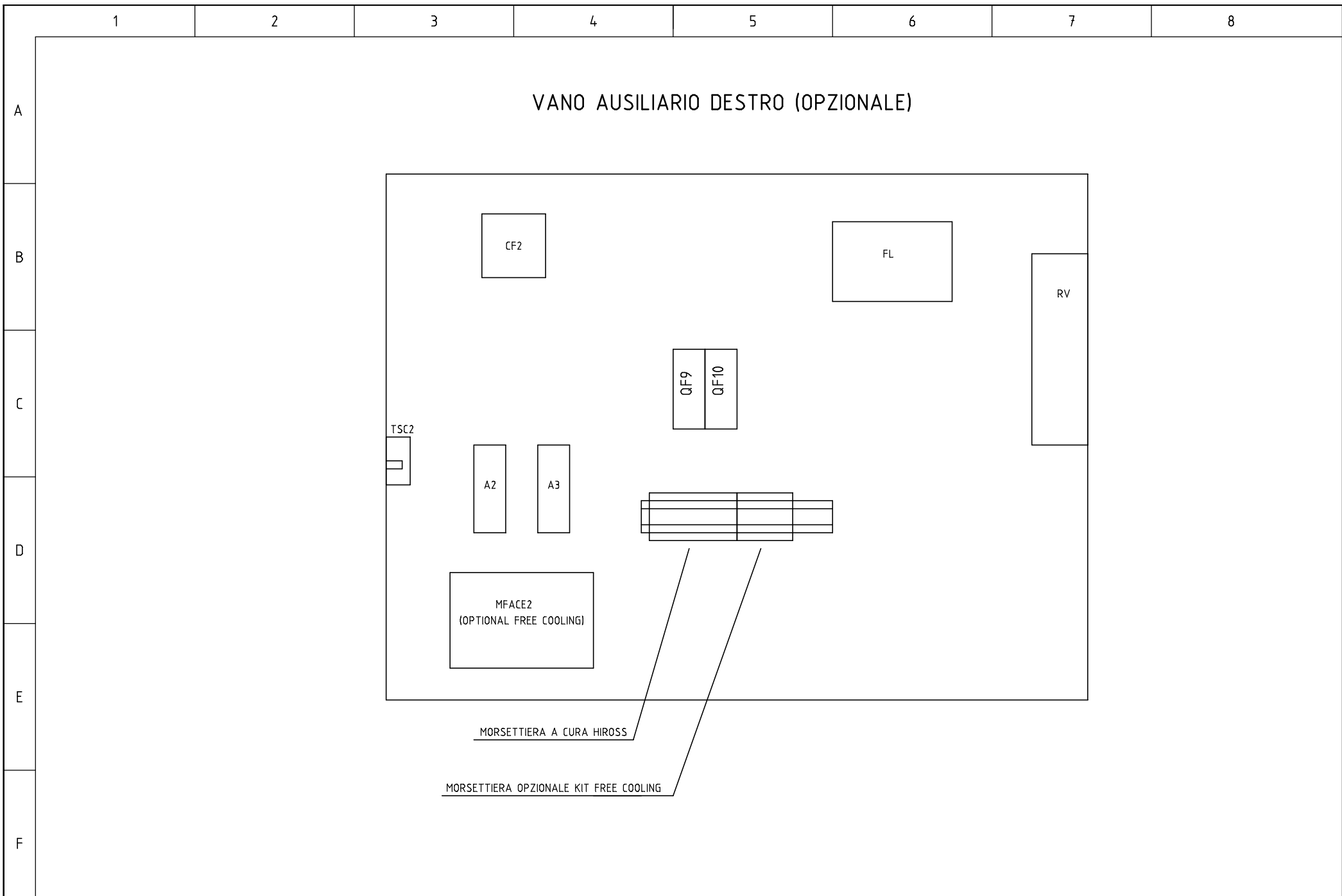
CN1105E04H

WIRING DIAGRAM

2 LAYOUT

Sheet 10 of 24

Continue 11



c			Date	20.09.2001	Wiring diagram name	Code	317832	DX5-L/G	400 Vac	50 Hz			
b	Globale	13/01/2000	A.E.	Signature	A.E.	<b>CN1105E04H</b>		WIRING DIAGRAM					
a			Contr.	S.M.	TYPE:			HIFLEX-5 F+C+H		File: cn115e4h	2 LAYOUT		
	Modification	Date	Date	Norm.	EN60204-1	Replaced for:	Replaced by:	Origin:				Sheet 11 of 24	Continue

1		2		3		4		5		6		7		8	
QUANTITY	ARTICLE CODE	DESCRIPTION				TECHNICAL DATA		CATALOGUE NO.	IDENTIFIER	RE.	MANUFACTURER	Code			
A	3	E81H					1NANC		E81H	-QF3	/1.5	AEG			
							1NANC		E81H	-QF3.	/1A.5	AEG			
							1NANC		E81H	-QF4	/1.7	AEG			
	2	G60-H1076-400	PRESSOSTATO DI BASSA 1		Taratura 2-2,8Bar					-LP1	/6.2	RANCO	354168		
			PRESSOSTATO DI BASSA 2		Taratura 2-2,8Bar					-LP2	/6.3	RANCO	354168		
B	1	HS17.10					1NO		HS17.10	-KM2	/5.6	AEG	255628		
	1	LWD					LWD			-R	/5.1	HIROSS	275180		
	1	MKPC44/2					MKPC44/2		MKPC44/2	-C1	/1.2	ARCOTRONICS	254324		
	10	MKT1-43					MKT1-43		0,5microF 100ohm	-KM1	/5.3	ARCOTRONIC	254656		
							MKT1-43		0,5microF 100ohm	-KM2	/5.6	ARCOTRONIC	254656		
							MKT1-43		0,5microF 100ohm	-KM5	/3.7	ARCOTRONIC	254656		
C							MKT1-43		0,5microF 100ohm	-KM6	/3.7	ARCOTRONIC	254656		
							MKT1-43		0,5microF 100ohm	-KM7	/3.2	ARCOTRONIC	254656		
							MKT1-43		0,5microF 100ohm	-SSF1	/3.4	ARCOTRONIC	254656		
							MKT1-43		0,5microF 100ohm	-SSF2	/3.5	ARCOTRONIC	254656		
							MKT1-43		0,5microF 100ohm	-YV5	/3.6	ARCOTRONIC	254656		
							MKT1-43		0,5microF 100ohm	-YV7	/3.7	ARCOTRONIC	254656		
D							MKT1-43		0,5microF 100ohm	-YV07	/3.8	ARCOTRONIC	254656		
	2	TK80 4P+AUS					80A 4 POLI		19114SM	-SG	/1.1	TECHNOELECTRIC	255043		
							80A 4 POLI		19114SM	-SG.	/1A.1	TECHNOELECTRIC	255043		
	1	VRM120/22 CE 20A					VRM120/22 CE 20A		VRM120/22 CE 20A	-RV	/1A.4	SELPRO	354435		
	2	ZOCOLO X 40.52					95.85.1		95.85.1	-KLP1	/6.2	FINDER			
E							95.85.1		95.85.1	-KLP2	/6.3	FINDER			
	2	1	KOMPRESSOR 1							-CMP-1	/1.5				
			KOMPRESSOR 1							-CMP-2	/1.7				
	2	2	VENTILATOR 1							-EV-1	/1.3				
			VENTILATOR 2							-EV-2	/1.4				
	2	3								-EH3	/1.6				
										-EH4	/1.8				
F										-EH5	/2.2				
										-EH6	/2.3				
	1	5	SENSORE DI LIVELLO							-L-I	/2.6				
	1	6	SL							-L-X	/2.6				
										-HGVM	/5.8				

c	Date	20.09.2001	Wiring diagram name		Code	DX5-L/G	400 Vac	50 Hz	COMPONENT LIST				
b	Signature	A.E.	CN1105E04H		317832								
a	Contr.	S.M.											
Modification	Date	Date	Norm.	EN60204-1	Replaced for:	Replaced by:	Origin:	TYPE:	HIFLEX-5 F+C+H	File: cn115e4h	3 COMPONENT LIST	Sheet 12 of 24	Continue 13

1		2		3		4		5		6		7		8		
QUANTITY	ARTICLE CODE	DESCRIPTION				TECHNICAL DATA		CATALOGUE NO.	IDENTIFIER	RE.	MANUFACTURER	Code				
A	1	9								-YV	/5.7					
	1	10								-HWVM	/5.8					
	2	14								-R2	/4.4					
										-R5	/4.5					
	2	15								-R1	/4.4					
										-R4	/4.5					
B	2	16								-R3	/4.4					
										-R6	/4.5					
	1	17								-RT1	/4.8					
	1	22								-EH7	/2.5					
	2	40.52 8 024 5300					40.52 24Vac contatti dorati (o equivalente)		40.52 8 024 5300	-KLP1	/6.2	FINDER				
							40.52 24Vac contatti dorati (o equivalente)		40.52 8 024 5300	-KLP2	/6.3	FINDER				
	2	51TM2VM	TRANSFORMATOR		160VA		51TM2VM		-T1	/1.2	MARINI	255769				
			TRASFORMATORE		160VA		51TM2VM		-T1.	/1A.2	MARINI	255769				
C	2	831-820-673					2A 6KA		E82 C 2A	-QF8	/1.2	AEG				
							2A 6KA		E82 C 2A	-QF8.	/1A.2	AEG				
	2	831-820-678					10A 6KA		E82 C 10	-QF1	/1.4	AEG	255067			
							10A 6KA		E82 C 10	-QF7	/2.5	AEG	255067			
	1	831-820-681					20A 6KA		E82 C 20	-QF1.	/1A.4	AEG	256402			
D	3	831-830-678					10A 6KA		E83 C10	-QF3	/1.5	AEG	255073			
							10A 6KA		E83 C10	-QF3.	/1A.5	AEG	255073			
							10A 6KA		E83 C10	-QF4	/1.7	AEG	255073			
	1	831-830-683					32A 6KA		E83 C32	-QF5	/2.3	AEG	255050			
	1	910-302-545-55					24V AC, 2NA+2NC		SH4.22	-KM2	/5.6	AEG	256096			
	2	910-302-503-55					24V AC, 1NA		LS7.10	-KM5	/3.7	AEG	256038			
							24V AC, 1NA		LS7.10	-KM6	/3.7	AEG	256038			
E	2	910-302-530-55					24V AC, 1NA+1NC		LS7.11	-KM3	/3.4	AEG				
							24V AC, 1NA+1NC		LS7.11	-KM4	/3.5	AEG				
	1	910-302-623-55					24V AC, 1NA		LS4.10	-KM7	/3.2	AEG	255585			
	1	910-303-001-85					24V AC, 1NA		LS05.10	-KM1	/5.3	AEG				
	2	19501					19501		19501	-SG	/1.1	TECHNOELECTRIC				
							19501		19501	-SG.	/1A.1	TECHNOELECTRIC				
F	2	19516					19516		19516	-SG	/1.1	TECHNOELECTRIC	256053			
							19516		19516	-SG.	/1A.1	TECHNOELECTRIC	256053			

c	Date	20.09.2001	Wiring diagram name		Code	DX5-L/G	400 Vac	50 Hz	COMPONENT LIST				
b	Signature	A.E.	CN1105E04H		317832								
a	Contr.	S.M.				TYPE: HIFLEX-5 F+C+H			File: cn115e4h	3 COMPONENT LIST			
Modification	Date	Date	Norm.	EN60204-1	Replaced for:	Replaced by:	Origin:	Sheet 13 of 24					Continue 14

1		2		3		4		5		6		7		8			
QUANTITY	ARTICLE CODE	DESCRIPTION				TECHNICAL DATA				CATALOGUE NO.	IDENTIFIER	RE.	MANUFACTURER	Code			
A	2	19535-100					19535-100				19535-100	-SG	/1.1	TECHNOELECTRIC			
							19535-100				19535-100	-SG.	/1A.1	TECHNOELECTRIC			
	1	275097	MICROFACE									-MFACE	/3.1				
B																	
C																	
D																	
E																	
F																	
c		Date		20.09.2001		Wiring diagram name				Code		DX5-L/G		400 Vac 50 Hz		COMPONENT LIST	
b		Signature		A.E.		CN1105E04H				317832							
a		Contr.		S.M.													
Modification	Date	Date	Norm.	EN60204-1	Replaced for:	Replaced by:	Origin:			TYPE:		HIFLEX-5 F+C+H		File: cn115e4h		3 COMPONENT LIST Sheet 14 of 24 Continue	



F		E		D		C		B		A	
EXT dest.	EXT cables	Terminal no.	Rod bridge	Positi.	Wire bridge	INT cables	INT dest.				
	3 CAVO COMPLE NPI 2x1 mm²	1	Terminal board:-MA Terminal total: 56	/4.2			-MFACE:CN3-C				
	6 CAVO COMPLE NPI 2x1 mm²	1		/4.3			:				
	17 CAVO COMPLE NPI 2x1 mm²	1		/4.3			-CF2:2				
		1		/5.1			-RLW0				
		1		/5.2			-PSV1:1				
		02		/5.2			-PSV1:2				
		102		/5.1			-MFACE:CN5-A.2				
		G		/3.2			-MFACE:CN0-G				
		G		/3.2			:				
		G		/3.3			-KM3:AZ				
		G0		/3.1			-KM7:				
		G0		/5.6			-KM2:AZ				
		0		/1.2			-KLP1:				
		24		/1.2			:				
		24		/1.2			:				
		24		/1.2			:				
		020		/4.2			-MFACE:CN1-24				
		30		/4.3			-MFACE:CN3-0				
		33		/4.3			-MFACE:CN3-1				
		56		/4.3			-MFACE:CN3-2				
		21		/4.4			-KM3:22				
		21		/4.4			-R1:2				
		021		/4.4			-R2:1				
		021		/4.4			-R2:2				
		021		/4.4			-R3:1				
		1		/4.4			-MA:1				
		60		/4.5			-KM4:22				
		22		/4.5			-R4:2				
		22		/4.5			-R5:1				
		022		/4.5			-R5:2				
		022		/4.5			-R6:1				
		1		/4.5			-MA:1				
		55		/3.5			-HP-1:2				
		57		/3.4			-HP-1:1				
		057		/3.4			-SSF1:				
		58		/3.5			-HP-2:2				
		59		/3.5			-HP-2:1				
		059		/3.5			-KM4:A1				
		67		/3.6			:				
		067		/3.6			-KM2:3				
		068		/3.7			-KM2:4				
		68		/3.7			-KM5:AZ				
		G		/3.7			-ST-1:3:				
		400		/3.7			-ST-1:4:				
		401		/5.5			-MFACE:CN7-NC				
		402		/5.5			-MFACE:CN7-CO				
		19		/5.3			-MFACE:CN7-NA				
		50		/5.3			-MFACE:CN6-n.u.				
		70		/6.1			-KM1:				
		71		/6.1			-KM1:13				
		72		/6.1			-KM1:14				
		73		/6.2			-KM3:13				
		76		/6.3			-KM3:14				
		77		/6.3			-KM4:13				
		033		/4.3			-KM4:14				
		055		/3.5			-CF2:1				
		058		/3.5			-TSC1:21				
		058		/3.5			-TSC2:21				



		1		2		3		4		5		6		7		8	
A	INT dest.																
	INT cables																
B	Wire bridge																
	Posit.																
C	Rod bridge	Terminal board:-MP Terminal total: 9															
	Terminal no.																
D	Terminal no.																
E	EXT cables																
F	EXT dest.																
c	Date	20.09.2001		Wiring diagram name				Code		317832		DX5-L/G		400 Vac 50 Hz		TERMINAL BLOCK	
b	Signature	A.E.		CN1105E04H													
a	Contr.	S.M.															
	Modification	Date	Date	Norm.	EN60204-1	Replaced for:	Replaced by:	Origin:			TYPE: HIFLEX-5 F+C+H		File: cn115e4h		Sheet 17 of 24		Continue 18





		1	2	3	4	5	6	7	8
A	INT dest.								
	INT cables								
B	Wire bridge								
	Positi.								
C	Rod bridge	Terminal board:-XA Terminal total: 7							
	Terminal no.								
D									
E	EXT cables								
F	EXT dest.								

c	Date	20.09.2001	Wiring diagram name	Code	317832	DX5-L/G	400 Vac 50 Hz	TERMINAL BLOCK				
b	Signature	A.E.	CN1105E04H									
a	Contr.	S.M.										
Modification	Date	Date	Norm.	EN60204-1	Replaced for:	Replaced by:	Origin:	TYPE: HIFLEX-5 F+C+H	File: cn115e4h	4 TERMINAL BLOCK	Sheet 20 of 24	Continue 21

		1	2	3	4	5	6	7	8	
A	INT dest.									
	INT cables									
B	Wire bridge									
	Positi.									
C	Rod bridge	Terminal board:-XP Terminal total: 2								
	Terminal no.									
D										
E	EXT cables									
F	EXT dest.									
c	Date	20.09.2001	Wiring diagram name			Code	DX5-L/G 400 Vac 50 Hz		TERMINAL BLOCK	
b	Signature	A.E.	CN1105E04H			317832				
a	Contr.	S.M.								
Modification	Date	Date	Norm.	EN60204-1	Replaced for:	Replaced by:	Origin:	TYPE:	HIFLEX-5 F+C+H	
								File:	cn115e4h	
								4	TERMINAL BLOCK	
								Sheet 21	of 24	Continue 22

		1		2		3		4		5		6		7		8	
A	INT dest.																
B	INT cables																
C	Rod bridge																
D	Terminal no.																
E	EXT cables																
F	EXT dest.																
		500		/1.8													
		501		/1.8													
		502		/1.8													
		503		/1.8													
		504		/1.8													
		505		/1.8													
		506		/1.8													
		507		/1.8													
		600		/1.8													
		601		/1.8													
		602		/1.8													
		603		/1.8													
		604		/1.8													
		605		/1.8													
		606		/1.8													
		607		/1.8													

c	Date	20.09.2001	Wiring diagram name		Code	DX5-L/G 400 Vac 50 Hz		TERMINAL BLOCK	
b	Signature	A.E.	CN1105E04H		317832				
a	Contr.	S.M.							
Modification	Date	Date	Norm.	EN60204-1	Replaced for:	Replaced by:	Origin:	TYPE:	HIFLEX-5 F+C+H
								File:	cn115e4h
								4	TERMINAL BLOCK
								Sheet 22	of 24
								Continue	

A UTENZA	B Filo N°	C Sez. Filo	D Lunghezza in mt.	E Rif. cavo	F Colore cavo	G Sez. cavo	H Tipo di cavo	I Terminali cavo	L Riferimento
MORS. PE	PE	2,5 mm <sup>2</sup>	1,7 mt.	1	NERO	4x2,5mm <sup>2</sup>	CAVO COMM.LE	PUNTALI	=1.A/1.5
COMPRESSORE 1	U3	2,5 mm <sup>2</sup>	1,7 mt.	1	NERO	4x2,5mm <sup>2</sup>	CAVO COMM.LE	PUNTALI	=1.A/1.5
COMPRESSORE 1	V3	2,5 mm <sup>2</sup>	1,7 mt.	1	NERO	4x2,5mm <sup>2</sup>	CAVO COMM.LE	PUNTALI	=1.A/1.5
COMPRESSORE 1	W3	2,5 mm <sup>2</sup>	1,7 mt.	1	NERO	4x2,5mm <sup>2</sup>	CAVO COMM.LE	PUNTALI	=1.A/1.5
MORS. PE	PE	2,5 mm <sup>2</sup>	2,7 mt.	2	NERO	4x2,5mm <sup>2</sup>	CAVO COMM.LE	PUNTALI	=1.A/1.7
COMPRESSORE 2	U4	2,5 mm <sup>2</sup>	2,7 mt.	2	NERO	4x2,5mm <sup>2</sup>	CAVO COMM.LE	PUNTALI	=1.A/1.7
COMPRESSORE 2	V4	2,5 mm <sup>2</sup>	2,7 mt.	2	NERO	4x2,5mm <sup>2</sup>	CAVO COMM.LE	PUNTALI	=1.A/1.7
COMPRESSORE 2	W4	2,5 mm <sup>2</sup>	2,7 mt.	2	NERO	4x2,5mm <sup>2</sup>	CAVO COMM.LE	PUNTALI	=1.A/1.8
	G	1 mm <sup>2</sup>	2,65 mt.	3	NERO	2x1mm <sup>2</sup>	CAVO COMM.LE NPI	PUNTALI	=1.B/3.4
MORS. AUX	059	1 mm <sup>2</sup>	2,65 mt.	3	NERO	2x1mm <sup>2</sup>	CAVO COMM.LE NPI	PUNTALI	=1.B/3.4
	G	1 mm <sup>2</sup>	1,85 mt.	4	NERO	2x1mm <sup>2</sup>	CAVO COMM.LE NPI	PUNTALI	=1.B/3.3
MORS. AUX	057	1 mm <sup>2</sup>	1,85 mt.	4	NERO	2x1mm <sup>2</sup>	CAVO COMM.LE NPI	PUNTALI	=1.B/3.3
MORS. AUX	55	1 mm <sup>2</sup>	1,75 mt.	5	ROSSO	2x1mm <sup>2</sup>	CAVO COMM.LE NPI		=1.B/3.4
MORS. AUX	57	1 mm <sup>2</sup>	1,75 mt.	5	ROSSO	2x1mm <sup>2</sup>	CAVO COMM.LE NPI		=1.B/3.4
MORS. AUX	68	1 mm <sup>2</sup>	0,25 mt.	6	ROSSO	2x1mm <sup>2</sup>	CAVO COMM.LE NPI	FASTON 6.3	=1.B/3.7
MORS. AUX	068	1 mm <sup>2</sup>	0,25 mt.	6	ROSSO	2x1mm <sup>2</sup>	CAVO COMM.LE NPI	FASTON 6.3	=1.B/3.7
MORS. PE	PE	2,5 mm <sup>2</sup>	1,6 mt.	7	NERO	4x2,5mm <sup>2</sup>	CAVO COMM.LE NPI	PUNTALI	=1.A/2.6
UMIDIFICATORE	U7	2,5 mm <sup>2</sup>	1,6 mt.	7	NERO	4x2,5mm <sup>2</sup>	CAVO COMM.LE NPI	PUNTALI	=1.A/2.5
UMIDIFICATORE	N7	2,5 mm <sup>2</sup>	1,6 mt.	7	NERO	4x2,5mm <sup>2</sup>	CAVO COMM.LE NPI	PUNTALI	=1.A/2.5
SENSORE DI LIVELLO	SL	2,5 mm <sup>2</sup>	1,6 mt.	7	NERO	4x2,5mm <sup>2</sup>	CAVO COMM.LE NPI		
	G	1 mm <sup>2</sup>	1,75 mt.	8	NERO	2x1mm <sup>2</sup>	CAVO COMM.LE NPI	FASTON 6.3	=1.B/3.8
MICROFACE	75	1 mm <sup>2</sup>	1,75 mt.	8	NERO	2x1mm <sup>2</sup>	CAVO COMM.LE NPI	FASTON 6.3	=1.B/3.8
RESISTENZA CARTER 3	N1	1,5 mm <sup>2</sup>	1,7 mt.	9	NERO	3x1,5mm <sup>2</sup>	CAVO COMM.LE NPI	PUNTALI	=1.A/1.6
MORS. PE	PE	1,5 mm <sup>2</sup>	1,7 mt.	9	NERO	3x1,5mm <sup>2</sup>	CAVO COMM.LE NPI	PUNTALI	=1.A/1.6
RESISTENZA CARTER 3	3-T1	1,5 mm <sup>2</sup>	1,7 mt.	9	NERO	3x1,5mm <sup>2</sup>	CAVO COMM.LE NPI	PUNTALI	=1.A/1.6
LP1	24	1 mm <sup>2</sup>	1,6 mt.	10	ROSSO	2x1mm <sup>2</sup>	CAVO COMM.LE NPI		=1.B/4.5
LP1	44	1 mm <sup>2</sup>	1,6 mt.	10	ROSSO	2x1mm <sup>2</sup>	CAVO COMM.LE NPI		=1.B/4.5
	G	1 mm <sup>2</sup>	1,75 mt.	11	NERO	2x1mm <sup>2</sup>	CAVO COMM.LE NPI	PUNTALI	=1.B/3.9
MICROFACE	74	1 mm <sup>2</sup>	1,75 mt.	11	NERO	2x1mm <sup>2</sup>	CAVO COMM.LE NPI	PUNTALI	=1.B/3.9
VENTILATORE 1	N2	1,5 mm <sup>2</sup>	1,4 mt.	12	NERO	4x1,5mm <sup>2</sup>	CAVO COMM.LE	PUNTALI	=1.A/1.3

Disegnato con ELCAD (R)

c			Data	08.07.1998		Drawing code:	CN1105E04H	SCHEMA ELETTRICO ELECTRICAL DIAGRAM	Descrizione foglio:	Lista componenti	
b			Dis.								
a			Ver.					317832	Tipo macchina:	HIFLEX-5 F+C	Vers. macchina: HDX5-L/G/400/50
modifica	Data	Nome	Norma		Sostituito per:	Sostituito per:	Origine:				Sez. A.E. CABLE LIST Pg. 23 di 24

