

Document list				
	Document type	Sheet	Description	Rev.
A	0 Copertina	1	COVER	
	1 SPECIFICHE ELETTRICHE	2		
	2 Schema	3		
	2 Schema	4		
	2 Schema	5		
	2 Schema	6		
	2 Schema	7		
	2 Schema	8		
B	2 Schema	9		
	2 Schema	10		
	2 Schema	11		
	2 Schema	12		
	2 Schema	13		
	2 Schema	14		
	2 Schema	15		
	2 Schema	16		
C	3 Layout	17		
	3 Layout	18		
	3 Layout	19		
	3 Layout	20		
	4 Lista componenti	21		
	4 Lista componenti	22		
D				
E				
F				

Wire Colour Code		WIRE SECTION NOT MENTIONED
BLACK	Power	1,5mm ²
RED	Auxiliaries 24 VAC	1mm ²
GREY	GREY	1,5mm ²
YELLOW/GREEN	Ground	USERCOMPLIANT

Reference code: /3 .6
 Sheet ← → Column

Customer: STD
Order:
Supply: 400 V 50 Hz
Auxiliary circuits: 24 V
NOTE 1
NOTE 2
NOTE 3

1

2

3

4

5

6

7

8

A

ELECTRICAL SPECIFICATIONS-ELEKTRISCHE ANGABEN-SPECIFICHE ELETTRICHE

OPTIONAL FANS
VENTILATORI OPZIONALIA) FAN 1
VENTILATOR 1
VENTILATORE 1Vn 230V 1~50Hz
6S-L : No.1 Pa 0,45kW
Ia 6,8A (3 speeds - 3 veloc.)
8S-L : No.1 Pa 1,08kW
Ia 7,1A (3 speeds - 3 veloc.)6S/L : No.1 Pa 0,55kW 4P
Ia 6,5A (1 speed - 1 veloc.)8S/L : No.1 Pa 1,1kW 6P
Ia 10A (1 speed - 1 veloc.)

B

B) COMPRESSOR
KOMPRESSOR
COMPRESSORE

Vn 400V 3-50Hz

6SU/0 : Pa= 2,5kW Ia =5,7A

6LU/0 : Pa= 2,9kW Ia =7,5A

8SU/0 : Pa= 2,9kW Ia =7,5A

8LU/0 : Pa= 3,6kW Ia =8,6A



C

C) ELECTRIC HEATING
ELEKTRISCHE HEIZUNG
RISCALDAMENTO ELETTRICO

3 STEPS - 3 GRADINI - 3 STUFEN

4,5kW 400V~3

OR

5,85KW 400V~



D

D) HUMIDIFIER
BEFEUCHTER
UMIDIFICATORE

HUMIDAIR

Vn 400V 3-50Hz

4,5kg/h Pn 3.4kW



E

SUPPLY LINE-VERSORGUNGSLINIE-LINEA ALIMENTAZIONE

3-Phases + NEUTRAL +EARTH (PE)
3-Fasi + NEUTRO + TERRA (PE)
3-Phasen + Nulleiter + Erdung (PE)

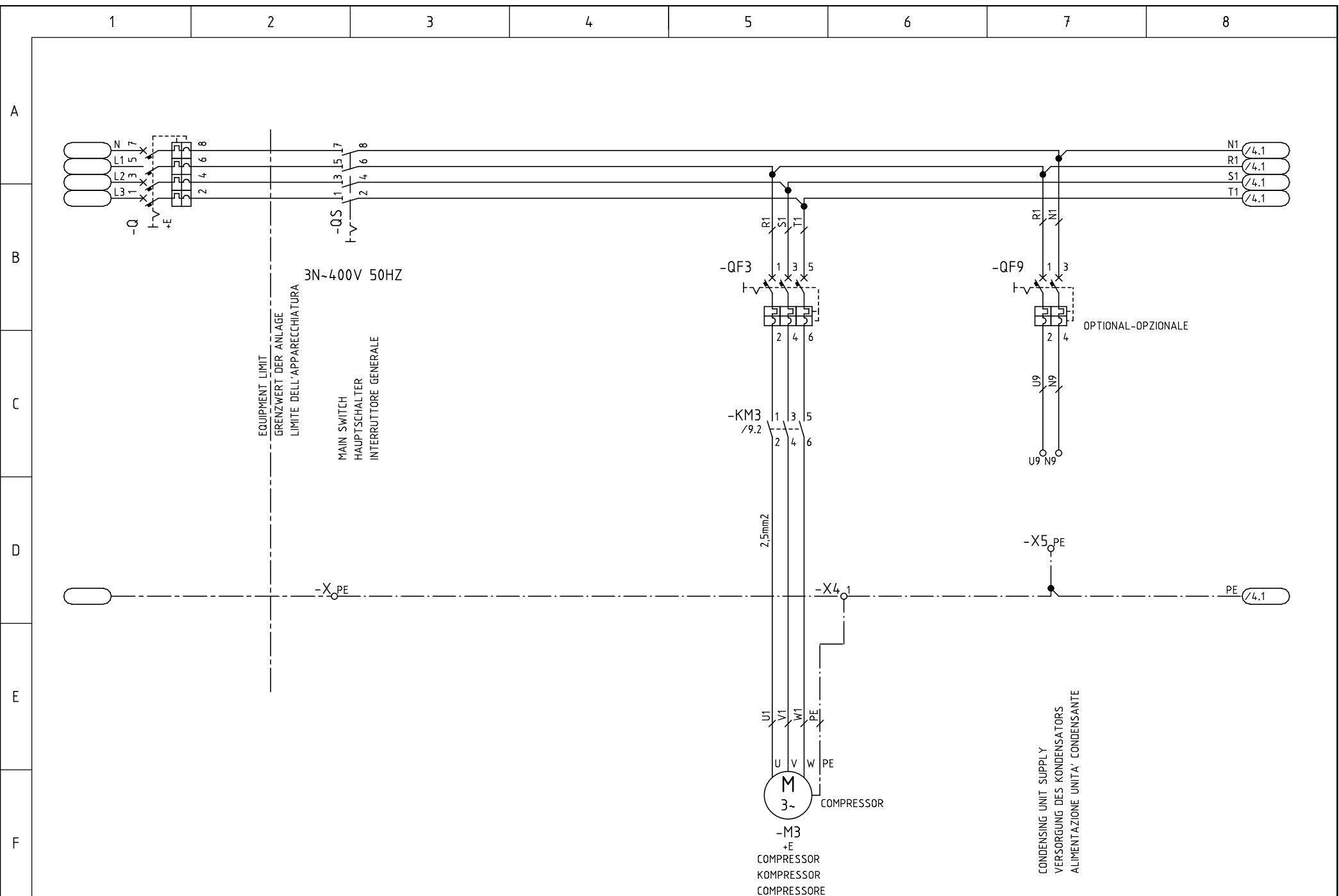
400V 50Hz

Standard version (A+B) 4x2,5mm² + PE 2,5mm²Standard version (A+B+D) 4x4mm² + PE 4mm²Full version (A+B+C+D) 4x6mm² + PE 6mm²

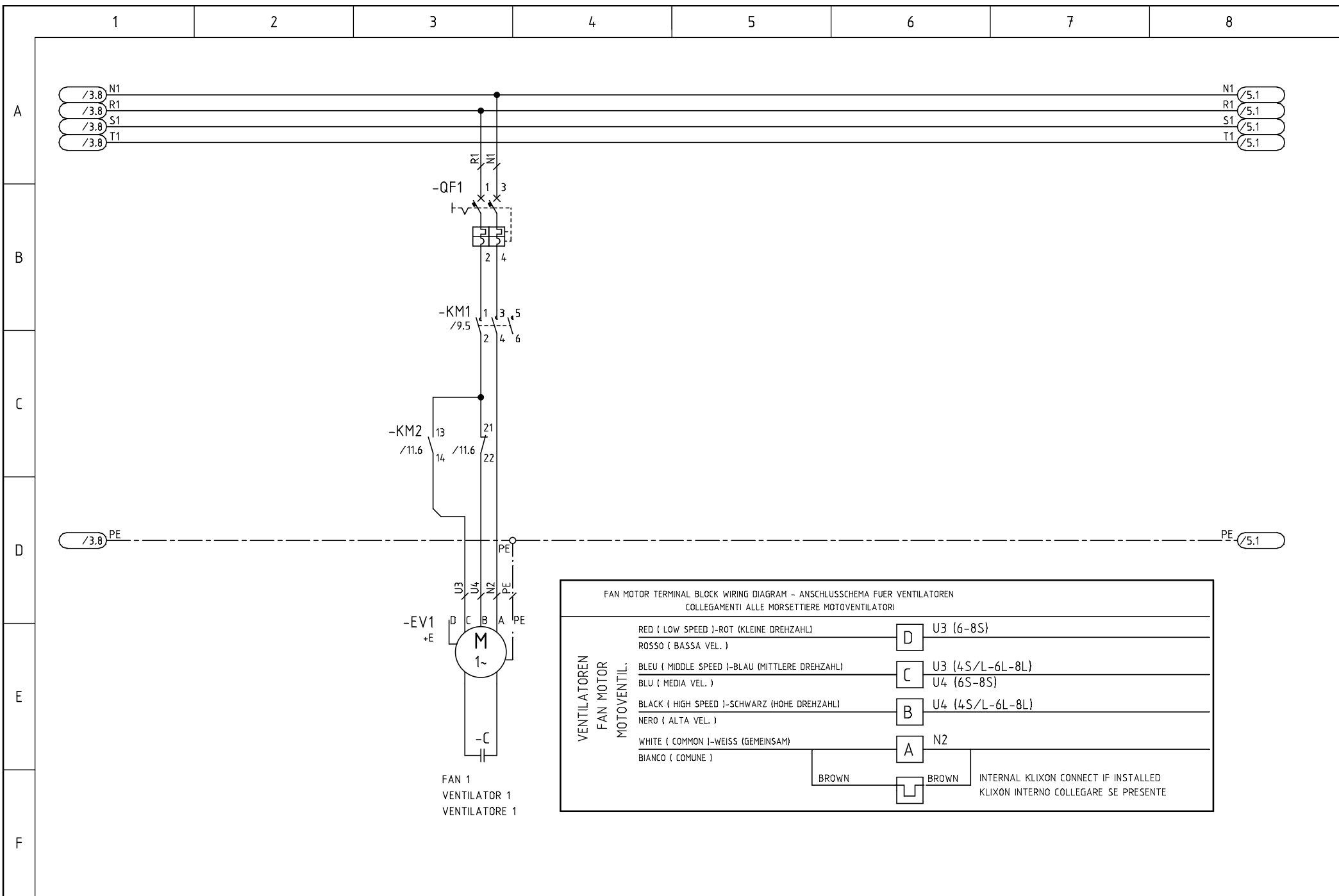
F

THIS DIAGRAM IS CARRIED OUT ACCORDING TO EUROPEAN STD EN60204-1-2

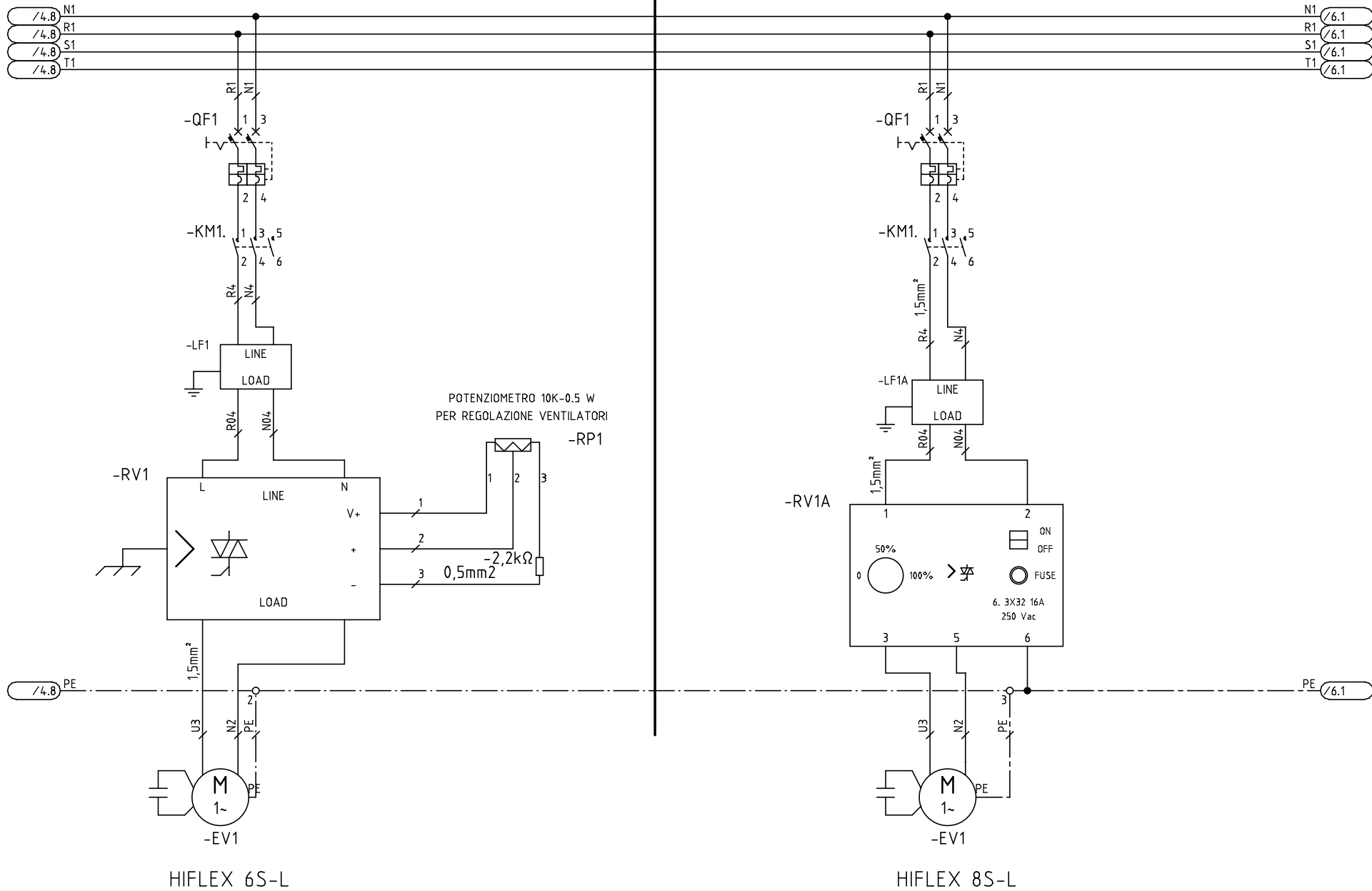
c		Date	09.11.1999	HIROSS S.p.A.	Wiring diagram name	Code	F+C+H	400 Vac	50 Hz			
b		Signature			BS0106E01C	317583						
a		Contr.	G.G.									
Modification	Date	Date	Norm.	EN60204-1	Replaced for:	Replaced by:	Origin:					
								TYPE:	HIFLEX 6-8S-L DX	File:	317583	1 SPECIFICHE ELETTRICHE
										Sheet 2 of 22	Continue	



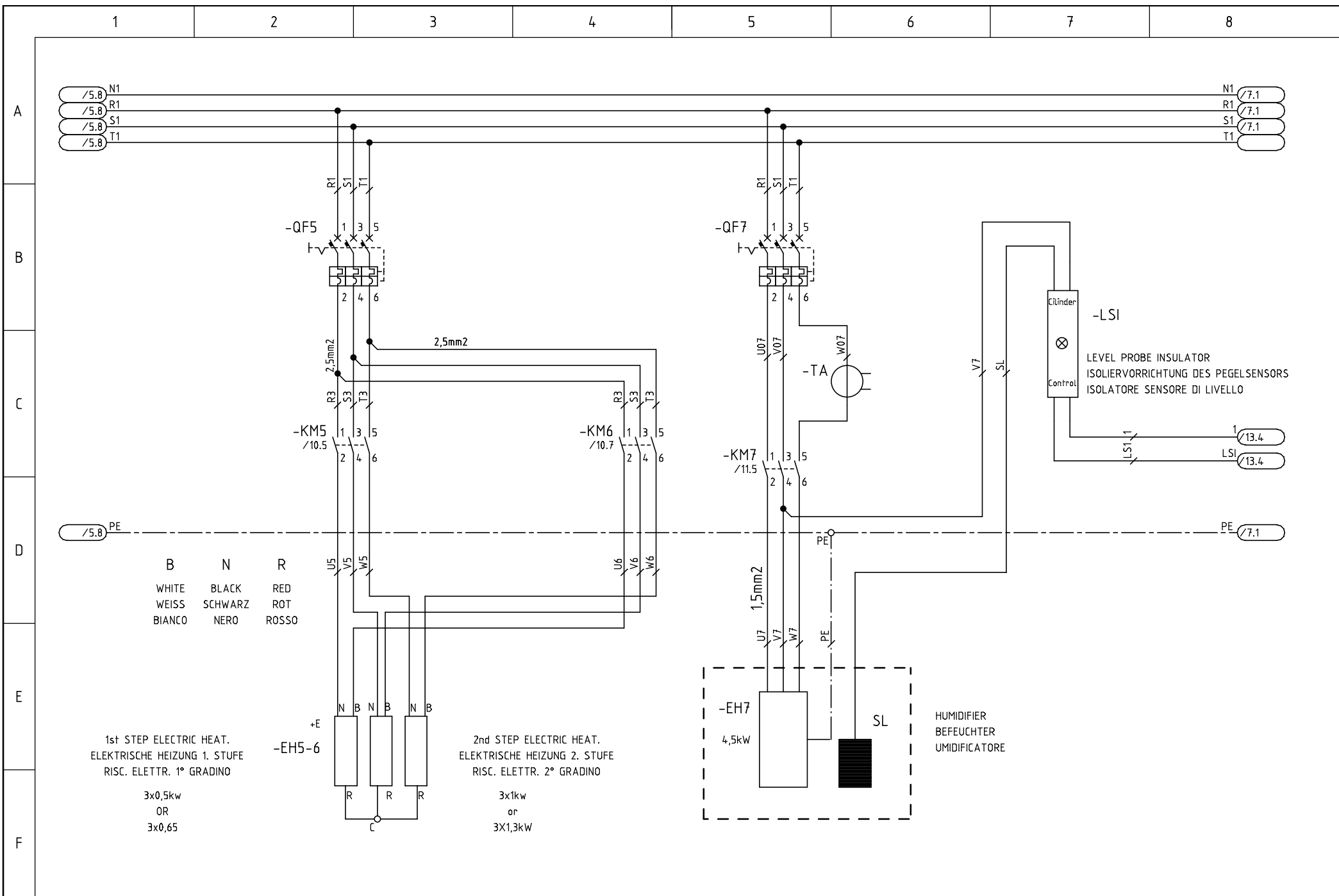
c		Date	09.11.1999		Wiring diagram name		Code	F+C+H	400 Vac	50 Hz		
b		Signature	G.A.		BS0106E01C		317583					
a		Contr.	G.G.					TYPE:	HIFLEX 6-8S-L DX	File:	317583	2 Schema
	Modification	Date	Date	Norm.	EN60204-1	Replaced for:	Replaced by:	Origin:			Sheet 3 of 22	Continue 4



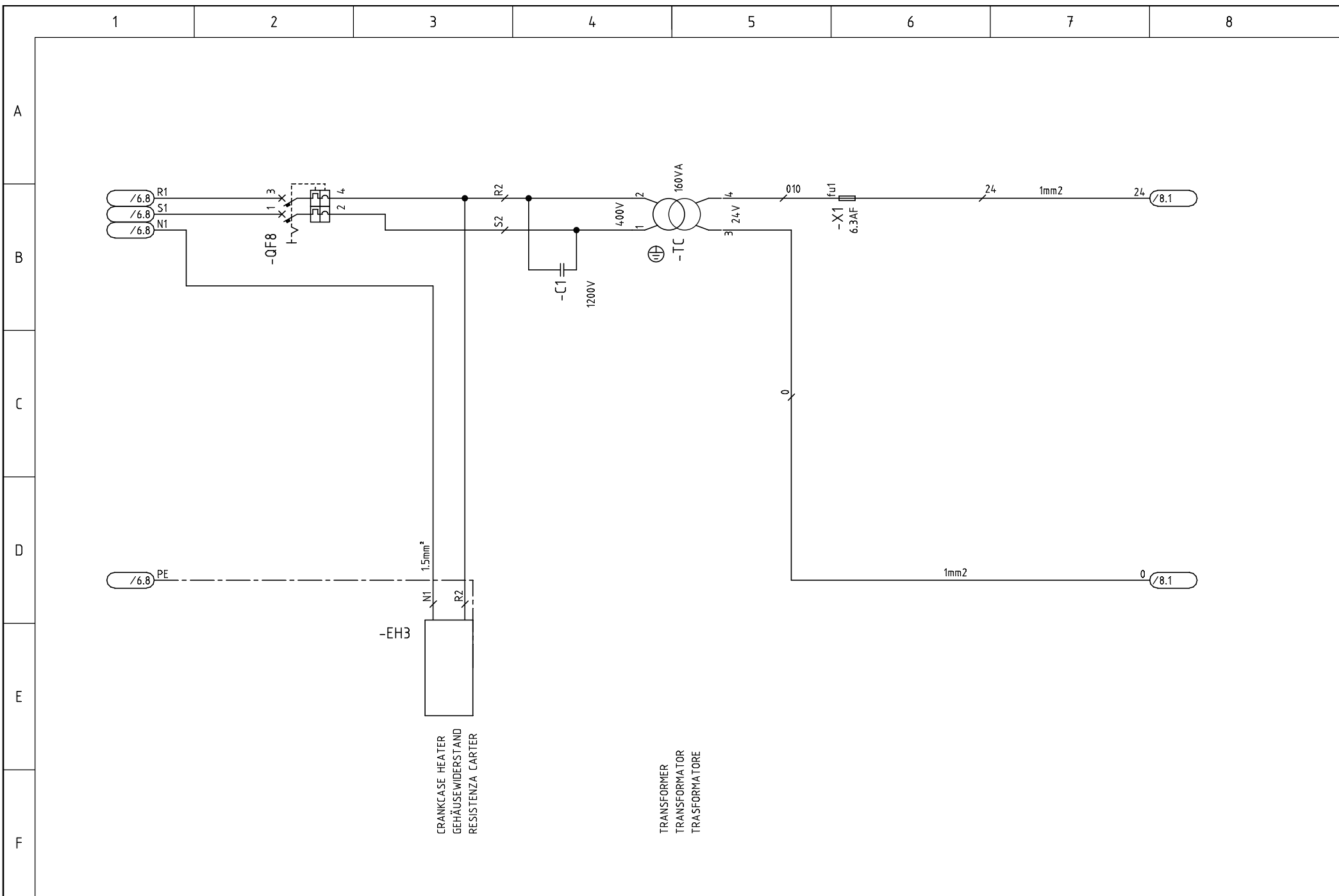
OPTIONAL FANS- VENTILATORI OPZIONALI



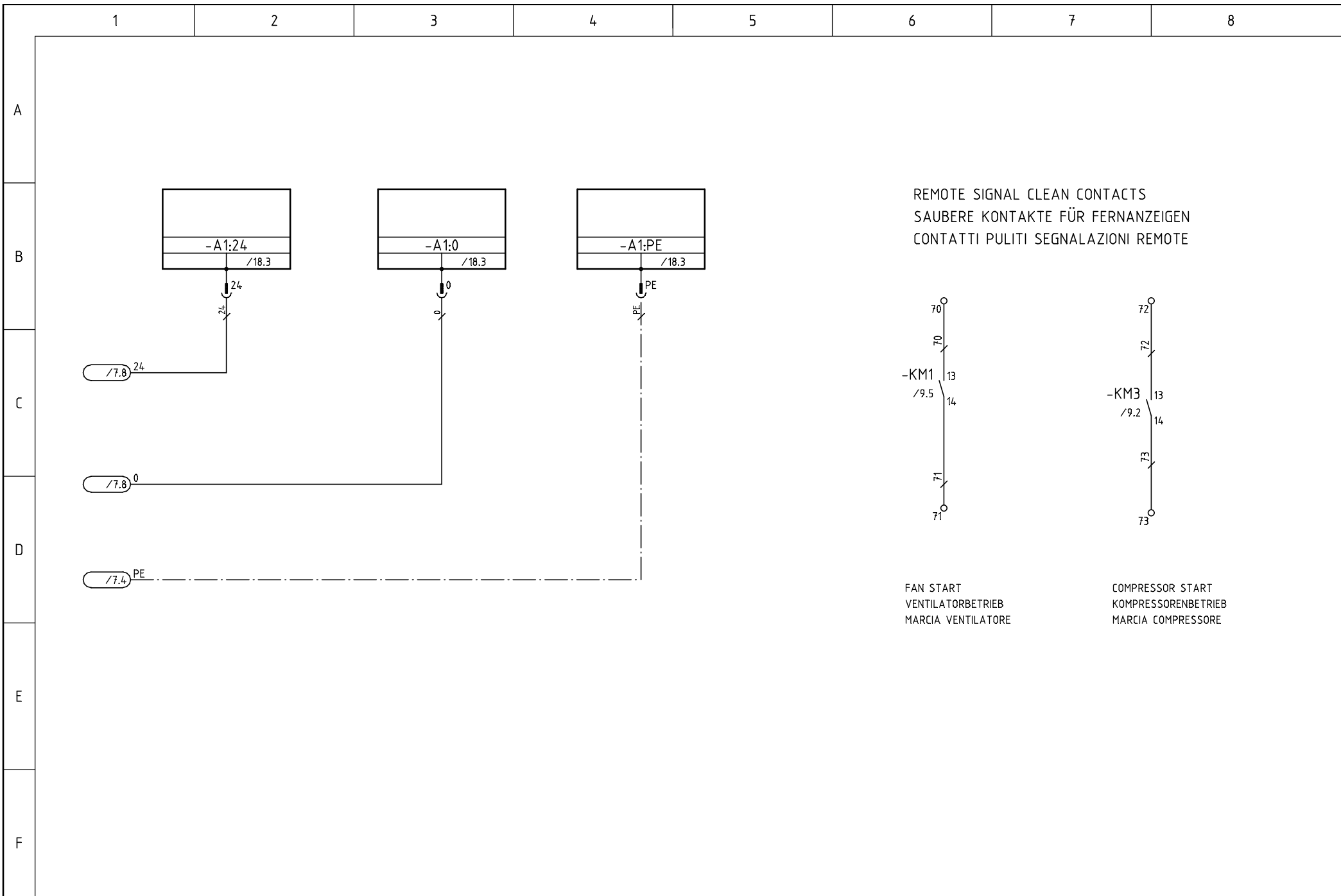
c		Date	13.12.1999		Wiring diagram name	Code	F+C+H	400 Vac	50 Hz				
b		Signature	G.A.		BS0106E01C	317583							
a		Contr.	G.G.				TYPE:	HIFLEX 6-8S-L DX	File:	317583	2 Schema		
	Modification	Date	Date	Norm.	EN60204-1	Replaced for:		Replaced by:		Origin:		Sheet 5 of 22	Continue 6



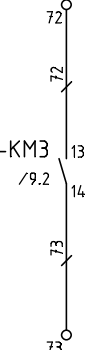
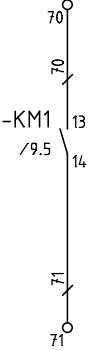
c		Date	09.11.1999		Wiring diagram name	Code	F+C+H	400 Vac	50 Hz		
b		Signature	F.A.		BS0106E01C	317583					
a		Contr.	G.G.				TYPE:	HIFLEX 6-8S-L DX	File:	317583	2 Schema
Modification		Date	Date	Norm.	EN60204-1	Replaced for:	Replaced by:	Origin:		Sheet 6 of 22	Continue 7



c		Date	09.11.1999		Wiring diagram name	Code	F+C+H	400 Vac	50 Hz				
b		Signature	F.A.		BS0106E01C	317583							
a		Contr.	G.G.				TYPE:	HIFLEX 6-8S-L DX	File:	317583	2 Schema		
	Modification	Date	Date	Norm.	EN60204-1	Replaced for:		Replaced by:		Origin:		Sheet 7 of 22	Continue 8

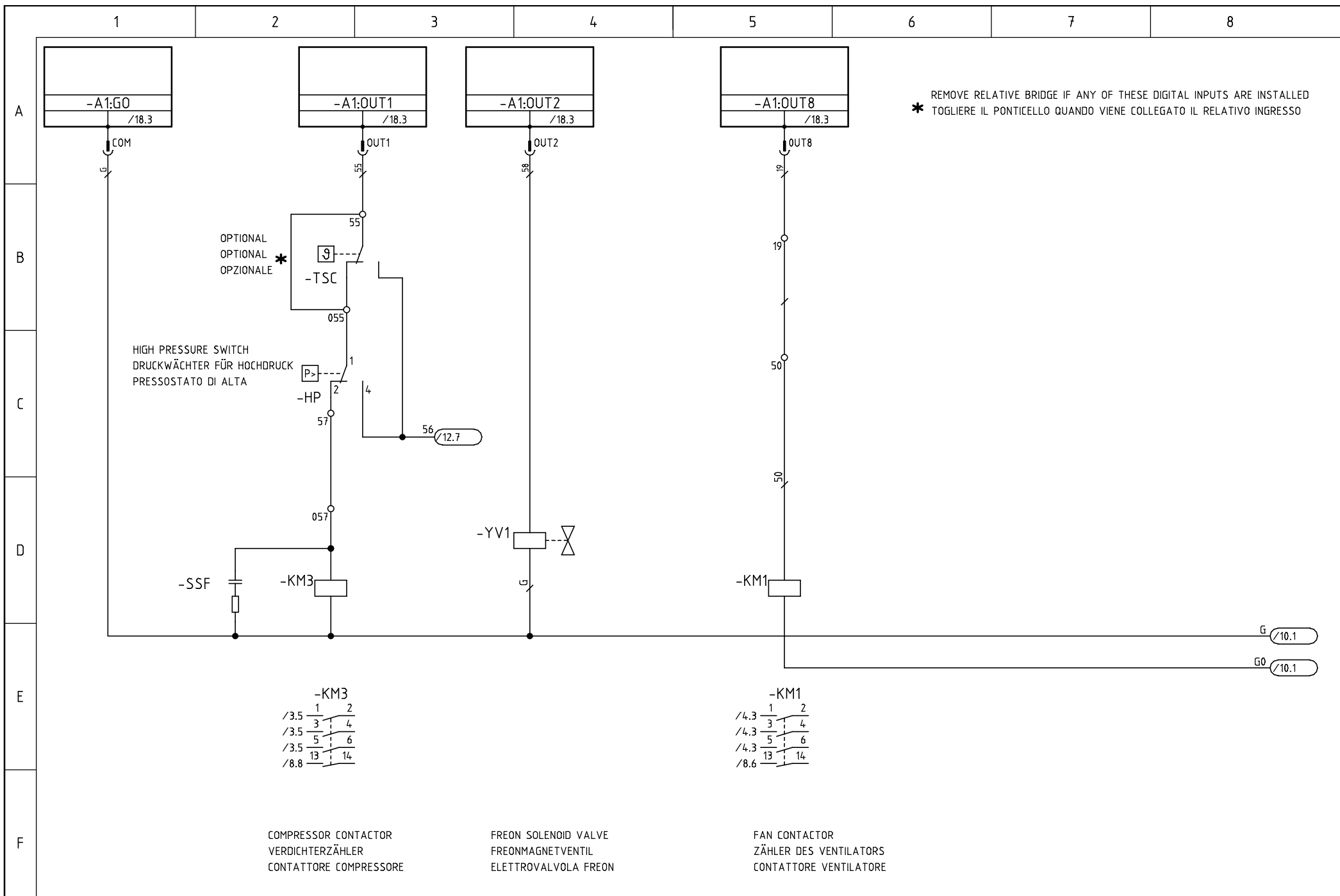


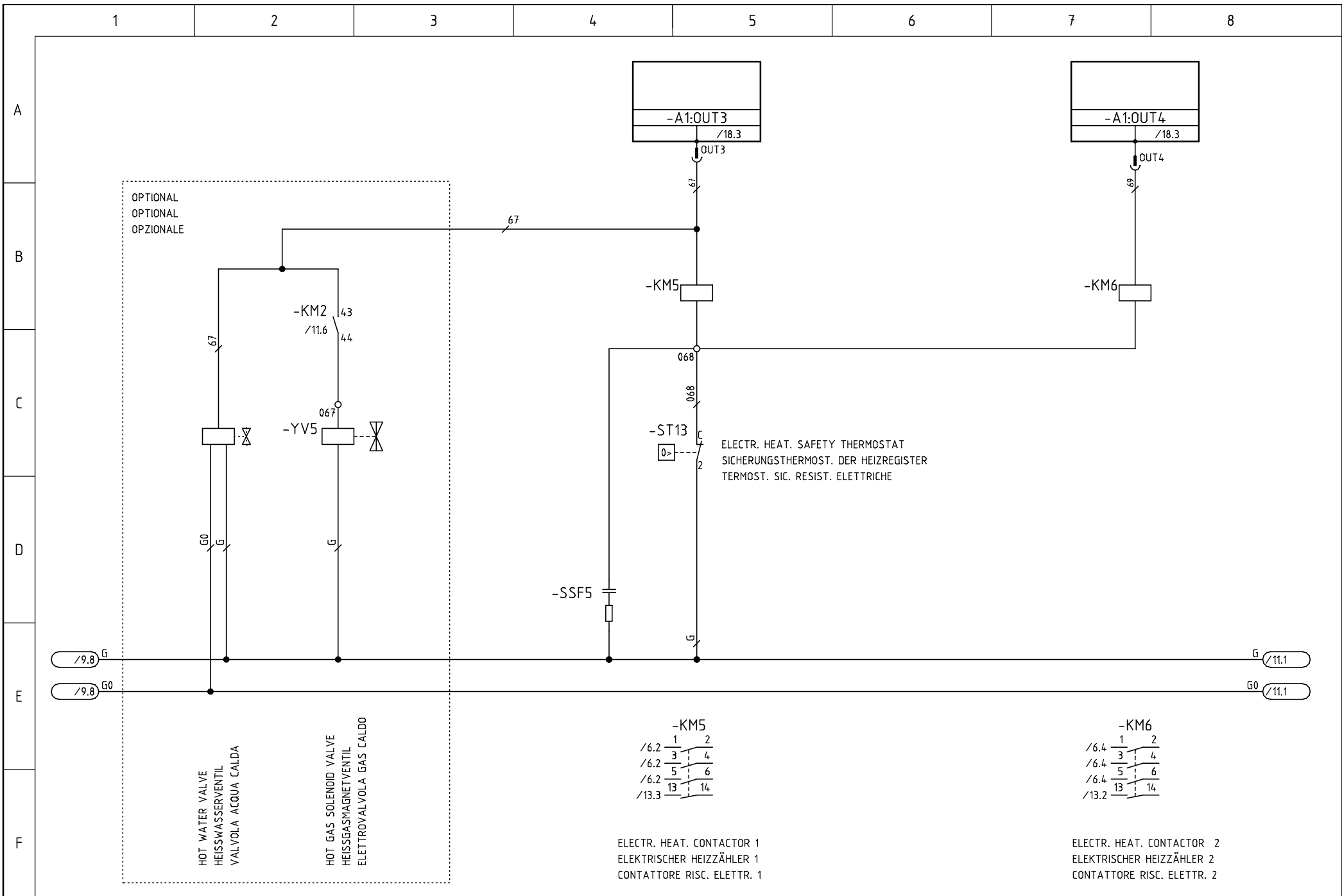
REMOTE SIGNAL CLEAN CONTACTS
 SAUBERE KONTAKTE FÜR FERNANZEIGEN
 CONTATTI PULITI SEGNALAZIONI REMOTE



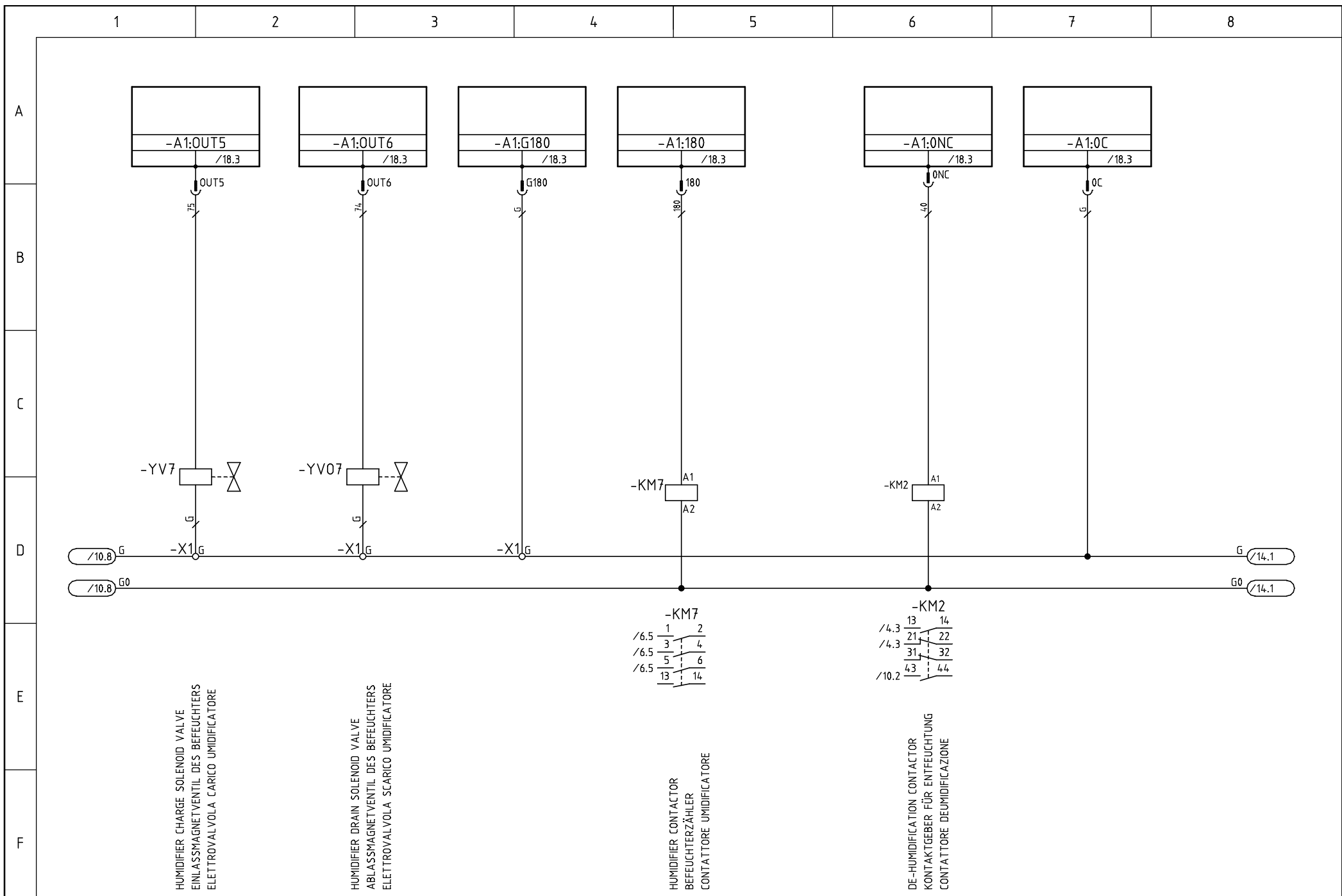
FAN START
 VENTILATORBETRIEB
 MARCIA VENTILATORE

COMPRESSOR START
 KOMPRESSORENBETRIEB
 MARCIA COMPRESSORE





c		Date	02.12.1999		Wiring diagram name	Code	F+C+H	400 Vac	50 Hz	
b		Signature	G.A.		BS0106E01C	317583				
a		Contr.	G.G.		S.p.A.					
Modification	Date	Date	Norm.	EN60204-1	Replaced for:	Replaced by:	Origin:	HIFLEX 6-8S-L DX	File:	317583
										2 Schema
										Sheet 10 of 22
										Continue 11



HUMIDIFIER CHARGE SOLENOID VALVE
 EINLASSMAGNETVENTIL DES BEFEUCHTERS
 ELETTROVALVOLA CARICO UMIDIFICATORE

HUMIDIFIER DRAIN SOLENOID VALVE
 ABLASSMAGNETVENTIL DES BEFEUCHTERS
 ELETTROVALVOLA SCARICO UMIDIFICATORE

HUMIDIFIER CONTACTOR
 BEFEUCHTERZÄHLER
 CONTATTORE UMIDIFICATORE

DE-HUMIDIFICATION CONTACTOR
 KONTAKTGEBER FÜR ENTFEUCHTUNG
 CONTATTORE DEUMIDIFICAZIONE

c		Date	02.12.1999		Wiring diagram name	Code	F+C+H	400 Vac	50 Hz				
b		Signature	G.A.		BS0106E01C	317583							
a		Contr.	G.G.				TYPE:	HIFLEX 6-8S-L DX	File:	317583	2 Schema		
	Modification	Date	Date	Norm.	EN60204-1	Replaced for:		Replaced by:		Origin:		Sheet 11 of 22	Continue 12

1

2

3

4

5

6

7

8

A

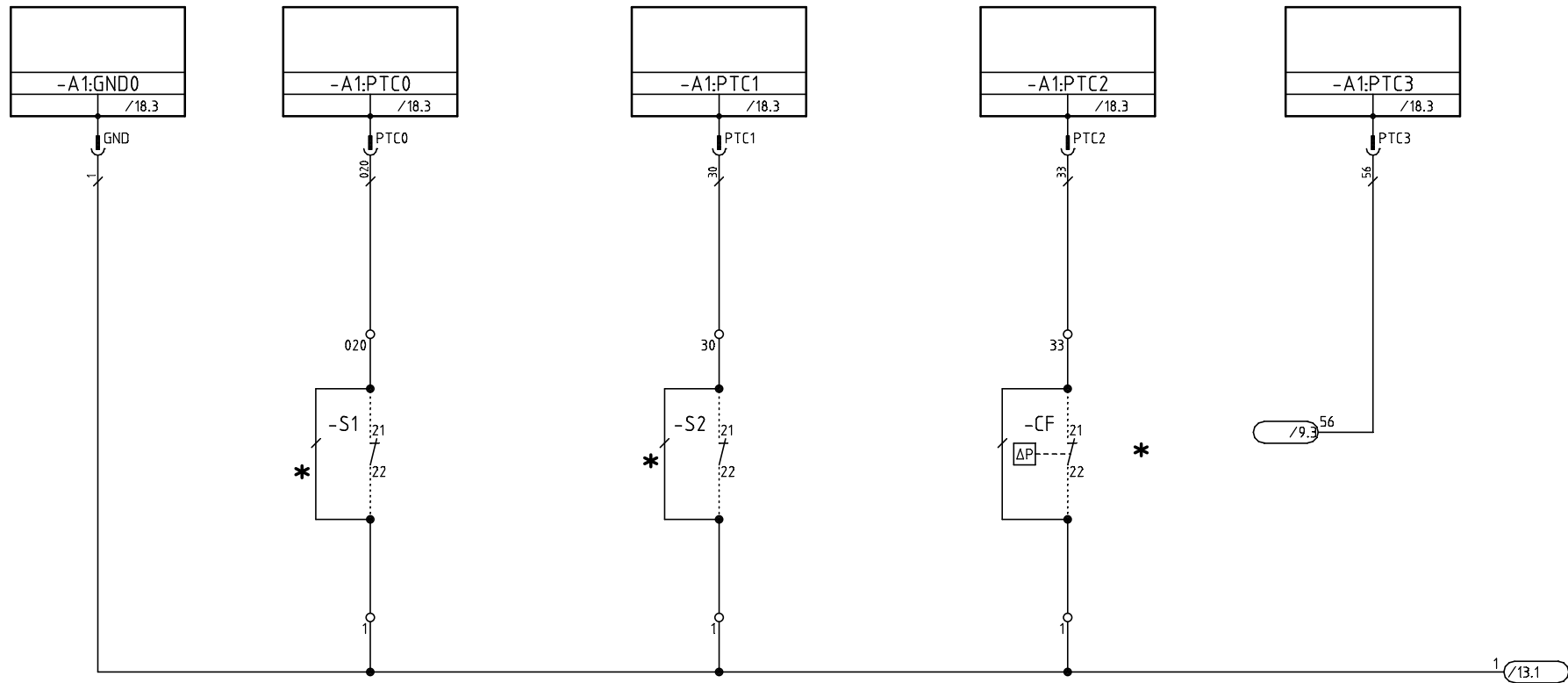
B

C

D

E

F



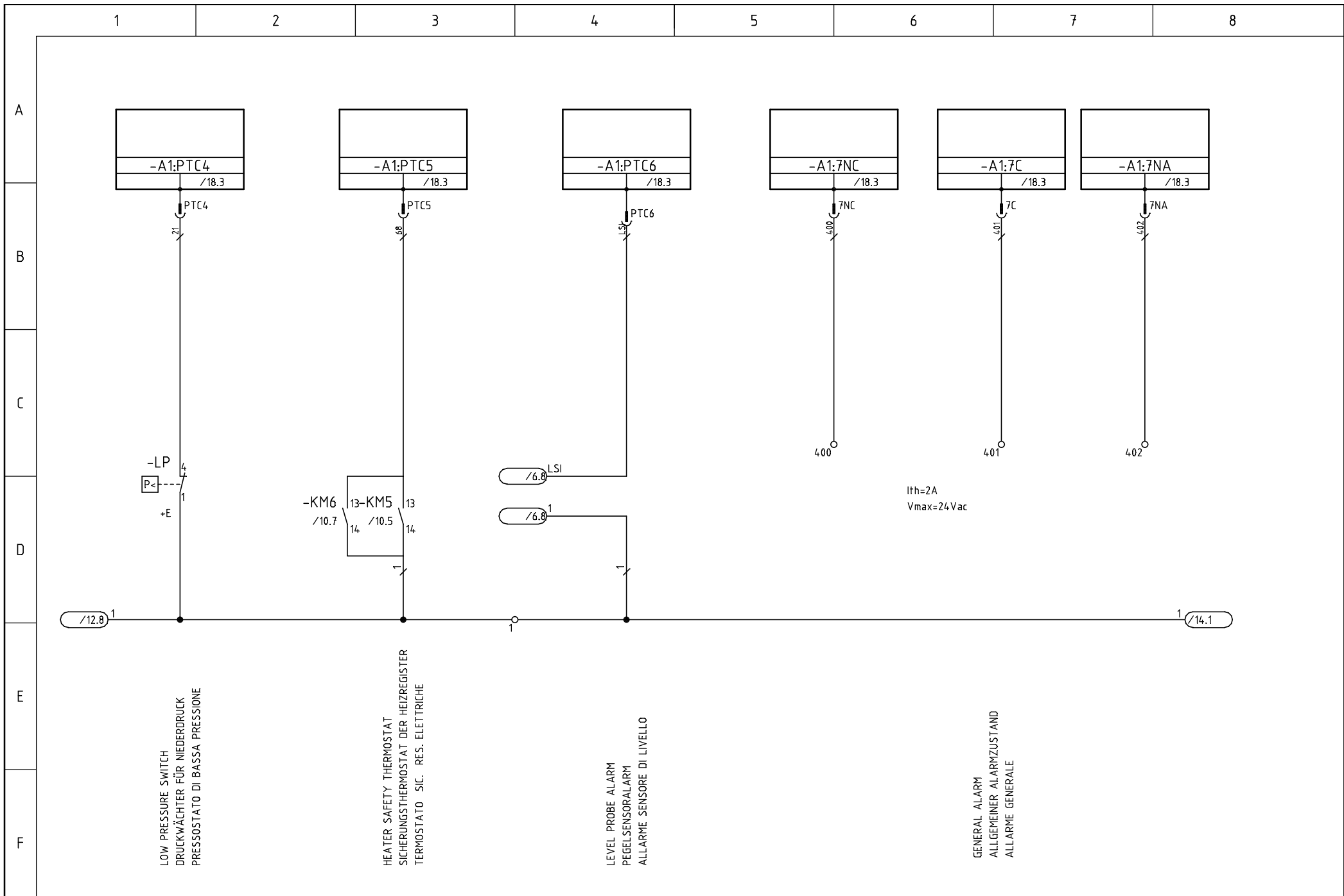
REMOTE ON/OFF
ENTFERNTER ON/OFF-SCHALTER
ON/OFF REMOTO

USER 1 INPUT
BENUTZEREINGANG 1
INGRESSO UTENTE 1

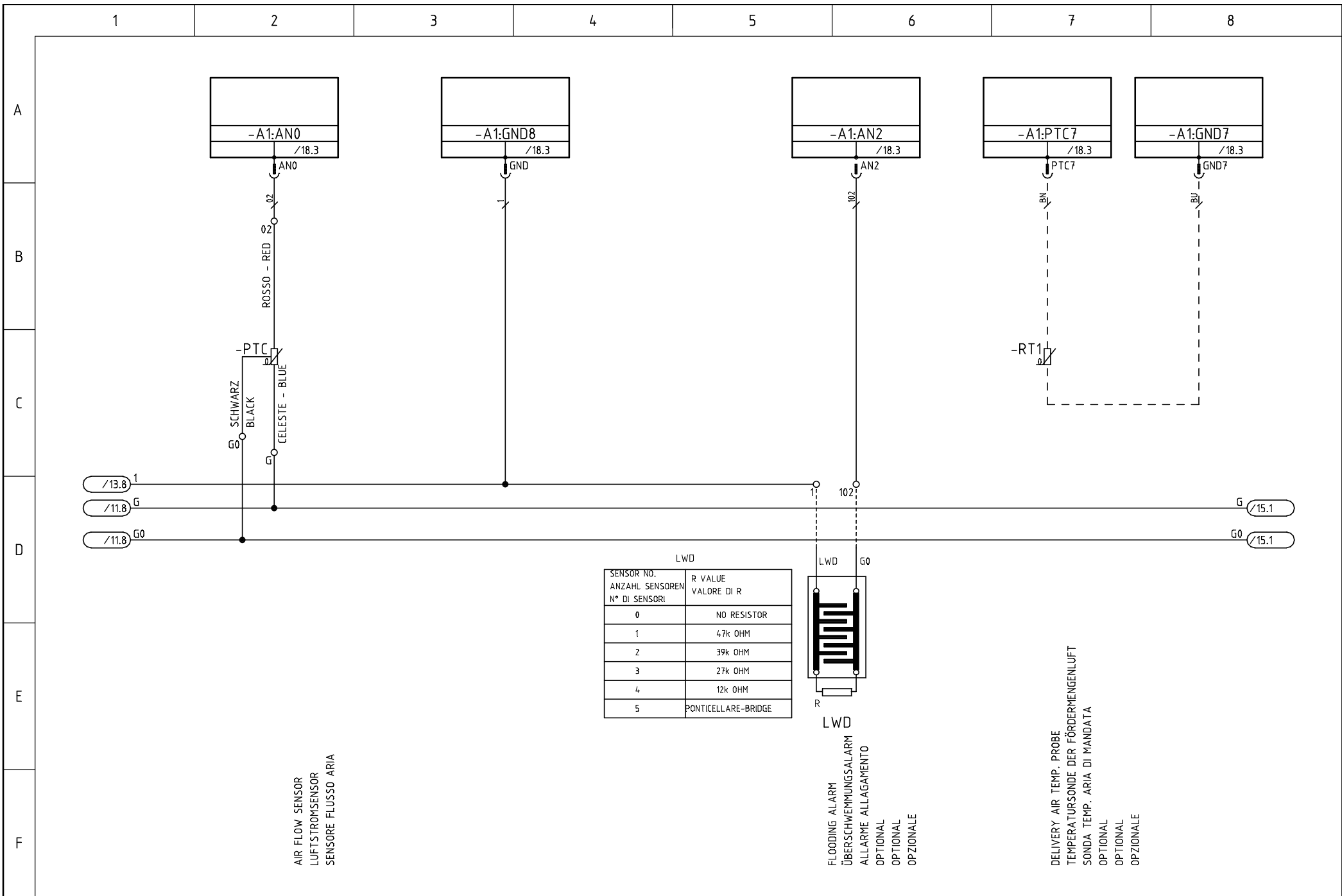
CLOGGED FILTER ALARM
ALARM FÜR VERSCHMUTZTE FILTER
ALLARME FILTRI SPORCHI

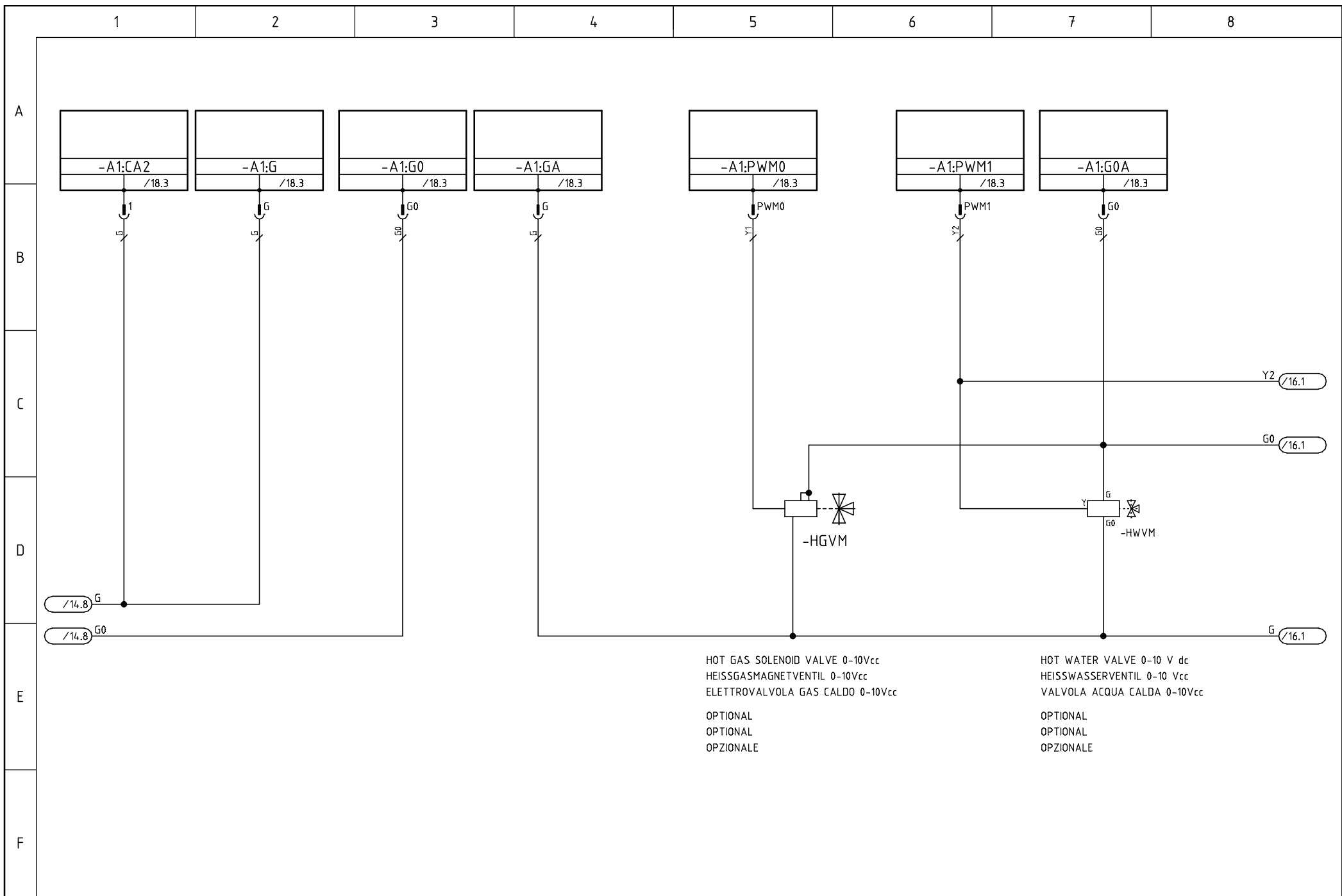
* REMOVE RELATIVE BRIDGE IF ANY OF THESE DIGITAL INPUTS ARE INSTALLED
* TOGLIERE IL PONTICELLO QUANDO VIENE COLLEGATO IL RELATIVO INGRESSO

c		Date	02.12.1999		Wiring diagram name	Code	F+C+H	400 Vac	50 Hz		
b		Signature	G.A.		BS0106E01C	317583					
a		Contr.	G.G.				TYPE:	HIFLEX 6-8S-L DX	File:	317583	2 Schema
	Modification	Date	Date	Norm.	EN60204-1	Replaced for:	Replaced by:	Origin:		Sheet 12 of 22	Continue 13



c		Date	02.12.1999		Wiring diagram name	Code	F+C+H	400 Vac	50 Hz	2 Schema						
b		Signature	#.A.								BS0106E01C	317583	TYPE:	HIFLEX 6-8S-L DX	File:	317583
a		Contr.	G.G.													
	Modification	Date	Date	Norm.	EN60204-1											

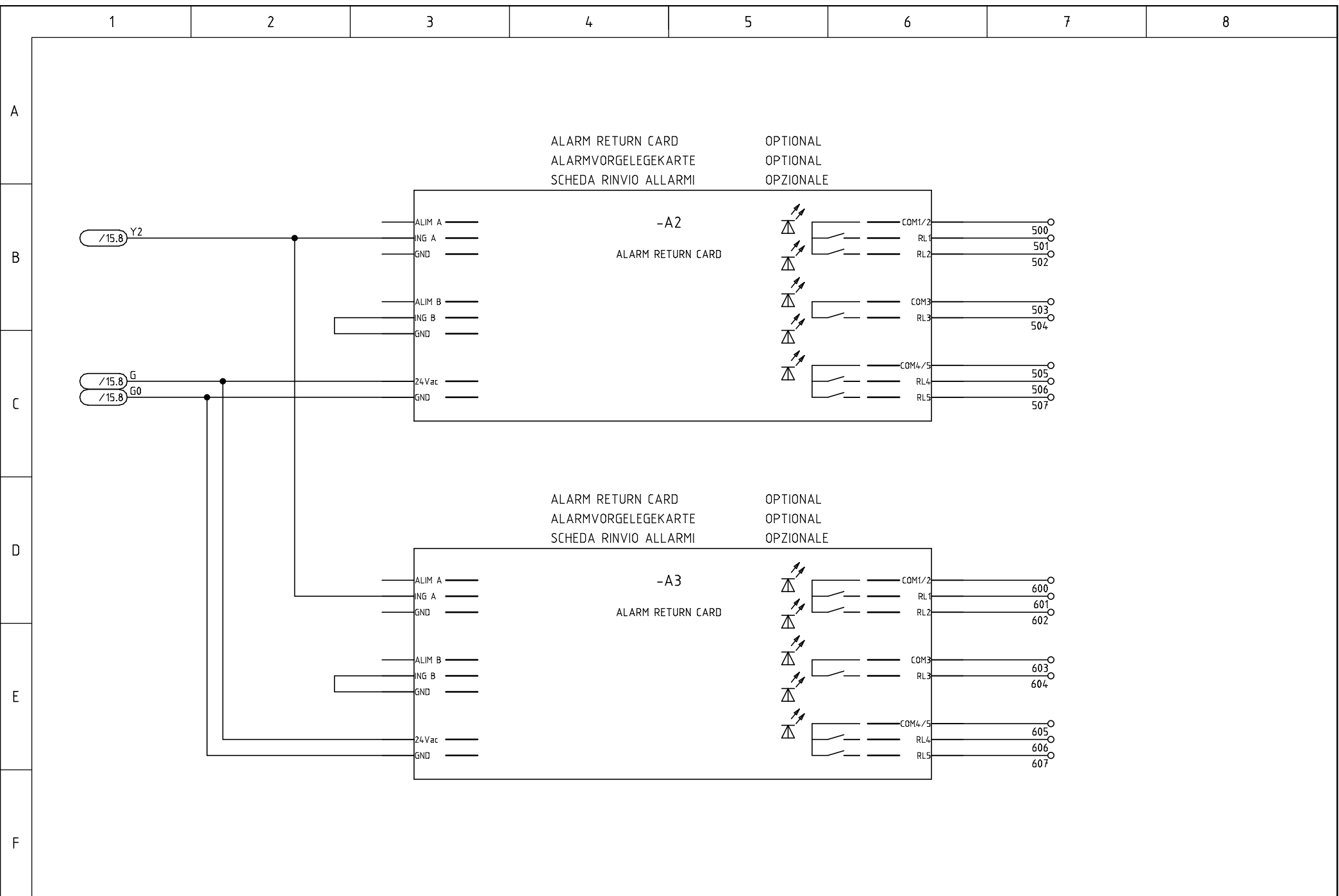




HOT GAS SOLENOID VALVE 0-10Vcc
 HEISSGASMAGNETVENTIL 0-10Vcc
 ELETTRIVALVOLA GAS CALDO 0-10Vcc
 OPTIONAL
 OPTIONAL
 OPZIONALE

HOT WATER VALVE 0-10 V dc
 HEISSWASSERVENTIL 0-10 Vcc
 VALVOLA ACQUA CALDA 0-10Vcc
 OPTIONAL
 OPTIONAL
 OPZIONALE

c		Date	02.12.1999		Wiring diagram name	Code	F+C+H	400 Vac	50 Hz				
b		Signature	#.A.		BS0106E01C	317583							
a		Contr.	G.G.				TYPE:	HIFLEX 6-8S-L DX	File:	317583	2 Schema		
	Modification	Date	Date	Norm.	EN60204-1	Replaced for:		Replaced by:		Origin:		Sheet 15 of 22	Continue 16



c		Date	02.12.1999		Wiring diagram name	Code	F+C+H	400 Vac 50 Hz	
b		Signature	F.A.		BS0106E01C	317583			
a		Contr.	G.G.				TYPE:		
	Modification	Date	Date	Norm.	EN60204-1	Replaced for:	Replaced by:	Origin:	File: 317583
									2 Schema
									Sheet 16 of 22
									Continue

1

2

3

4

5

6

7

8

A

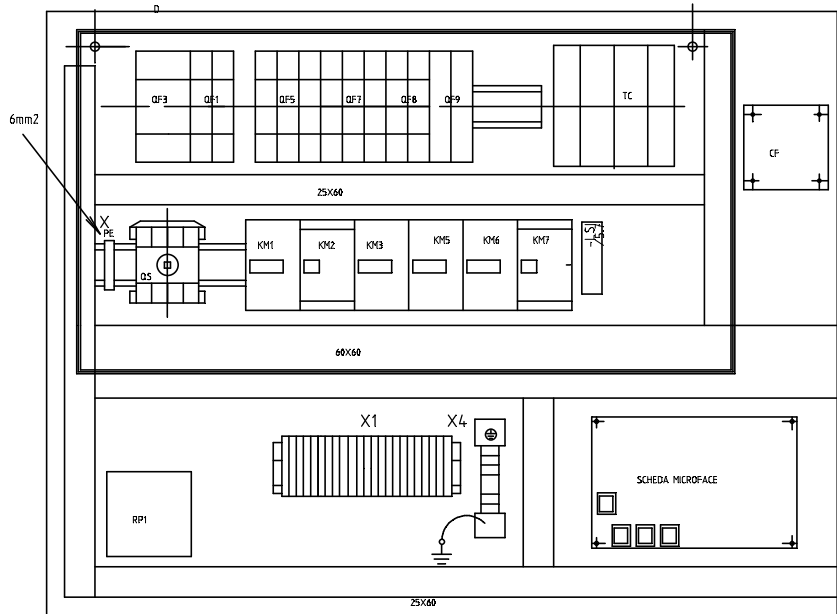
B

C

D

E

F

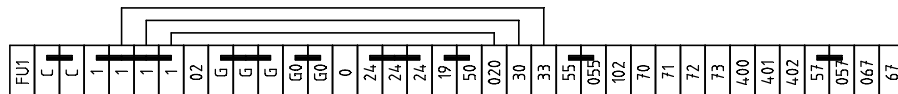


ELECTRICAL PANEL LAY-OUT
 PLANIMETRIA QUADRO ELETTRICO
 E-PANEEL AUFBAU

OPTIONAL
 OPTIONAL
 OPZIONALE

TERMINAL BLOCK LAY OUT-PLANIMETRIA MORSETTIERA
 AUFBAU KLEMMELEISTE

500	501	502	503	504	505	506	507
600	601	602	603	604	605	606	607

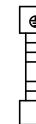


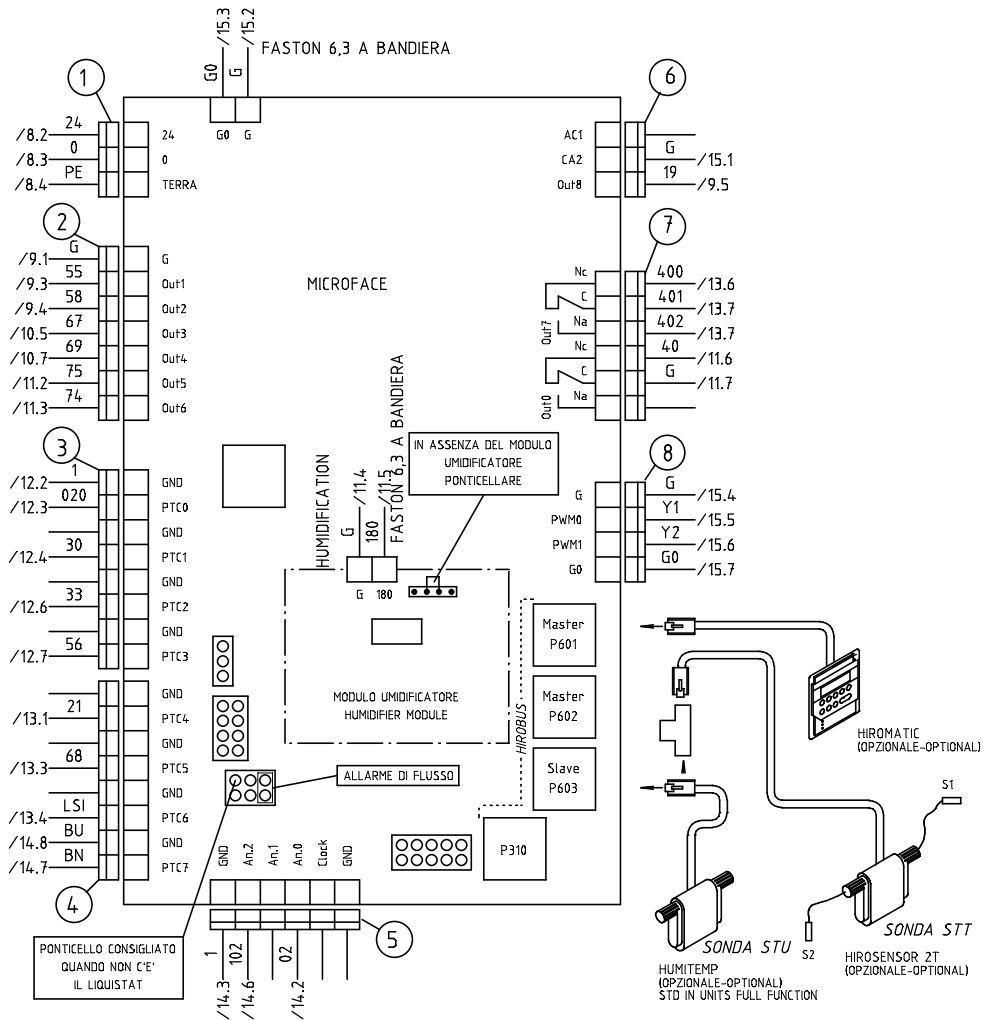
LASCIARE LIBERI
 I MORSETTI G-02-G0
 PER COLLEGAMENTO
 SONDIA DI FLUSSO



OPTIONALS/OPZIONALE
 SONLY IF REQUEST/SOLO SE RICHESTO

X4
 6x2,5mm²
 2X6mm²





N.B. CONNETTORI 1-8-6 4 VIE
 ZETRONIC COD. 94535/9104
 CONNETTORI 2-3-4-5-7 8 VIE
 ZETRONIC COD. 94535/9108
 CONNETTORE N° 5 6 VIE RICAIVATO
 DA UNO A 8 VIE
 TERMINALE FASTON 94518/0201

CON I FUSIBILI ALLEGARE 10 FASTON
 94518/0201

c		Date	02.12.1999		Wiring diagram name	Code	F+C+H	400 Vac	50 Hz		
b		Signature	G.A.		BS0106E01C	317583					
a		Contr.	G.G.				TYPE:	HIFLEX 6-8S-L DX	File:	317583	3 Layout
Modification	Date	Date	Norm.	EN60204-1	Replaced for:	Replaced by:	Origin:			Sheet 18 of 22	Continue 19

1

2

3

4

5

6

7

8

A

B

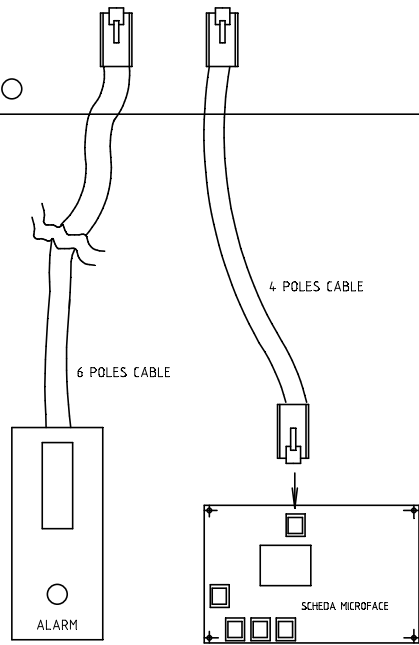
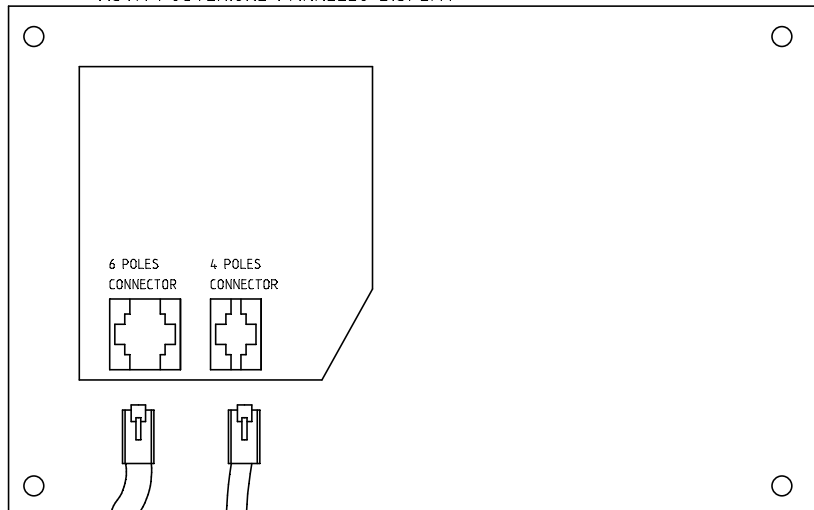
C

D

E

F

LCD DISPLAY PANEL REAR VIEW
 VISTA POSTERIORE PANNELLO DISPLAY



c			Date	02.12.1999		Wiring diagram name	Code	F+C+H	400 Vac	50 Hz		
b			Signature	G.A.		BS0106E01C	317583					
a			Contr.	G.G.				TYPE:	HIFLEX 6-8S-L DX	File:	317583	3 Layout
	Modification	Date	Date	Norm.	EN60204-1	Replaced for:	Replaced by:	Origin:			Sheet 19 of 22	Continue 20

1		2		3		4		5		6		7		8	
QUANTITY	ARTICLE CODE	DESCRIPTION				TECHNICAL DATA				CATALOGUE NO.	IDENTIFIER	RE.	MANUFACTURER	Code	
A	30											-2,2kΩ	/5.4		
												-A1	/18.3		
												-A2	/16.3		
												-A3	/16.3		
												-C	/4.3		
B												-CF	/12.6		
												-EV1	/5.2		
												-HGVM	/15.5		
												-HP	/9.2		
												-HWV	/10.2		
C												-HWVM	/15.7		
												-PTC	/14.2		
												-RT1	/14.7		
												-S1	/12.3		
												-S2	/12.4		
D												-SL	/6.6		
												-ST13	/10.5		
												-TA	/6.6		
												-TSC	/9.3		
												-YV1	/9.4		
E												-YV5	/10.2		
												-YV7	/11.2		
												-YV07	/11.3		
												-EH3	/7.3		
												-EH5-6	/6.2		
F												-EH7	/6.5		
												-EV1	/4.3		
												-LP	/13.1		
												-M3	/3.5		
												-Q	/3.1		
	1	B84112-B-B110 10A		ANTI-NOISE FILTER		B84112-B-B110		B84112-B-B110 10A		-LF1	/5.2	Siemens	254657		
	1	B84112-B-B120 20A		ANTI-NOISE FILTER		B84112-B-B120		B84112-B-B120 20A		-LF1A	/5.6	Siemens	254659		
	1	LSI		LEVEL PROBE INSULATOR		LSI		275905		-LSI	/6.7	HIROSS	275905		
	1	LWD		SENSORE ALLAGAMENTO		LWD				-R	/14.5	HIROSS	275180		

	1	2	3	4	5	6	7	8	
	QUANTITY	ARTICLE CODE	DESCRIPTION	TECHNICAL DATA	CATALOGUE NO.	IDENTIFIER	RE.	MANUFACTURER	Code
A	1	MKPC44/2		MKPC44/2	MKPC44/2	-C1	/7.4	ARCOTRONICS	254324
	2	MKT1-43	ANTI-NOISE FILTER	MKT1-43	0,5microF 100ohm	-SSF	/9.2	ARCOTRONIC	254656
			ANTI-NOISE FILTER	MKT1-43	0,5microF 100ohm	-SSF5	/10.4	ARCOTRONIC	254656
	1	RGF30838B0 CE 8A	FAN SPEED ADJUSTER	RGF30838B0 CE 8A	RGF30838B0 CE 8A	-RV1	/5.2	SELPRO	354432
	1	RGFPB10340XX00	FAN SPEED ADJUST. POTENTIOMETER 10 K 0.5 W	RGFPB10340XX00	RGFPB10340XX00	-RP1	/5.3	SELPRO	275310
B	1	SF520263	AUXILIARY FUSE 24 V	6.3A F	SF520263	-X1	/7.6	OMEGA	254773
	1	TK63 4P	MAIN SWITCH	63A 4 POLI	19113SM	-QS	/3.2	TECHNOELECTRIC	256403
	1	VM104/57/244 CE 12A	FAN SPEED ADJUSTER	VM104/57/244 CE 12A	VM104/57/244 CE 12A	-RV1A	/5.6	TECNEL	354390
	1	51TM2VM	TRANSFORMER	160VA	51TM2VM	-TC	/7.4	MARINI	255769
	1	115 131.06+F6,3F	AUXILIARY FUSE 24 V	M4/8.SF GRIGIO	115 131.06	-X1	/7.6	ENTRELEC	255716
C	2	831-820-676	TRANSF. AUTOMATIC SWITCH	6A 6KA	E82 C 6	-QF8	/7.2	AEG	255048
			CONDENSING UNIT AUTOMATIC SWITCH	6A 6KA	E82 C 6	-QF9	/3.7	AEG	255048
	1	831-820-678	FAN AUTOM. SWITCH	10A 6KA	E82 C 10	-QF1	/4.3	AEG	255067
	3	831-830-678	COMPRESSOR AUTOMATIC SWITCH	10A 6KA	E83 C10	-QF3	/3.5	AEG	255073
			HEATER AUTOM. SWITCH	10A 6KA	E83 C10	-QF5	/6.2	AEG	255073
D			HUMIDIFIER AUTOM. SWITCH	10A 6KA	E83 C10	-QF7	/6.5	AEG	255073
	4	910-302-003-55	FAN 1 CONTACTOR	24V AC 50-60, 1NA	LS07.10	-KM1	/9.5	AEG	256006
			ELECTR. HEAT. CONTACTOR 1	24V AC 50-60, 1NA	LS07.10	-KM5	/10.5	AEG	256006
			ELECTR. HEAT. CONTACTOR 2	24V AC 50-60, 1NA	LS07.10	-KM6	/10.7	AEG	256006
			HUMIDIFIER CONTACTOR	24V AC 50-60, 1NA	LS07.10	-KM7	/11.5	AEG	256006
E	1	910-302-183-55	DE-HUMIDIFICATION CONTACTOR	24V AC 50-60, 2NA+2NC	SH04.22	-KM2	/11.6	AEG	
	1	910-302-503-55	COMPRESSOR CONTACTOR	24V AC 50-60, 1NA	LS7.10	-KM3	/9.2	AEG	256038
	1	19501	MAIN SWITCH	19501	19501	-QS	/3.2	TECHNOELECTRIC	
	1	19535-100	MAIN SWITCH	19535-100	19535-100	-QS	/3.2	TECHNOELECTRIC	
F									