

Document list			
Document type	Sheet	Description	Rev.
A	0 COVER	1 Document list	
	2 WIRING DIAGRAM	1 Power	
	2 WIRING DIAGRAM	2 Power	
	2 WIRING DIAGRAM	3 Power	
	2 WIRING DIAGRAM	4 Power	
	2 WIRING DIAGRAM	5 AUXILIARY CIRCUITS	
	2 WIRING DIAGRAM	6 AUXILIARY CIRCUITS	
	2 WIRING DIAGRAM	7 AUXILIARY CIRCUITS	
B	2 WIRING DIAGRAM	8 AUXILIARY CIRCUITS	
	2 WIRING DIAGRAM	9 AUXILIARY CIRCUITS	
	2 WIRING DIAGRAM	10 AUXILIARY CIRCUITS	
	2 WIRING DIAGRAM	11 AUXILIARY CIRCUITS	
	2 WIRING DIAGRAM	12 AUXILIARY CIRCUITS	
	3 LAYOUT	1 LAYOUT	
	3 LAYOUT	2 LAYOUT	
	4 COMPONENT LIST	1 COMPONENT LIST	
	4 COMPONENT LIST	2 COMPONENT LIST	
C	4 COMPONENT LIST	3 COMPONENT LIST	
	4 COMPONENT LIST	4 COMPONENT LIST	
	4 COMPONENT LIST	5 COMPONENT LIST	
D			
E			
F			

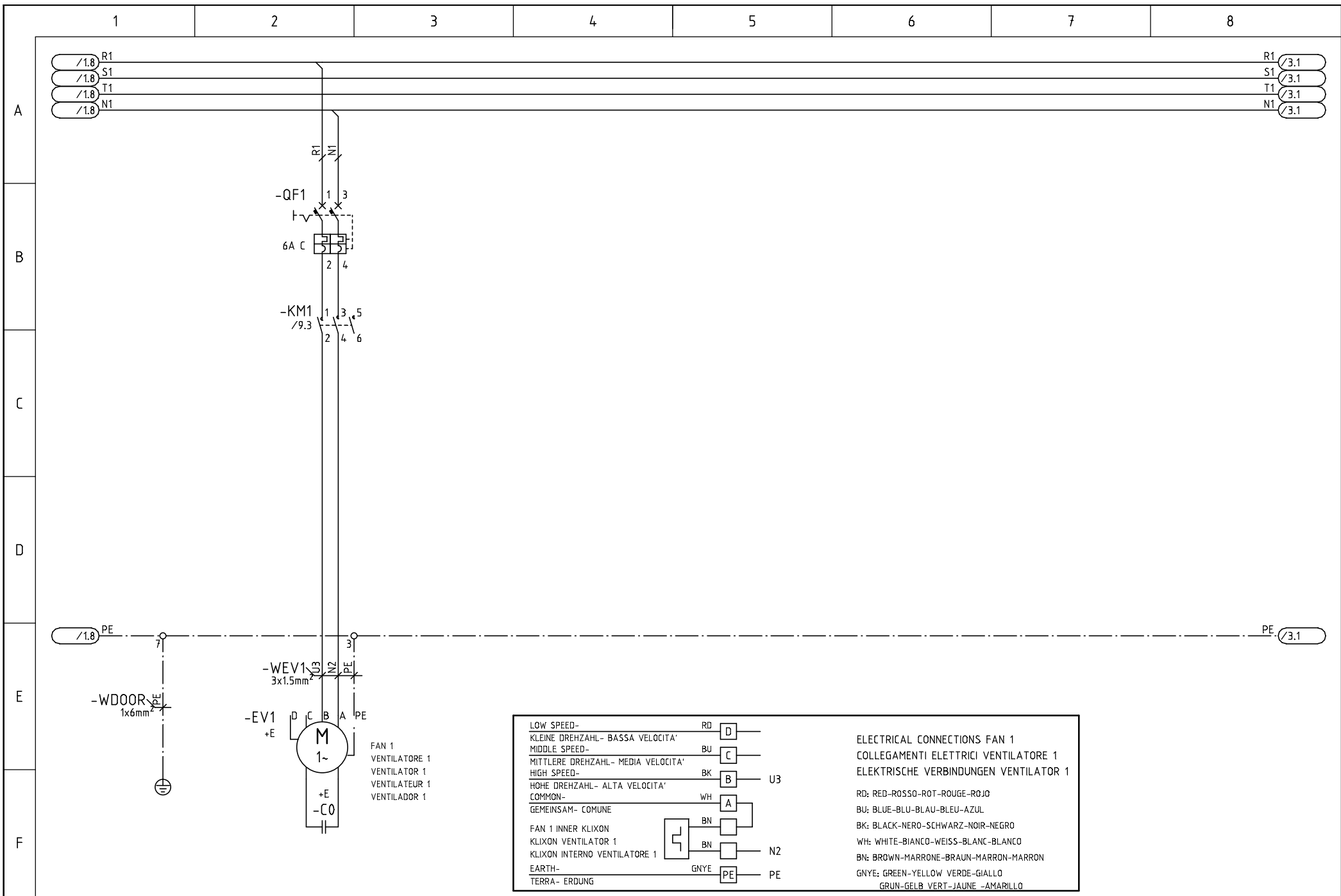
Wire Colour Code	
BLACK	Power
RED	AUXILIARY 24V ac
BLUE	AUXILIARY 48V dc
YELLOW/GREEN	Earth

Reference code: /3 .6  

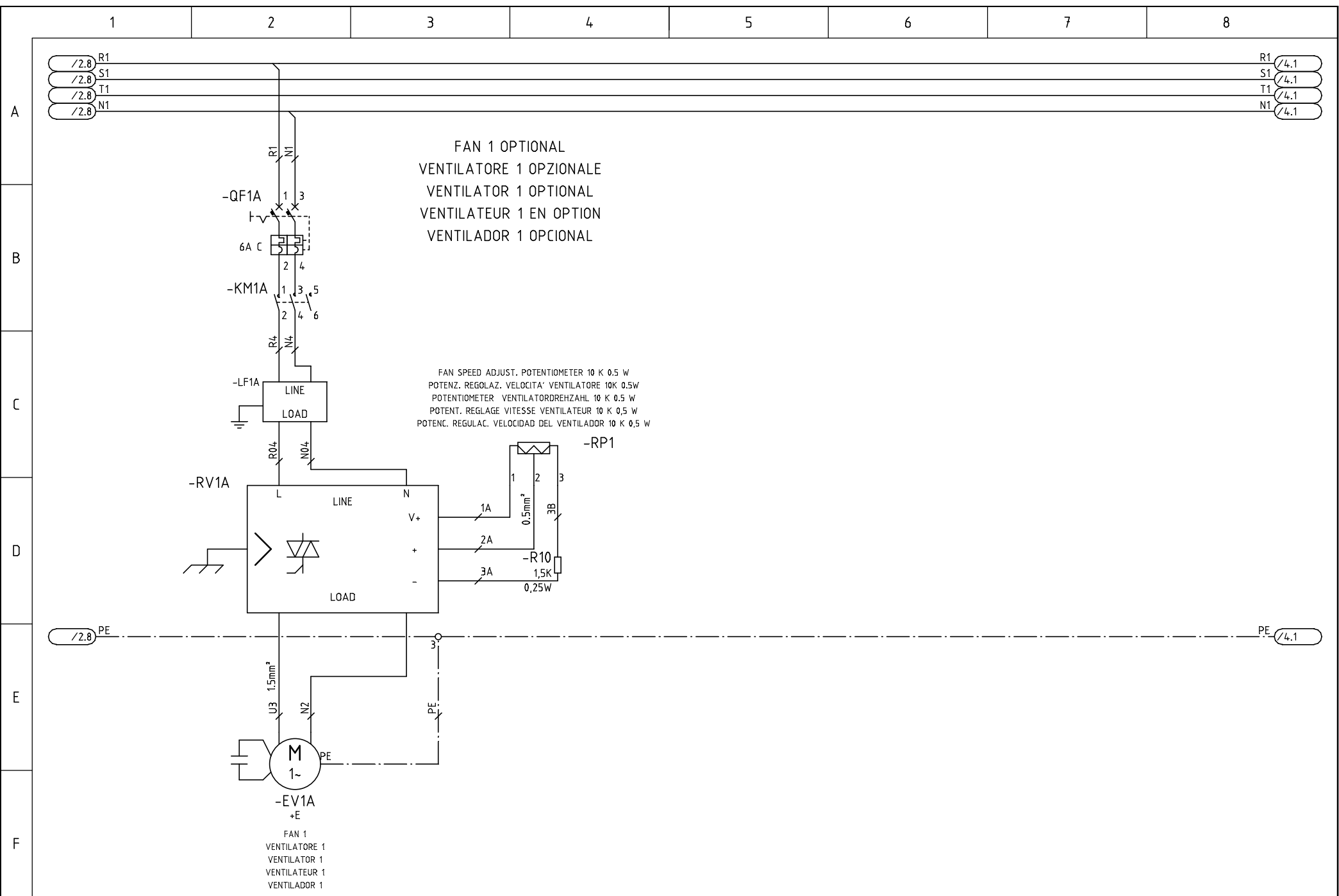
Sheet ←      → Column

Customer:
Order:
Supply:
Auxiliary circuits:
NOTE 1
NOTE 2
NOTE 3

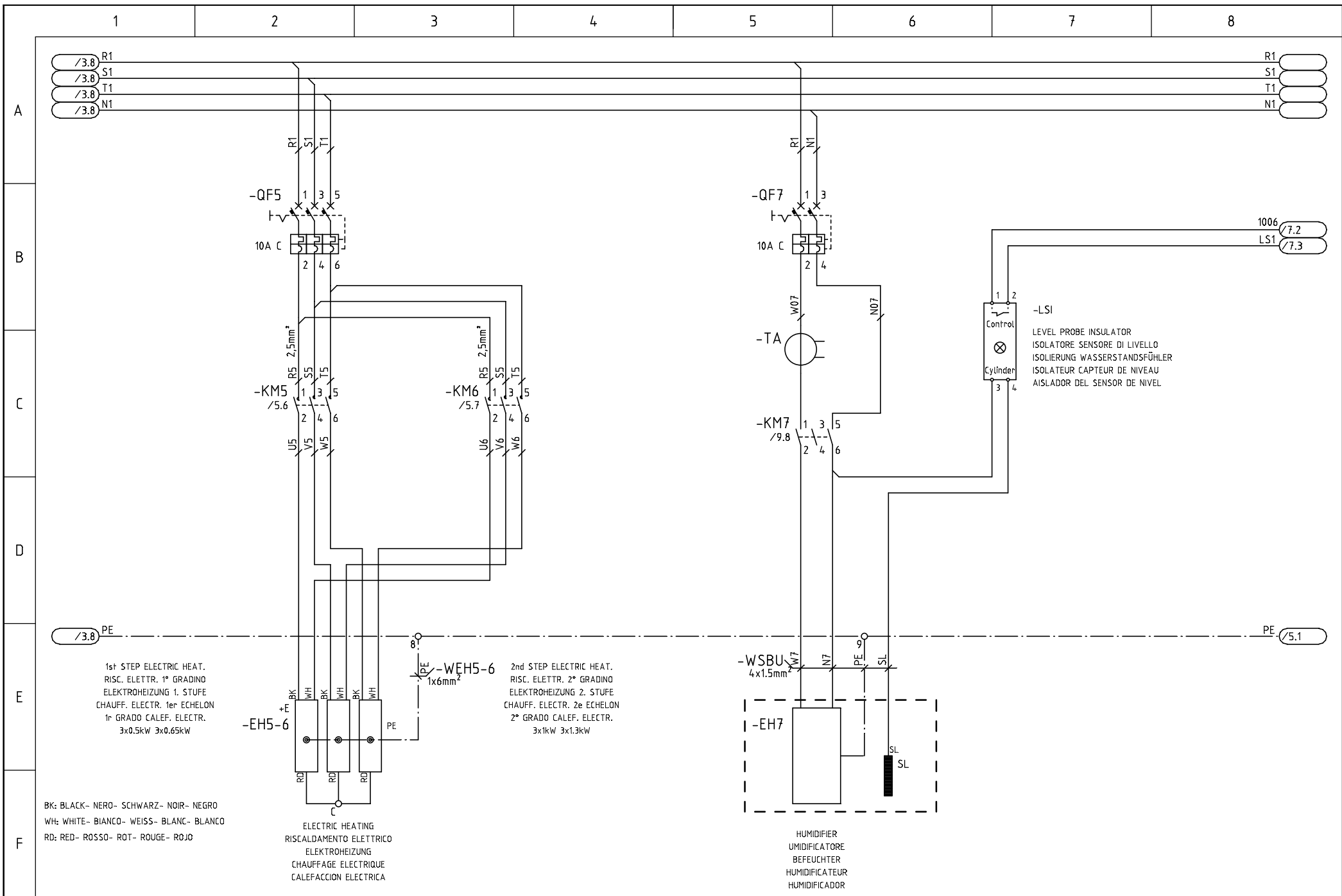




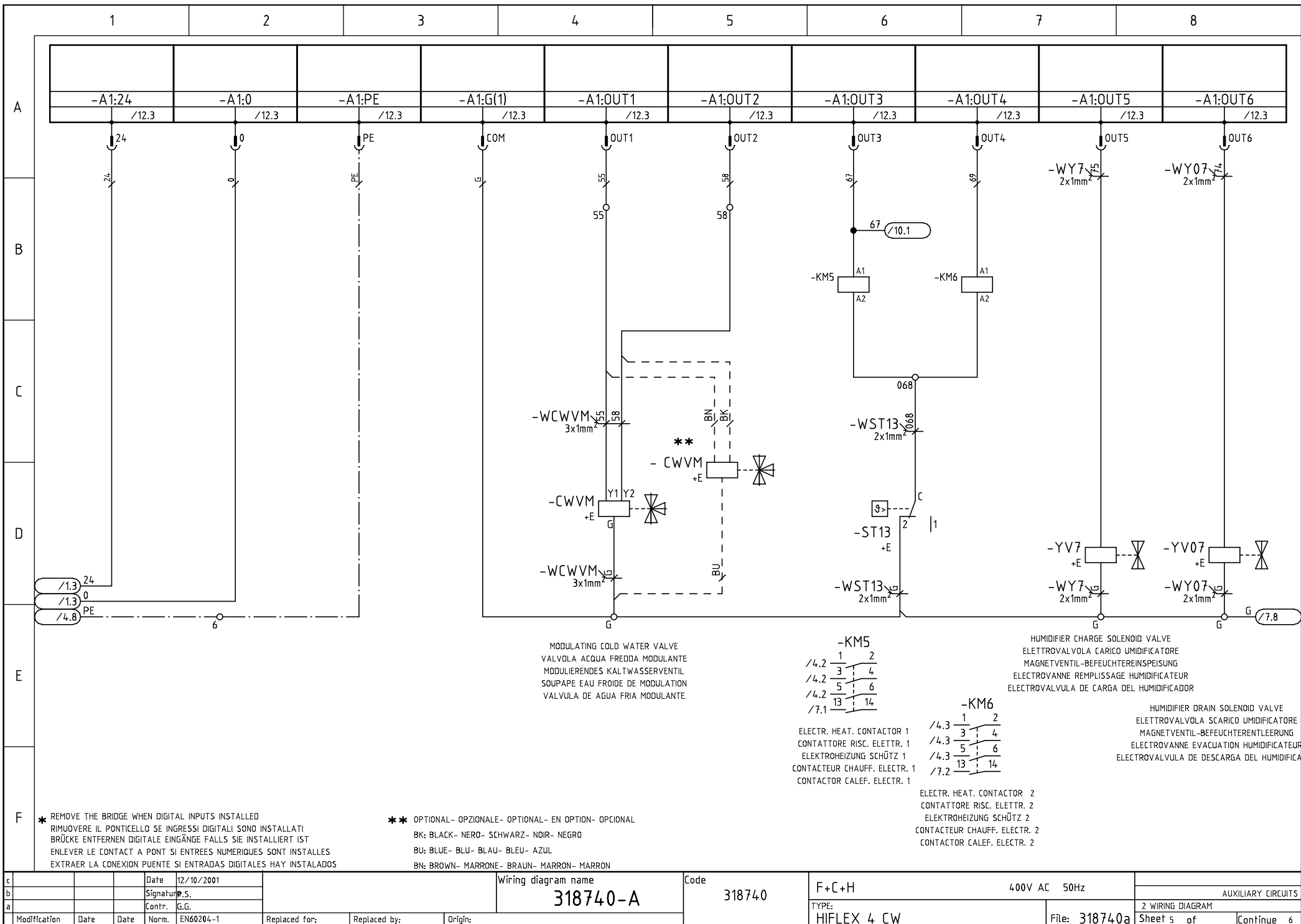
c		Date	12/10/2001	Wiring diagram name	Code	F+C+H	400V AC 50Hz		
b		Signature	P.S.	318740-A	318740			Power	
a		Contr.	G.G.			TYPE:	HIFLEX 4 CW	2 WIRING DIAGRAM	
Modification	Date	Date	Norm.	EN60204-1	Replaced for:	Replaced by:	Origin:	File: 318740a	
								Sheet 2 of	Continue 3



c			Date	12/10/2001	Wiring diagram name	Code	318740	F+C+H	400V AC 50Hz	
b			Signature	P.S.	318740-A					Power
a			Contr.	G.G.				TYPE:	HIFLEX 4 CW	2 WIRING DIAGRAM
Modification	Date	Date	Norm.	EN60204-1	Replaced for:	Replaced by:	Origin:	File:	318740a	Sheet 3 of 4 Continue 4



c		Date	12/10/2001	Wiring diagram name	Code	F+C+H	400V AC 50Hz	
b		Signature	P.S.	318740-A	318740	TYPE: HIFLEX 4 CW	File: 318740a	Power
a		Contr.	G.G.					2 WIRING DIAGRAM
Modification	Date	Date	Norm.	EN60204-1	Replaced for:	Replaced by:	Origin:	Sheet 4 of
								Continue 5



MODULATING COLD WATER VALVE  
 VALVOLA ACQUA FREDDA MODULANTE  
 MODULIERENDES KALTWASSERVENTIL  
 SOUPAPE EAU FROIDE DE MODULATION  
 VALVULA DE AGUA FRIA MODULANTE

**-KM5**  
 /4.2 1 2  
 /4.2 3 4  
 /4.2 5 6  
 /7.1 13 14  
 ELECTR. HEAT. CONTACTOR 1  
 CONTATTORE RISC. ELETR. 1  
 ELEKTROHEIZUNG SCHÜTZ 1  
 CONTACTEUR CHAUFF. ELECTR. 1  
 CONTACTOR CALEF. ELECTR. 1

**-KM6**  
 /4.3 1 2  
 /4.3 3 4  
 /4.3 5 6  
 /7.2 13 14  
 ELECTR. HEAT. CONTACTOR 2  
 CONTATTORE RISC. ELETR. 2  
 ELEKTROHEIZUNG SCHÜTZ 2  
 CONTACTEUR CHAUFF. ELECTR. 2  
 CONTACTOR CALEF. ELECTR. 2

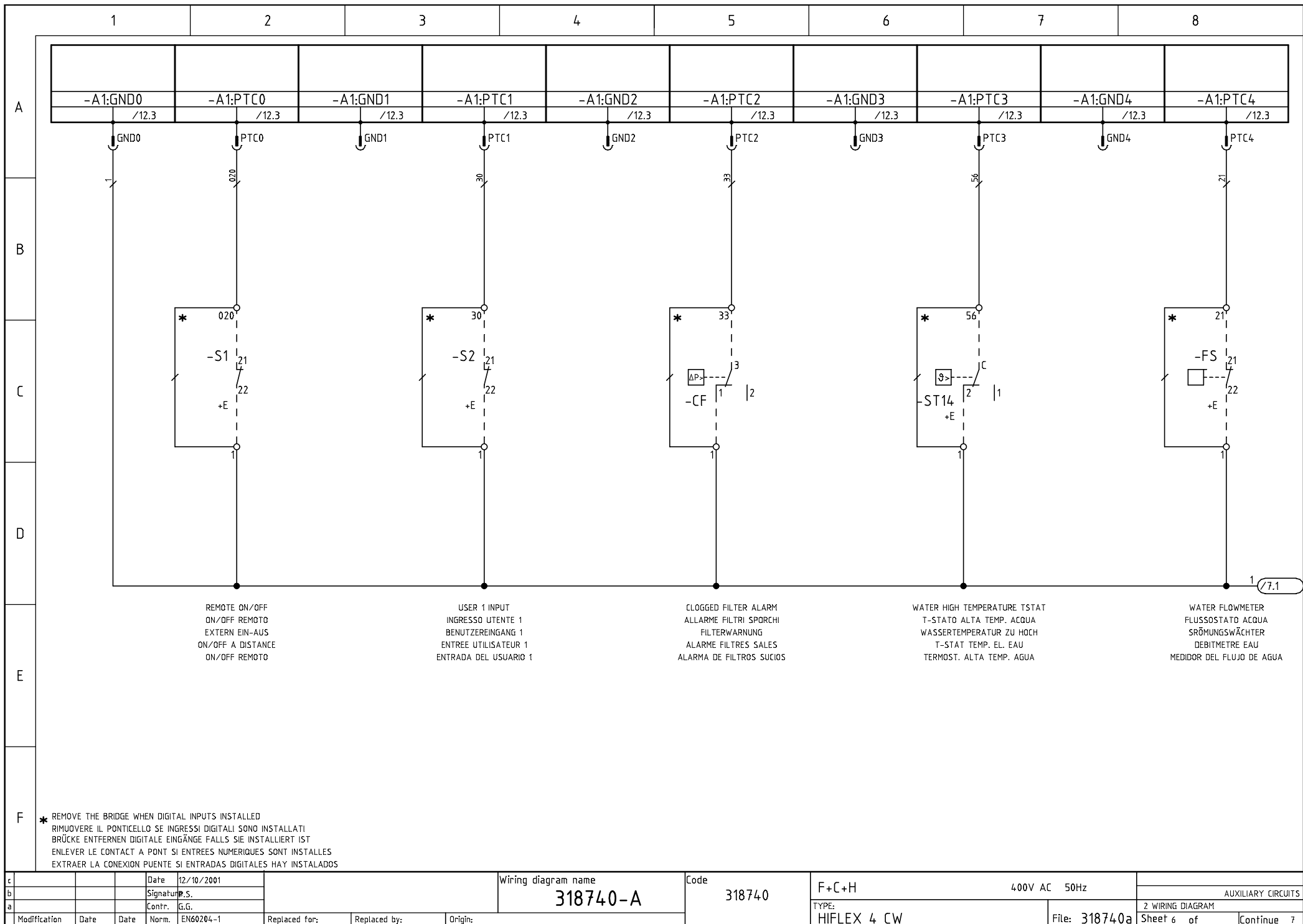
HUMIDIFIER CHARGE SOLENOID VALVE  
 ELETTROVALVOLA CARICO UMIDIFICATORE  
 MAGNETVENTIL-BEFEUCHTEREINSPEISUNG  
 ELECTROVANNE REMPLISSAGE HUMIDIFICATEUR  
 ELECTROVALVULA DE CARGA DEL HUMIDIFICADOR

HUMIDIFIER DRAIN SOLENOID VALVE  
 ELETTROVALVOLA SCARICO UMIDIFICATORE  
 MAGNETVENTIL-BEFEUCHTERENTLEERUNG  
 ELECTROVANNE EVACUATION HUMIDIFICATEUR  
 ELECTROVALVULA DE DESCARGA DEL HUMIDIFICADOR

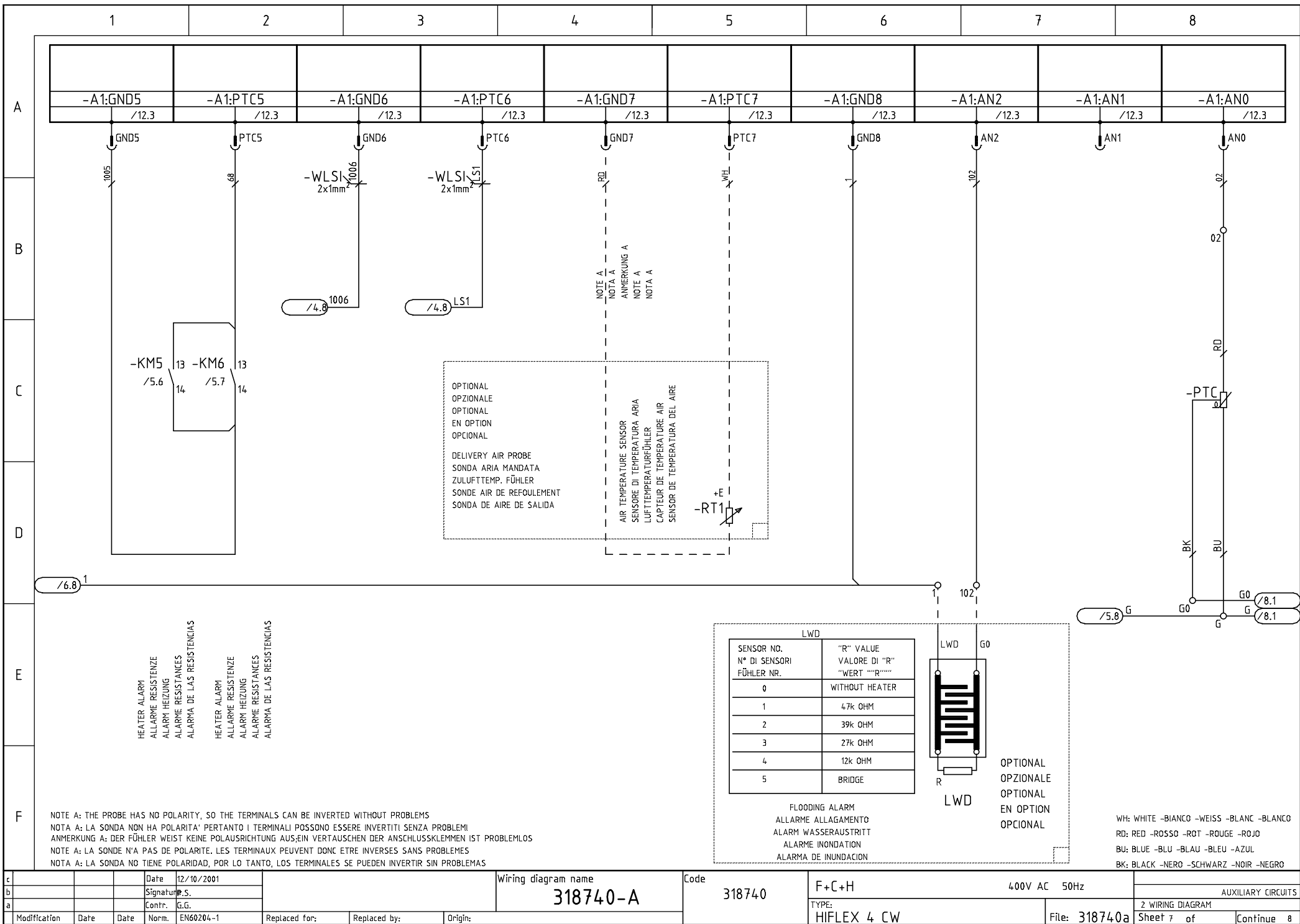
**F** \* REMOVE THE BRIDGE WHEN DIGITAL INPUTS INSTALLED  
 RIMUOVERE IL PONTICELLO SE INGRESSI DIGITALI SONO INSTALLATI  
 BRÜCKE ENTFERNEN DIGITALE EINGÄNGE FALLS SIE INSTALLIERT IST  
 ENLEVER LE CONTACT A PONT SI ENTRÉES NUMÉRIQUES SONT INSTALLÉES  
 EXTRAER LA CONEXION PUENTE SI ENTRADAS DIGITALES HAY INSTALADOS

\*\* OPTIONAL- OPZIONALE- OPTIONAL- EN OPTION- OPCIONAL  
 BK: BLACK- NERO- SCHWARZ- NOIR- NEGRO  
 BU: BLUE- BLU- BLAU- BLEU- AZUL  
 BN: BROWN- MARRONE- BRAUN- MARRON

c	Date	12/10/2001	Wiring diagram name	Code	F+C+H	400V AC 50Hz	AUXILIARY CIRCUITS
b	Signature	P.S.	318740-A	318740			2 WIRING DIAGRAM
a	Contr.	G.G.			HIFLEX 4 CW	File: 318740a	Sheet 5 of Continue 6
Modification	Date	Date	Norm.	EN60204-1	Replaced for:	Replaced by:	Origin:



c		Date	12/10/2001	Wiring diagram name	Code	F+C+H	400V AC 50Hz	
b		Signature	P.S.	<b>318740-A</b>	318740	TYPE: HIFLEX 4 CW	File: 318740a	AUXILIARY CIRCUITS
a		Contr.	G.G.					2 WIRING DIAGRAM
Modification	Date	Date	Norm.	EN60204-1	Replaced for:	Replaced by:	Origin:	Sheet 6 of 7 Continue 7



HEATER ALARM  
 ALLARME RESISTENZE  
 ALARMY HEIZUNG  
 ALARME RESISTANCES  
 ALARMA DE LAS RESISTENCIAS

HEATER ALARM  
 ALLARME RESISTENZE  
 ALARMY HEIZUNG  
 ALARME RESISTANCES  
 ALARMA DE LAS RESISTENCIAS

NOTE A: THE PROBE HAS NO POLARITY, SO THE TERMINALS CAN BE INVERTED WITHOUT PROBLEMS  
 NOTA A: LA SONDA NON HA POLARITA' PERTANTO I TERMINALI POSSONO ESSERE INVERTITI SENZA PROBLEMI  
 ANMERKUNG A: DER FÜHLER WEIST KEINE POLAUSRICHTUNG AUS; EIN VERTAUSCHEN DER ANSCHLUSSKLEMMEN IST PROBLEMLOS  
 NOTE A: LA SONDE N'A PAS DE POLARITE. LES TERMINAUX PEUVENT DONC ETRE INVERSEES SANS PROBLEMES  
 NOTA A: LA SONDA NO TIENE POLARIDAD, POR LO TANTO, LOS TERMINALES SE PUEDEN INVERTIR SIN PROBLEMAS

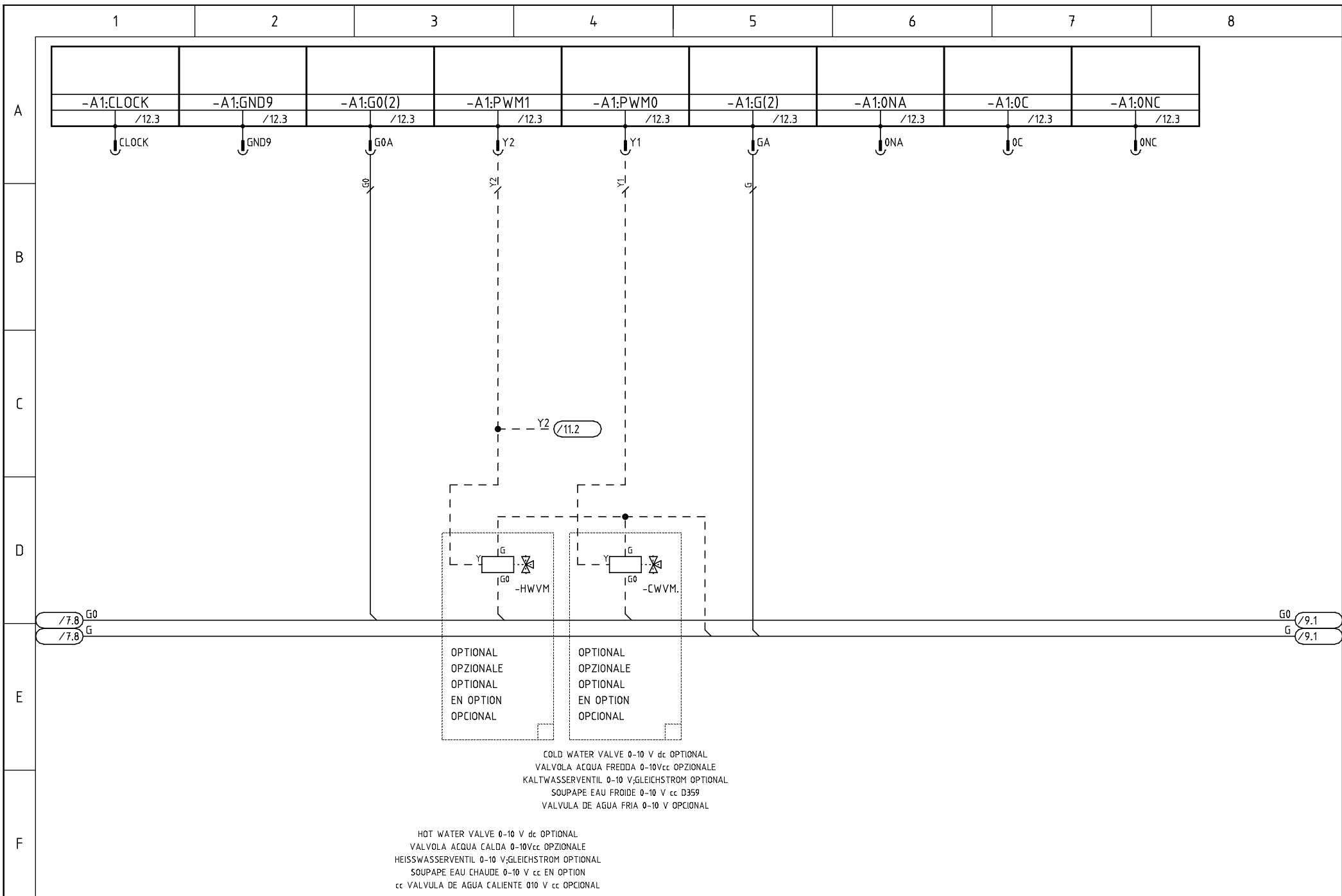
LWD	
SENSOR NO. N° DI SENSORI FÜHLER NR.	"R" VALUE VALORE DI "R" "WERT" "R" "WERT"
0	WITHOUT HEATER
1	47k OHM
2	39k OHM
3	27k OHM
4	12k OHM
5	BRIDGE

FLOODING ALARM  
 ALLARME ALLAGAMENTO  
 ALARM WASSERAUSTRITT  
 ALARME INUNDATION  
 ALARMA DE INUNDACION

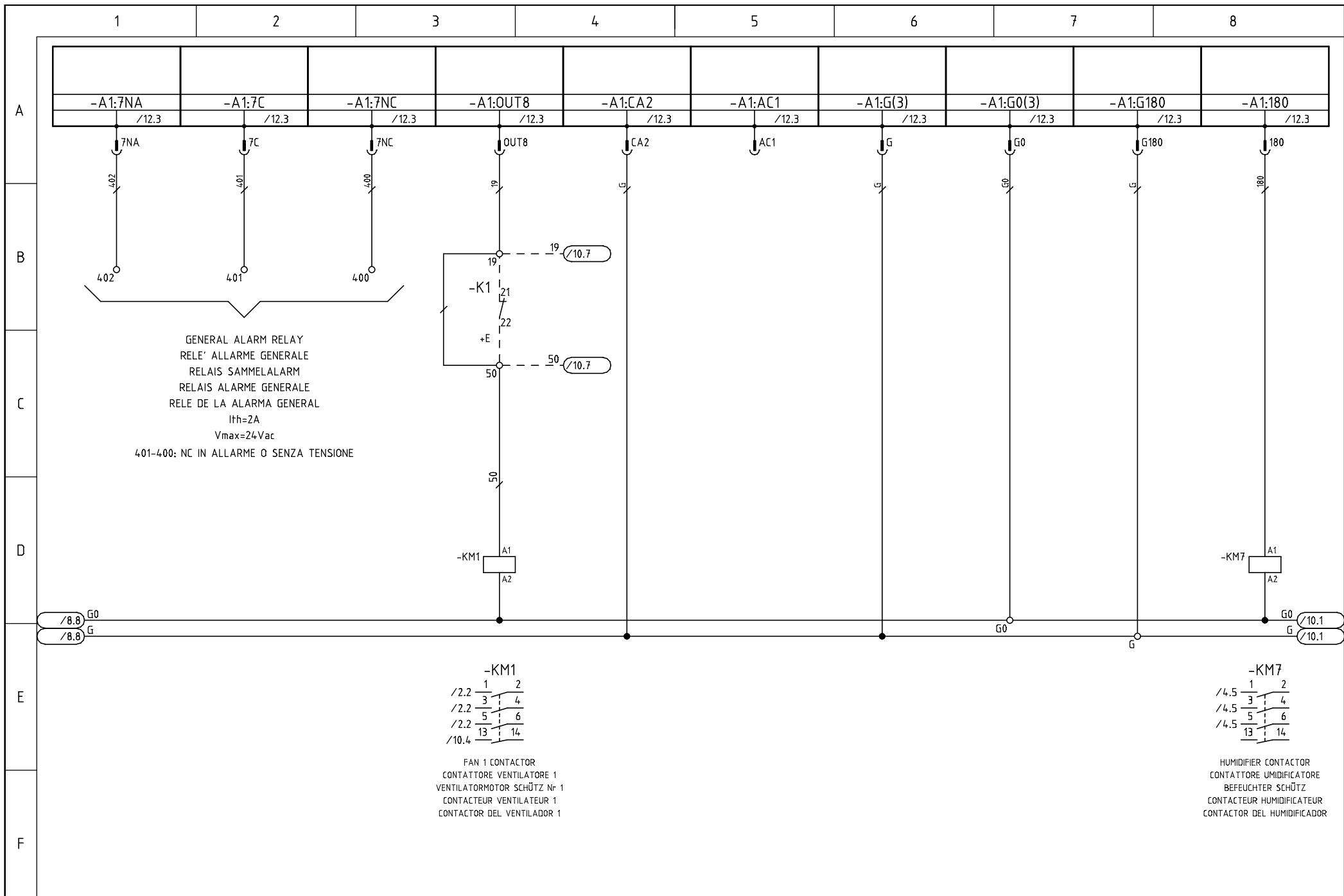
OPTIONAL  
 OPZIONALE  
 EN OPTION  
 OPCIONAL

WH: WHITE -BIANCO -WEISS -BLANC -BLANCO  
 RD: RED -ROSSO -ROT -ROUGE -ROJO  
 BU: BLUE -BLU -BLAU -BLEU -AZUL  
 BK: BLACK -NERO -SCHWARZ -NOIR -NEGRO



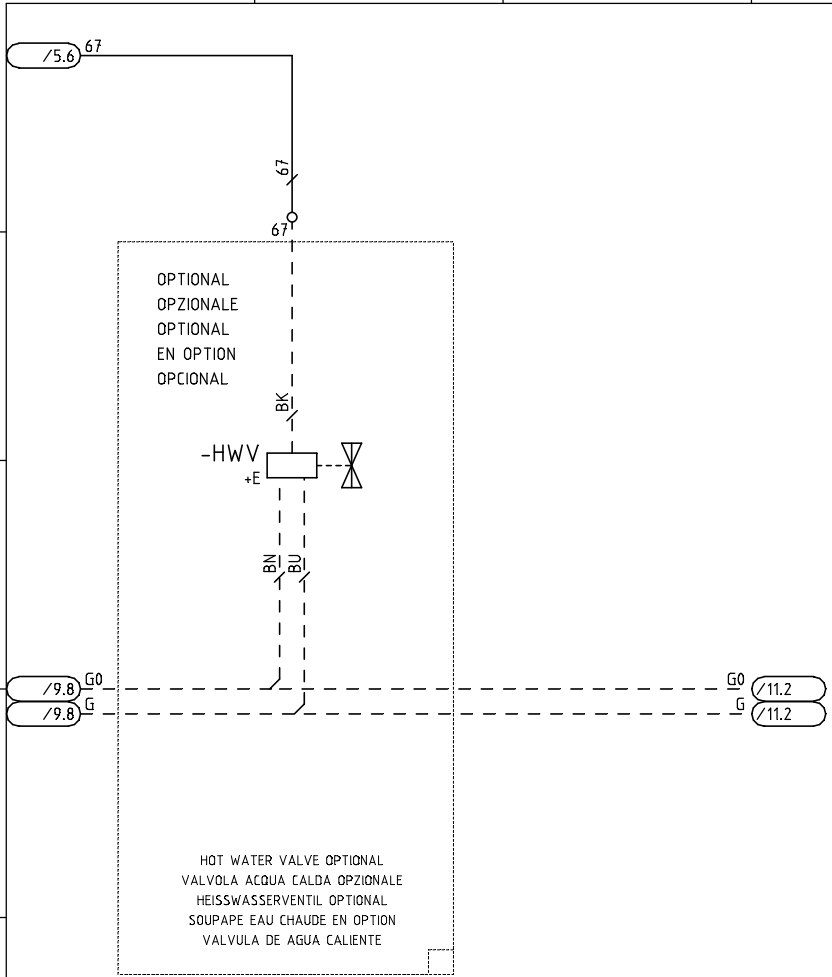


c			Date	12/10/2001	Wiring diagram name	Code	318740	F+C+H	400V AC 50Hz	
b			Signature	P.S.	<b>318740-A</b>					AUXILIARY CIRCUITS
a			Contr.	G.G.						
Modification	Date	Date	Norm.	EN60204-1	Replaced for:	Replaced by:	Origin:			File: 318740a
									Sheet 8 of	Continue 9

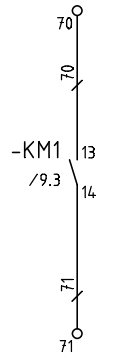


c		Date	12/10/2001	Wiring diagram name	Code	F+C+H	400V AC 50Hz	AUXILIARY CIRCUITS
b		Signature	P.S.	318740-A	318740	TYPE: HIFLEX 4 CW	File: 318740a	2 WIRING DIAGRAM
a		Contr.	G.G.					
	Modification	Date	Date	Norm.	EN60204-1	Replaced for:	Replaced by:	Origin:
							Sheet 9 of	Continue 10

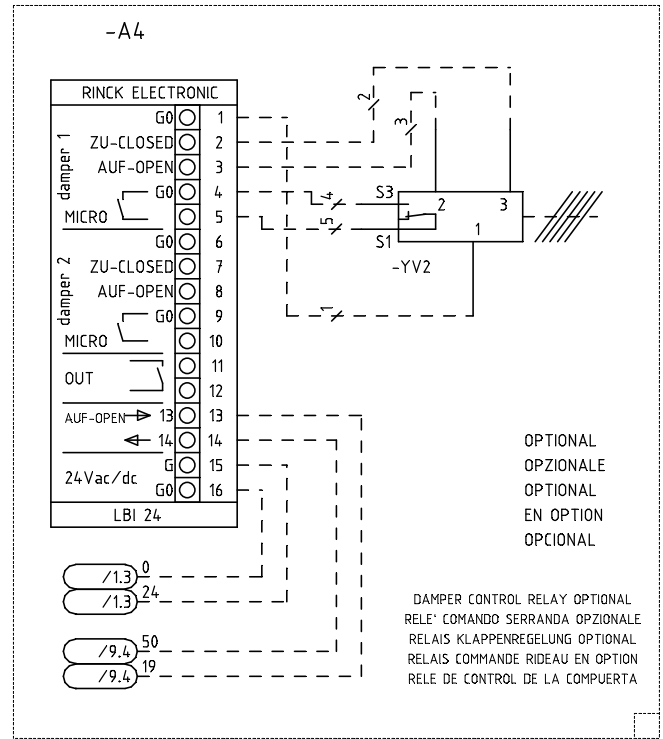
A  
B  
C  
D  
E  
F



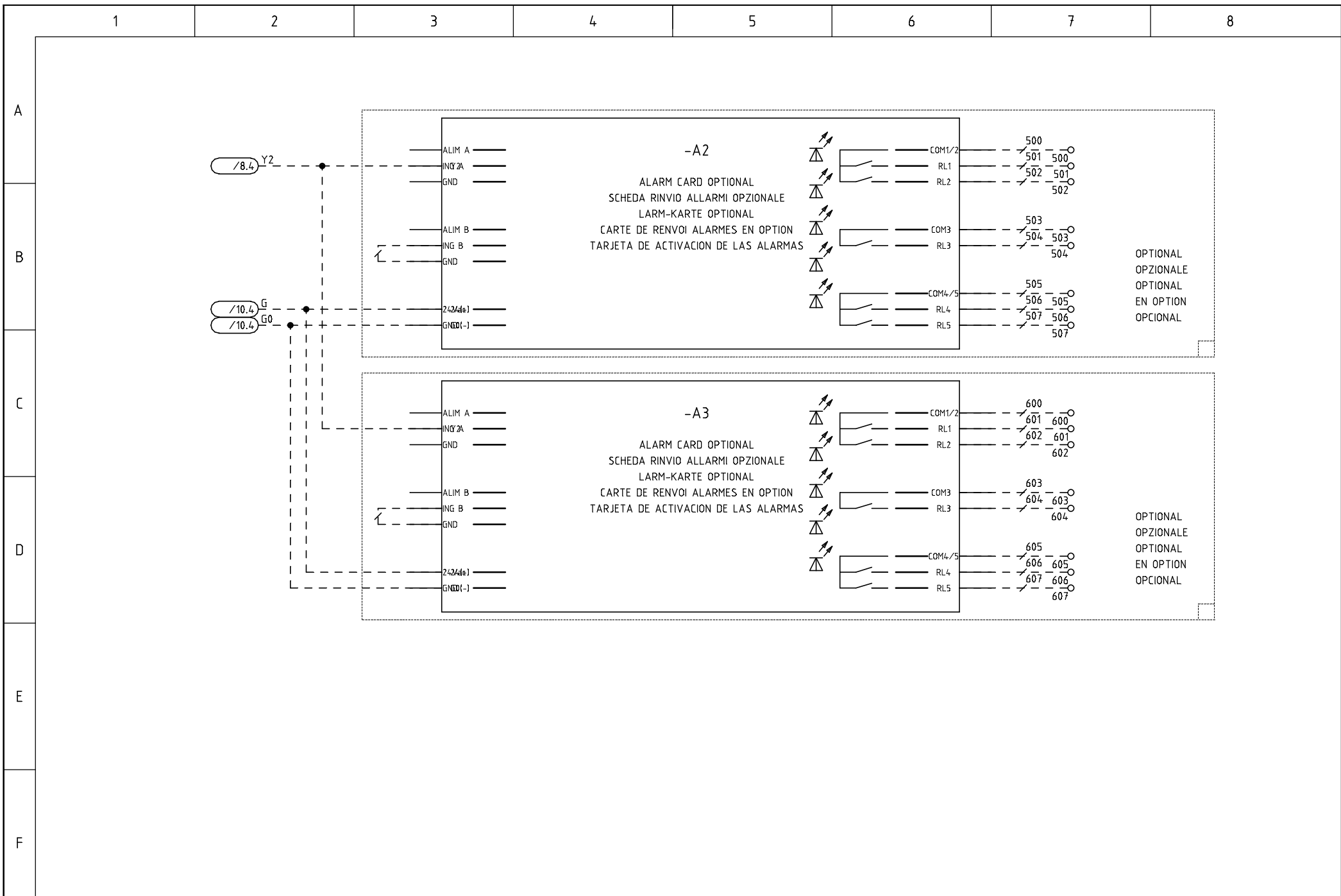
REMOTE SIGNAL CLEAN CONTACTS  
CONTATTI PULITI SEGNALAZIONI REMOTE  
FREIE KONTAKTE FÜR BETRIEBSMELDUNGEN  
CONTACTS PROPRES SIGNALISATIONS A DISTANCE  
CONTACTOS LIMPIOS CON SEÑALIZACIONES REMOTAS



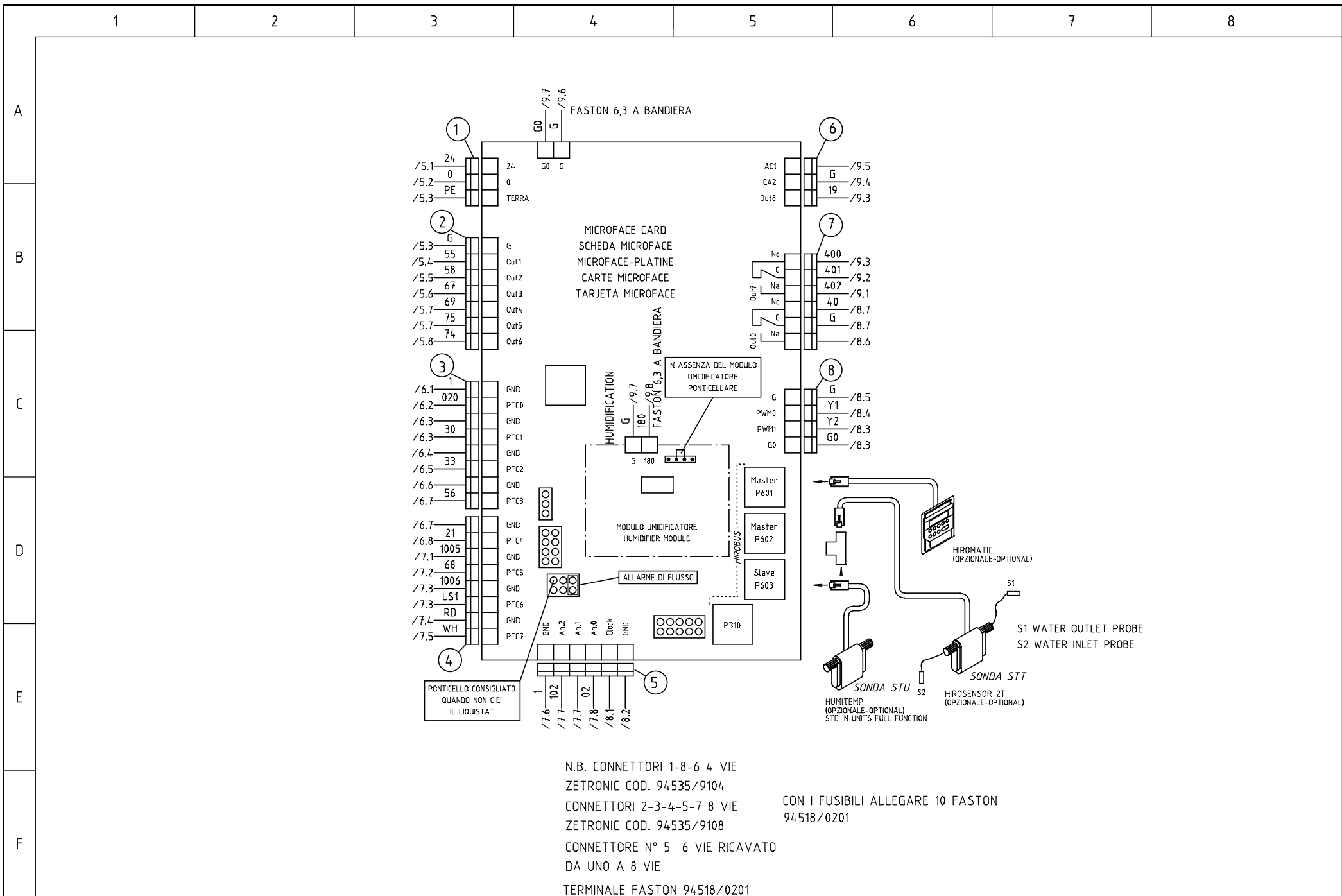
FAN START  
MARCIA VENTILATORE  
VENTILA TORBETRIEB  
MARCHE VENTILATEUR  
FUNCIONAMIENTO DEL VENTILADOR



BK: BLACK- NERO- SCHWARZ- NOIR- NEGRO  
BU: BLUE- BLU- BLAU- BLEU- AZUL  
BN: BROWN- MARRONE- BRAUN- MARRON- MARRON



c		Date	12/10/2001	Wiring diagram name	Code	F+C+H	400V AC 50Hz	AUXILIARY CIRCUITS	
b		Signature	P.S.	318740-A	318740				
a		Contr.	G.G.			TYPE:	HIFLEX 4 CW	2 WIRING DIAGRAM	
Modification	Date	Date	Norm.	EN60204-1	Replaced for:	Replaced by:	Origin:	File: 318740a	
								Sheet 11 of	Continue 12



N.B. CONNETTORI 1-8-6 4 VIE  
 ZETRONIC COD. 94535/9104  
 CONNETTORI 2-3-4-5-7 8 VIE  
 ZETRONIC COD. 94535/9108  
 CONNETTORE N° 5 6 VIE RICAVATO  
 DA UNO A 8 VIE  
 TERMINALE FASTON 94518/0201

CON I FUSIBILI ALLEGARE 10 FASTON  
 94518/0201

c		Date	12/10/2001	Wiring diagram name	Code	F+C+H	400V AC 50Hz	AUXILIARY CIRCUITS
b		Signature	P.S.	318740-A	318740	TYPE: HIFLEX 4 CW	File: 318740a	2 WIRING DIAGRAM
a		Contr.	G.G.					Sheet 12 of
Modification	Date	Date	Norm.	EN60204-1	Replaced for:	Replaced by:	Origin:	

1

2

3

4

5

6

7

8

A

B

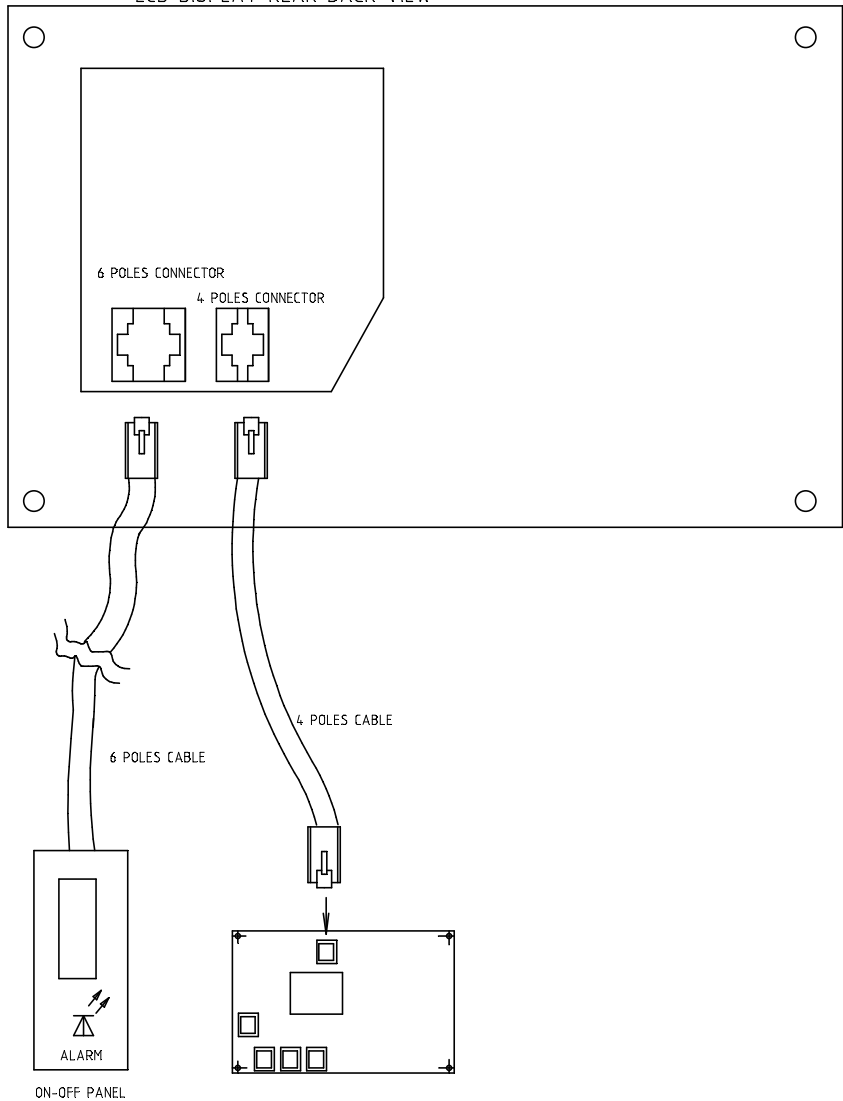
C

D

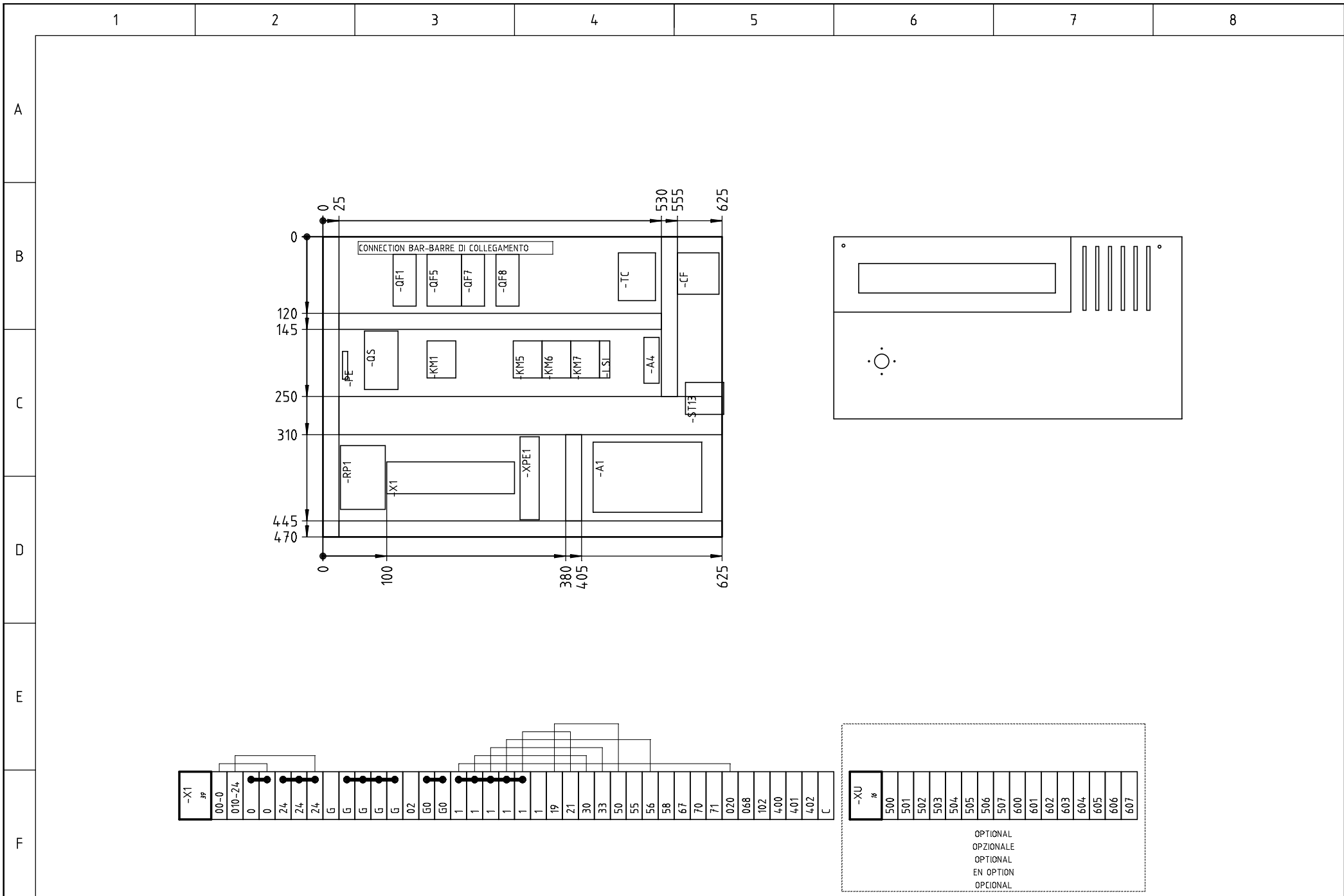
E

F

LCD DISPLAY REAR BACK VIEW



ON-OFF PANEL	
LED COLOR	AIR COND. UNIT STATUS
GREEN ON	UNIT OPERATING
RED ON	UNIT IN ALARM
GREEN FLASHING	UNIT IN STAND-BY
ORANGE ON	UNIT POWERED BUT NOT OPERATING



c		Date	12/10/2001	Wiring diagram name	Code	F+C+H	400V AC 50Hz	
b		Signature	P.S.	318740-A	318740			LAYOUT
a		Contr.	G.G.			TYPE:		3 LAYOUT
	Modification	Date	Norm.	Replaced for:	Replaced by:	Origin:	File: 318740a	Sheet 2 of
			EN60204-1					Continue

1		2		3		4		5		6		7		8	
QUANTITY	ARTICLE CODE	DESCRIPTION				TECHNICAL DATA				CATALOGUE NO.	IDENTIFIER	RE.	MANUFACTURER	Code	
A	25	CAPACITOR CONDENSATORE KONDENSATOR CONDENSEUR									-C0	/2.2			
		MODULATING COLD WATER VALVE VALVOLA ACQUA FREDDA MODULANTE MODULIERENDES KALTWASSERVENTIL SOUPAPE EAU FROIDE DE MODULATION VALVULA DE AGUA FRIA MODULANTE									-CWVM	/5.4			
B		ELECTRIC HEATING RISCALDAMENTO ELETTRICO ELEKTROHEIZUNG CHAUFFAGE ELECTRIQUE CALEFACCION ELECTRICA									-EH5-6	/4.2			
		HUMIDIFIER UMIDIFICATORE BEFEUCHTER HUMIDIFICATEUR HUMIDIFICADOR									-EH7	/4.5			
C		FAN 1 VENTILATORE 1 VENTILATOR 1 VENTILATEUR 1 VENTILADOR 1									-EV1	/2.2			
		FAN 1 VENTILATORE 1 VENTILATOR 1 VENTILATEUR 1 VENTILADOR 1									-EV1A	/3.2			
D		WATER FLOWMETER FLUSSOSTATO ACQUA SRÖMUNGSWÄCHTER DEBITMETRE EAU MEDIDOR DEL FLUJO DE AGUA									-FS	/6.8			
		HOT WATER VALVE OPTIONAL VALVOLA ACQUA CALDA OPZIONALE HEISSWASSERVENTIL OPTIONAL SOUPAPE EAU CHAUDE EN OPTION VALVULA DE AGUA CALIENTE									-HWV	/10.2			
E		HOT WATER VALVE 0-10 V dc OPTIONAL VALVOLA ACQUA CALDA 0-10Vcc OPZIONALE HEISSWASSERVENTIL 0-10 V;GLEICHSTROM OPTIONAL SOUPAPE EAU CHAUDE 0-10 V cc EN OPTION cc VALVULA DE AGUA CALIENTE 010 V cc OPCIONAL									-HWVM	/8.3			
		FROM ANTI-FIRE ALARM DA ALLARME ANTINCENDIO VON FEUERALARME DEPUIS L'ALARME DE PROTECTION CONTRE LES INCENDIES DE ALARMA ANTIINCENDIO									-K1	/9.3			
F															
c		Date	12/10/2001	Wiring diagram name				Code	318740	F+C+H		400V AC	50Hz	COMPONENT LIST	
b		Signature	P.S.	318740-A											
a		Contr.	G.G.							TYPE:		HIFLEX 4 CW		File: 318740a	4 COMPONENT LIST
Modification	Date	Date	Norm.	EN60204-1	Replaced for:	Replaced by:	Origin:							Sheet 1 of	Continue 2



1		2		3		4		5		6		7		8	
QUANTITY	ARTICLE CODE	DESCRIPTION				TECHNICAL DATA				CATALOGUE NO.	IDENTIFIER	RE.	MANUFACTURER	Code	
A		AIR TEMPERATURE SENSOR SENSORE DI TEMPERATURA ARIA LUFTTEMPERATURFÜHLER CAPTEUR DE TEMPERATURE AIR SENSOR DE TEMPERATURA DEL AIRE									-RT1	/7.5			
		REMOTE ON/OFF ON/OFF REMOTO EXTERN EIN-AUS ON/OFF A DISTANCE ON/OFF REMOTO									-S1	/6.2			
B		USER 1 INPUT INGRESSO UTENTE 1 BENUTZEREINGANG 1 ENTREE UTILISATEUR 1 ENTRADA DEL USUARIO 1									-S2	/6.3			
		LEVEL PROBE SENSORE DI LIVELLO WASSERSTANDSFÜHLER CAPTEUR DE NIVEAU SENSOR DE NIVEL									-SL	/4.6			
C		ELECTR. HEAT. SAFETY THERMOSTAT THERMOST. SIC. RESIST. ELETTRICHE SICHERUNGSTHERMOSTAT ELEKTROHEIZUNG THERMOST. SEC. RESIST. ELECTRIQUES THERMOST. SEG. RESIST. ELECTRICAS									-ST13	/5.6			
		WATER HIGH TEMPERATURE TSTAT T-STATO ALTA TEMP. ACQUA WASSERTEMPERATUR ZU HOCH T-STAT TEMP. EL. EAU THERMOST. ALTA TEMP. AGUA									-ST14	/6.7			
D		HUMIDIFIER CHARGE SOLENOID VALVE ELETTROVALVOLA CARICO UMIDIFICATORE MAGNETVENTIL-BEFEUCHTEREINSPEISUNG ELECTROVANNE REPLISSAGE HUMIDIFICATEUR ELECTROVALVULA DE CARGA DEL HUMIDIFICADOR									-YV7	/5.7			
		HUMIDIFIER DRAIN SOLENOID VALVE ELETTROVALVOLA SCARICO UMIDIFICATORE MAGNETVENTIL-BEFEUCHTERENTLEERUNG ELECTROVANNE EVACUATION HUMIDIFICATEUR ELECTROVALVULA DE DESCARGA DEL HUMIDIFICADOR									-YV07	/5.8			
E		MICROFACE CARD SCHEMA MICROFACE MICROFACE-PLATINE CARTE MICROFACE TARJETA MICROFACE									-A1	/12.3			
		ALARM CARD OPTIONAL SCHEMA RINVIO ALLARMI OPZIONALE LARM-KARTE OPTIONAL CARTE DE RENVOI ALARMES EN OPTION TARJETA DE ACTIVACION DE LAS ALARMAS									-A2	/11.3			
F															

c		Date	12/10/2001	Wiring diagram name			Code	F+C+H			400V AC	50Hz	COMPONENT LIST		
b		Signature	P.S.	318740-A			318740								
a		Contr.	G.G.					TYPE:			4 COMPONENT LIST				
Modification	Date	Date	Norm.	EN60204-1	Replaced for:	Replaced by:	Origin:	HIFLEX 4 CW			File:	318740a	Sheet 2 of	Continue 3	

1		2		3		4		5		6		7		8		
QUANTITY	ARTICLE CODE	DESCRIPTION				TECHNICAL DATA				CATALOGUE NO.	IDENTIFIER	RE.	MANUFACTURER	Code		
A		ALARM CARD OPTIONAL SCHEDE RINVIO ALLARMI OPZIONALE LARM-KARTE OPTIONAL CARTE DE RENVOI ALARMES EN OPTION TARJETA DE ACTIVACION DE LAS ALARMAS									-A3	/11.3				
		CLOGGED FILTER ALARM ALLARME FILTRI SPORCHI FILTERWARNUNG ALARME FILTRES SALES ALARMA DE FILTROS SUCIOS									-CF	/6.5				
B		AIR FLOW SENSOR SENSORE FLUSSO ARIA LUFTSTROMFÜHLER CAPTEUR FLUX D'AIR SENSOR DEL FLUJO DE AIRE									-PTC	/7.8				
		HUMIDIFIER CURRENT TRANSFORMER TRASFORMATORE DI CORRENTE UMIDIFICATORE STROMWANDLER BEFEUCHTER TRANSFORMATEUR DE COURANT HUMIDIFICATEUR TRANSFORMADOR DE CORRIENTE DEL HUMIDIFICADOR									-TA	/4.6				
C		DAMPER MOTOR OPTIONAL MOTORE SERRANDA OPZIONALE KLAPPENSTELLMOTOR OPTIONAL MOTEUR RIDEAU EN OPTION MOTOR DE LA COMPUERTA									-YV2	/10.8				
	1	B84112-B-B110 10A	ANTI-NOISE FILTER FILTRO ANTIDISTURBO ENTSTÖRFILTER FILTRE ANTIBROUILLAGE FILTRO ELIMINADOR DE INTERFERENCIAS				B84112-B-B110		B84112-B-B110 10A			-LF1A	/3.2	Siemens	254657	
D	1	LBI 24	DAMPER CONTROL RELAY OPTIONAL RELE' COMANDO SERRANDA OPZIONALE RELAIS KLAPPENREGELUNG OPTIONAL RELAIS COMMANDE RIDEAU EN OPTION RELE DE CONTROL DE LA COMPUERTA				LBI 24		LBI 24			-A4	/10.6	RINCK ELECTRONIC	255197	
	E	4	LC1K0610B72	FAN 1 CONTACTOR CONTATTORE VENTILATORE 1 VENTILATORMOTOR SCHÜTZ Nr 1 CONTACTEUR VENTILATEUR 1 CONTACTOR DEL VENTILADOR 1				24V AC 50/60Hz, 1NA		LC1K0610B72 LS07.10 24			-KM1	/9.3	TELEMECANIQUE AEG	
			ELECTR. HEAT. CONTACTOR 1 CONTATTORE RISC. ELETTR. 1 ELEKTROHEIZUNG SCHÜTZ 1 CONTACTEUR CHAUFF. ELECTR. 1 CONTACTOR CALEF. ELECTR. 1				24V AC 50/60Hz, 1NA		LC1K0610B72 LS07.10 24			-KM5	/5.6	TELEMECANIQUE AEG		
			ELECTR. HEAT. CONTACTOR 2 CONTATTORE RISC. ELETTR. 2 ELEKTROHEIZUNG SCHÜTZ 2 CONTACTEUR CHAUFF. ELECTR. 2 CONTACTOR CALEF. ELECTR. 2				24V AC 50/60Hz, 1NA		LC1K0610B72 LS07.10 24			-KM6	/5.7	TELEMECANIQUE AEG		
F																
c			Date	12/10/2001	Wiring diagram name				Code	F+C+H		400V AC	50Hz			
b			Signature	P.S.	318740-A				318740					COMPONENT LIST		
a			Contr.	G.G.						TYPE:		HIFLEX 4 CW		File: 318740a	4 COMPONENT LIST	
	Modification	Date	Date	Norm.	EN60204-1	Replaced for:	Replaced by:	Origin:					Sheet 3 of	Continue 4		

1		2		3		4		5		6		7		8		
QUANTITY	ARTICLE CODE	DESCRIPTION				TECHNICAL DATA				CATALOGUE NO.	IDENTIFIER	RE.	MANUFACTURER	Code		
		HUMIDIFIER CONTACTOR CONTATTORE UMIDIFICATORE BEFEUCHTER SCHÜTZ CONTACTEUR HUMIDIFICATEUR CONTACTOR DEL HUMIDIFICADOR				24V AC 50/60Hz, 1NA				LC1K0610B72 LS07.10 24	-KM7	/9.8	TELEMECANIQUE AEG			
A	1	LSI	LEVEL PROBE INSULATOR ISOLATORE SENSORE DI LIVELLO ISOLIERUNG WASSERSTANDSFÜHLER ISOLATEUR CAPTEUR DE NIVEAU AISLADOR DEL SENSOR DE NIVEL				LSI				275905	-LSI	/4.7	HIROSS	275905	
	1	LWD	FLOODING ALARM ALLARME ALLAGAMENTO ALARM WASSERAUSTRITT ALARME INONDATION ALARMA DE INUNDACION				LWD					-R	/7.6	HIROSS	275180	
B	1	MKPC44/2	CAPACITOR CONDENSATORE KONDENSATOR CONDENSEUR				MKPC44/2				MKPC44/2	-C1	/1.3	ARCOTRONICS	254324	
	1	OHY2AJ 19501	MAIN SWITCH INTERRUTTORE GENERALE HAUPTSCHALTER INTERRUPTEUR GENERAL INTERRUPTOR GENERAL				OHY2AJ				OHY2AJ 19501	-QS	/1.1	ABB TECHNOELECTRIC	256994	
C	1	OT45E4 TK63A 4P	MAIN SWITCH INTERRUTTORE GENERALE HAUPTSCHALTER INTERRUPTEUR GENERAL INTERRUPTOR GENERAL				OT45E4				OT45E4 TK63A 4P	-QS	/1.1	ABB TECHNOELECTRIC		
	1	RESISTENZA 1,5K/0,25W	RESISTOR RESISTENZA WIDERSTAND RESISTANCE				1,5K Toll. 1%					-R10	/3.4		255214	
D	1	RGF30838B0 CE 8A	FAN SPEED ADJUSTER REGOLATORE DI VELOCITA' VENTILATORE DREHZAHLREGLER VENTILATOR REGULATEUR DE VITESSE VENTILATEUR REGULADOR DE VELOCIDAD DEL VENTILADOR				RGF30838B0 CE 8A				RGF30838B0 CE 8A	-RV1A	/3.2	SELPRO	354432	
E	1	RGFPB10340XX00	FAN SPEED ADJUST. POTENTIOMETER 10 K 0.5 W POTENZ. REGOLAZ. VELOCITA' VENTILATORE 10K 0.5W POTENTIOMETER VENTILATORDREHZAHL 10 K 0.5 W POTENT. REGLAGE VITESSE VENTILATEUR 10 K 0.5 W POTENC. REGULAC. VELOCIDAD DEL VENTILADOR 10 K 0,5 W				RGFPB10340XX00				RGFPB10340XX00	-RP1	/3.4	SELPRO	275310	
	1	51TMA53	TRANSFORMER TRASFORMATORE TRANSFORMATOR TRANSFORMATEUR TRANSFORMADOR				130VA				51TMA53	-TC	/1.3	MARINI		
F																
c			Date	12/10/2001	Wiring diagram name				Code	F+C+H		400V AC	50Hz	COMPONENT LIST		
b			Signature	P.S.	318740-A				318740							
a			Contr.	G.G.						TYPE:		HIFLEX 4 CW		File: 318740a	4 COMPONENT LIST	
	Modification	Date	Date	Norm.	EN60204-1	Replaced for:	Replaced by:	Origin:					Sheet 4 of	Continue 5		

1		2		3		4		5		6		7		8		
QUANTITY	ARTICLE CODE	DESCRIPTION				TECHNICAL DATA			CATALOGUE NO.	IDENTIFIER	RE.	MANUFACTURER	Code			
A	3	24267 E82 C 6A	FAN AUTOMATIC SWITCH INTERRUTTORE AUTOM. VENTILATORE AUTOM. VENTILATORSCHALTER INTERRUPTEUR AUTOM. VENTILATEUR INTERRUPTOR AUTOM. VENTILADOR				6A 6KA "C"			24267 E82 C 6A	-QF1	/2.2	MERLIN GERIN AEG	256515 255048		
		E82 C 6A	FAN AUTOMATIC SWITCH INTERRUTTORE AUTOM. VENTILATORE AUTOM. VENTILATORSCHALTER INTERRUPTEUR AUTOM. VENTILATEUR INTERRUPTOR AUTOM. VENTILADOR				6A 6KA "C"			24267 E82 C 6A	-QF1A	/3.2	MERLIN GERIN AEG	256515 255048		
B		E82 C 6A	TRANSF. AUTOMATIC SWITCH INTERR. AUTOMATICO TRASFORMATORE AUTOMATIK-SCHALTER INTERR. AUTOMATIQUE TRANSFORMATEUR INTERR. AUTOMATICO DEL TRANSFORMADOR				6A 6KA "C"			24267 E82 C 6A	-QF8	/1.3	MERLIN GERIN AEG	256515 255048		
	1	24268 E82 C10	HUMIDIFIER AUTOM. SWITCH INTERR. AUTOM. UMIDIFICATORE AUTOM. SCHALTER BEFEUCHTER INTERRUPTEUR AUTOM. HUMIDIFICATEUR INTERRUPTOR AUTOM. HUMIDIFICADOR				10A 6KA "C"			24268 E82 C10	-QF7	/4.5	MERLIN GERIN AEG	256516 255067		
C	1	24282 E83 C 10 6KA	HEATER AUTOM. SWITCH INTERR. AUTOM. RESISTENZE AUTOM. SCHALTER HEIZUNG INTERRUPTEUR AUTOM. RESISTANCES INTERRUPTOR AUTOM. RESISTENCIAS				10A 6KA "C"			24282 E83 C 10 6KA	-QF5	/4.2	MERLIN GERIN AEG	256516 255073		
D																
E																
F																

c			Date	12/10/2001	Wiring diagram name			Code	F+C+H			400V AC	50Hz	COMPONENT LIST			
b			Signature	P.S.	318740-A			318740									
a			Contr.	G.G.					TYPE:			HIFLEX 4 CW		File: 318740a	4 COMPONENT LIST	Sheet 5 of	Continue
Modification	Date	Date	Norm.	EN60204-1	Replaced for:	Replaced by:	Origin:										