

1

2

3

4

5

6

7

8

Document list

Document type	Sheet	Description	Rev.
0 Copertina	1	Document list	
1 SPECIFICHE ELETTRICHE	2	ELECTRICAL SPECIFICATIONS	
2 Schema	3	Power	
2 Schema	4	Power	
2 Schema	5	Power	
2 Schema	6	Auxiliaries 24V	
2 Schema	7	Auxiliaries 24V	
2 Schema	8	Auxiliaries 24V	
2 Schema	9	Auxiliaries 24V	
2 Schema	10	Auxiliaries 24V	
2 Schema	11	Auxiliaries 24V	
2 Schema	12	Auxiliaries 24V	
2 Schema	13	Auxiliaries 24V	
2 Schema	14	Auxiliaries 24V	
3 Layout	15	LAYOUT	
3 Layout	16	LAYOUT	
3 Layout	17	LAYOUT	
3 Layout	18	LAYOUT	
4 Lista componenti	19	COMPONENT LIST	

Wire Colour Code

BLACK	Power
RED	Auxiliaries 24VAC
BLUE	Auxiliaries 24Vdc
YELLOW/GREEN	Ground

Reference code: /3 .6

Sheet ← → Column

Customer: STD

Order:

Supply: 400 V 50 Hz

Auxiliary circuits: 24 V

NOTE 1

NOTE 2

NOTE 3

c		Date	03.03.2000	HIROSS S.p.A.	Wiring diagram name	Code	317593	F	400 Vac 50 Hz	Document List					
b		Signature	T.A.		BS0106EA4E										
a		Contr.	G.G.												
	Modificat	Date	Date	Norm.	EN60204-1	Replaced for:	Replaced by:	Origin:	TYPE:	HIFLEX 6-8S-L DX	File:	317593	0 Copertina	Sheet 1 of 19	Continue

1

2

3

4

5

6

7

8

A

ELECTRICAL SPECIFICATIONS-SPECIFICHE ELETTRICHE-ELEKTRISCHE ANGABEN

OPTIONAL FANS
VENTILATORI OPZIONALIA) FAN 1
VENTILATORE 1
VENTILATOR 1Vn 230V 1~50Hz
6S-L : No.1 Pa 0,45kW
Ia 6,8A (3 speeds - 3 veloc.)
8S-L : No.1 Pa 1,08kW
Ia 7,1A (3 speeds - 3 veloc.)6S/L : No.1 Pa 0,55kW 4P
Ia 6,5A (1 speed - 1 veloc.)8S/L : No.1 Pa 1,1kW 6P
Ia 10A (1 speed - 1 veloc.)

B

B) COMPRESSOR
COMPRESSORE
KOMPRESSOR

Vn 400V 3-50Hz

6SU/0 : Pa= 2,5kW Ia =5,7A

6LU/0 : Pa= 2,9kW Ia =7,5A

8SU/0 : Pa= 2,9kW Ia =7,5A

8LU/0 : Pa= 3,6kW Ia =8,6A



C

D

E

F

SUPPLY LINE-LINEA ALIMENTAZIONE-VERSORGUNGSLINIE

3-Phases + NEUTRAL +EARTH (PE)

3-Fasi + NEUTRO + TERRA (PE)

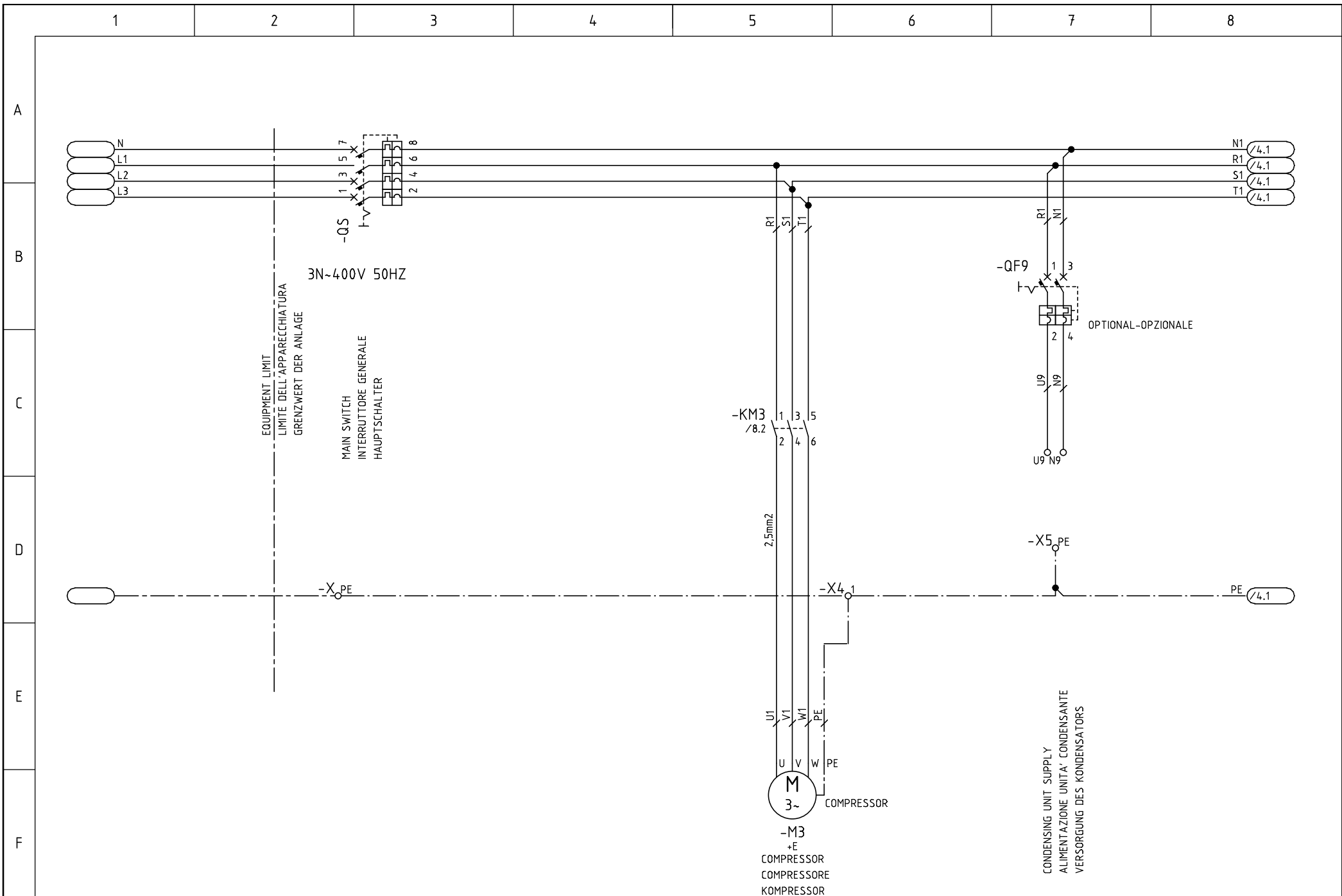
3-Phasen + Nulleiter + Erdung (PE)

400V 50Hz

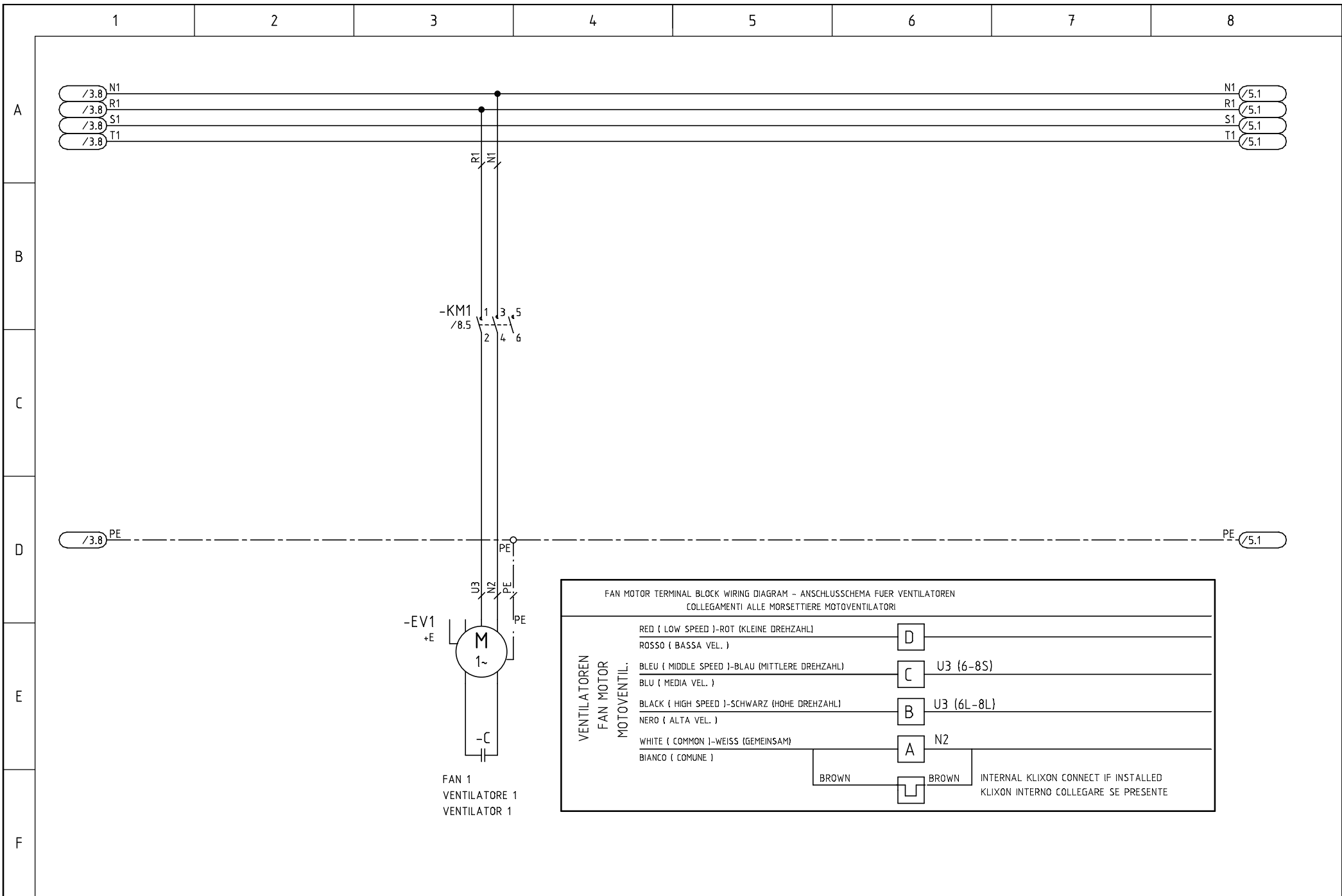
Standard version (A+B) 4x2,5mm² + PE 2,5mm²

THIS DIAGRAM IS CARRIED OUT ACCORDING TO EUROPEAN STD EN60204-1-2

c		Date	10.02.2000	HIROSS S.p.A.	Wiring diagram name	Code	F	400 Vac	50 Hz	ELECTRICAL SPECIFICATIONS		
b		Signature			BS0106EA4E	317593					1 SPECIFICHE ELETTRICHE	
a		Contr.	G.G.		Replaced for:	Replaced by:	Origin:	TYPE:	HIFLEX 6-8S-L DX	File:	317593	Sheet 2 of 19

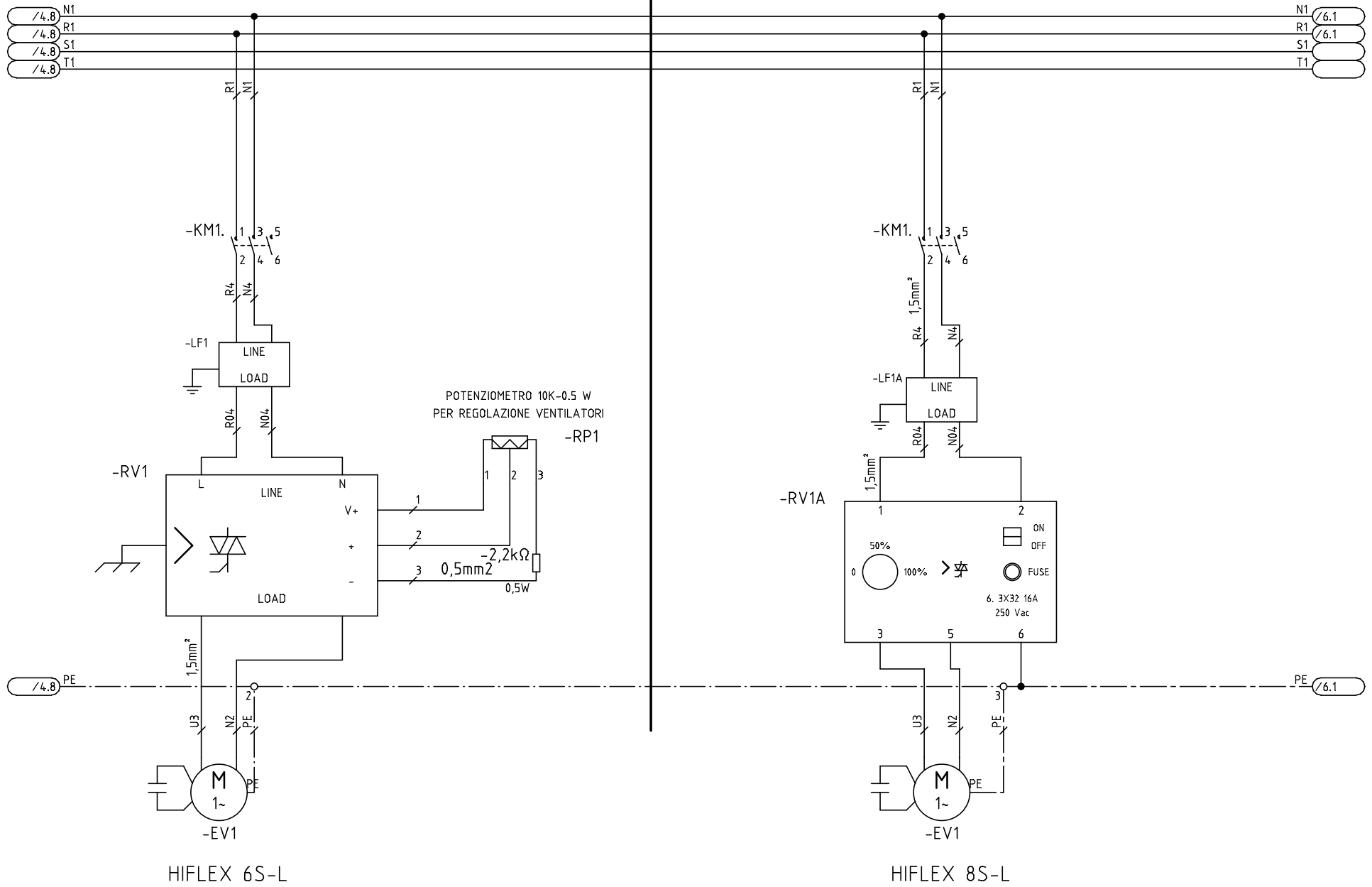


c		Date	10.02.2000		Wiring diagram name	Code	F	400 Vac	50 Hz		
b		Signature	G.A.		BS0106EA4E	317593				Power	
a		Contr.	G.G.								
	Modification	Date	Date	Norm.	EN60204-1	Replaced for:	Replaced by:	Origin:			
							TYPE:	HIFLEX 6-8S-L DX	File:	317593	
									2 Schema		Sheet 3 of 19
											Continue 4

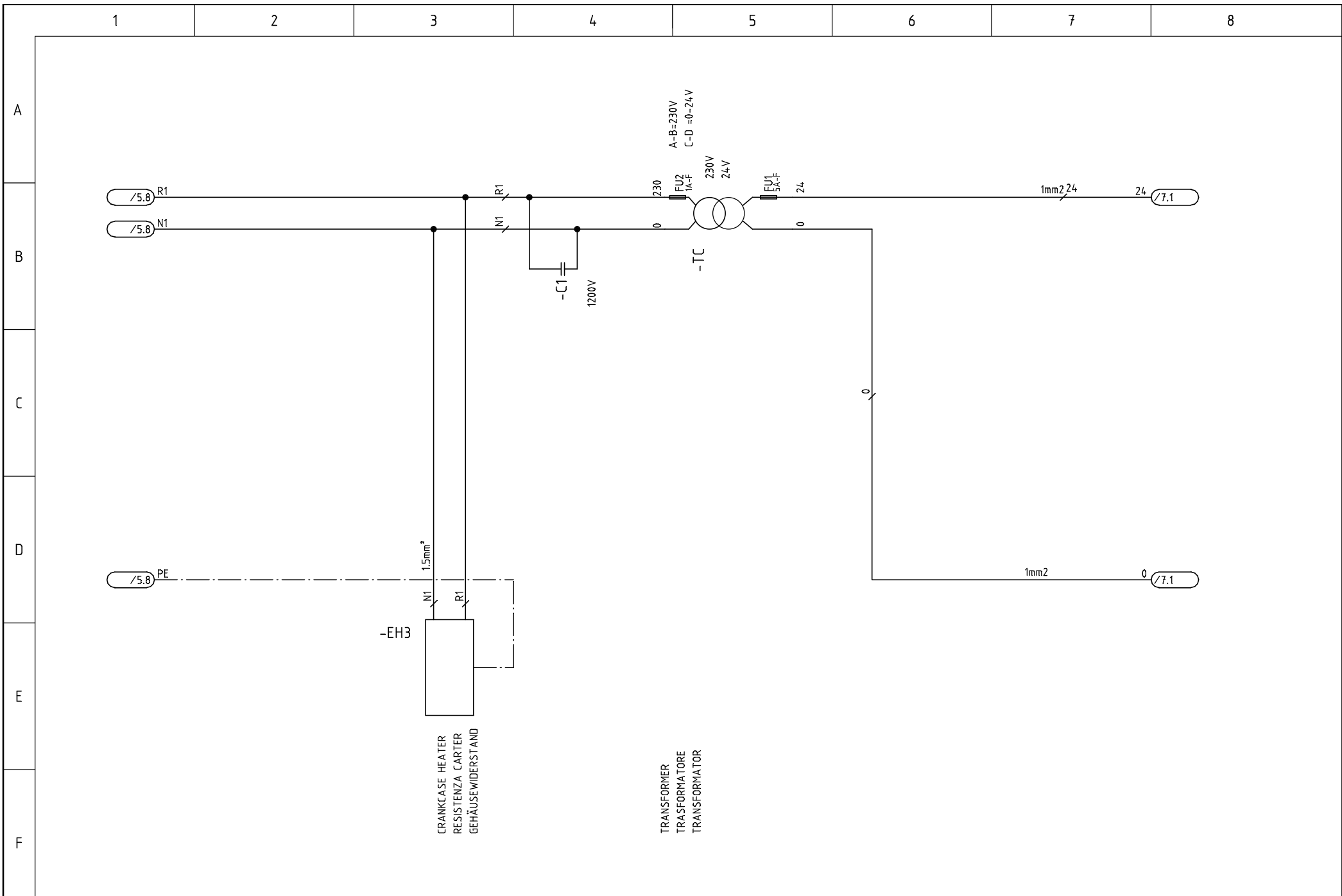


c		Date	10.02.2000	HIROSS S.p.A.	Wiring diagram name	Code	F	400 Vac	50 Hz				
b		Signature	#.A.		BS0106EA4E	317593				Power			
a		Contr.	G.G.										
Modification	Date	Date	Norm.	EN60204-1	Replaced for:	Replaced by:	Origin:	TYPE:	HIFLEX 6-8S-L DX	File: 317593	2 Schema	Sheet 4 of 19	Continue 5

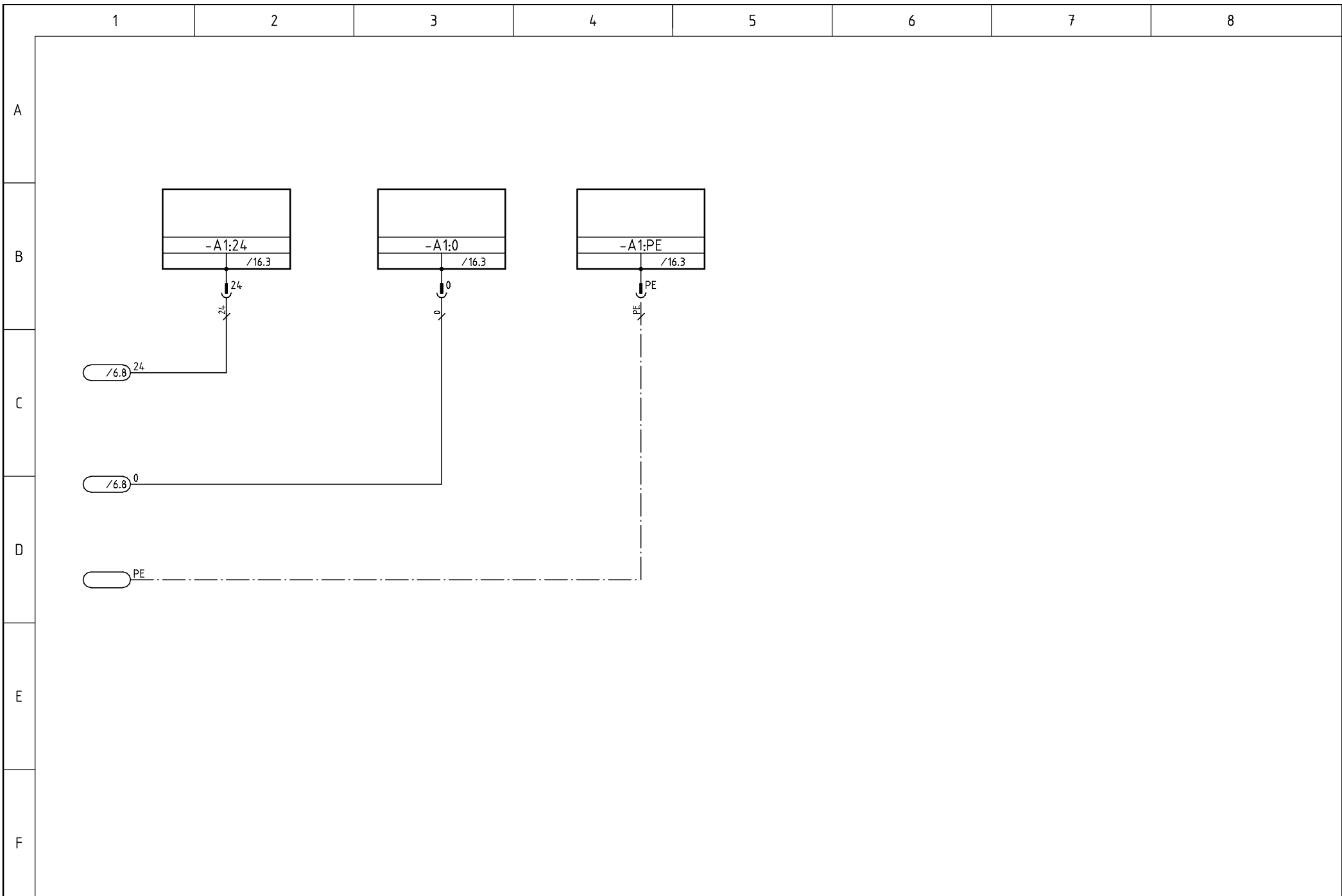
OPTIONAL FANS- VENTILATORI OPZIONALI



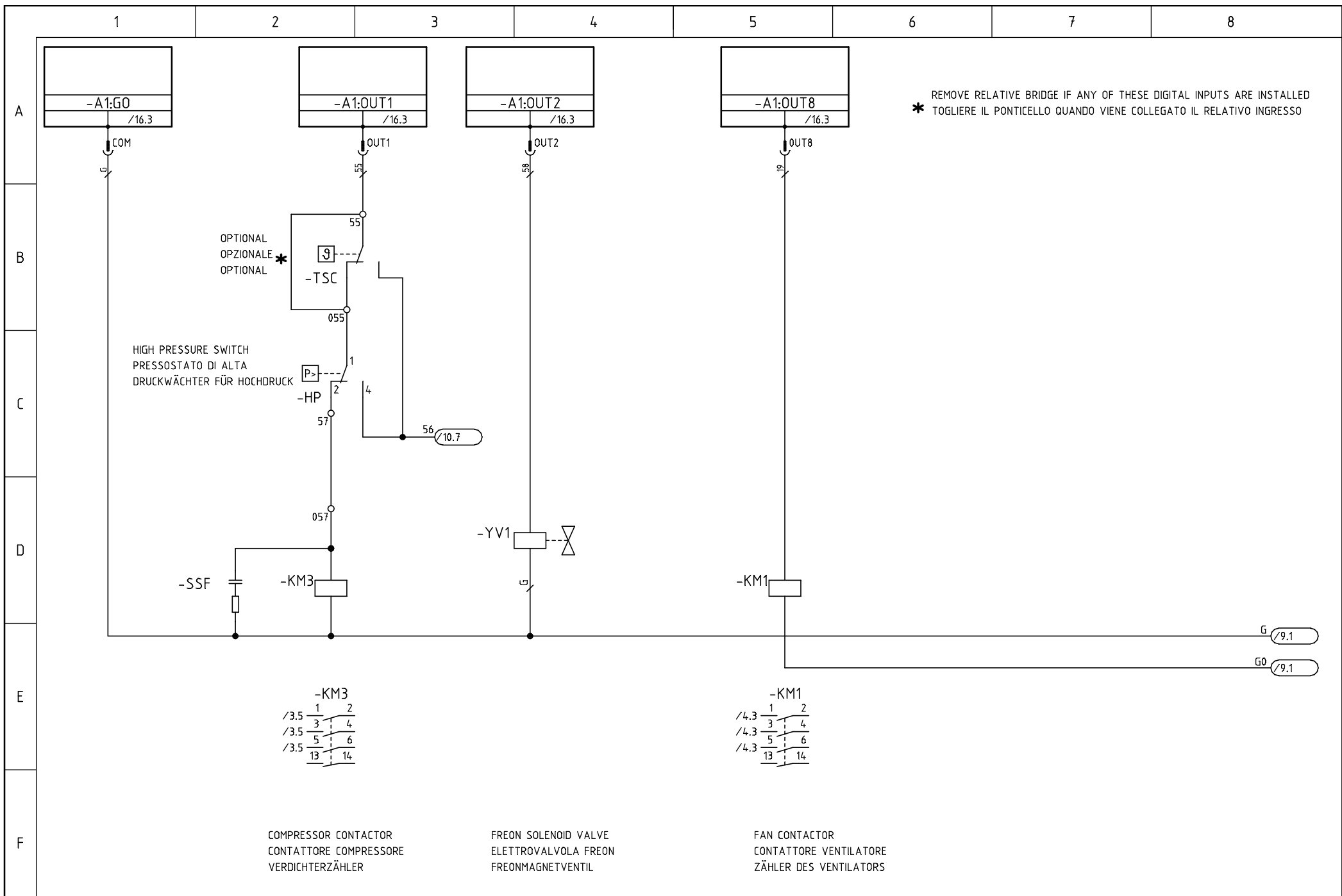
c		Date	10.02.2000		Wiring diagram name	Code	F	400 Vac	50 Hz				
b		Signature	G.G.		BS0106EA4E	317593				Power			
a		Contr.	G.G.				TYPE:	HIFLEX 6-8S-L DX	File:	317593	2 Schema		
	Modification	Date	Date	Norm.	EN60204-1	Replaced for:		Replaced by:		Origin:		Sheet 5 of 19	Continue 6

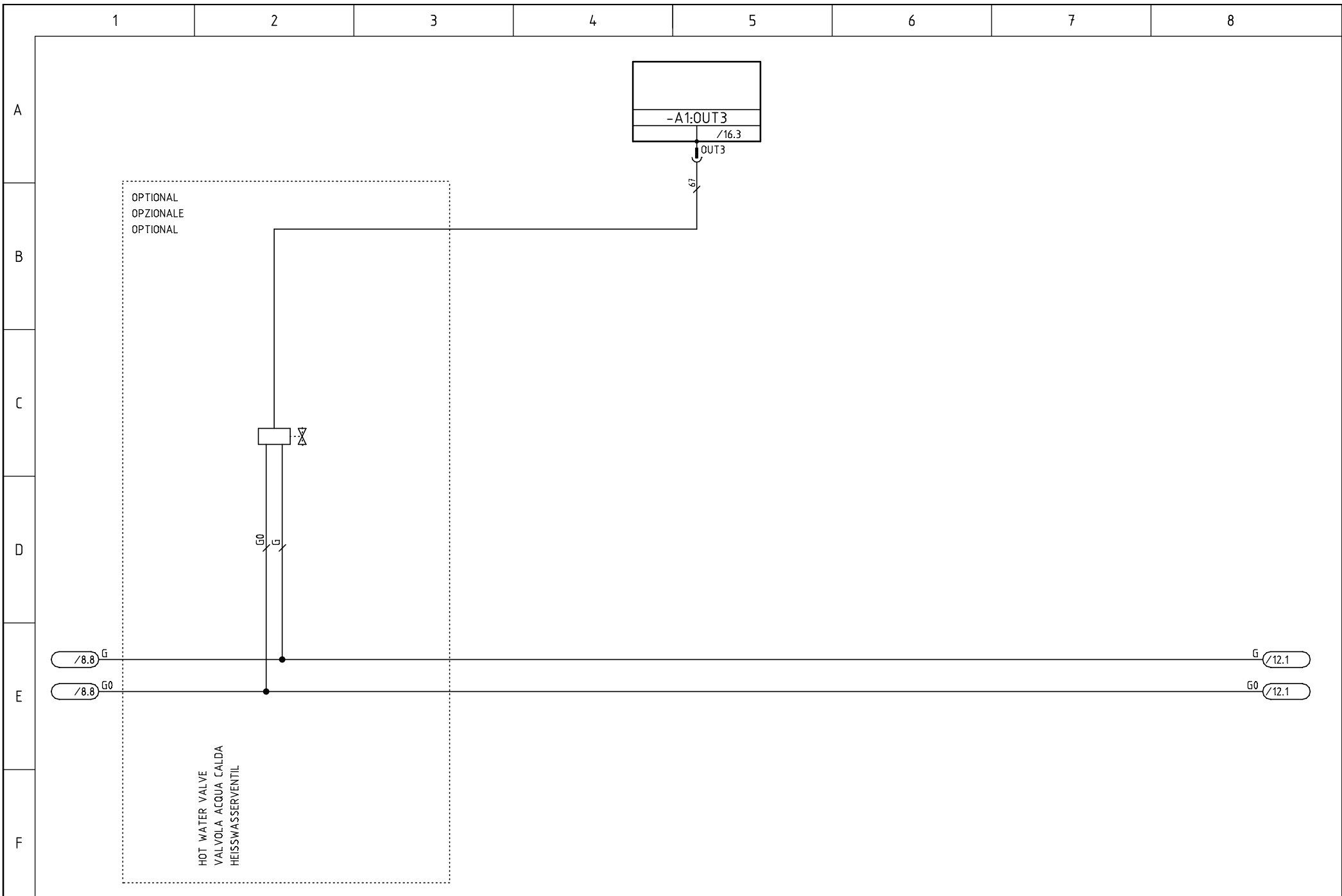


c		Date	10.02.2000		Wiring diagram name	Code	F	400 Vac	50 Hz				
b		Signature	G.A.		BS0106EA4E	317593				Auxiliaries 24V			
a		Contr.	G.G.				TYPE:	HIFLEX 6-8S-L DX	File:	317593	2 Schema		
	Modification	Date	Date	Norm.	EN60204-1	Replaced for:		Replaced by:		Origin:		Sheet 6 of 19	Continue 7

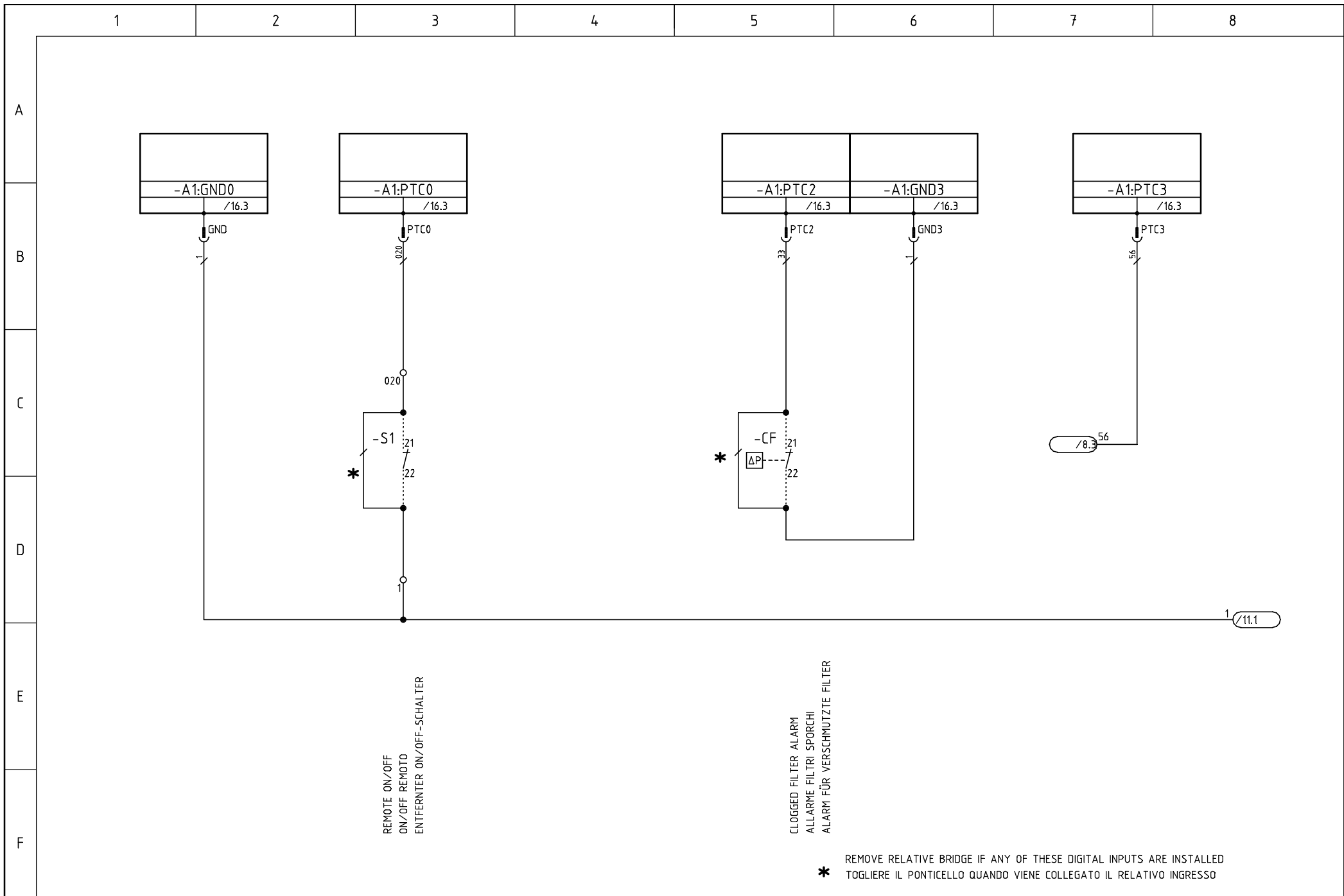


c			Date	10.02.2000	HIROSS <small>S.p.A.</small>	Wiring diagram name	Code	F	400 Vac	50 Hz		
b			Signature	W.A.		BS0106EA4E	317593				Auxiliaries 24V	
a			Contr.	G.G.				TYPE:	HIFLEX 6-8S-L DX	File:	317593	2 Schema
	Modification	Date	Date	Norm.	EN60204-1	Replaced for:	Replaced by:	Origin:			Sheet 7 of 19	Continue 8

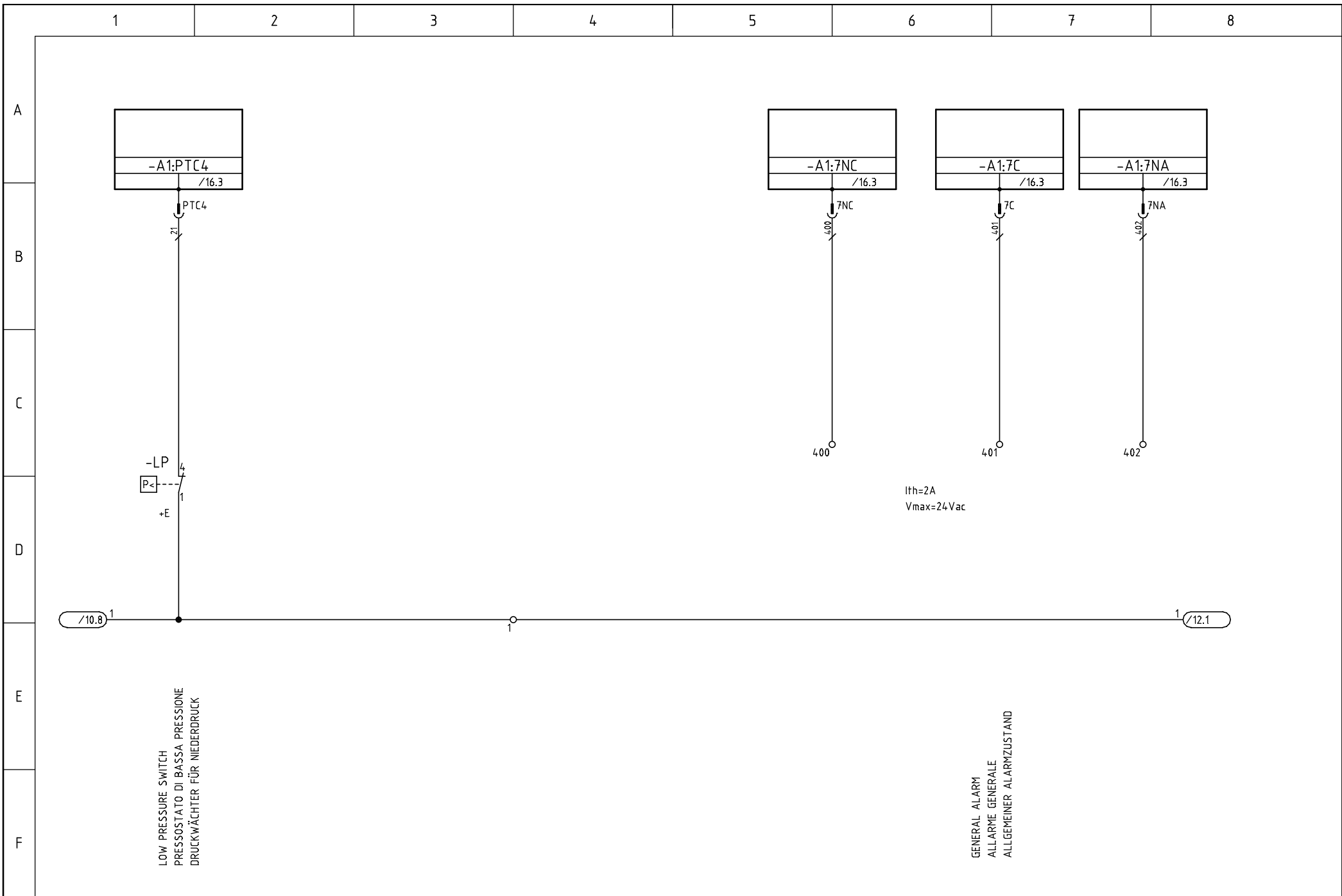




c		Date	10.02.2000		Wiring diagram name	Code	F	400 Vac	50 Hz	Auxiliaries 24V				
b		Signature	G.A.		BS0106EA4E	317593								
a		Contr.	G.G.											
Modification	Date	Date	Norm.	EN60204-1	Replaced for:	Replaced by:	Origin:	TYPE:	HIFLEX 6-8S-L DX	File:	317593	2 Schema	Sheet 9 of 19	Continue 10



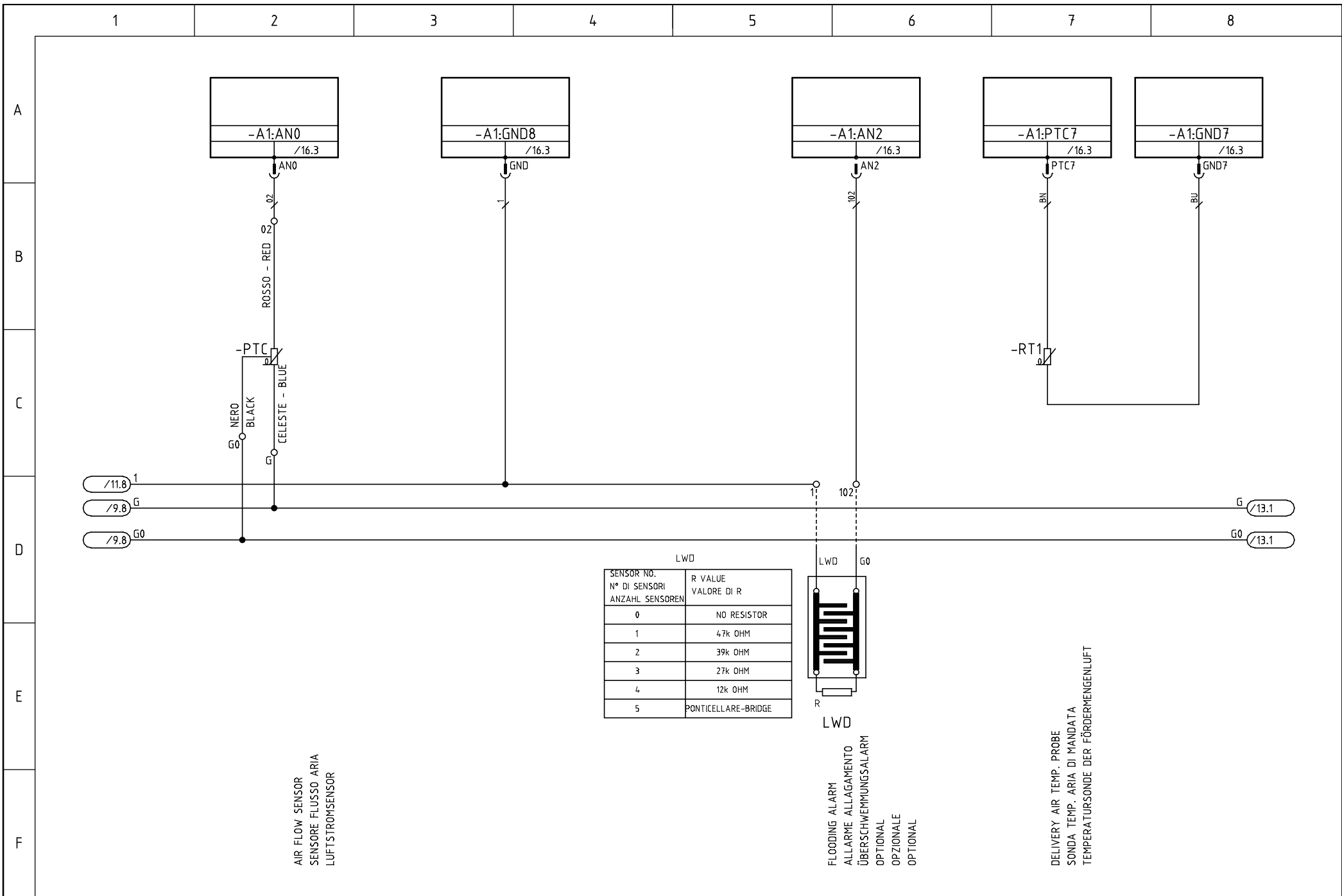
c		Date	10.02.2000		Wiring diagram name	Code	F	400 Vac	50 Hz	Auxiliaries 24V						
b		Signature	G.A.		BS0106EA4E	317593										
a		Contr.	G.G.													
	Modification	Date	Date	Norm.	EN60204-1	Replaced for:	Replaced by:	Origin:		TYPE:	HIFLEX 6-8S-L DX	File:	317593	2 Schema	Sheet 10 of 19	Continue 11

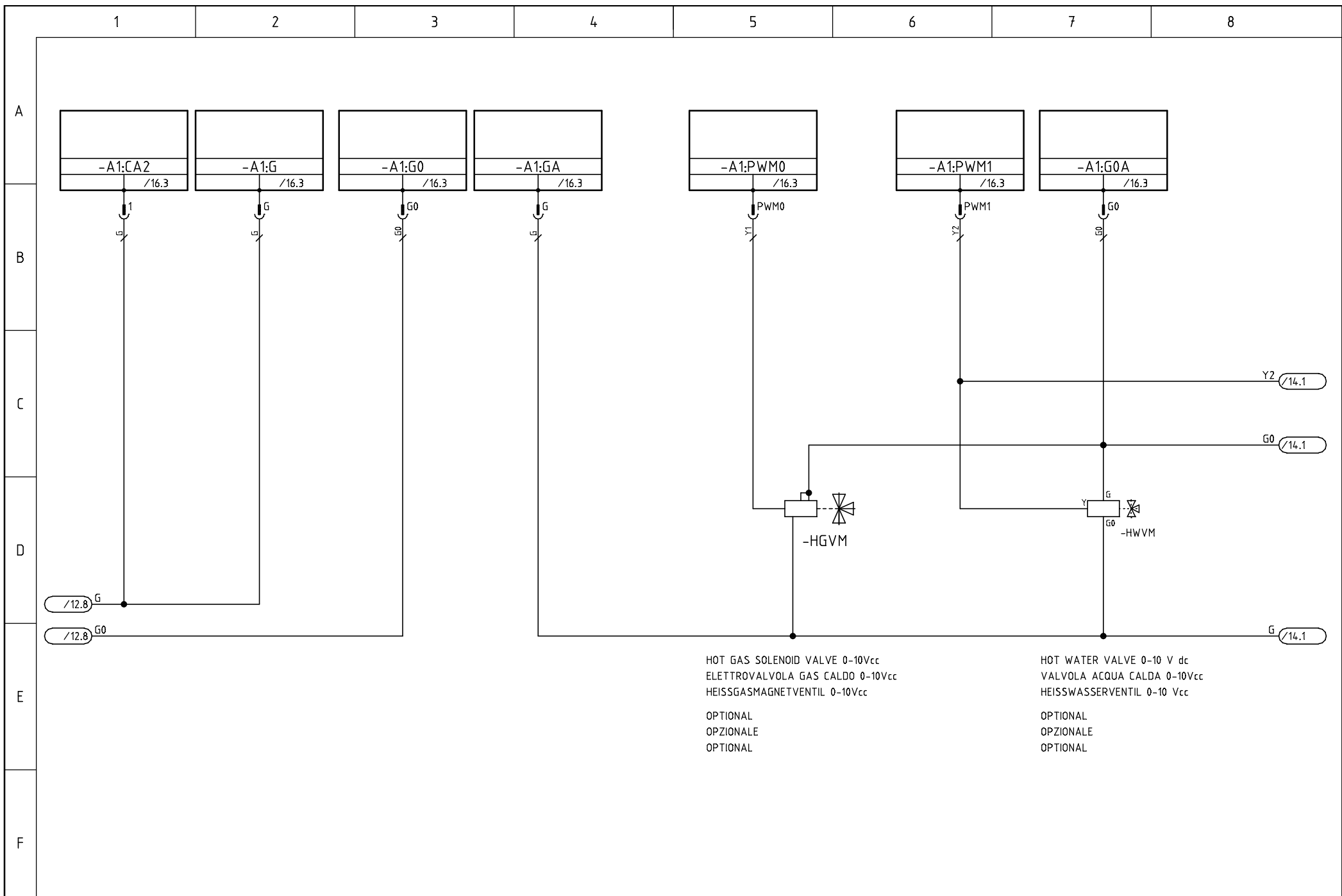


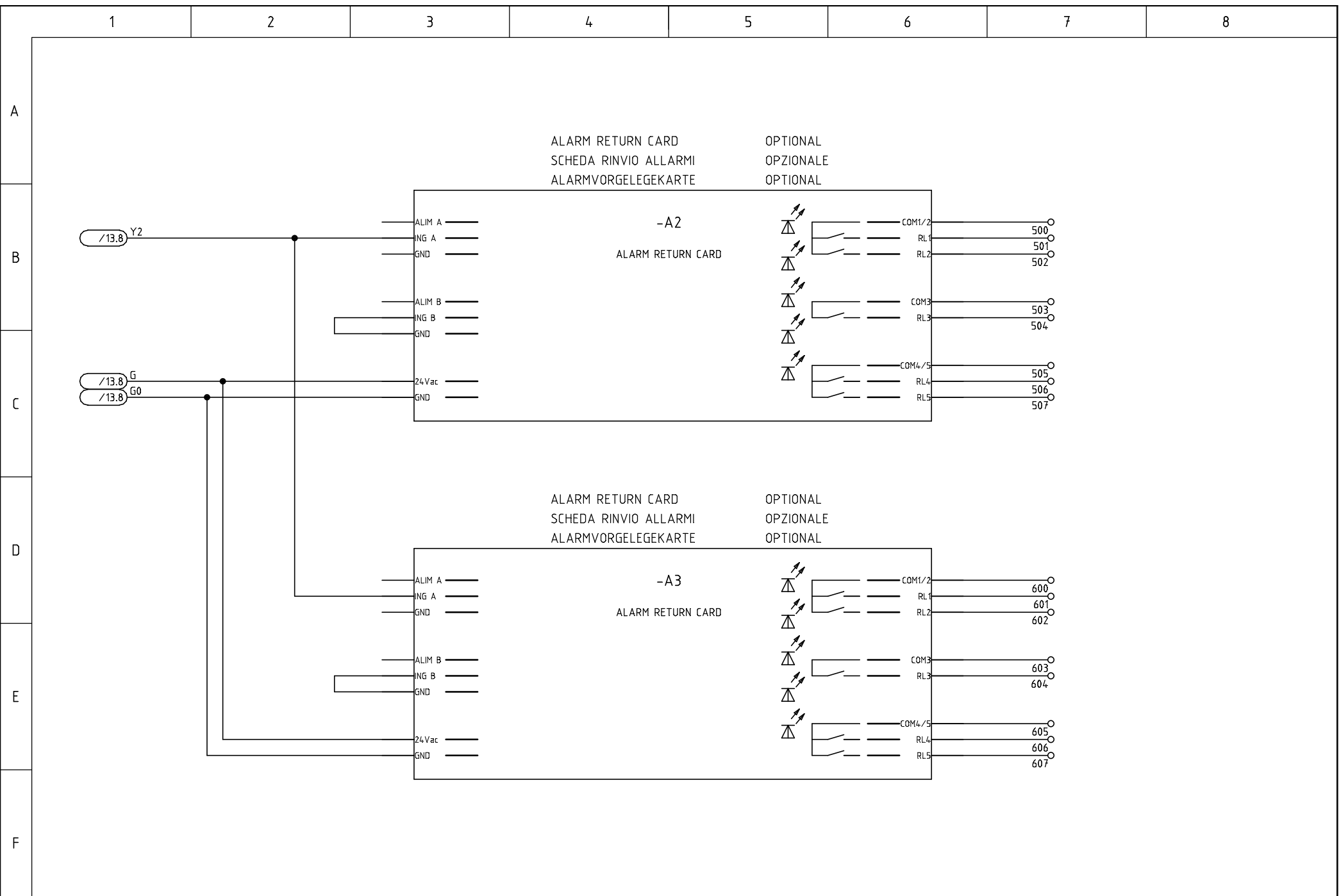
LOW PRESSURE SWITCH
 PRESSOSTATO DI BASSA PRESSIONE
 DRUCKWÄCHTER FÜR NIEDERDRUCK

GENERAL ALARM
 ALLARME GENERALE
 ALLGEMEINER ALARMZUSTAND

c		Date	10.02.2000		Wiring diagram name	Code	F	400 Vac	50 Hz	Auxiliaries 24V	
b		Signature	#.A.		BS0106EA4E	317593					
a		Contr.	G.G.								
	Modification	Date	Date	Norm.	EN60204-1	Replaced for:	Replaced by:	Origin:			
							TYPE:	HIFLEX 6-8S-L DX	File:	317593	2 Schema
									Sheet 11 of 19	Continue	12







c		Date	10.02.2000		Wiring diagram name	Code	F	400 Vac	50 Hz	Auxiliaries 24V				
b		Signature	F.A.		BS0106EA4E	317593								
a		Contr.	G.G.											
Modification	Date	Date	Norm.	EN60204-1	Replaced for:	Replaced by:	Origin:	TYPE:	HIFLEX 6-8S-L DX	File:	317593	2 Schema	Sheet 14 of 19	Continue

1

2

3

4

5

6

7

8

A

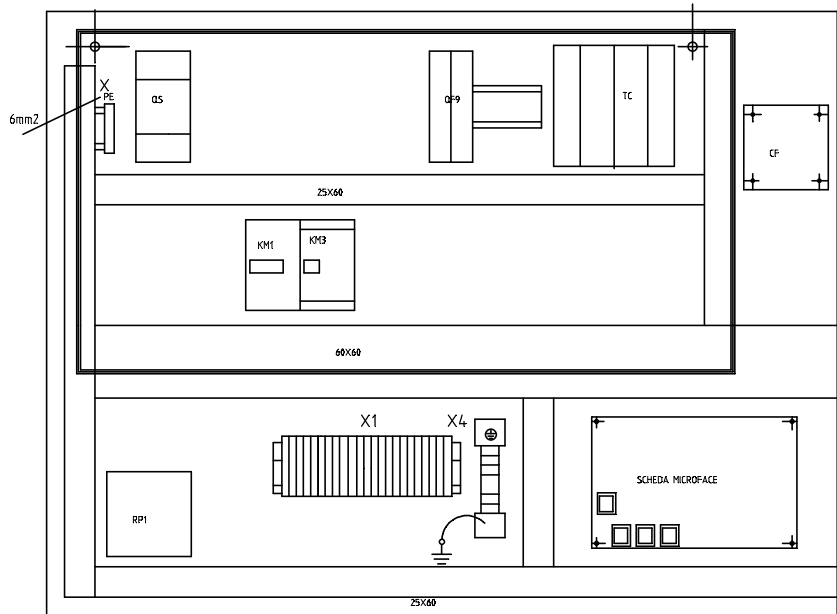
B

C

D

E

F

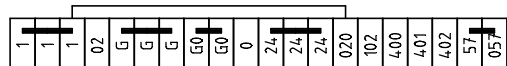


LAYOUT
LAYOUT
LAYOUT

OPTIONAL
OPZIONALE
OPTIONAL

500	501	502	503	504	505	506	507
600	601	602	603	604	605	606	607

TERMINAL BLOCK
MORSETTIERA
KLEMMENBRETT

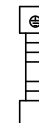


LASCIARE LIBERI
I MORSETTI G-02-G0
PER COLLEGAMENTO
SONDA DI FLUSSO



OPTIONALS/OPZIONALI
SONLY IF REQUEST/SOLO SE RICHIESTO

X4
6x2.5mm2
2X6mm2



c		Date	10.02.2000	HIROSS S.p.A.	Wiring diagram name	Code	F	400 Vac	50 Hz	
b		Signature	G.A.		BS0106EA4E	317593				LAYOUT
a		Contr.	G.G.		EN60204-1	Replaced for:	Replaced by:	Origin:	TYPE:	HIFLEX 6-8S-L DX
Sheet 15 of 19 Continue 16										

1

2

3

4

5

6

7

8

A

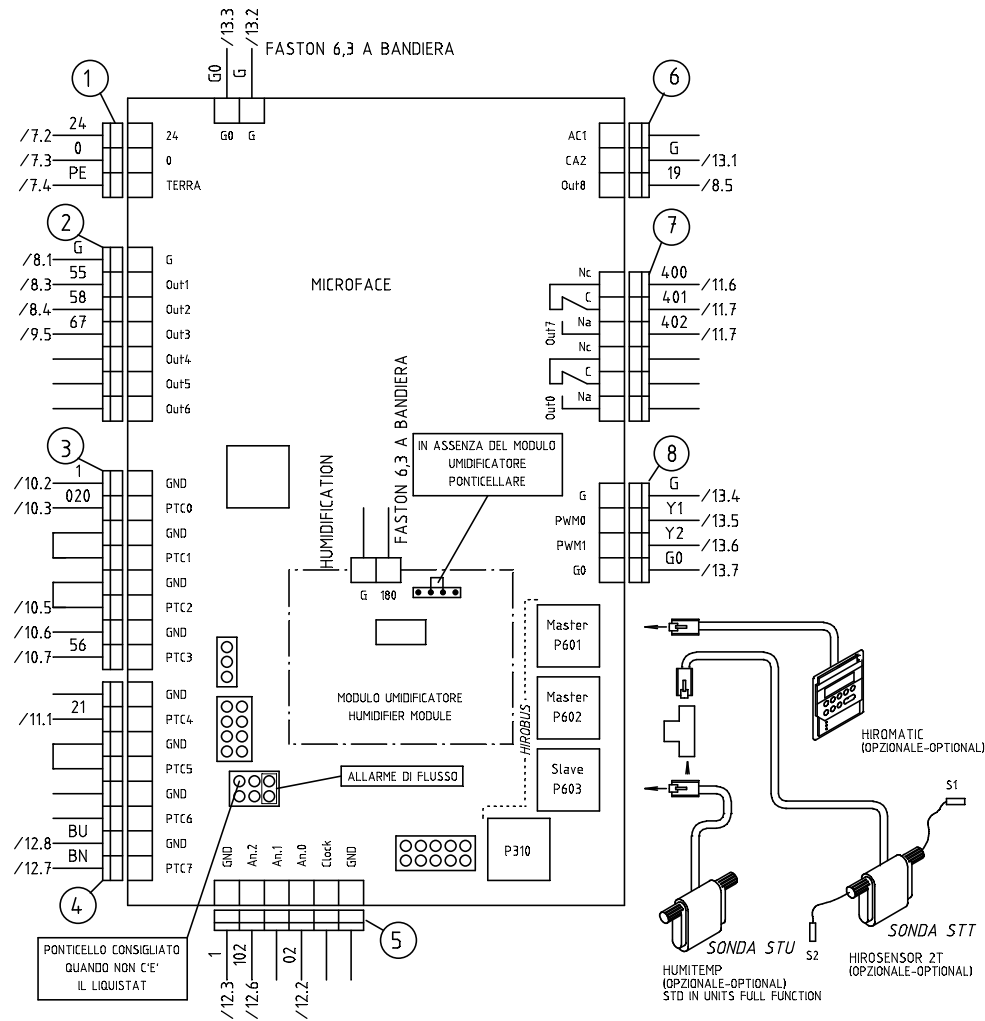
B

C

D

E

F



N.B. CONNETTORI 1-8-6 4 VIE
ZETRONIC COD. 94535/9104

CONNETTORI 2-3-4-5-7 8 VIE
ZETRONIC COD. 94535/9108

CONNETTORE N° 5 6 VIE RICAIVATO
DA UNO A 8 VIE

TERMINALE FASTON 94518/0201

CON I FUSIBILI ALLEGARE 10 FASTON
94518/0201

c		Date	10.02.2000		Wiring diagram name	Code	F	400 Vac	50 Hz	LAYOUT	
b		Signature	G.A.		BS0106EA4E	317593					
a		Contr.	G.G.				TYPE:	HIFLEX 6-8S-L DX	File:	317593	3 Layout
Modification	Date	Date	Norm.	EN60204-1	Replaced for:	Replaced by:	Origin:			Sheet 16 of 19	Continue 17

1

2

3

4

5

6

7

8

A

B

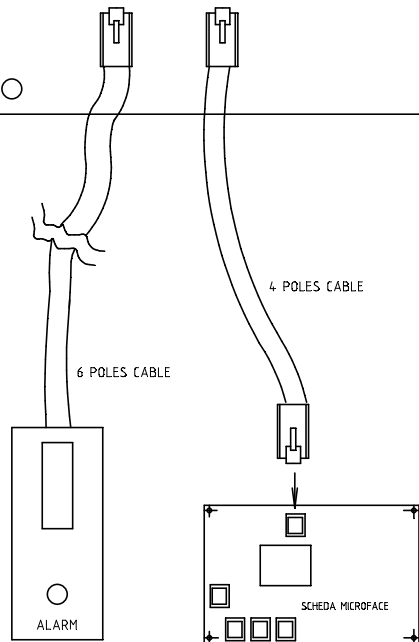
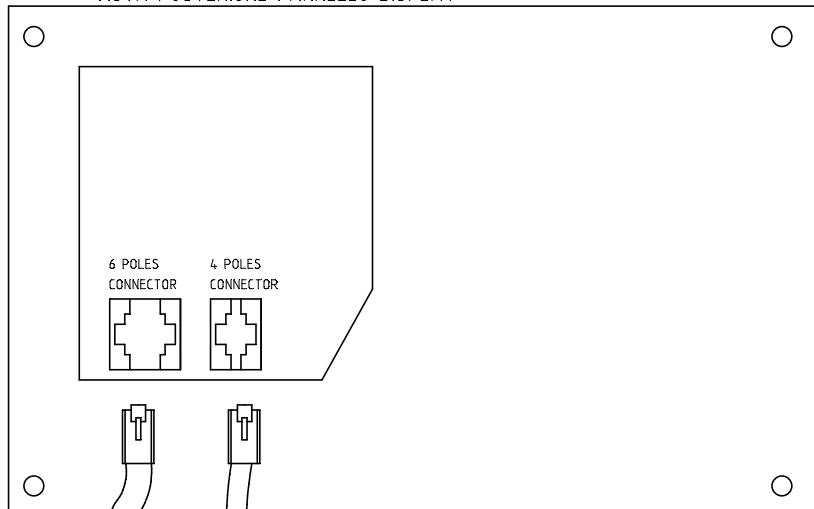
C

D

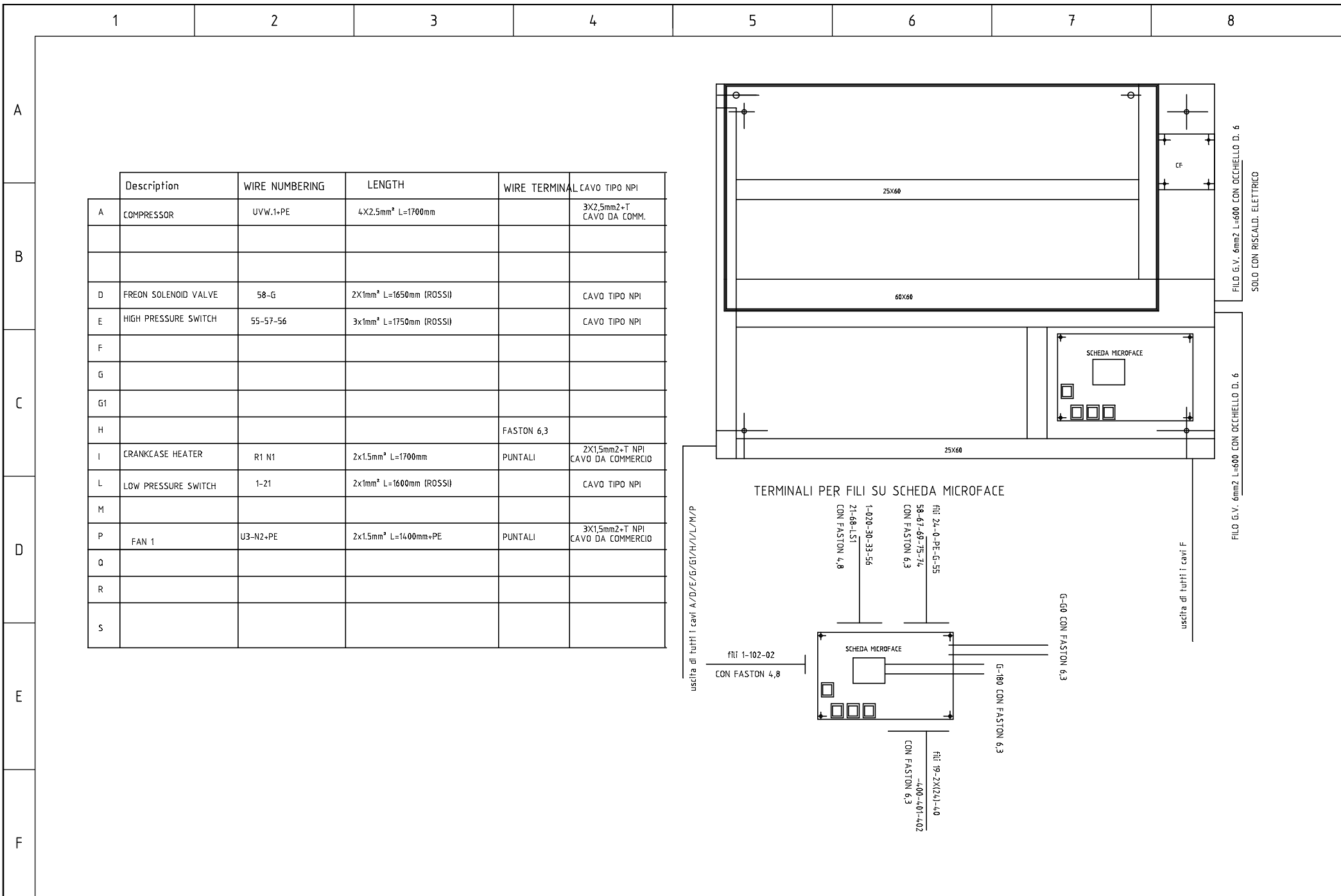
E

F

LCD DISPLAY PANEL REAR VIEW
 VISTA POSTERIORE PANNELLO DISPLAY



c			Date	10.02.2000		Wiring diagram name	Code	F	400 Vac	50 Hz	LAYOUT						
b			Signature	G.A.		BS0106EA4E	317593										
a			Contr.	G.G.													
	Modification	Date	Date	Norm.	EN60204-1	Replaced for:	Replaced by:	Origin:			TYPE:	HIFLEX 6-8S-L DX	File:	317593	3 Layout	Sheet 17 of 19	Continue 18



	Description	WIRE NUMBERING	LENGTH	WIRE TERMINAL	CAVO TIPO NPI
A	COMPRESSOR	UVV.1+PE	4X2.5mm ² L=1700mm		3X2,5mm2+T CAVO DA COMM.
D	FREON SOLENOID VALVE	58-G	2X1mm ² L=1650mm (ROSSI)		CAVO TIPO NPI
E	HIGH PRESSURE SWITCH	55-57-56	3x1mm ² L=1750mm (ROSSI)		CAVO TIPO NPI
F					
G					
G1					
H				FASTON 6,3	
I	CRANKCASE HEATER	R1 N1	2x1.5mm ² L=1700mm	PUNTALI	2X1,5mm2+T NPI CAVO DA COMMERCIO
L	LOW PRESSURE SWITCH	1-21	2x1mm ² L=1600mm (ROSSI)		CAVO TIPO NPI
M					
P	FAN 1	U3-N2+PE	2x1.5mm ² L=1400mm+PE	PUNTALI	3X1,5mm2+T NPI CAVO DA COMMERCIO
Q					
R					
S					

1		2		3		4		5		6		7		8	
QUANTITY	ARTICLE CODE	DESCRIPTION				TECHNICAL DATA		CATALOGUE NO.	IDENTIFIER	RE.	MANUFACTURER	Code			
A	17	MICROFACE							-A1	/16.3					
									-C	/4.3					
		CLOGGED FILTER ALARM							-CF	/10.5					
		FAN 1							-EV1	/5.2					
		HOT GAS SOLENOID VALVE							-HGVM	/13.5					
B		HIGH PRESSURE PRESSURE SWITCH							-HP	/8.2					
		HOT WATER VALVE							-HWV	/9.2					
		HOT WATER VALVE 0-10 V dc							-HWVM	/13.7					
		AIR FLOW SENSOR							-PTC	/12.2					
		AIR TEMPERATURE SENSOR							-RT1	/12.7					
C		REMOTE ON/OFF							-S1	/10.3					
		COMP. DELIVERY SAFETY T-STAT							-TSC	/8.3					
		FREON SOLENOID VALVE							-YV1	/8.4					
		CRANKCASE HEATER							-EH3	/6.3					
		FAN 1							-EV1	/4.3					
D		LOW PRESSURE SWITCH							-LP	/11.1					
		COMPRESSOR							-M3	/3.5					
	1	B84112-B-B110 10A	ANTI-NOISE FILTER		B84112-B-B110		B84112-B-B110 10A	-LF1	/5.2	Siemens	254657				
	1	B84112-B-B120 20A	ANTI-NOISE FILTER		B84112-B-B120		B84112-B-B120 20A	-LF1A	/5.6	Siemens	254659				
	1	LWD	SENSORE ALLAGAMENTO		LWD			-R	/12.5	HIROSS	275180				
E	1	MKPC44/2			MKPC44/2		MKPC44/2	-C1	/6.4	ARCOTRONICS	254324				
	1	MKT1-43	ANTI-NOISE FILTER		MKT1-43		0,5microF 100ohm	-SSF	/8.2	ARCOTRONIC	254656				
	1	RESISTENZA 2,2K			2,2K			-2,2kΩ	/5.4						
	1	RGF30838B0 CE 8A	FAN SPEED ADJUSTER		RGF30838B0 CE 8A		RGF30838B0 CE 8A	-RV1	/5.2	SELPRO	354432				
	1	RGFPB10340XX00	FAN SPEED ADJUST. POTENTIOMETER 10 K 0.5 W		RGFPB10340XX00		RGFPB10340XX00	-RP1	/5.3	SELPRO	275310				
F	1	VM104/57/244 CE 12A	FAN SPEED ADJUSTER		VM104/57/244 CE 12A		VM104/57/244 CE 12A	-RV1A	/5.6	TECNEL	354390				
	1	51TM3FA			75VA		17TM3FA	-TC	/6.4	MARINI					
	1	831-820-676	CONDENSING UNIT AUTOMATIC SWITCH		6A 6KA		E82 C 6	-QF9	/3.7	AEG	255048				
	1	831-840-681	MAIN SWITCH		20A 6KA		E84 C20	-QS	/3.3	AEG	256124				
	2	910-302-503-55	FAN 1 CONTACTOR		24V AC 50-60, 1NA		LS7.10	-KM1	/8.5	AEG	256038				
F		COMPRESSOR CONTACTOR		24V AC 50-60, 1NA		LS7.10	-KM3	/8.2	AEG	256038					
	2	275148	ALARM RETURN CARD					-A2	/14.3	CISE	275148				
		ALARM RETURN CARD						-A3	/14.3	CISE	275148				