

INDICE - INDEX - VERZEICHNIS - INDEX

1 | 2 | 3 | 4 | 5 | 6 | 7 | 8 | 9 | 10 | 11 | 12 | 13 | 14 | 15

FOGLIO / SHEET BLATT / FEUILLE	DESCRIZIONE / DESCRIPTION BESCHREIBUNG / DESCRIPTION
0	INDICE / INDEX / VERZEICHNIS / INDEX
1A, 1D	POTENZA / POWER KRAFT / PUISSANCE
1B	POTENZA<VENTILATORI> / POWER<FANS> KRAFT<LUFTER> / PUISSANCE<VENTILATEURS>
1C	POTENZA<UMIDIFICATORE> / POWER<HUMIDIFIER> KRAFT<ANFEUCHTER> / PUISSANCE<HUMIDIFICATEUR>
2	CIRCUITO AUSILIARIO / AUXILIARY CIRCUIT HELFEND KREISLAUF / CIRCUIT AUXILIAIRE
3A	SCHEDA ELETTRONICA / ELECTRONIC CARD ELEKTRONISCHE / CARTE ELECTRONIQUE
3B	SCHEDA ELETTRONICA<UMIDIFICATORE> / ELECTRONIC CARD <HUMIDIFIER> ELEKTRONISCHE<ANFEUCHTER> / CARTE ELECTRONIQUE <HUMIDIFICATEUR>
4	MORSETTIERA / TERMINAL BOARD / KLEMMEN / ELECTRIQUE BORNE

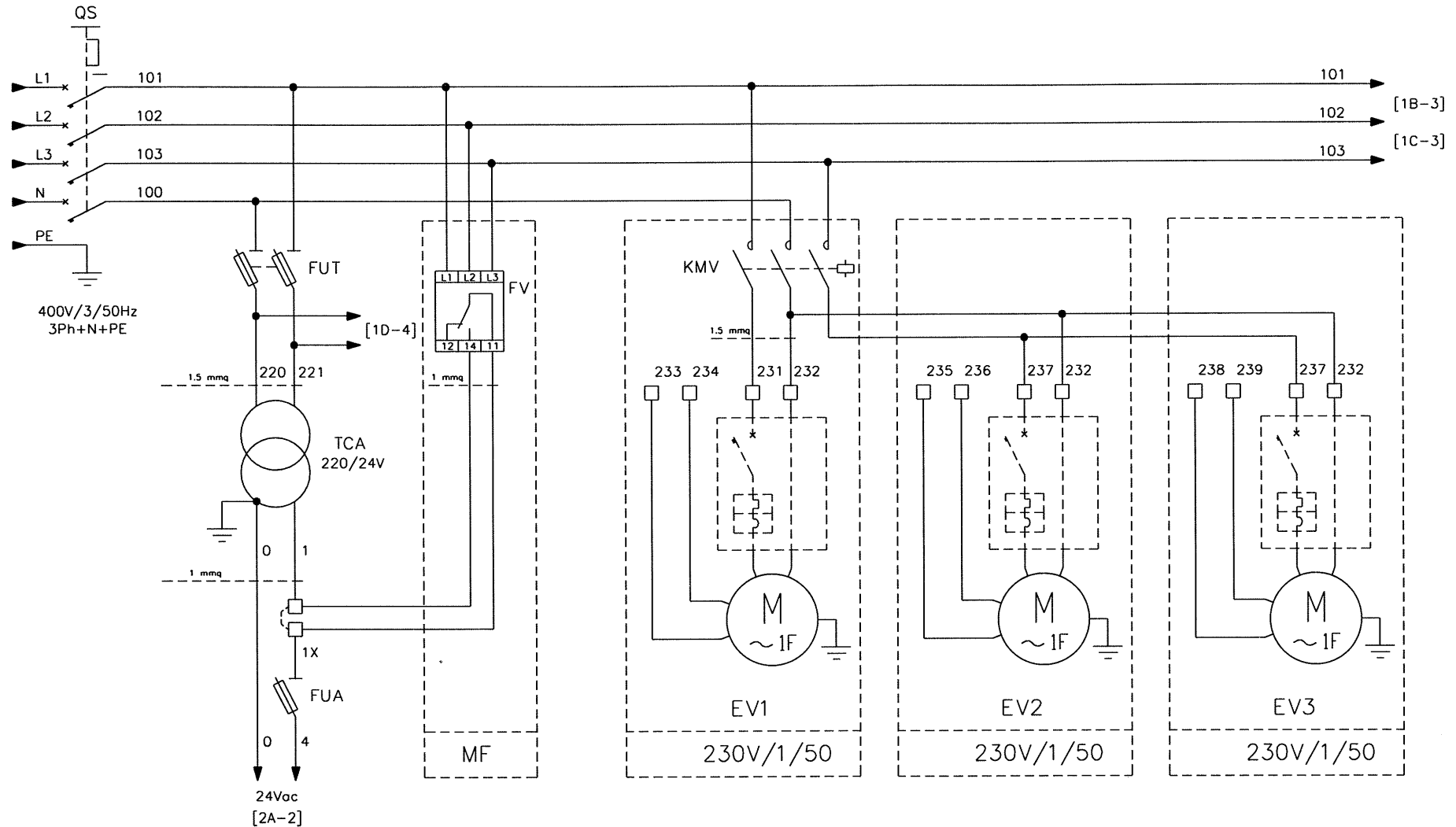
1 | 2 | 3 | 4 | 5 | 6 | 7 | 8 | 9 | 10 | 11 | 12 | 13 | 14 | 15



			UNIT: HCW.../.../..		
			DESIGNER	VER/APPR	DATE
			M.M.	L.A.	20/02/04
24/11/04	2	MODIFY 400V FANS	M.M.	M.M.	
01/04/04	1	UPDATE	M.M.	M.M.	
Date	Rev.	Description	Designer	Ver/Appr	FILE: 04020D-0

SCHEMA DI POTENZA - POWER DIAGRAM - LEISTUNGESATSCHEMA - SCHEMA DE PUISSANCE

1 2 3 4 5 6 7 8 9 10 11 12 13 14



OPTIONAL

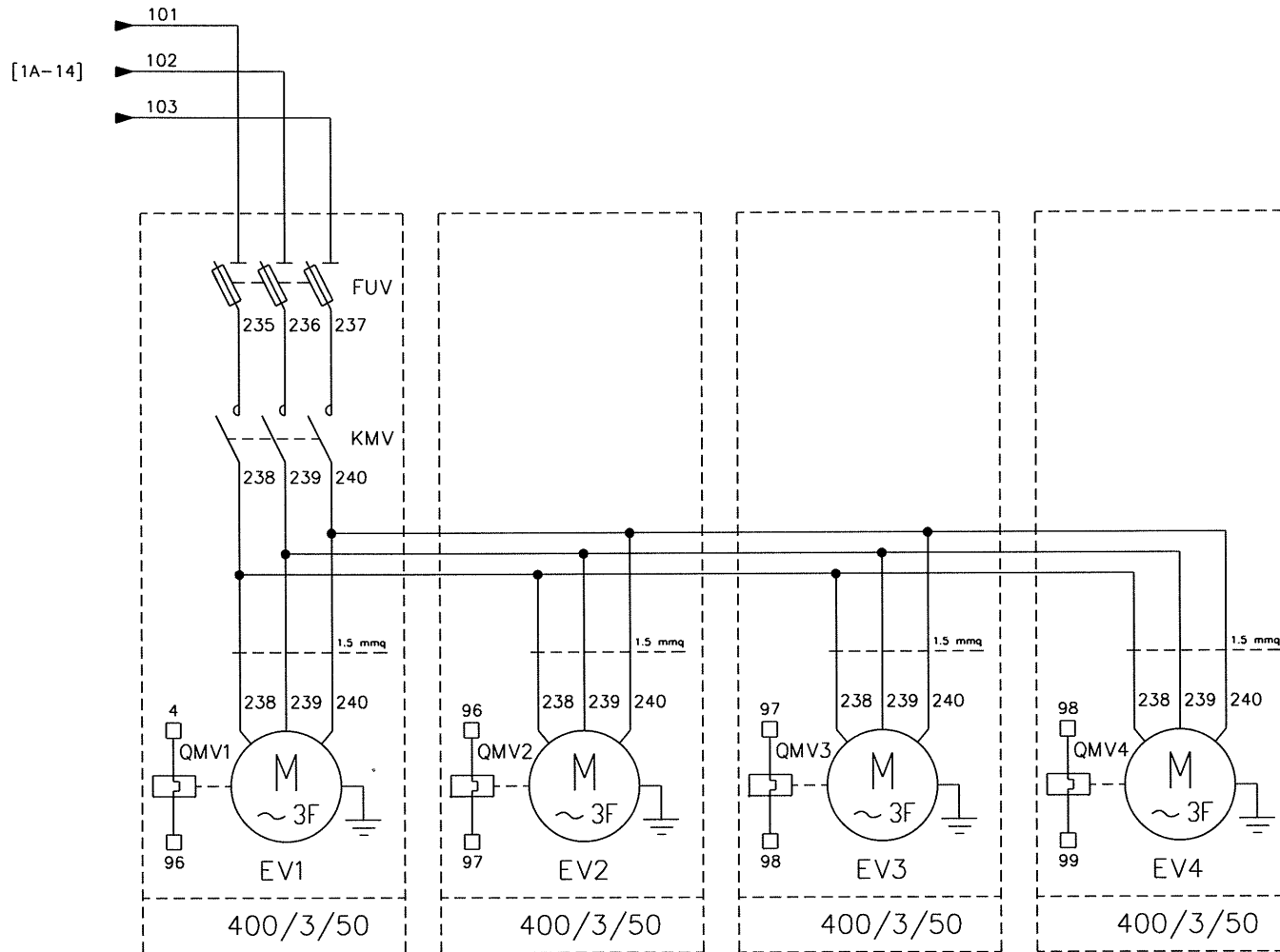
1 2 3 4 5 6 7 8 9 10 11 12 13 14



							UNIT:		
							HCW.../.../...		
							DESIGNER	VER/APPR	DATA
							M.M.	L.A.	20/02/04
							FILE:		
							04020D-1A		
Data	Rev.	Description				Designer	Ver/Appr		

SCHEMA DI POTENZA - POWER DIAGRAM - LEISTUNGESATSCHEMA - SCHEMA DE PUISSANCE

1 2 3 4 5 6 7 8 9 10 11 12 13 14



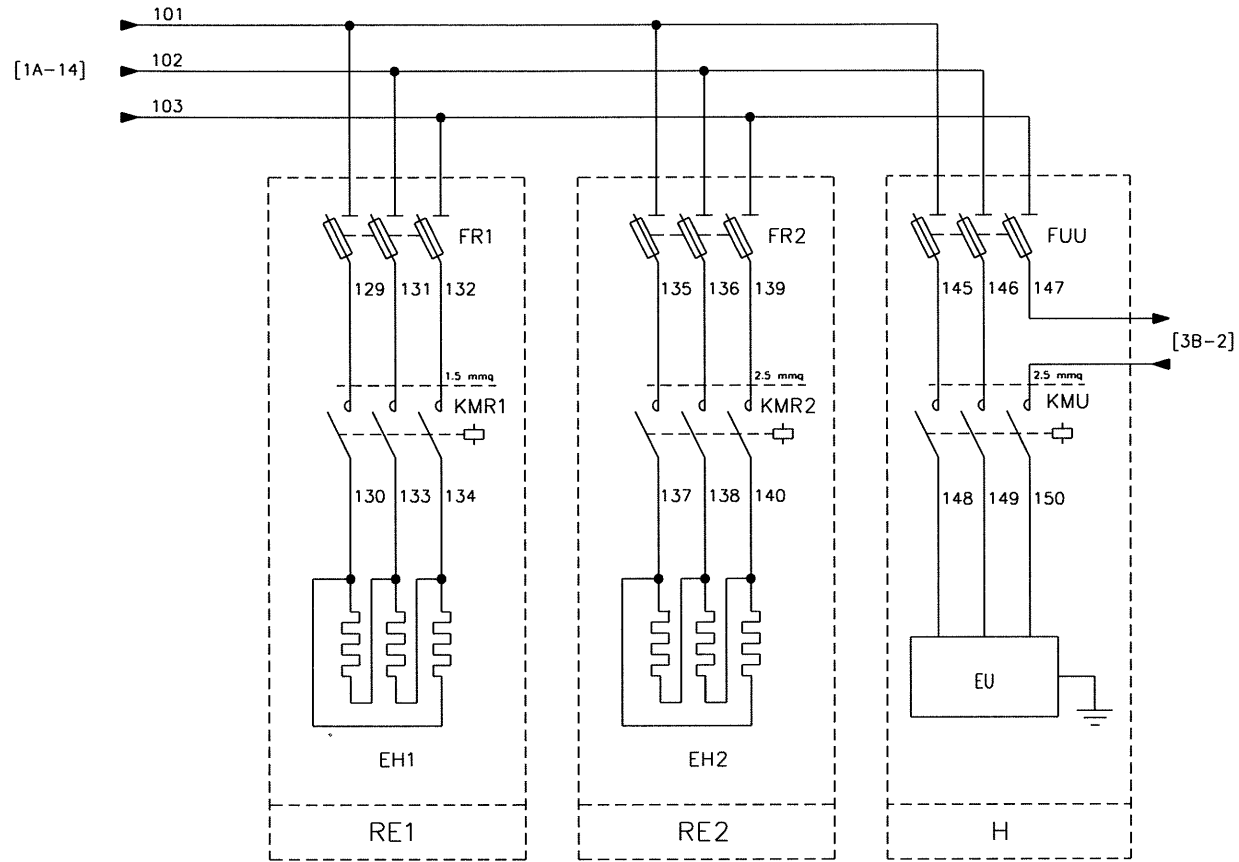
OPTIONAL

1 2 3 4 5 6 7 8 9 10 11 12 13 14



UNIT:			HCW../.../..		
DESIGNER		VER/APPR		DATA	
M.M.		L.A.		20/02/04	
FILE:			04020D-1B		
Date	Rev.	Description	Designer	Ver/Appr	

SCHEMA DI POTENZA - POWER DIAGRAM - LEISTUNGESATZSCHEMA - SCHEMA DE PUISSANCE



OPTIONAL

1 2 3 4 5 6 7 8 9 10 11 12 13 14

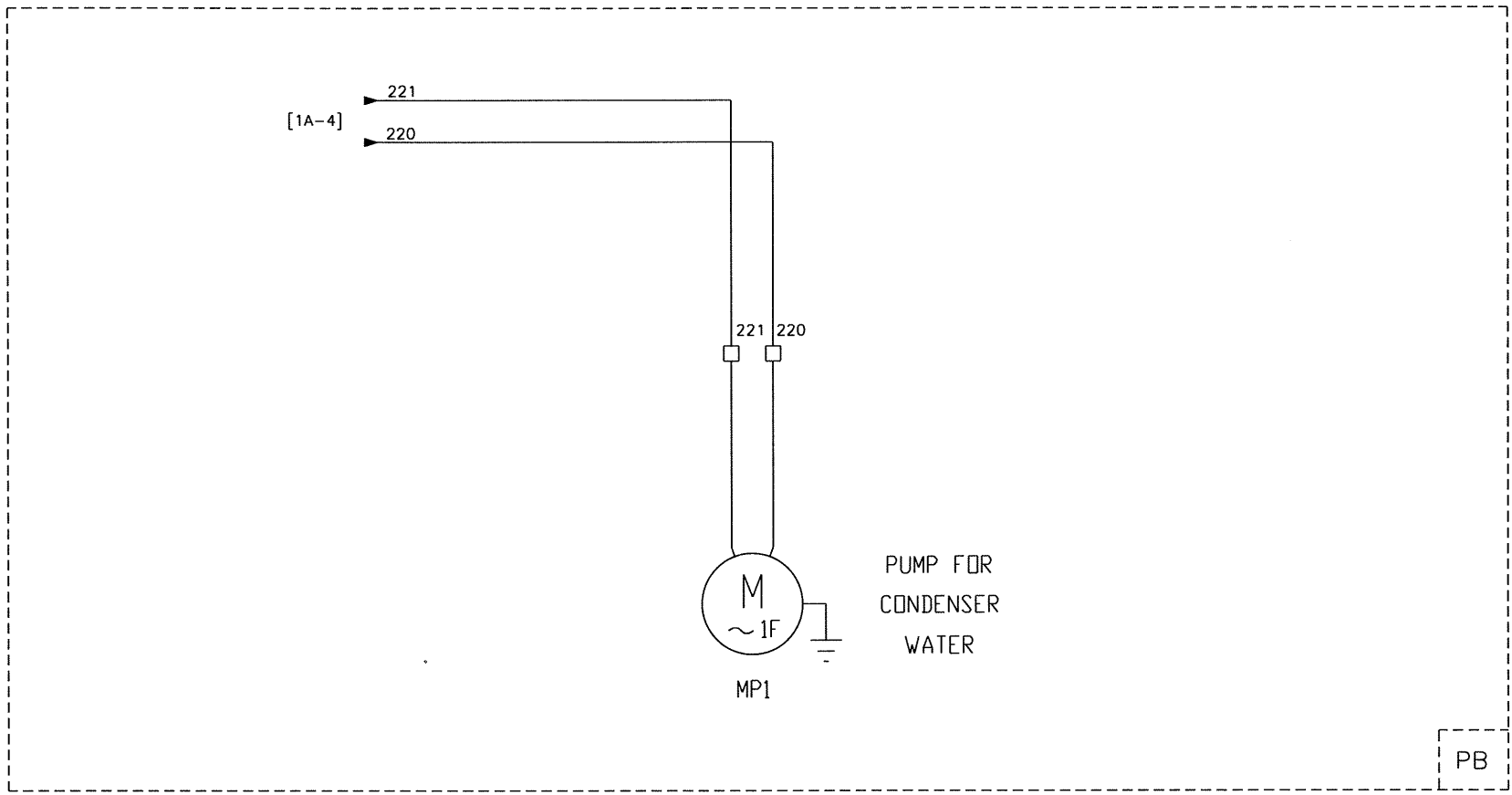


Date	Rev.	Description	Designer	Ver/Appr

UNIT: HCW../.../..		
DESIGNER	VER/APPR	DATA
M.M.	L.A.	20/02/04
FILE: 04020D-1C		

SCHEMA DI POTENZA - POWER DIAGRAM - LEISTUNGESATZSCHEMA - SCHEMA DE PUISSANCE

1 2 3 4 5 6 7 8 9 10 11 12 13 14



1 2 3 4 5 6 7 8 9 10 11 12 13 14

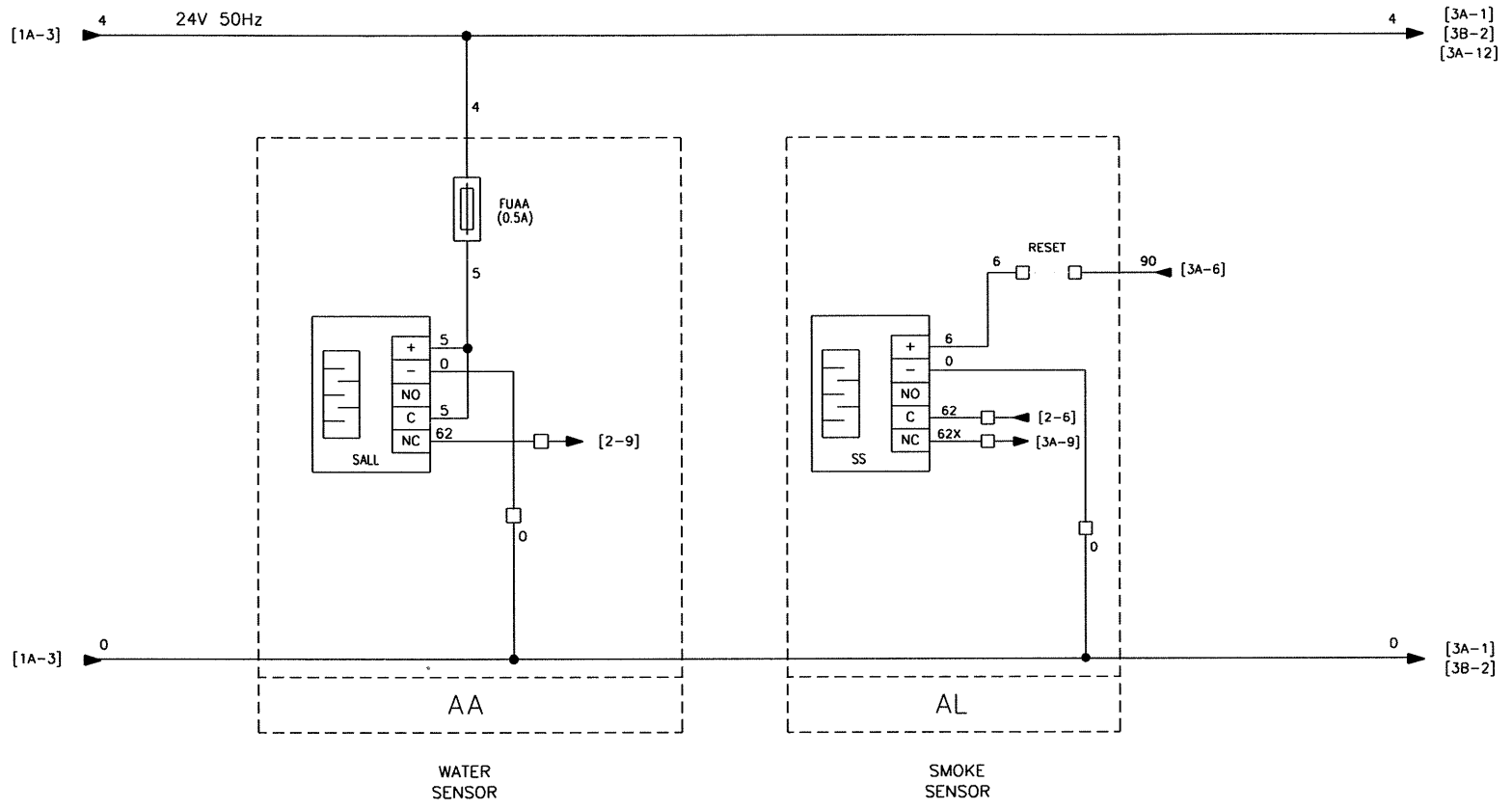


Date	Rev.	Description	Designer	Ver/Appro

UNIT: HCW../.../..		
DESIGNER	VER/APPR	DATA
M.M.	L.A.	20/02/04
FILE: 04020D-1D		

CIRCUITO AUSILIARIO - AUXILIARY CIRCUITS - AUX. SCHALTSCHHEMA - SCHEMA AUXILIAIRE

1 2 3 4 5 6 7 8 9 10 11 12 13 14



[] OPTIONAL

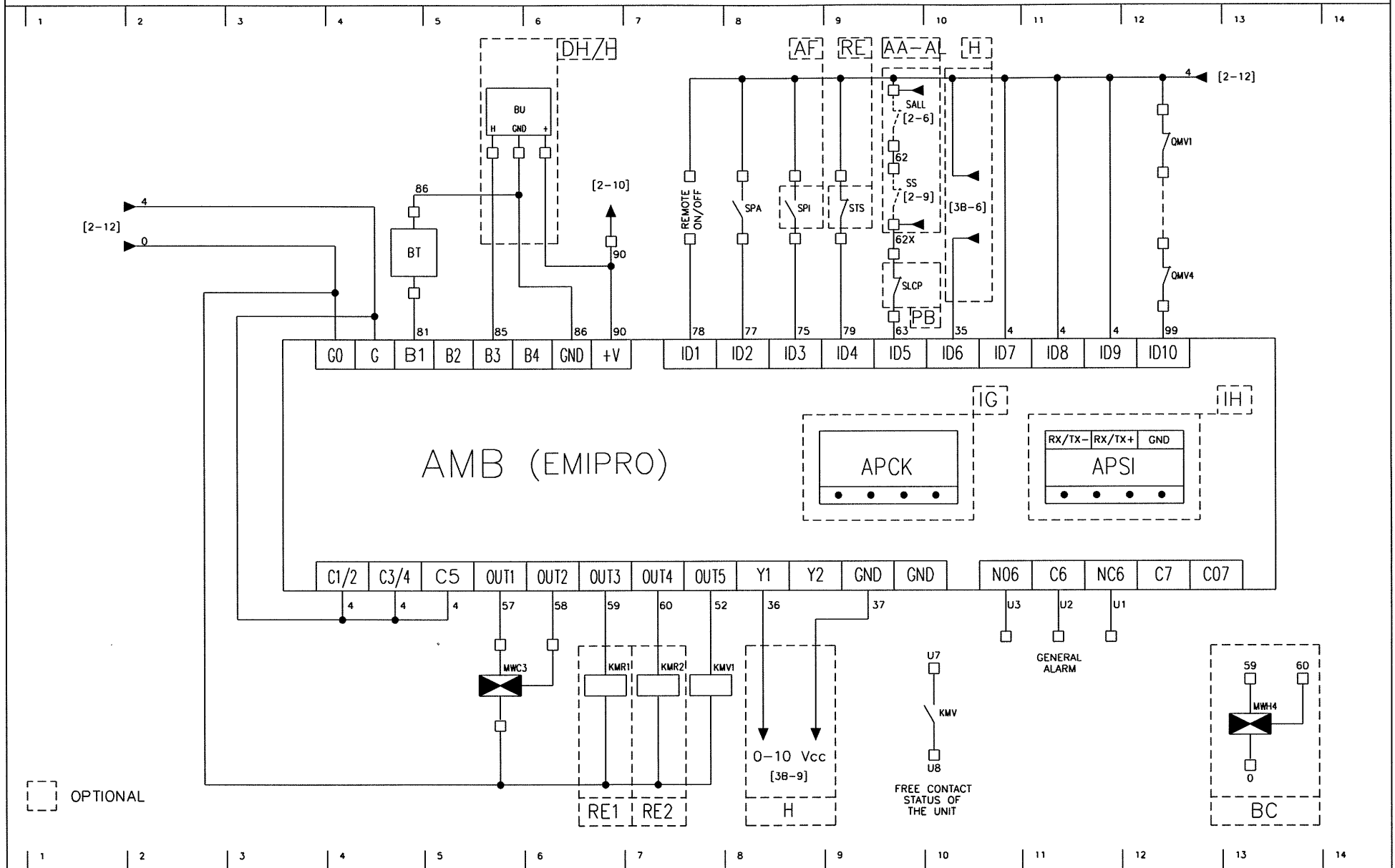
1 2 3 4 5 6 7 8 9 10 11 12 13 14



Date	Rev.	Description	Designer	Ver/Appr

UNIT: HCW.../.../..		
DESIGNER	VER/APPR	DATA
M.M.	L.A.	20/02/04
FILE: 04020D-2		

SCHEDA ELETTRONICA - ELECTRONIC CARD - ELEKTRONISCHE STEUERUNGSKARTE - CARTE ELECTRONIQUE



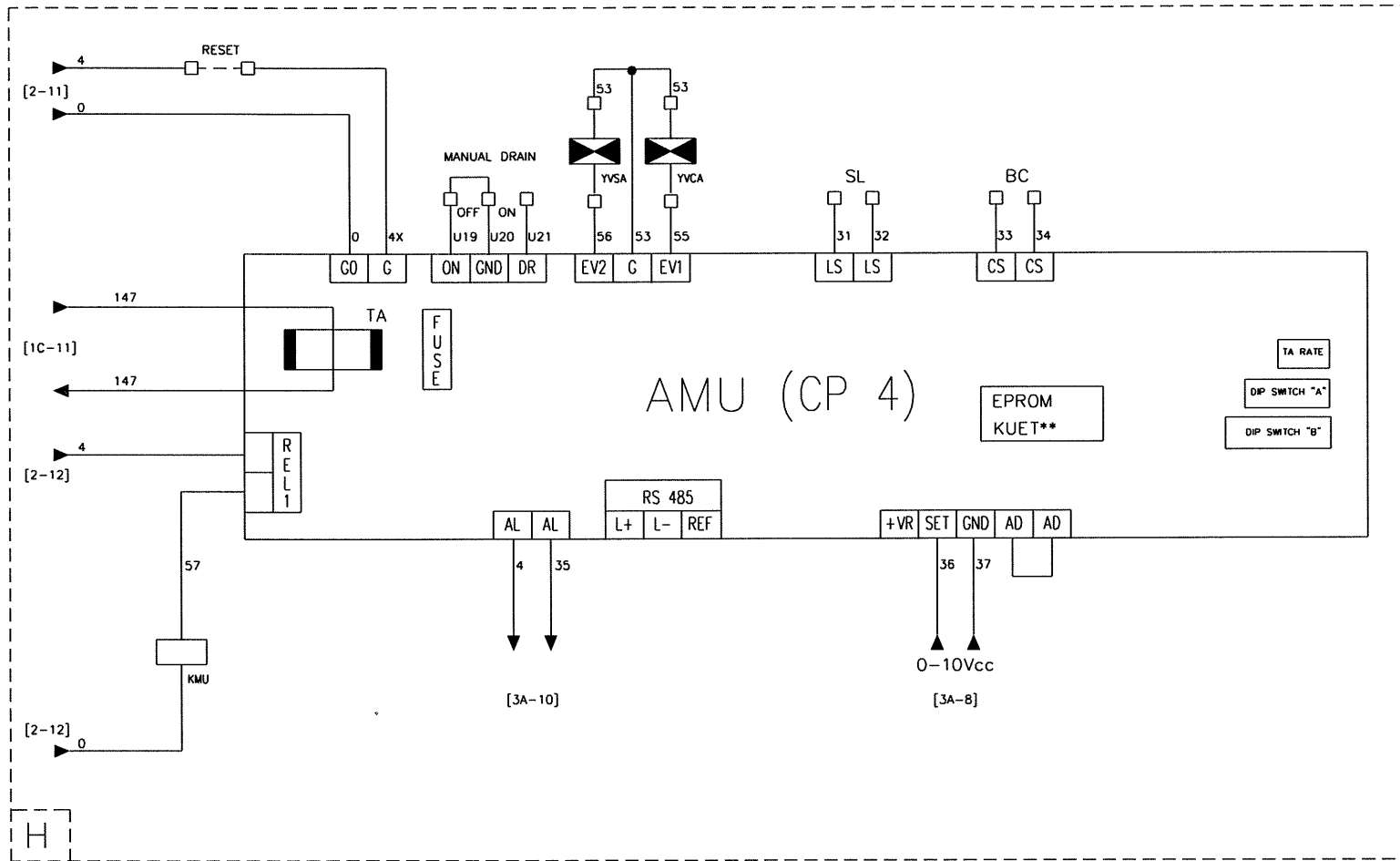
OPTIONAL



UNIT: HCW.../.../..		
DESIGNER	VER/APPR	DATA
M.M.	L.A.	20/02/04
FILE: 04020D-3A		
Date	Rev.	Description
		Designer
		Ver/Appr

SCHEDA ELETTRONICA - ELECTRONIC CARD - ELEKTRONISCHE STEUERUNGSKARTE - CARTE ELECTRONIQUE

1 2 3 4 5 6 7 8 9 10 11 12 13 14



[] OPTIONAL

1 2 3 4 5 6 7 8 9 10 11 12 13 14



Date	Rev.	Description	Designer	Ver/Appro

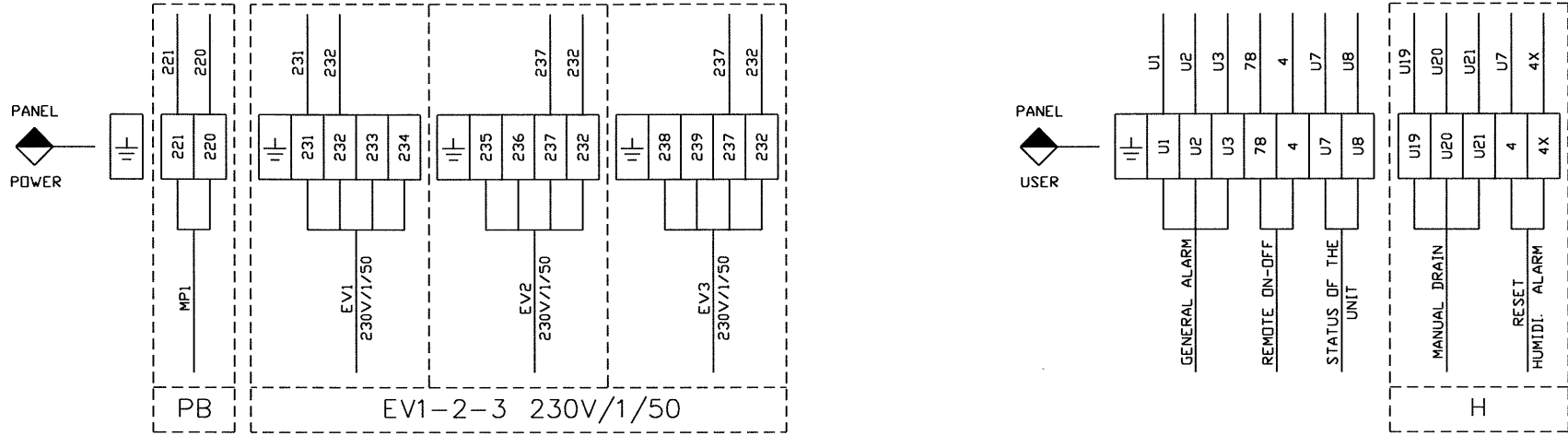
UNIT: HCW.../.../..		
DESIGNER	VER/APPR	DATA
M.M.	L.A.	20/02/04
FILE: 04020D-3B		

MORSETTIERA - ELECTRICAL TERMINAL BOARD - KLEMMEN - SERRE CABLES

1 2 3 4 5 6 7 8 9 10 11 12 13 14

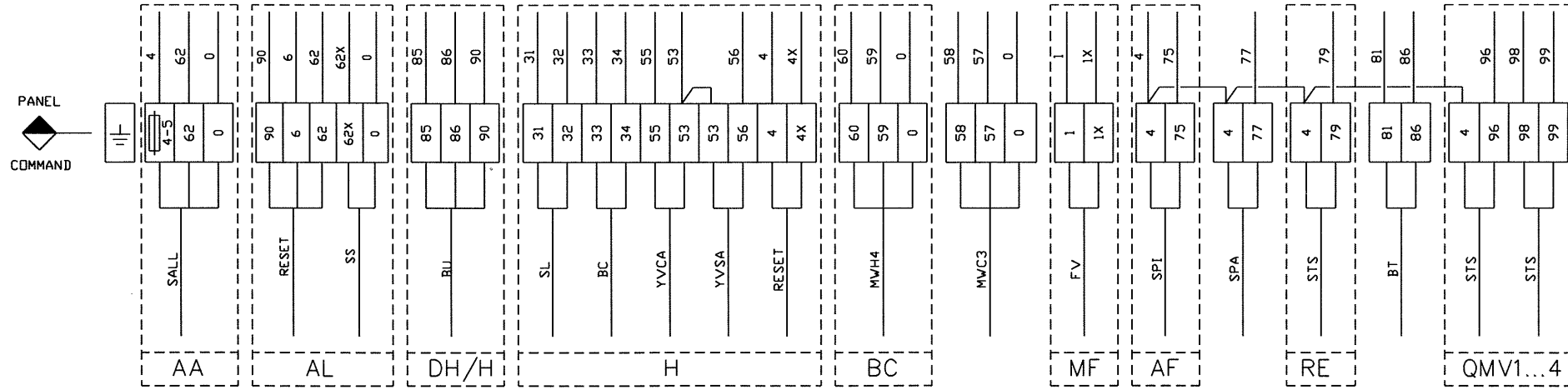
POTENZA / POWER / KRAFT / PUISSANCE

UTENTE / USER / VERBRAUCHER / CLIENT



OPTIONAL

COMANDO / COMMAND / STEUERUNG / COMMANDE



1 2 3 4 5 6 7 8 9 10 11 12 13 14



01/04/04		1	UPDATE	M.M.	M.M.	UNIT: HCW../.../..
Date	Rev.		Description	Designer	Ver/Appr	DESIGNER VER/APPR DATE
						M.M. L.A. 20/02/04
FILE: 04020D-4						