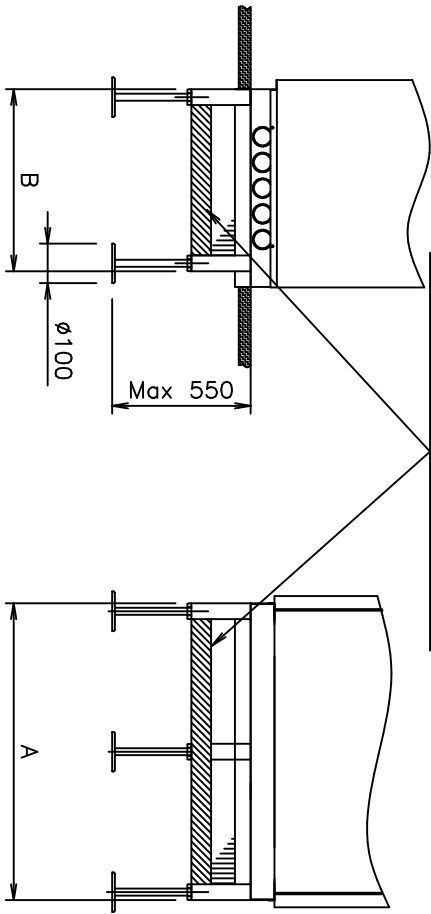
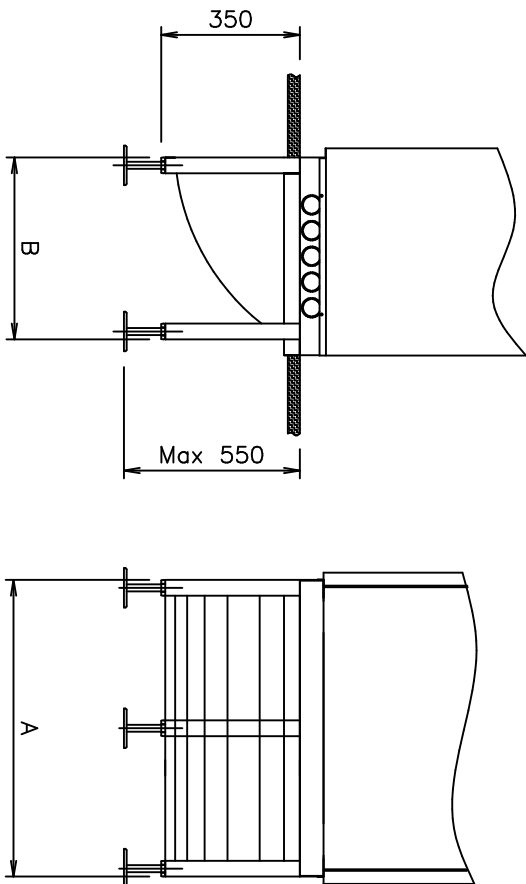


BASE FRAME  
SOUND ATTENUATOR



BASE FRAME WITH SOUND ATTENUATOR JET



BASE FRAME WITH CONVEYOR

Mod.	L1	L2	L3	M1	M2	M3	M4	M5	M6
A	450	600	900	1200	1500	1700	1960	2360	2920
B	500	500	500	600	600	750	750	750	750

OBJECT

TECHNICAL DRAWING

mod.A.C.

BASE FRAME

MATERIAL

/

THICKNESS

/

WEIGHT (kg)

/

DATE

18/03/02

DESIGNER

T3

CODE

C020503YX

FILE C.A.D.

C020503YX

SCALE

1:20

DIMENSION

mm

CHEC./APP.

REV.	DATE	DESCRIPTION	DESIG.	CHEC./APP.
3	27/08/04	MOD. GENERALI	G.P.	

