

INDICE - INDEX - VERZEICHNIS - INDEX

1	2	3	4	5	6	7	8	9	10	11	12	13	14	15
---	---	---	---	---	---	---	---	---	----	----	----	----	----	----

FOGLIO / SHEET BLATT / FEUILLE	DESCRIZIONE / DESCRIPTION BESCHREIBUNG / DESCRIPTION
0	INDICE / INDEX / VERZEICHNIS / INDEX
1A	POTENZA<COMPRESSORI> / POWER<COMPRESSORS> KRAFT<VERDICHTER> / PUISSANCE<COMPRESSEURES>
1B	POTENZA<VENTILATORI> / POWER<FANS> KRAFT<LUFTER> / PUISSANCE<VENTILATEURS>
1C	POTENZA<UMIDIFICATORE> / POWER<HUMIDIFIER> KRAFT<ANFEUCHTER> / PUISSANCE<HUMIDIFICATEUR>
1D	POTENZA<POMPA SCARICO CONDENZA> / POWER<COND. WATER PUMP> KRAFT<KOND. WASSER PUMPE> / PUISSANCE<POMPE EAU DE COND.>
2	CIRCUITO AUSILIARIO / AUXILIARY CIRCUIT HELFEND KREISLAUF / CIRCUIT AUXILIAIRE
3A	SCHEDA ELETTRONICA / ELECTRONIC CARD ELEKTRONISCHE / CARTE ELECTRONIQUE
3B	SCHEDA ELETTRONICA<UMIDIFICATORE> / ELECTRONIC CARD <HUMIDIFIER> ELEKTRONISCHE<ANFEUCHTER> / CARTE ELECTRONIQUE <HUMIDIFICATEUR>
4	MORSETTIERA / TERMINAL BOARD / KLEMMEN / ELECTRIQUE BORNE

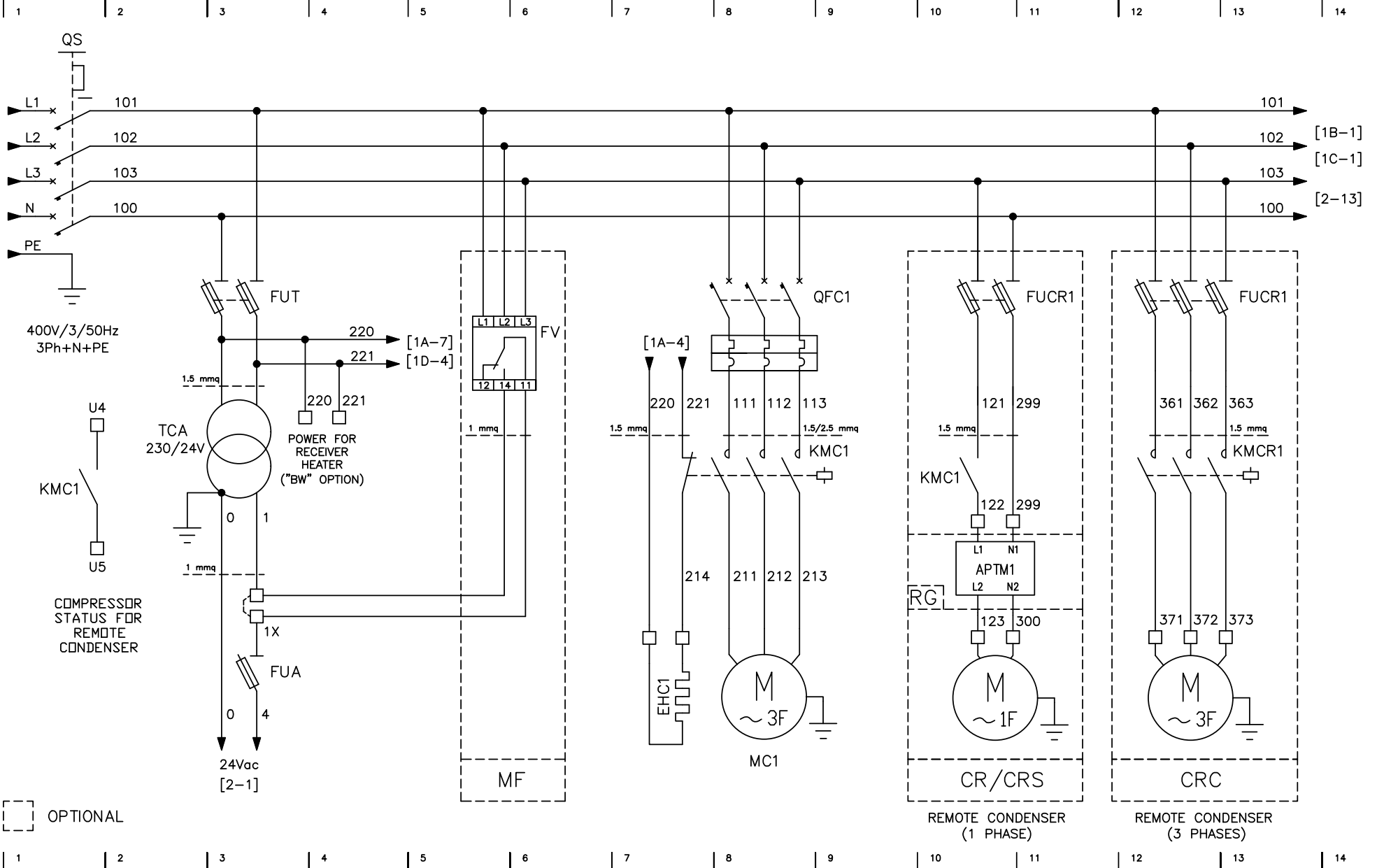
1	2	3	4	5	6	7	8	9	10	11	12	13	14	15
---	---	---	---	---	---	---	---	---	----	----	----	----	----	----



Date	Rev.	Description						Designer	Ver/Appr					

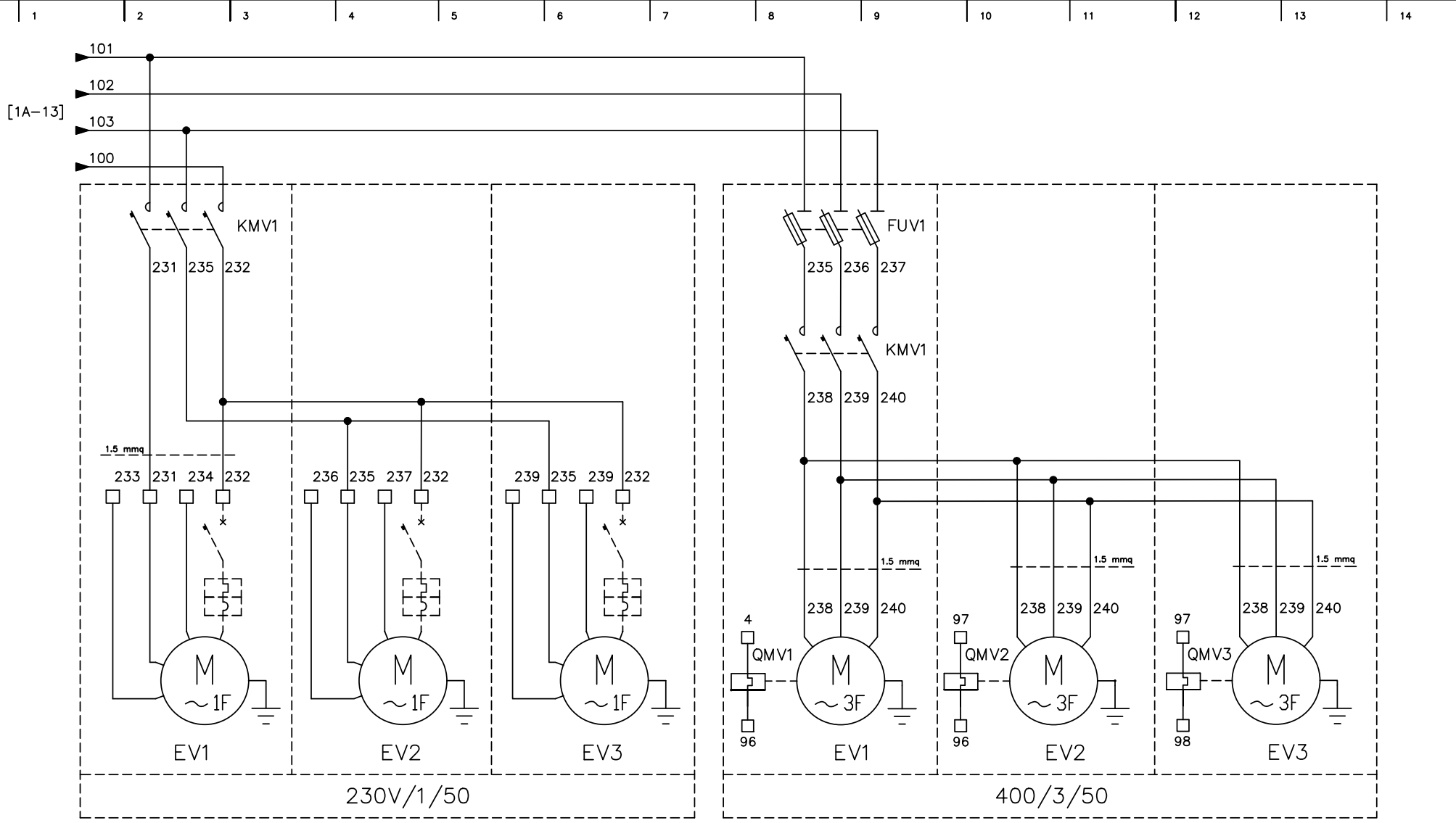
UNIT:	E.D.A 1 COMPRESSOR		
DESIGNER	VER/APPR	DATE	
M.M.	L.A.	21/11/05	
FILE:	05269-0		

SCHEMA DI POTENZA - POWER DIAGRAM - LEISTUNGSGESATSCHEMA - SCHEMA DE PUISSANCE



							UNIT:		ED.A 1 COMPRESSOR				
							DESIGNER		VER/APPR		DATE		
							M.M.		L.A.		21/11/05		
							FILE:		05269-1A				
Date	Rev.	Description					Designer	Ver/Appr					

SCHEMA DI POTENZA - POWER DIAGRAM - LEISTUNGSESATSCHEMA - SCHEMA DE PUISSANCE



OPTIONAL

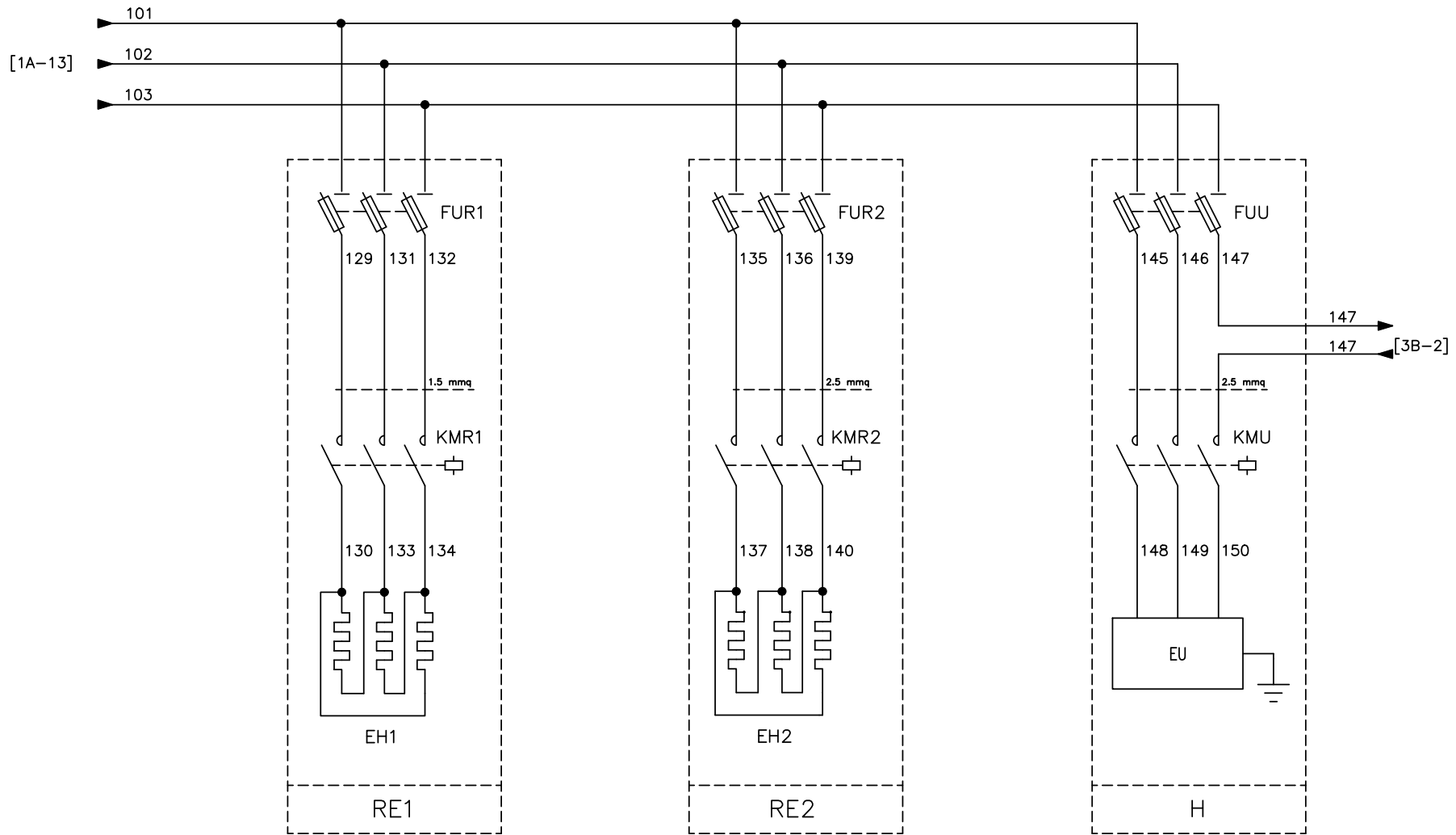


Date	Rev.	Description	Designer	Ver/Appr

UNIT:		
ED.A 1 COMPRESSOR		
DESIGNER	VER/APPR	DATE
M.M.	L.A.	21/11/05
FILE:		05269-1B

SCHEMA DI POTENZA - POWER DIAGRAM - LEISTUNGSGESATSCHEMA - SCHEMA DE PUISSANCE

1 2 3 4 5 6 7 8 9 10 11 12 13 14



OPTIONAL

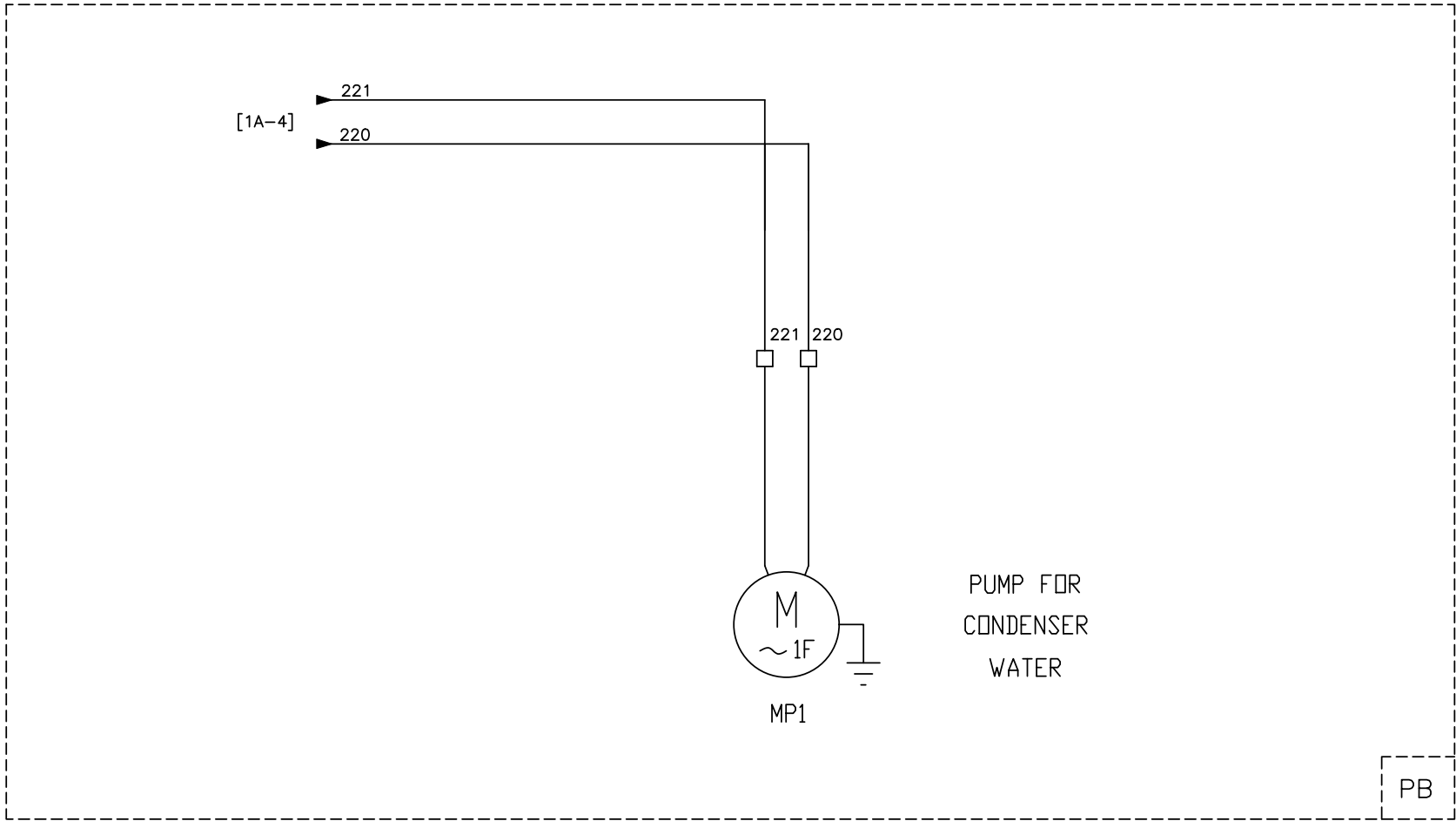
1 2 3 4 5 6 7 8 9 10 11 12 13 14



				UNIT: ED.A 1 COMPRESSOR			
DESIGNER		VER/APPR		DATA			
M.M.		L.A.		21/11/05			
FILE: 05269-1C							
Data	Rev.	Description		Designer		Ver/Appr	

SCHEMA DI POTENZA – POWER DIAGRAM – LEISTUNGSESATSCHEMA – SCHEMA DE PUISSANCE

1 | 2 | 3 | 4 | 5 | 6 | 7 | 8 | 9 | 10 | 11 | 12 | 13 | 14



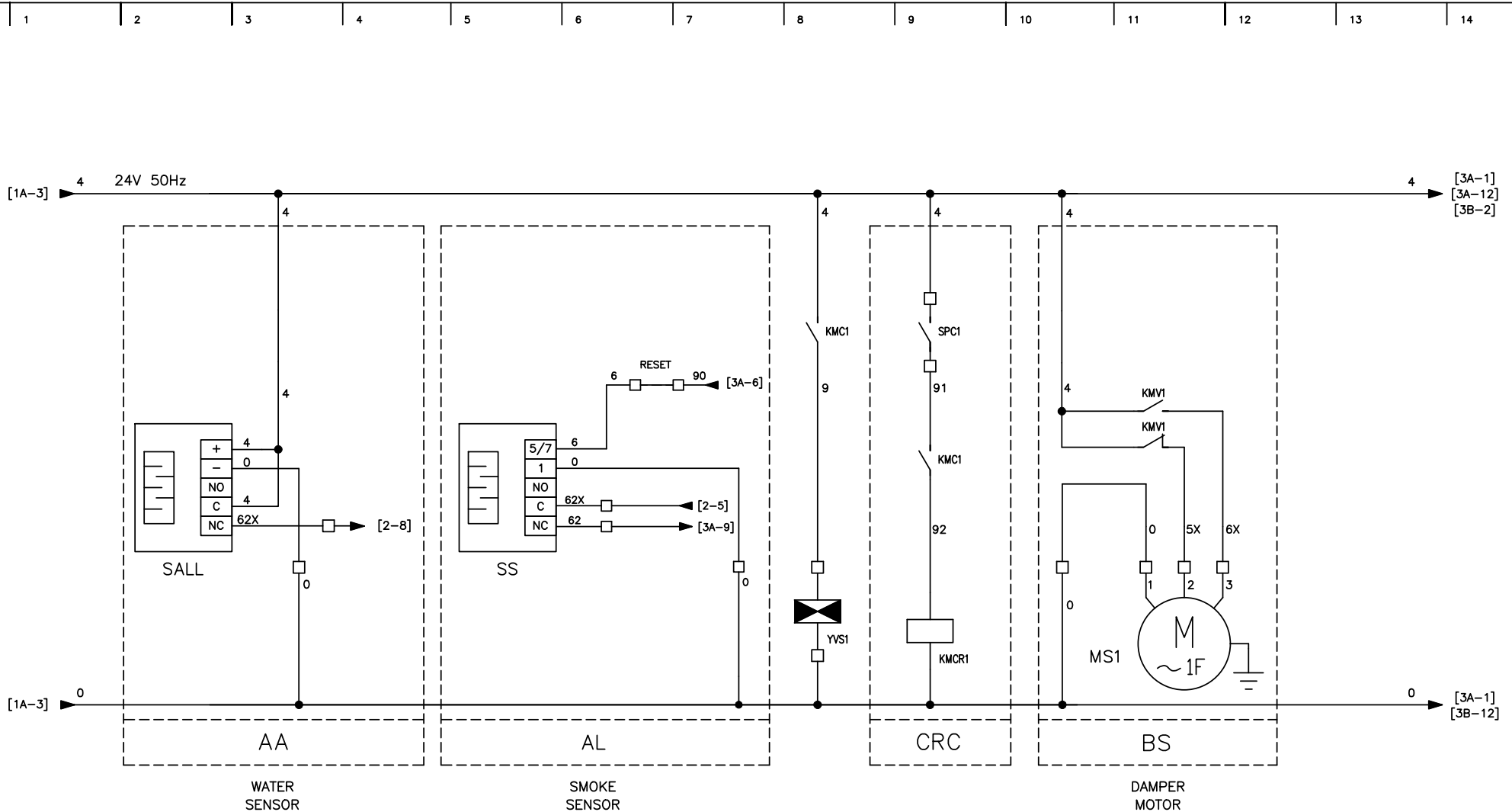
OPTIONAL

1 | 2 | 3 | 4 | 5 | 6 | 7 | 8 | 9 | 10 | 11 | 12 | 13 | 14



				UNIT:				ED.A 1 COMPRESSOR					
				DESIGNER		VER/APPR		DATA					
				M.M.		L.A.		21/11/05					
				FILE:				05269-1D					
Data	Rev.	Description				Designer	Ver/Apr						

CIRCUITO AUSILIARIO – AUXILIARY CIRCUITS – AUX. SCHALTSCHHEMA – SCHEMA AUXILIAIRE



[ ] OPTIONAL

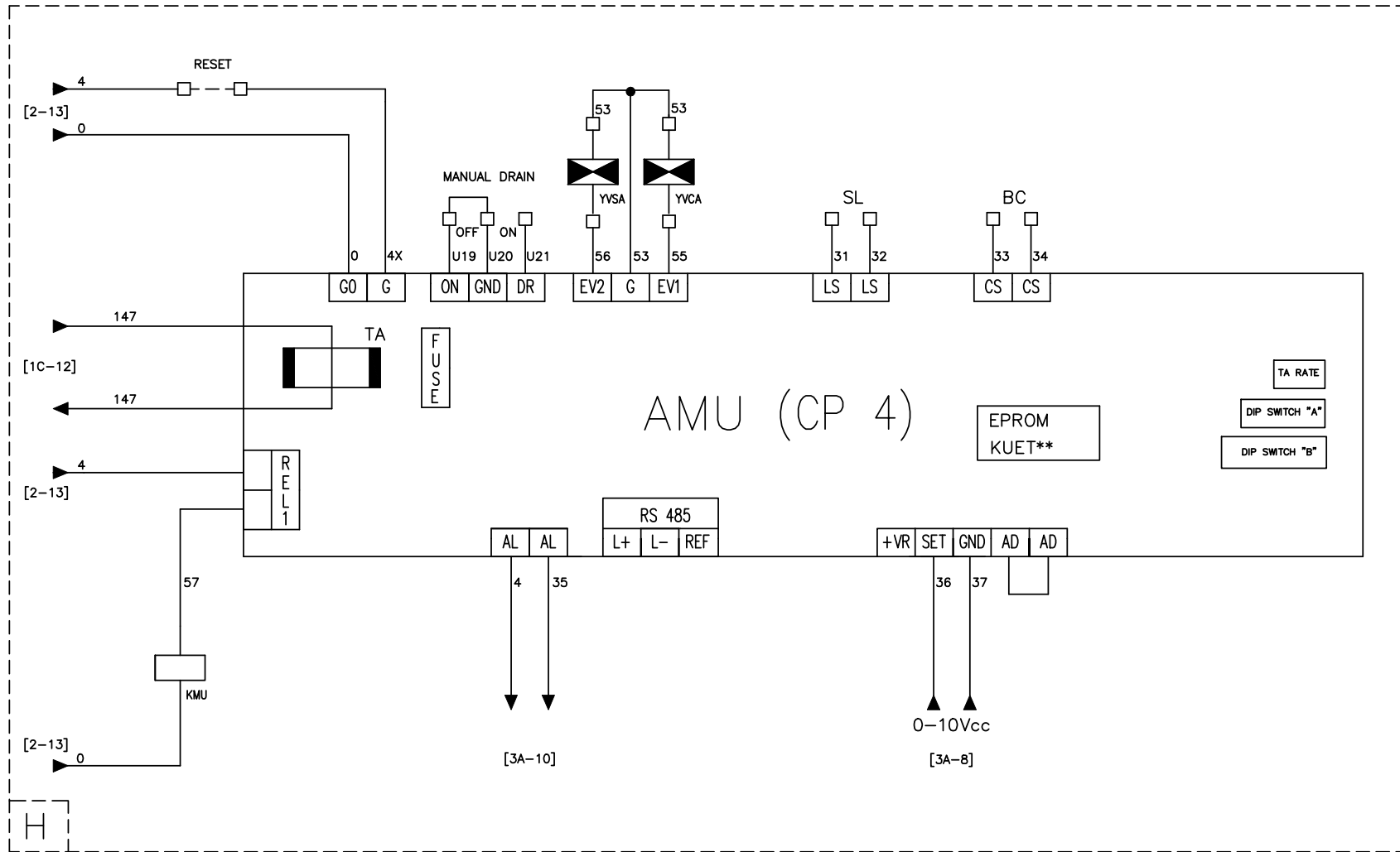


													UNIT:		
													ED.A 1 COMPRESSOR		
													DESIGNER	VER/APPR	DATA
													M.M.	L.A.	21/11/05
													FILE:		
													05269-2		
Data	Rev.	Description										Designer	Ver/Appr		



SCHEDA ELETTRONICA - ELECTRONIC CARD - ELEKTRONISCHE STEUERUNGSKARTE - CARTE ELECTRONIQUE

1 2 3 4 5 6 7 8 9 10 11 12 13 14



OPTIONAL

1 2 3 4 5 6 7 8 9 10 11 12 13 14



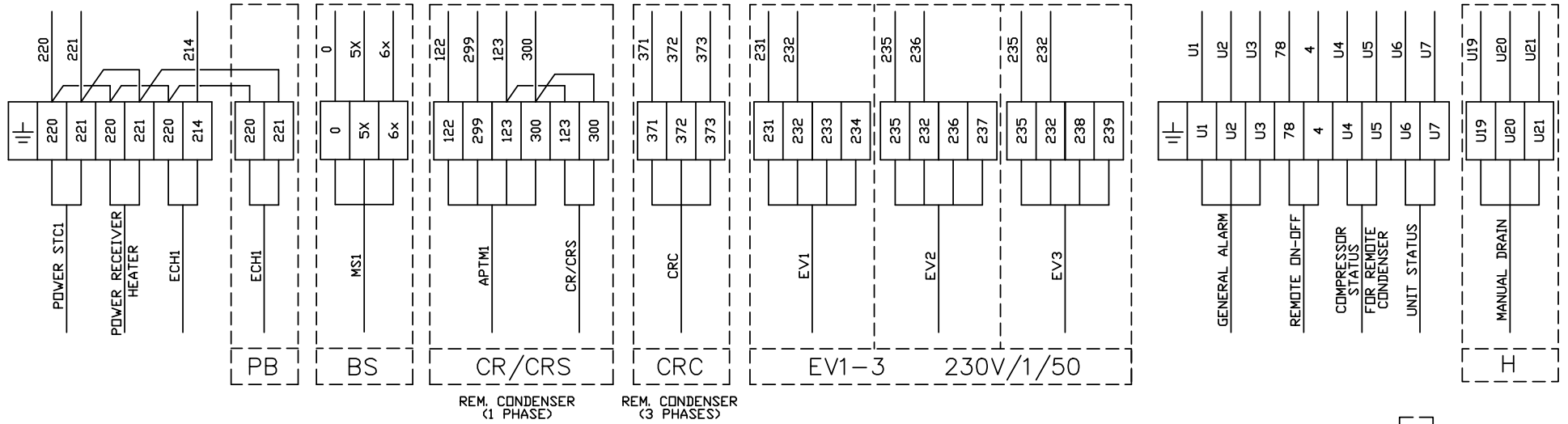
				UNIT:				ED.A 1 COMPRESSOR			
				DESIGNER		VER/APPR		DATA			
				M.M.		L.A.		21/11/05			
				FILE:				05269-3B			
Data	Rev.	Description		Designer	Ver/Appr						



MORSETTIERA - ELECTRICAL TERMINAL BOARD - KLEMMEN - SERRE CABLES

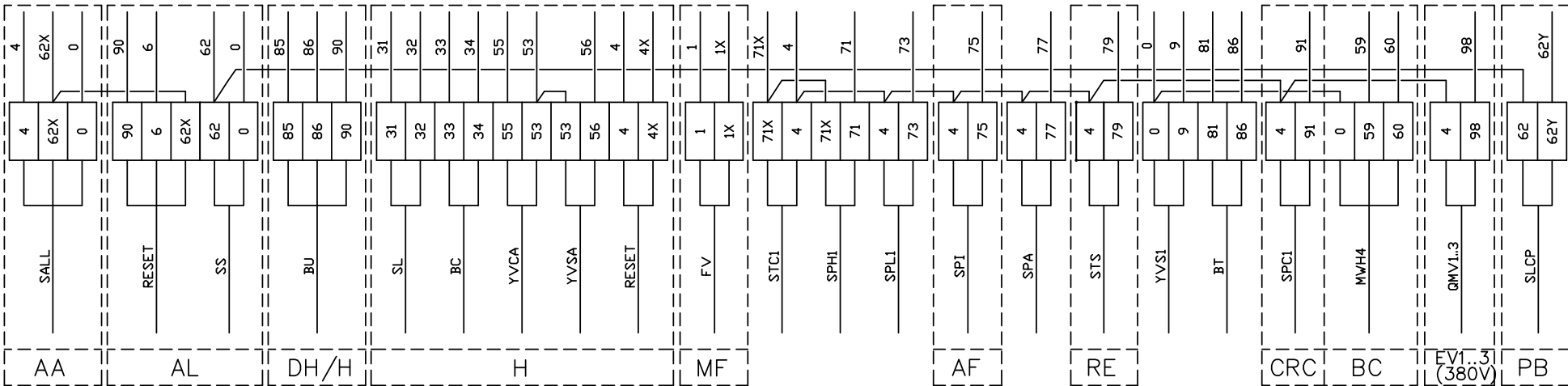
POTENZA / POWER / KRAFT / PUISSANCE

UTENTE / USER / VERBRAUCHER / CLIENT



COMANDO / COMMAND / STEUERUNG / COMMANDE

OPTIONAL



Date	Rev.	Description	Designer	Ver/Appr

UNIT: ED.A 1 COMPRESSOR		
DESIGNER	VER/APPR	DATE
M.M.	L.A.	21/11/05
FILE: 05269-4		