

1 2 3 4 5 6 7 8 9 10 11 12 13 14 15

FOGLIO / SHEET BLATT / FEUILLE	DESCRIZIONE / DESCRIPTION BESCHREIBUNG / DESCRIPTION
0	INDICE / INDEX / VERZEICHNIS / INDEX
1A	POTENZA<COMPRESSORI> / POWER<COMPRESSORS> KRAFT<VERDICHTER> / PUISSANCE<COMPRESSEURES>
1B	POTENZA<UMIDIFICATORE> / POWER<HUMIDIFIER> KRAFT<ANFEUCHTER> / PUISSANCE<HUMIDIFICATEUR>
1C	POTENZA<VENTILATORI> / POWER<FANS> KRAFT<LUFTER> / PUISSANCE<VENTILATEURS>
1D	POTENZA<POMPA RACCOLTA CONDENSA> / POWER<PUMP FOR CONDENSER WATER> KRAFT<PUMPE FUER KONDENSWASSER> / PUISSANCE<POMPE POUR EAU DE CONDENSATION>
2	CIRCUITO AUSILIARIO / AUXILIARY CIRCUIT HELFEND KREISLAUF / CIRCUIT AUXILIAIRE
3A, 3B	SCHEDA ELETTRONICA / ELECTRONIC CARD ELEKTRONISCHE / CARTE ELECTRONIQUE
3C	SCHEDA ELETTRONICA<UMIDIFICATORE> / ELECTRONIC CARD <HUMIDIFIER> ELEKTRONISCHE<ANFEUCHTER> / CARTE ELECTRONIQUE <HUMIDIFICATEUR>
3D	DISPLAY LCD / LCD DISPLAY / LCD DISPLAY / DISPLAY LCD
4, 5	MORSETTIERA / TERMINAL BOARD / KLEMMEN / ELECTRIQUE BORNE

1 2 3 4 5 6 7 8 9 10 11 12 13 14 15

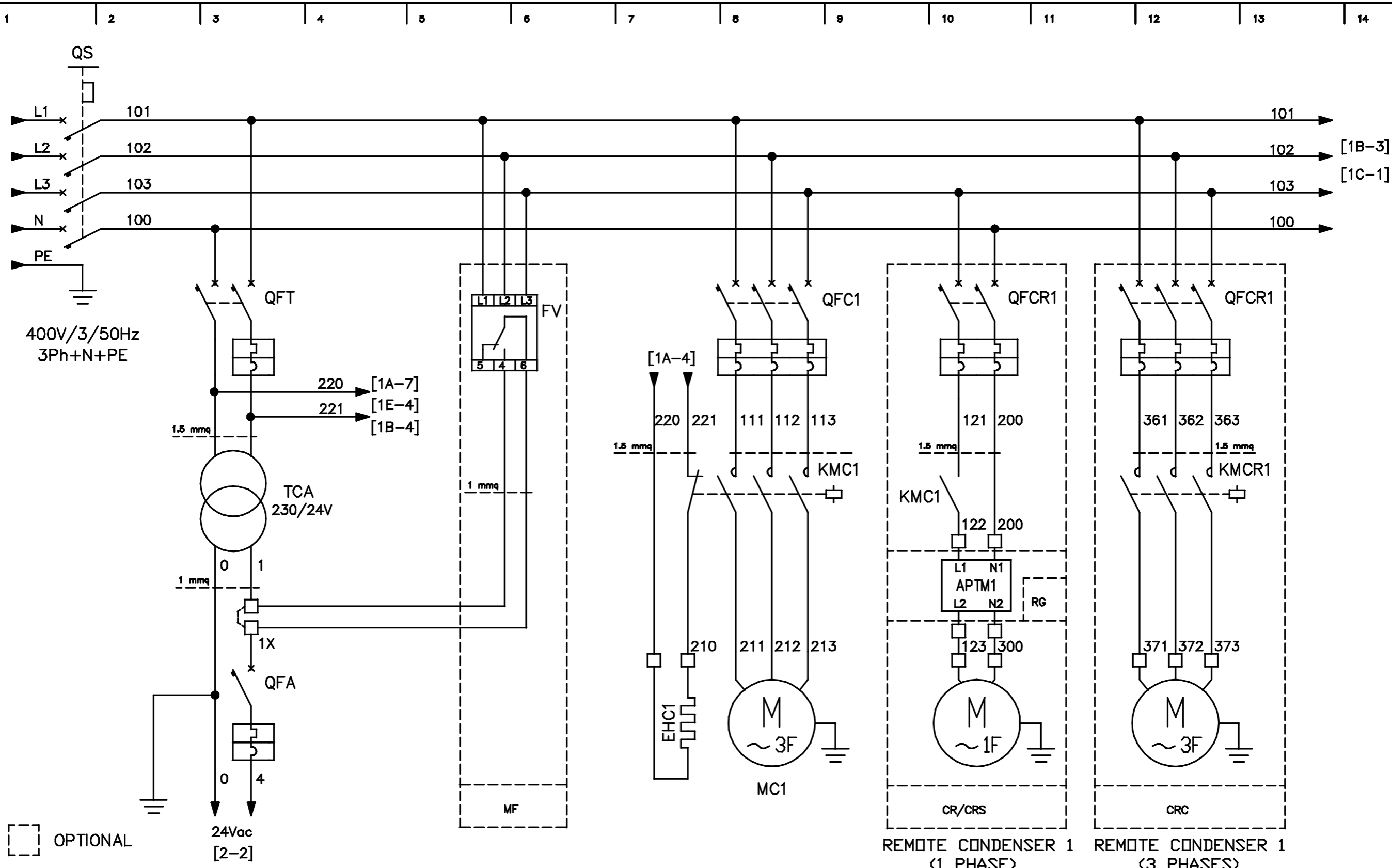


EMICON
HIGH TECHNOLOGY IN AIR CONDITIONING

Via A. Dragoni 59
47100 Forlì
ITALY

Date	Rev.	Description	Designer	Ver/Appro

UNIT:	ED. 1 COMPRESSOR (GRAPHIC DISPLAY)		
DESIGNER	VER/APPR	DATE	
LA	LA	02/02/05	
FILE:	05019D-0		



OPTIONAL

24Vac
[2-2]

REMOTE CONDENSER 1
(1 PHASE)

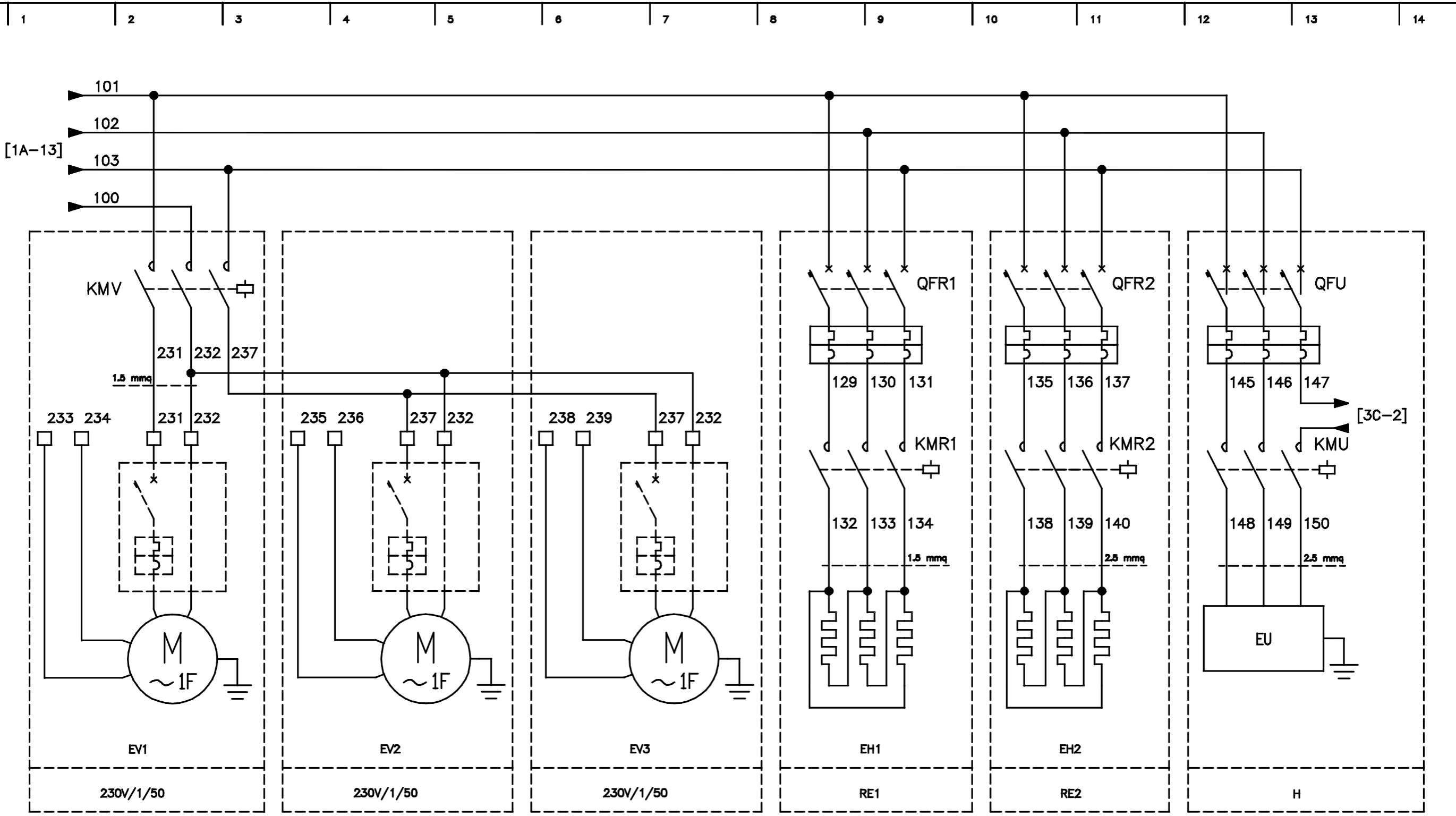
REMOTE CONDENSER 1
(3 PHASES)

EMICON
HIGH TECHNOLOGY IN AIR CONDITIONING

Via A. Dragoni 59
47100 Forlì
ITALY

Date	Rev.	Description	Designer	Ver/Appr

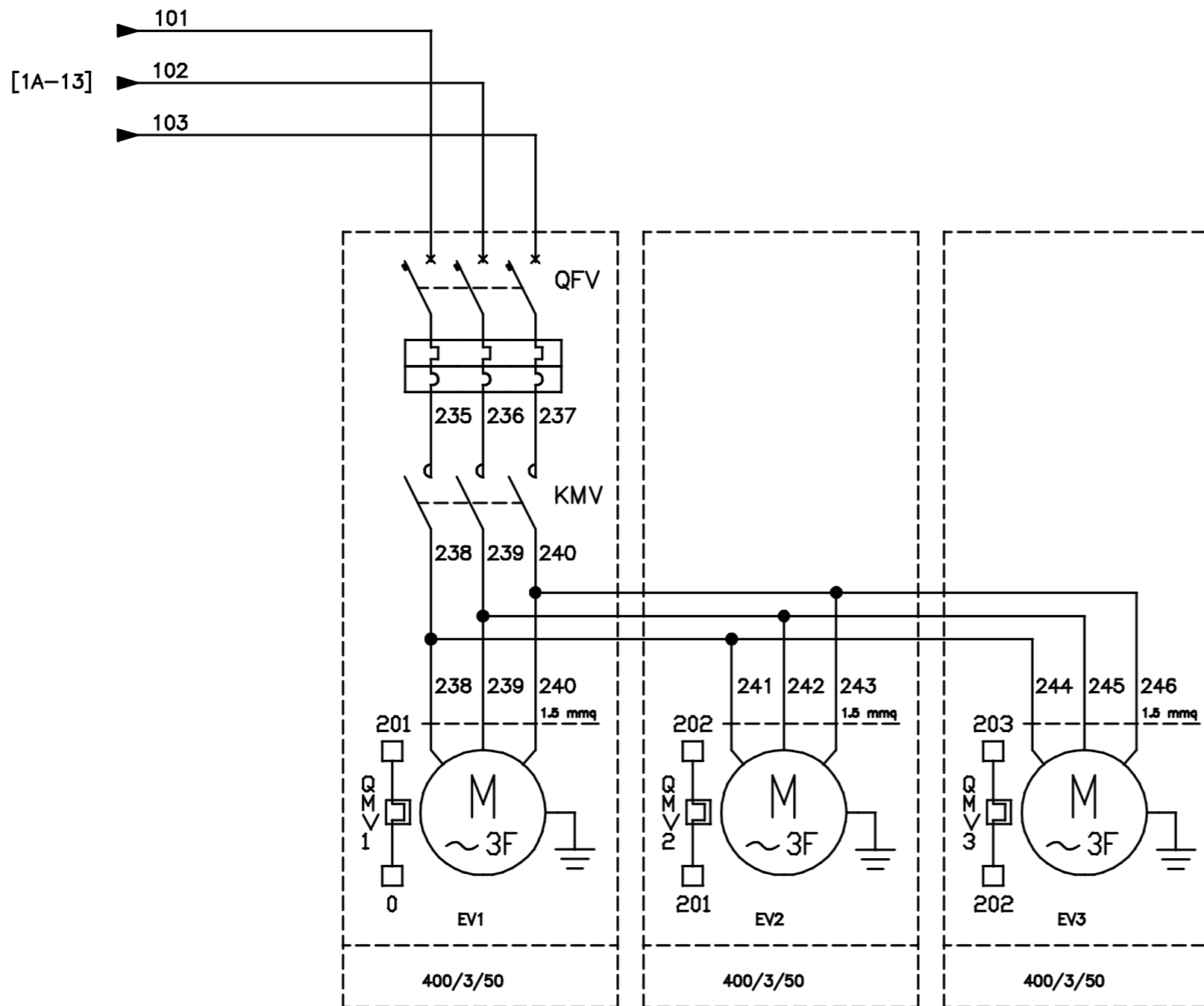
UNIT: ED. 1 COMPRESSOR (GRAPHIC DISPLAY)		
DESIGNER	VER/APPR	DATE
L.A.	L.A.	02/02/05
FILE: 05019D-1A		



OPTIONAL

1	2	3	4	5	6	7	8	9	10	11	12	13	14	
												UNIT: ED. 1 COMPRESSOR (GRAPHIC DISPLAY)		
												DESIGNER	VER/APPR	DATE
Via A. Drogoni 59 47100 Forlì ITALY												L.A.	L.A.	02/02/05
HIGH TECHNOLOGY IN AIR CONDITIONING												FILE: 05019D-1B		
Date	Rev.	Description	Designer	Ver/Appr										

1	2	3	4	5	6	7	8	9	10	11	12	13	14
---	---	---	---	---	---	---	---	---	----	----	----	----	----



 OPTIONAL

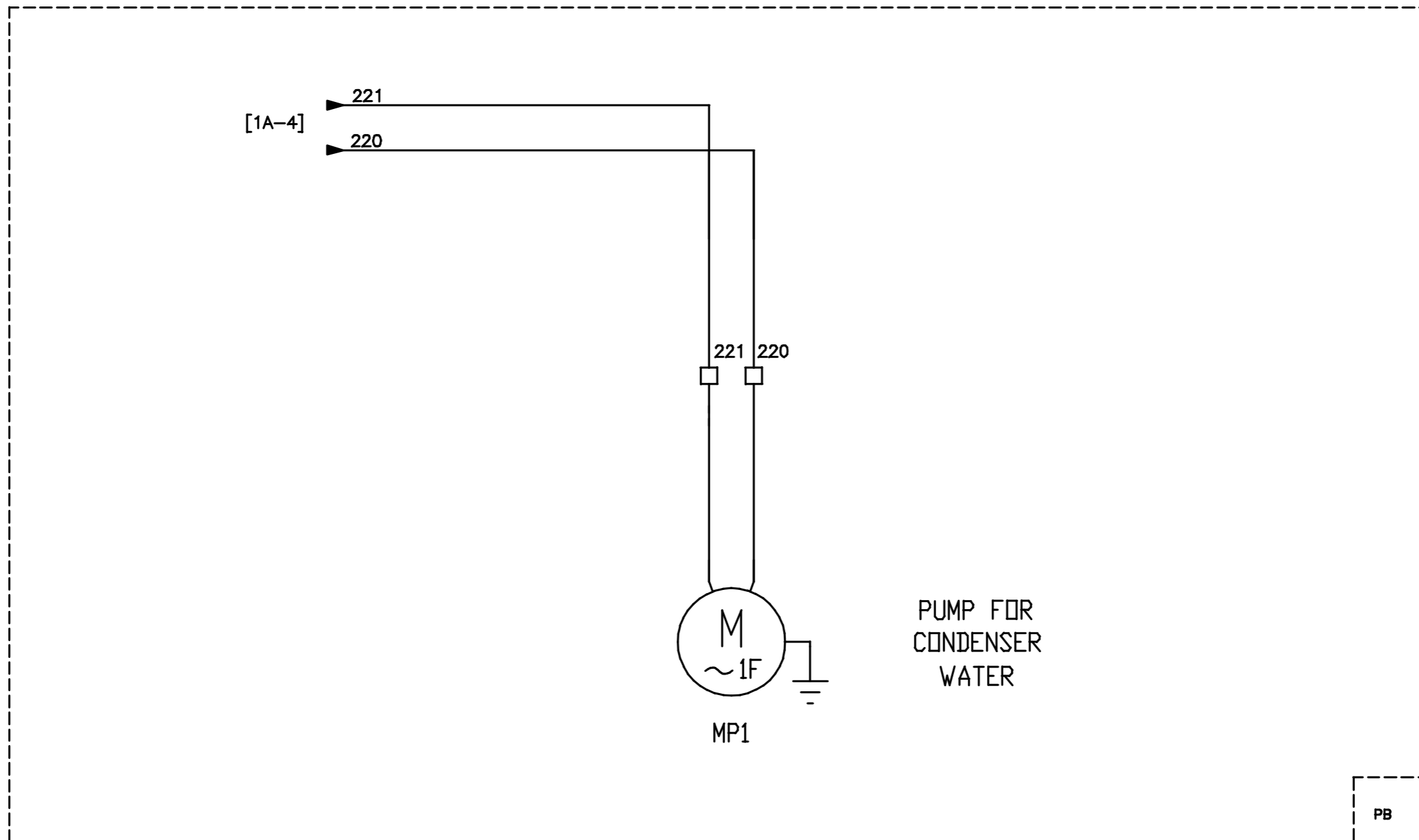
1	2	3	4	5	6	7	8	9	10	11	12	13	14
---	---	---	---	---	---	---	---	---	----	----	----	----	----

Via A. Drogoni 59
47100 Forlì
ITALY

Date	Rev.	Description	Designer	Ver/Appr

UNIT: ED. 1 COMPRESSOR (GRAPHIC DISPLAY)		
DESIGNER	VER/APPR	DATE
L.A.	L.A.	02/02/05
FILE: 05019D-1C		

1 2 3 4 5 6 7 8 9 10 11 12 13 14



1 2 3 4 5 6 7 8 9 10 11 12 13 14

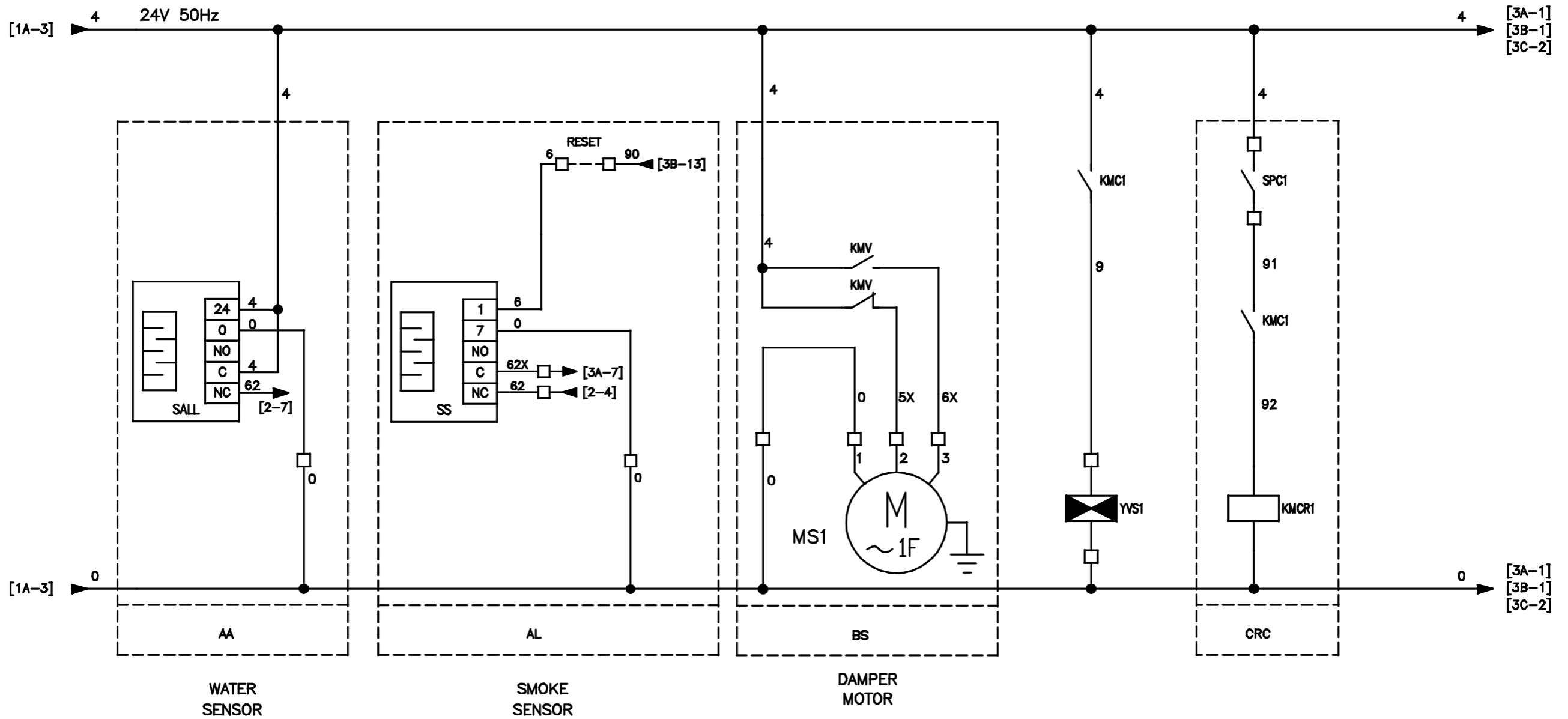
EMICON
HIGH TECHNOLOGY IN AIR CONDITIONING

Via A. Dragoni 59
47100 Forlì
ITALY

Date	Rev.	Description	Designer	Ver/Appr

UNIT: ED. 1 COMPRESSOR (GRAPHIC DISPLAY)		
DESIGNER	VER/APPR	DATE
L.A.	L.A.	02/02/05
FILE: 05019D-1D		

1 2 3 4 5 6 7 8 9 10 11 12 13 14



OPTIONAL

1 2 3 4 5 6 7 8 9 10 11 12 13 14

EMICON
HIGH TECHNOLOGY IN AIR CONDITIONING

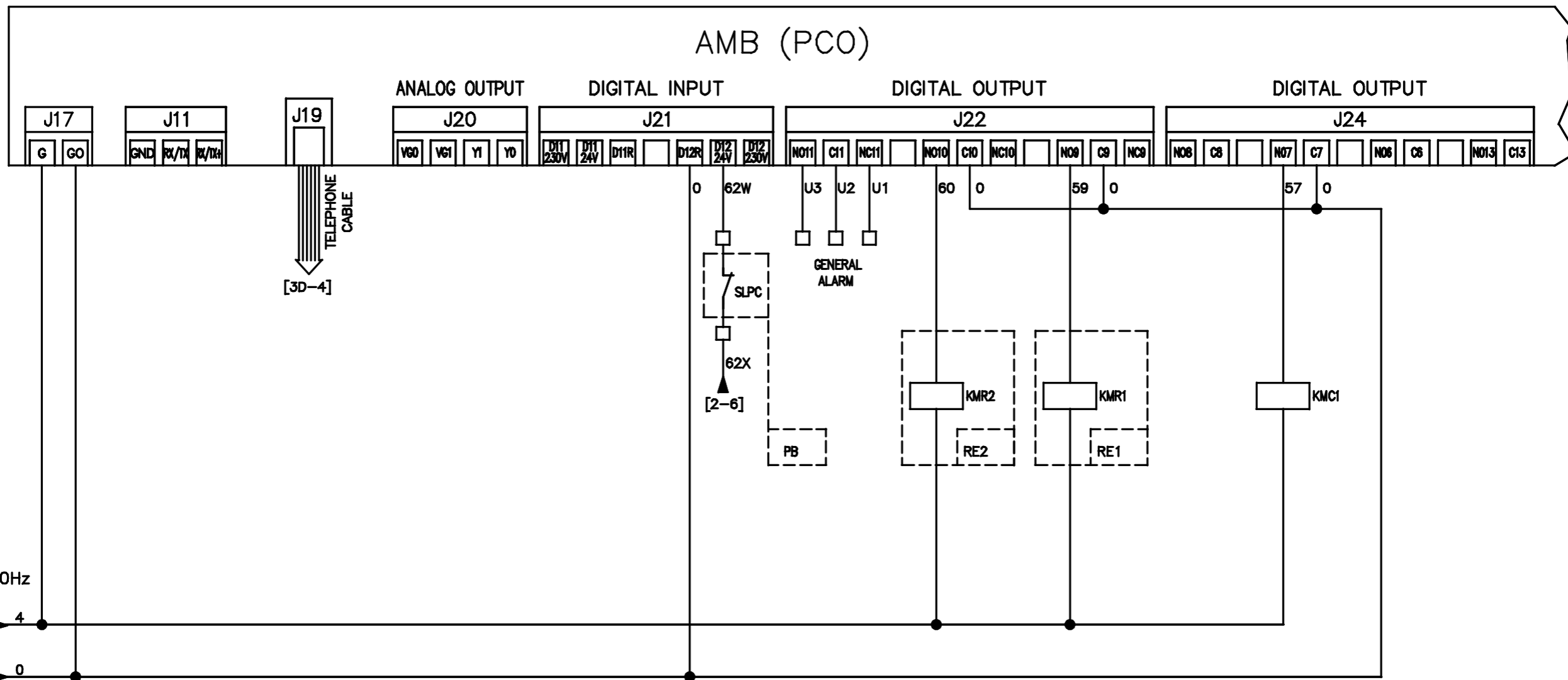
Via A. Drogoni 59
47100 Forlì
ITALY

Date	Rev.	Description	Designer	Ver/Appr

UNIT: ED. 1 COMPRESSOR (GRAPHIC DISPLAY)		
DESIGNER	VER/APPR	DATE
L.A.	L.A.	02/02/05
FILE: 05019D-2		

1	2	3	4	5	6	7	8	9	10	11	12	13	14
---	---	---	---	---	---	---	---	---	----	----	----	----	----

EPROM : EPSTDECGUA
VER. 1.1C 22/02/04



[] OPTIONAL

1	2	3	4	5	6	7	8	9	10	11	12	13	14
---	---	---	---	---	---	---	---	---	----	----	----	----	----

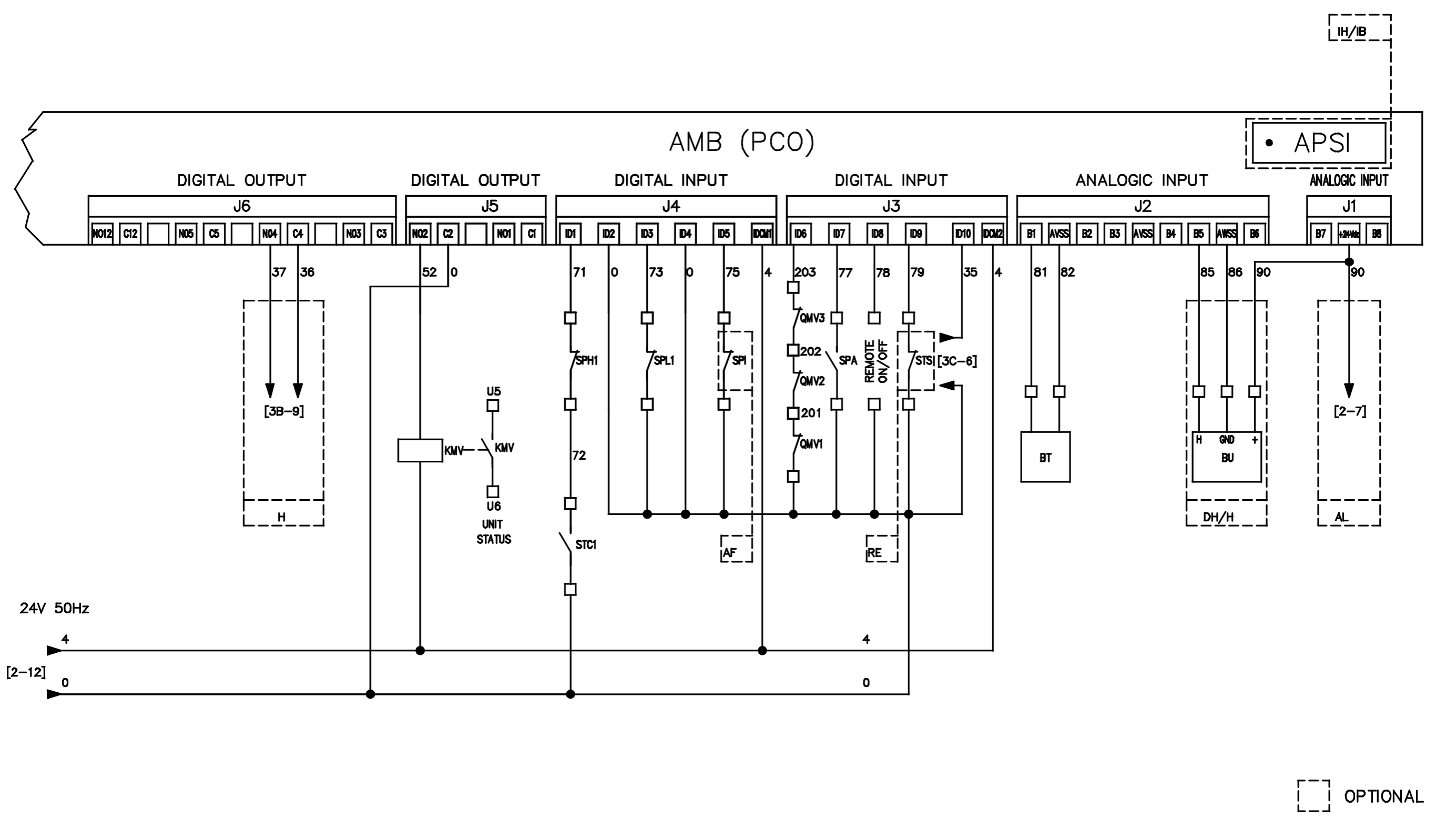


Via A. Dragoni 50
47100 Forlì
ITALY

Date	Rev.	Description	Designer	Ver/Appr

UNIT: ED. 1 COMPRESSOR (GRAPHIC DISPLAY)		
DESIGNER	VER/APPR	DATE
L.A.	L.A.	02/02/05
FILE: 05019D-3A		

1 2 3 4 5 6 7 8 9 10 11 12 13 14



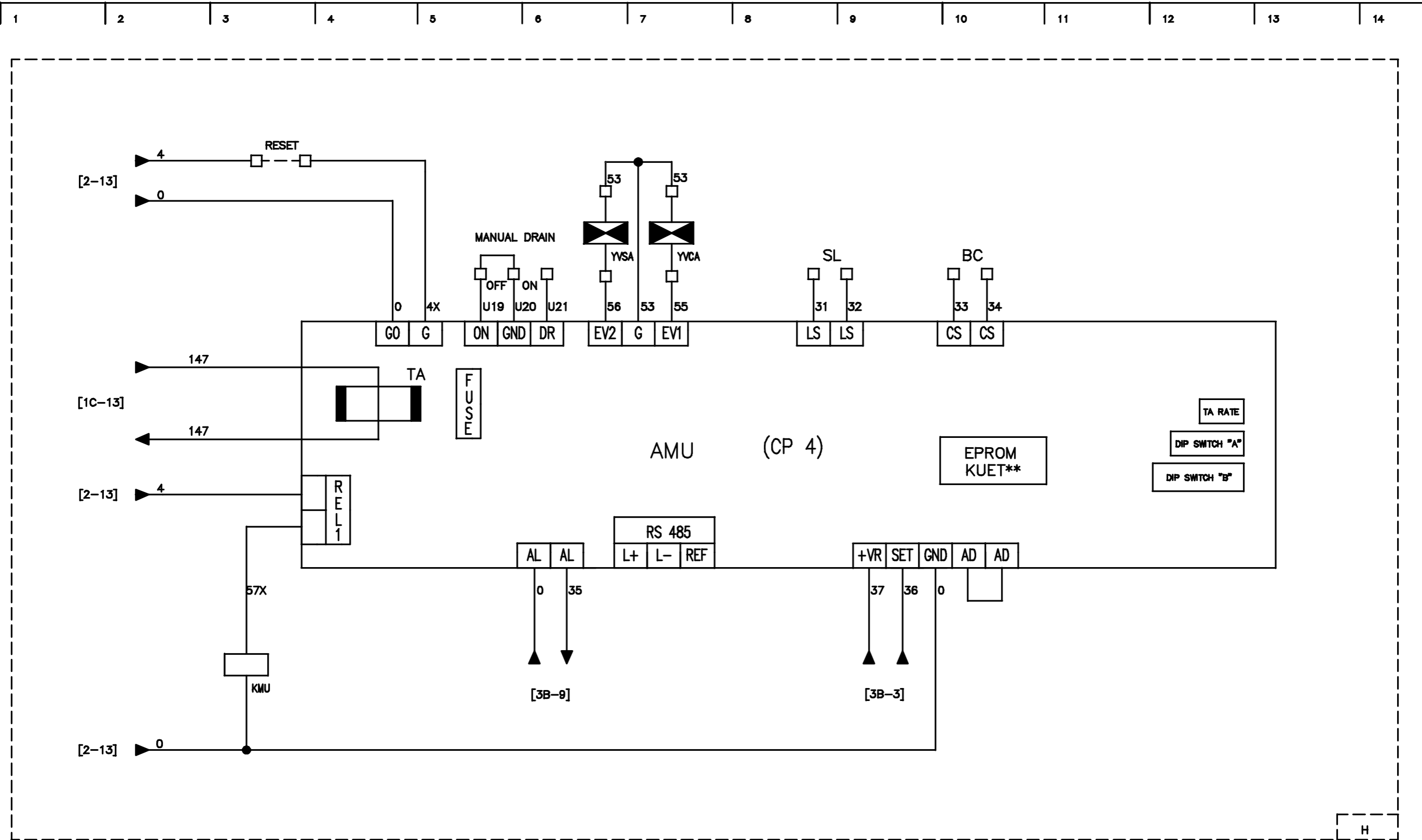
1 2 3 4 5 6 7 8 9 10 11 12 13 14

EMICON
HIGH TECHNOLOGY IN AIR CONDITIONING

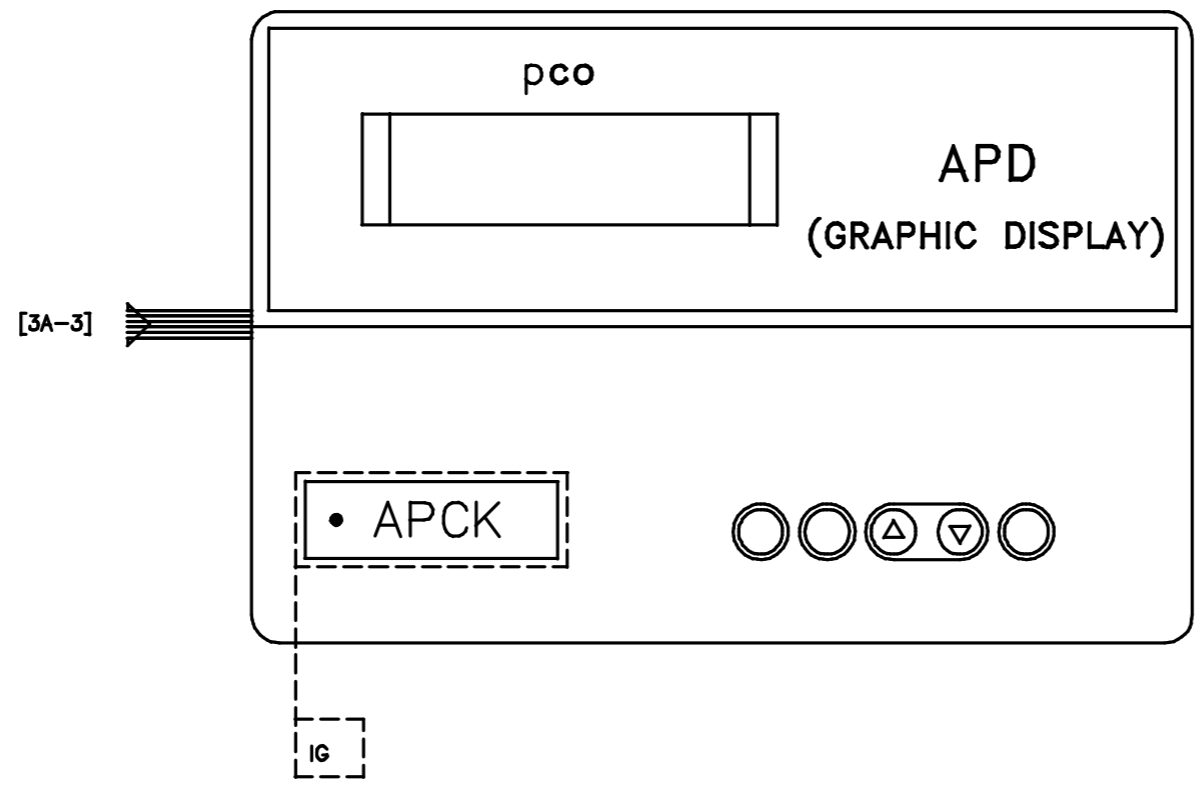
Via A. Dragoni 89
47100 Forlì
ITALY

Date	Rev.	Description	Designer	Ver/Appr

UNIT: ED. 1 COMPRESSOR (GRAPHIC DISPLAY)		
DESIGNER	VER/APPR	DATE
L.A.	L.A.	02/02/05
FILE: 05019D-3B		



1	2	3	4	5	6	7	8	9	10	11	12	13	14
---	---	---	---	---	---	---	---	---	----	----	----	----	----



1	2	3	4	5	6	7	8	9	10	11	12	13	14
---	---	---	---	---	---	---	---	---	----	----	----	----	----



Via A. Dragoni 50
47100 Forlì
ITALY

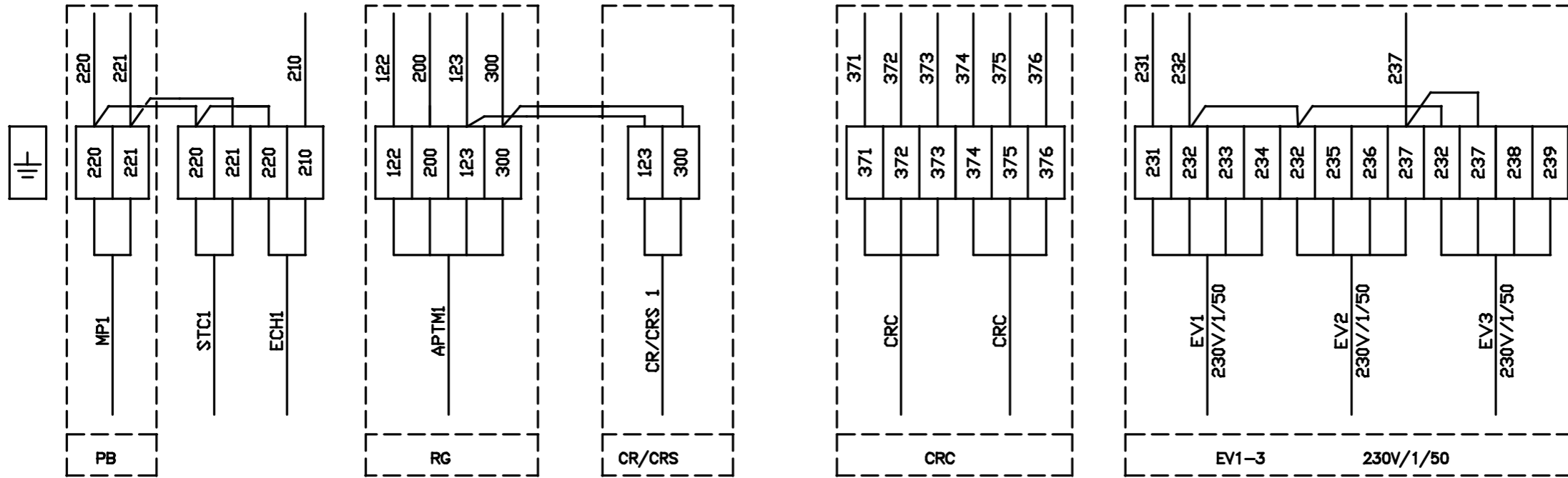
Date	Rev.	Description	Designer	Ver/Appr

UNIT: ED. 1 COMPRESSOR (GRAPHIC DISPLAY)		
DESIGNER	VER/APPR	DATE
L.A.	L.A.	02/02/05
FILE: 05019D-3D		

1 2 3 4 5 6 7 8 9 10 11 12 13 14

POTENZA / POWER / KRAFT / PUISSANCE

PANEL
USER

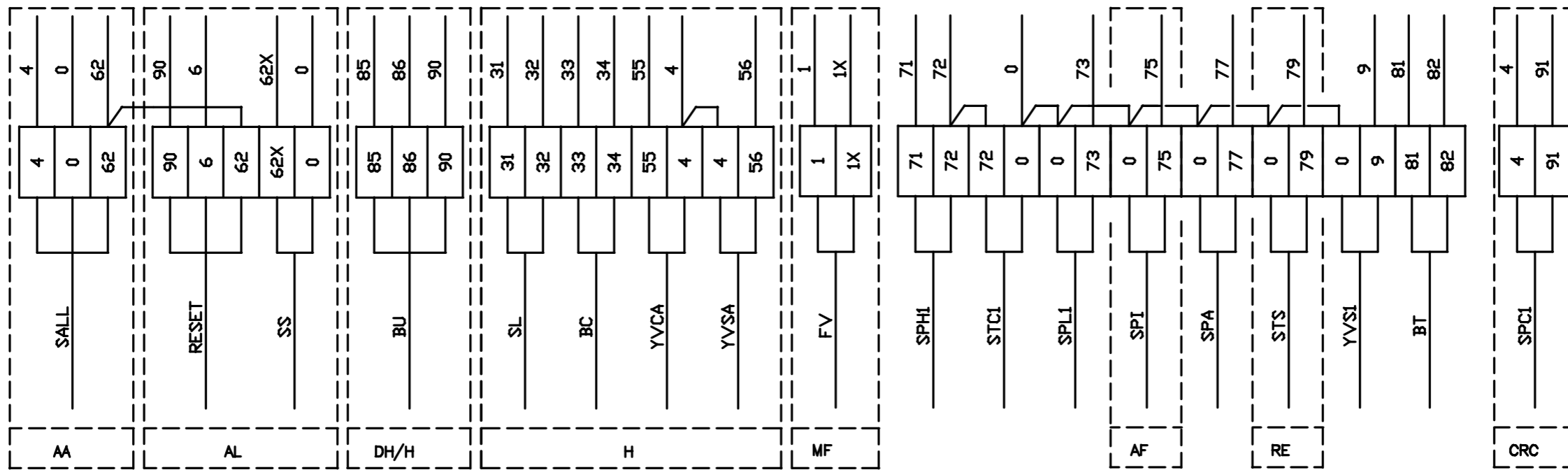


REMOTE CONDENSER
(1 PHASE)

REMOTE CONDENSER
(3 PHASES)

OPTIONAL

COMANDO / COMMAND / STEUERUNG / COMMANDE



1 2 3 4 5 6 7 8 9 10 11 12 13 14

EMICON
HIGH TECHNOLOGY IN AIR CONDITIONING

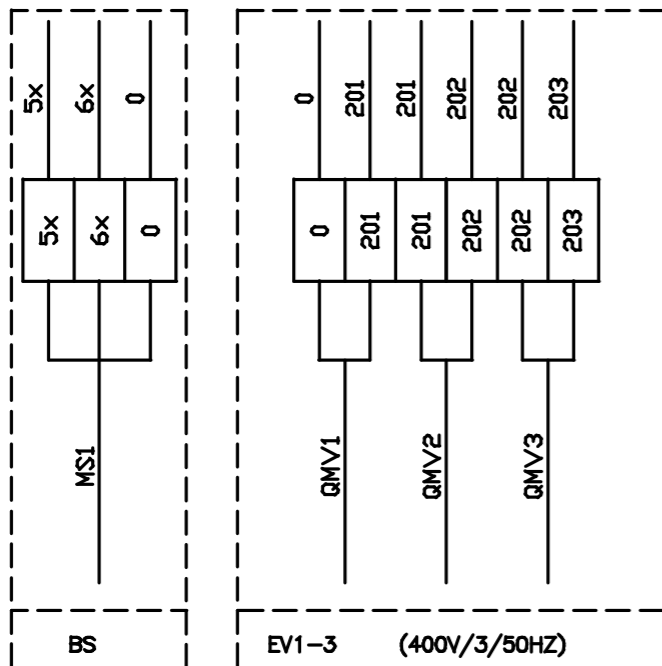
Via A. Drogoni 50
47100 Forlì
ITALY

Date	Rev.	Description	Designer	Ver/Appr

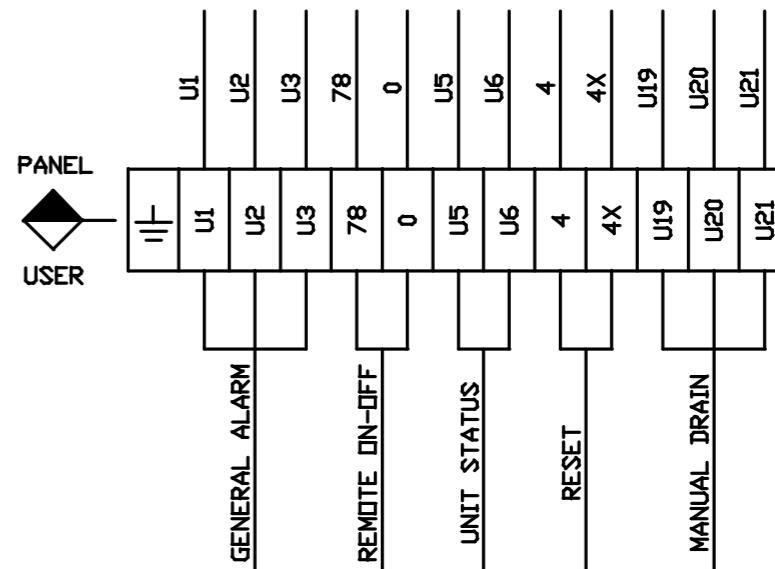
UNIT: ED. 1 COMPRESSOR (GRAPHIC DISPLAY)		
DESIGNER	VER/APPR	DATE
L.A.	L.A.	02/02/05
FILE: 05019D-34		

1	2	3	4	5	6	7	8	9	10	11	12	13	14
---	---	---	---	---	---	---	---	---	----	----	----	----	----

COMANDO / COMMAND / STEUERUNG / COMMANDE



UTENTE / USER / VERBRAUCHER / CLIENT



1	2	3	4	5	6	7	8	9	10	11	12	13	14
---	---	---	---	---	---	---	---	---	----	----	----	----	----



Via A. Drogoni 50
47100 Forlì
ITALY

Date	Rev.	Description	Designer	Ver/Appr

UNIT: ED. 1 COMPRESSOR (GRAPHIC DISPLAY)		
DESIGNER	VER/APPR	DATE
L.A.	L.A.	02/02/05
FILE: 05019D-5		