

INDICE - INDEX - VERZEICHNIS - INDEX

1 | 2 | 3 | 4 | 5 | 6 | 7 | 8 | 9 | 10 | 11 | 12 | 13 | 14

FOGLIO / SHEET BLATT / FEUILLE	DESCRIZIONE / DESCRIPTION BESCHREIBUNG / DESCRIPTION
0	INDICE / INDEX / VERZEICHNIS / INDEX
1A, 2	CIRCUITO AUSILIARIO / AUXILIARY CIRCUIT HELFEND KREISLAUF / CIRCUIT AUXILIAIRE
1A, 1B	POTENZA<VENTILATORI> / POWER<FANS> KRAFT<LUFTER> / PUISSANCE<VENTILATEURS>
1C	POTENZA<UMIDIFICATORE> / POWER<HUMIDIFIER> KRAFT<ANFEUCHTER> / PUISSANCE<HUMIDIFICATEUR>
1D	POTENZA<POMPA CONDENSA> / POWER<CONDENSER WATER PUMP> LEISTUNGSGESATSCHEMA<KONDENSATION PUMPE> / PUISSANCE <POMPE DE CONDENSATION>
3A, 3B	SCHEDA ELETTRONICA / ELECTRONIC CARD ELEKTRONISCHE / CARTE ELECTRONIQUE
3C	SCHEDA ELETTRONICA<UMIDIFICATORE> / ELECTRONIC CARD<HUMIDIFIER> ELEKTRONISCHE<ANFEUCHTER> / CARTE ELECTRONIQUE<HUMIDIFICATEUR>
3D, 3E	DISPLAY LCD / LCD DISPLAY / LCD DISPLAY / DISPLAY LCD
4A	MORSETTIERA / TERMINAL BOARD / KLEMMEN / ELECTRIQUE BORNE
4B	COLLEGAMENTO RETE - NETWORK CONNECTION - VERBINDEN NETZ - LIAISON DE FILET

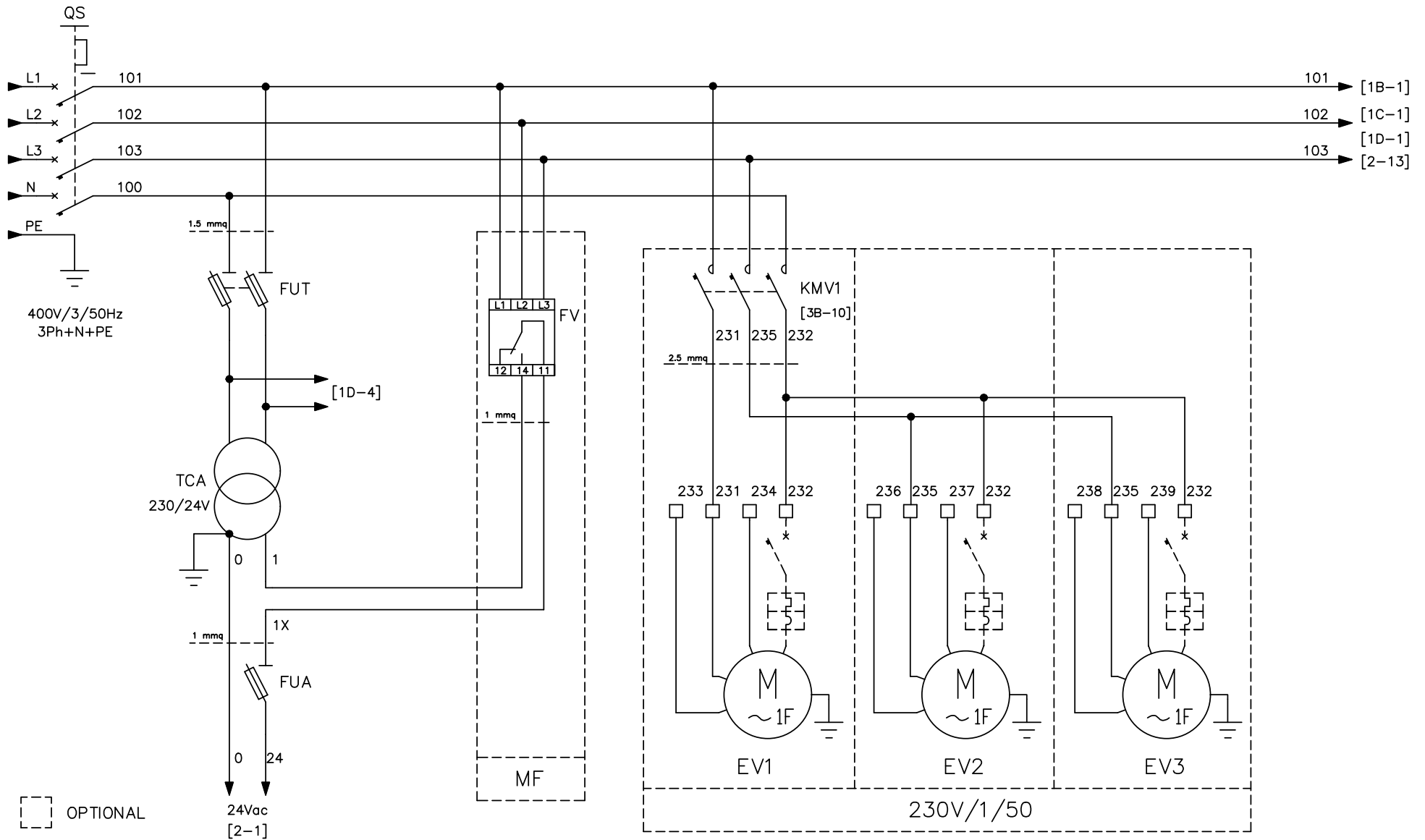
1 | 2 | 3 | 4 | 5 | 6 | 7 | 8 | 9 | 10 | 11 | 12 | 13 | 14



11/10/06	4	INSERT OPTIONAL "SM"					L.A.	L.A.						
23/03/06	3	MODIFY CONNECTION "BC", "SL"					L.A.	L.A.						
22/08/05	2	UPDATE					L.A.	L.A.						
04/10/04	1	Modify connection Pcoumid card					L.A.	L.A.						
Date	Rev.	Description					Designer	Ver/Appr						

UNIT:	HCW ...		
DESIGNER	VER/APPR	DATE	
L.A.	L.A.	18/09/04	
FILE:	04154D-0		

CIRCUITO AUSILIARIO – AUXILIARY CIRCUITS – AUX. SCHALTSHEMA – SCHEMA AUXILIAIRE



OPTIONAL

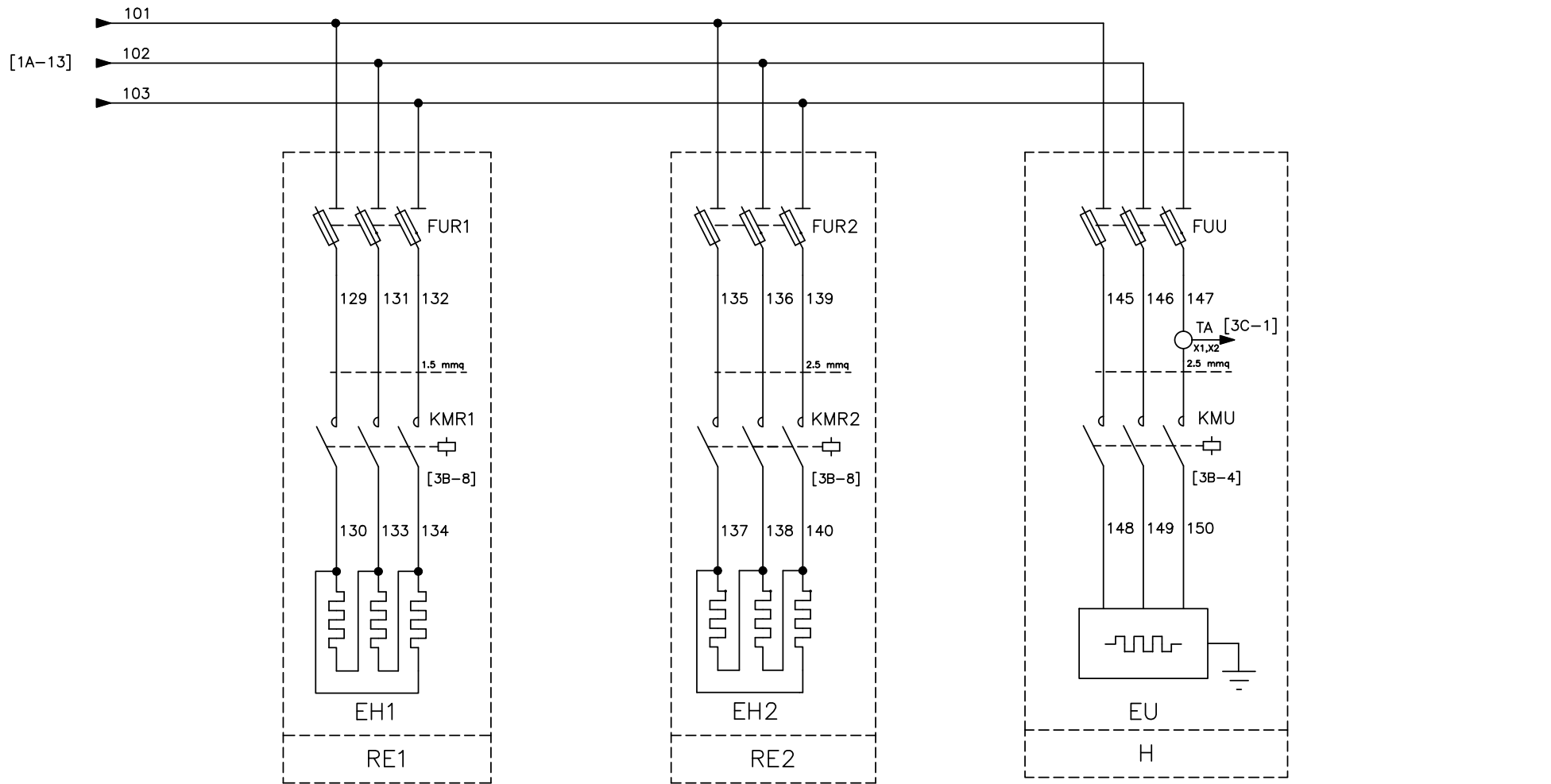


						UNIT:		HCW ...			
						DESIGNER		VER/APPR		DATE	
						L.A.		L.A.		18/09/04	
						FILE:		04154D-1A			
22/08/05	2	UPDATE				L.A.	L.A.				
04/10/04	1	Modify connection Pcoumid card				L.A.	L.A.				
Date	Rev.	Description				Designer	Ver/Appr				



SCHEMA DI POTENZA - POWER DIAGRAM - LEISTUNGSESATZSCHEMA - SCHEMA DE PUISSANCE

1 2 3 4 5 6 7 8 9 10 11 12 13 14



OPTIONAL

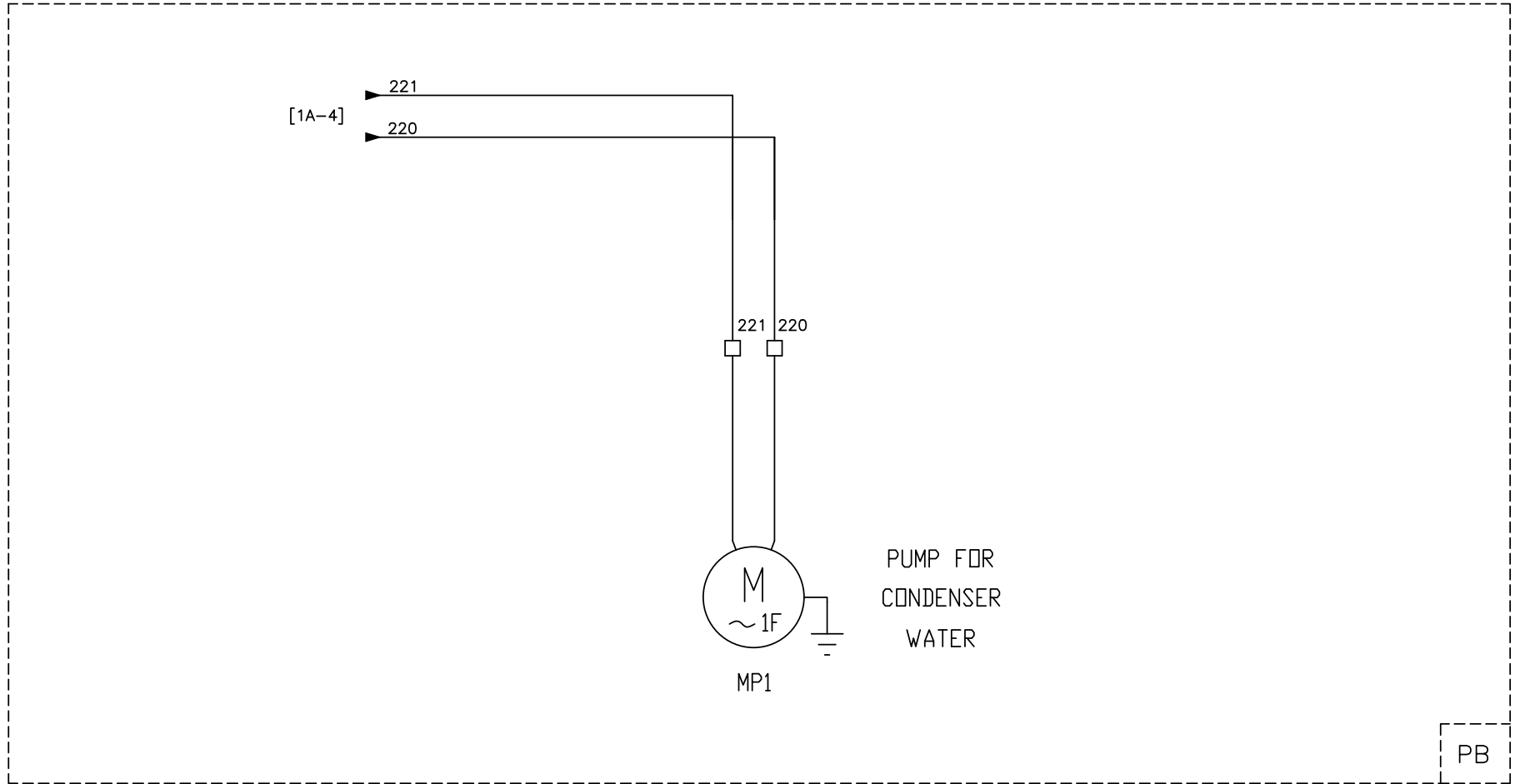
1 2 3 4 5 6 7 8 9 10 11 12 13 14



				UNIT: HCW ...			
		DESIGNER		VER/APPR		DATE	
		L.A.		L.A.		18/09/04	
				FILE: 04154D-1C			
22/08/05	2	UPDATE		L.A.	L.A.		
04/10/04	1	Modify connection Pcoumid card		L.A.	L.A.		
Date	Rev.	Description		Designer	Ver/Appr		

SCHEMA DI POTENZA - POWER DIAGRAM - LEISTUNGSESATSCHEMA - SCHEMA DE PUISSANCE

1 2 3 4 5 6 7 8 9 10 11 12 13 14



1 2 3 4 5 6 7 8 9 10 11 12 13 14

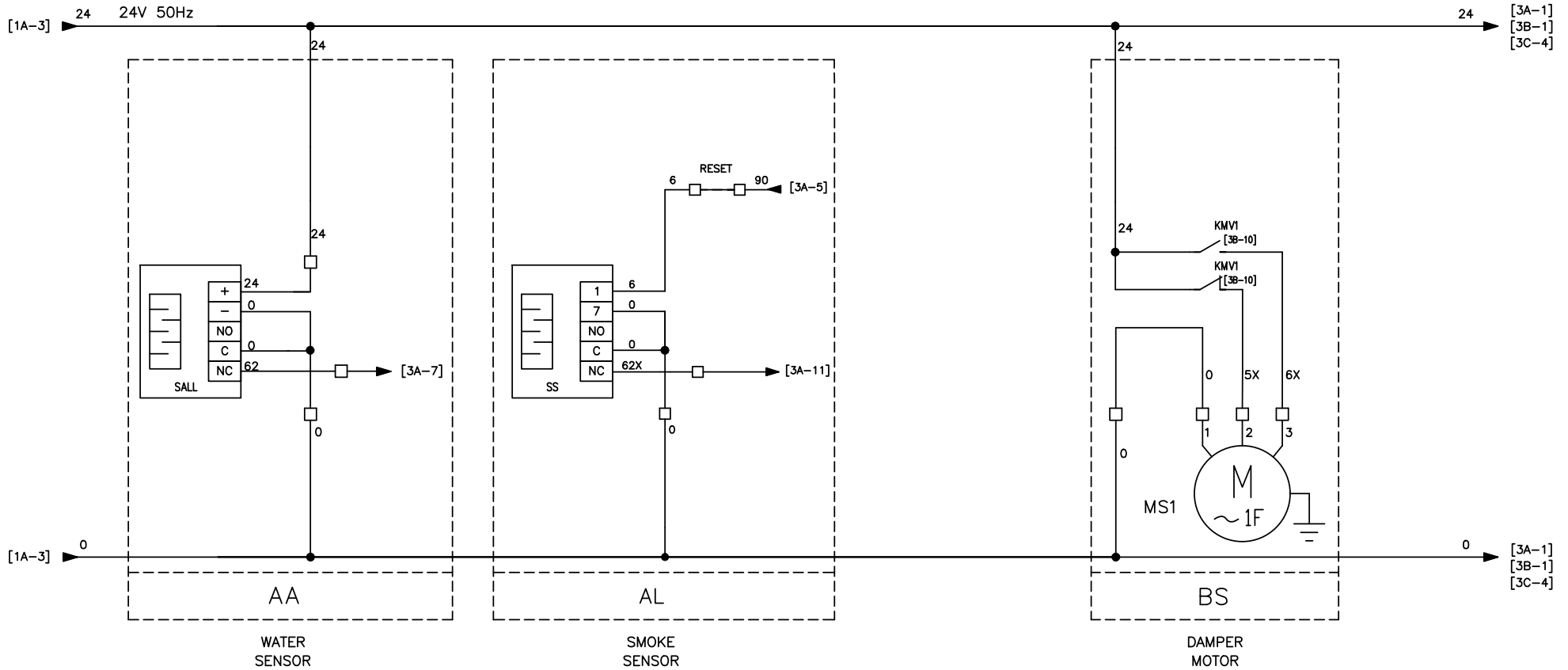


22/08/05	2	UPDATE					L.A.	L.A.						
04/10/04	1	Modify connection Pcoumid card					L.A.	L.A.						
Date	Rev.	Description					Designer	Ver/Appr						

UNIT: HCW ...		
DESIGNER	VER/APPR	DATE
L.A.	L.A.	18/09/04
FILE:		04154D-1D

CIRCUITO AUSILIARIO – AUXILIARY CIRCUITS – AUX. SCHALTSCHHEMA – SCHEMA AUXILIAIRE

1 2 3 4 5 6 7 8 9 10 11 12 13 14



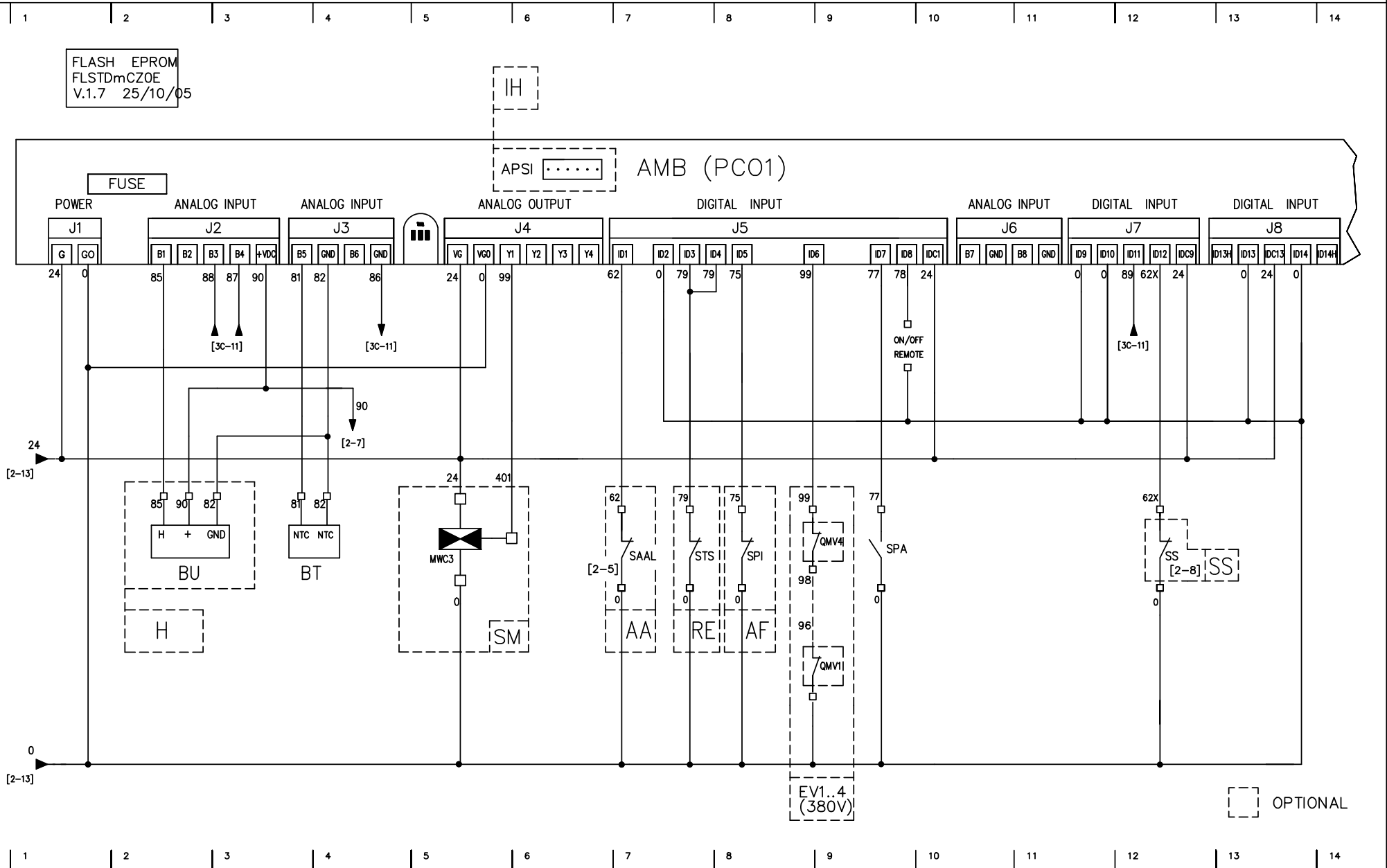
OPTIONAL

1 2 3 4 5 6 7 8 9 10 11 12 13 14



				UNIT: HCW ...			
DESIGNER		VER/APPR		DATE			
L.A.		L.A.		18/09/04			
Date				Rev.		Description	
				Designer		Ver/Apr	
				FILE: 04154D-2			

SCHEDA ELETTRONICA - ELECTRONIC CARD - ELEKTRONISCHE STEUERUNGSKARTE - CARTE ELECTRONIQUE

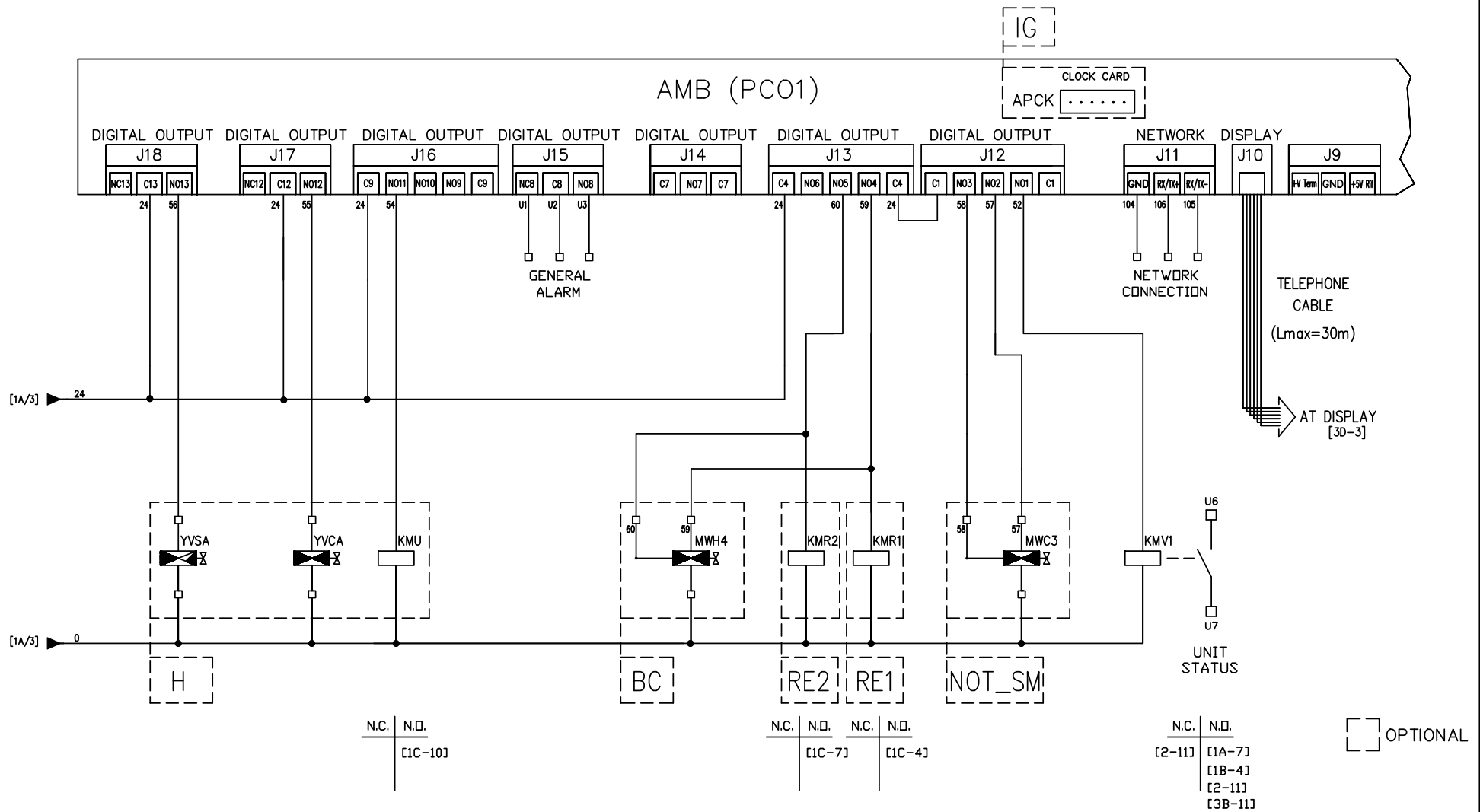


Date	Rev.	Description	Designer	Ver/Appr
11/10/06	4	INSERT OPTIONAL "SM"	L.A.	L.A.
23/03/06	3	MODIFY CONNECTION "BC", "SL"	L.A.	L.A.
22/08/05	2	UPDATE	L.A.	L.A.
04/10/04	1	Modify connection Pcoumid card	L.A.	L.A.

UNIT: HCW ...		
DESIGNER	VER/APPR	DATE
L.A.	L.A.	18/09/04
FILE: 04154D-3A		

SCHEDA ELETTRONICA - ELECTRONIC CARD - ELEKTRONISCHE STEUERUNGSKARTE - CARTE ELECTRONIQUE

1 2 3 4 5 6 7 8 9 10 11 12 13 14



1 2 3 4 5 6 7 8 9 10 11 12 13 14

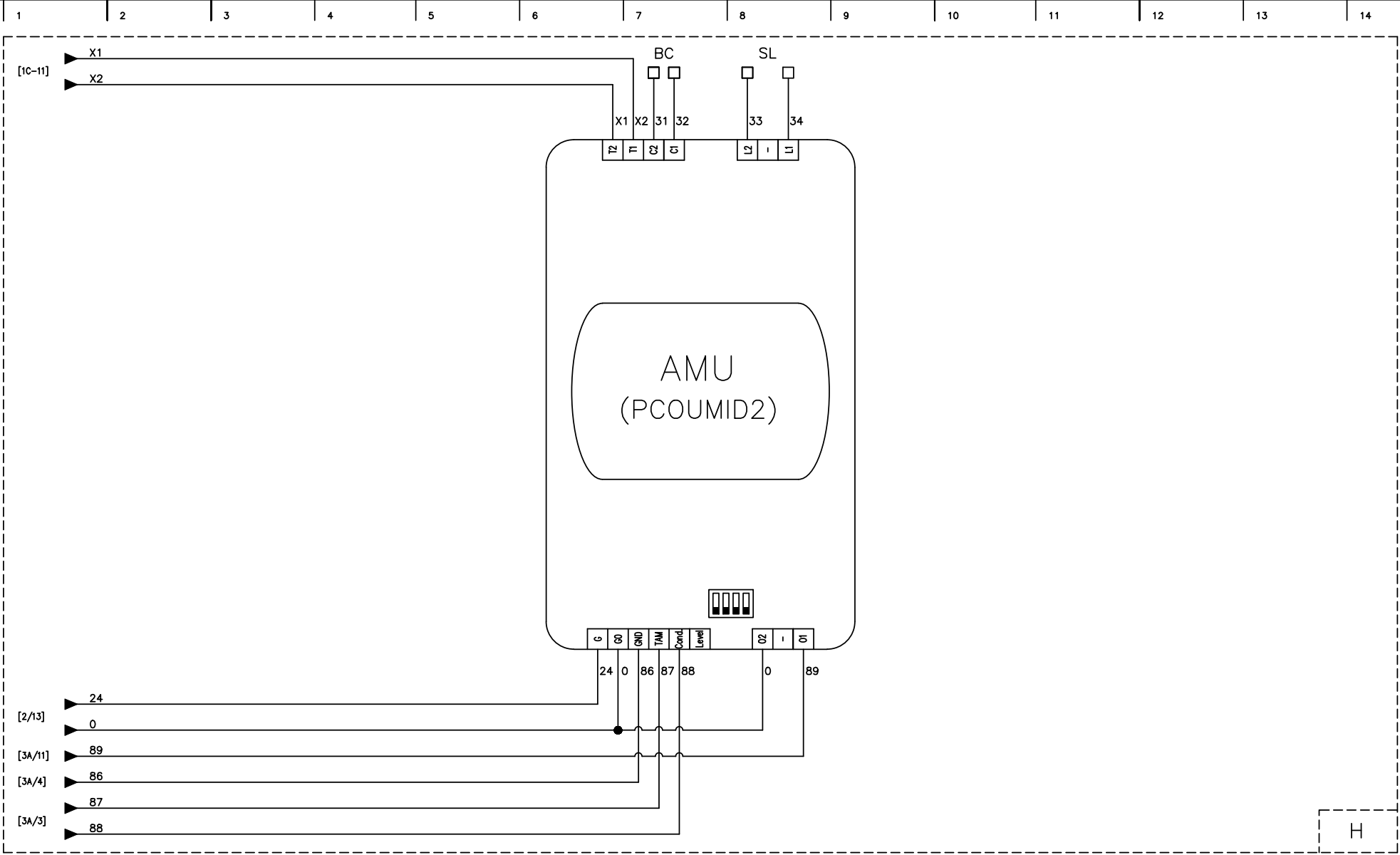


													UNIT:		
													HCW ...		
11/10/06	4	INSERT OPTIONAL "SM"						L.A.	L.A.				DESIGNER	VER/APPR	DATE
23/03/06	3	MODIFY CONNECTION "BC", "SL"						L.A.	L.A.				L.A.	L.A.	18/09/04
22/08/05	2	UPDATE						L.A.	L.A.						
04/10/04	1	Modify connection Pcoumid card						L.A.	L.A.						
Date	Rev.	Description						Designer	Ver/Appr						

UNIT:		
HCW ...		
DESIGNER	VER/APPR	DATE
L.A.	L.A.	18/09/04
FILE:		
04154D-3B		



SCHEDA ELETTRONICA - ELECTRONIC CARD - ELEKTRONISCHE STEUERUNGSKARTE - CARTE ELECTRONIQUE

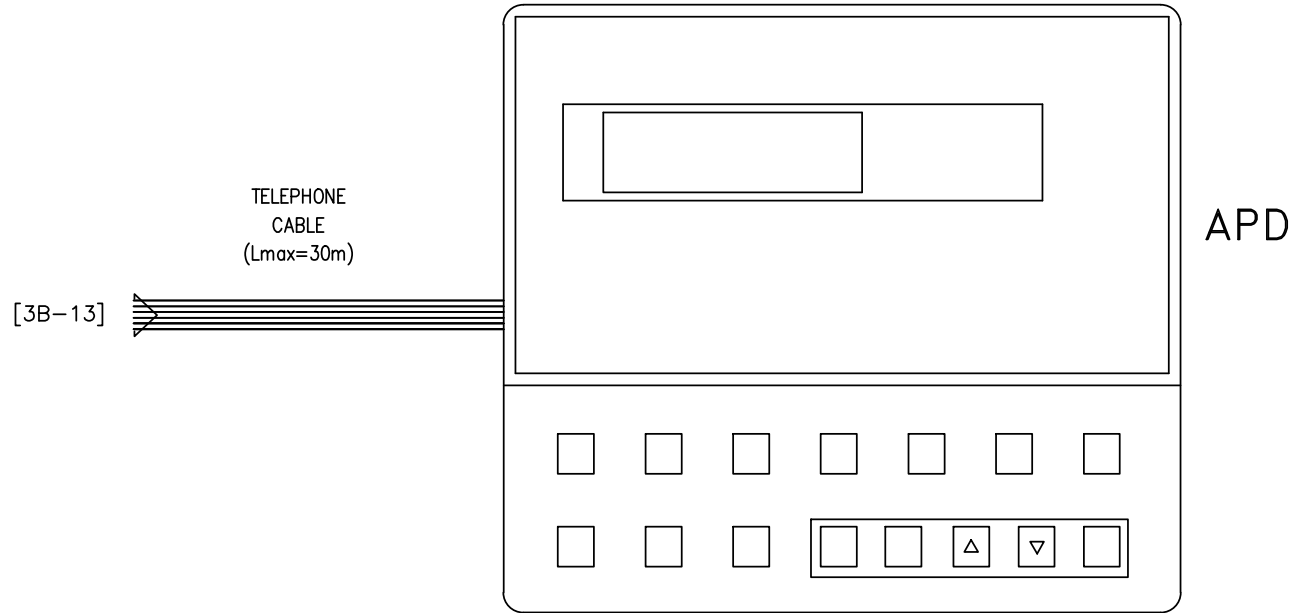


Date	Rev.	Description	Designer	Ver/Appr
23/03/06	3	MODIFY CONNECTION BC, SL	L.A.	L.A.
22/08/05	2	UPDATE	L.A.	L.A.
04/10/04	1	Modify connection Pcoumid card	L.A.	L.A.

UNIT: HCW ...		
DESIGNER	VER/APPR	DATE
L.A.	L.A.	18/09/04
FILE: 04154D-3C		

DISPLAY LCD – LCD DISPLAY – LCD DISPLAY – DISPLAY LCD

1 2 3 4 5 6 7 8 9 10 11 12 13 14



1 2 3 4 5 6 7 8 9 10 11 12 13 14

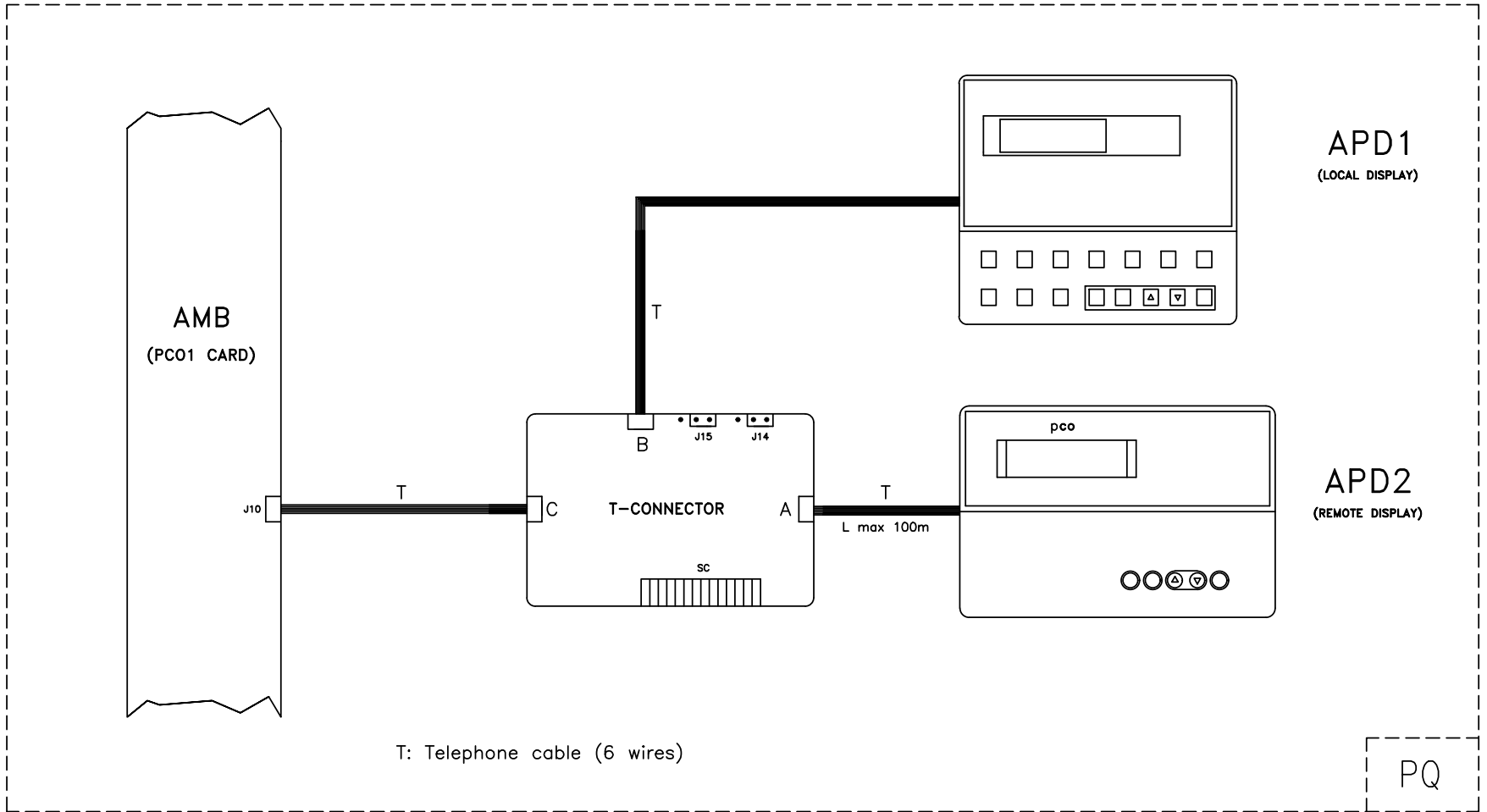


Date	Rev.	Description	Designer	Ver/Appr

UNIT: HCW ...		
DESIGNER	VER/APPR	DATE
L.A.	L.A.	18/09/04
FILE:		04154D-3D

TERMINALE LCD – LCD TERMINAL – LCD TERMINAL – TERMINAL LCD

1 2 3 4 5 6 7 8 9 10 11 12 13 14



1 2 3 4 5 6 7 8 9 10 11 12 13 14



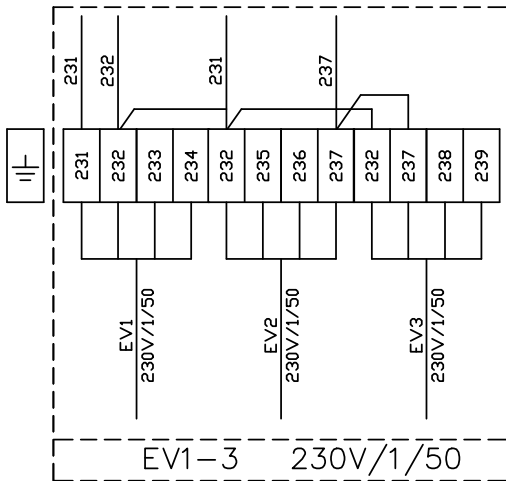
Date	Rev.	Description	Designer	Ver/Appr

UNIT: HCW ...		
DESIGNER	VER/APPR	DATE
L.A.	L.A.	18/09/04
FILE:		04154D-3E

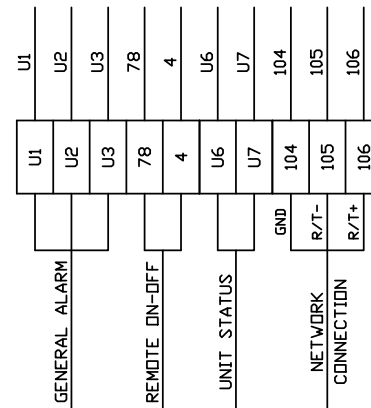
MORSETTIERA – ELECTRICAL TERMINAL BOARD – KLEMMEN – SERRE CABLES

1 2 3 4 5 6 7 8 9 10 11 12 13 14

POTENZA / POWER / KRAFT / PUISSANCE

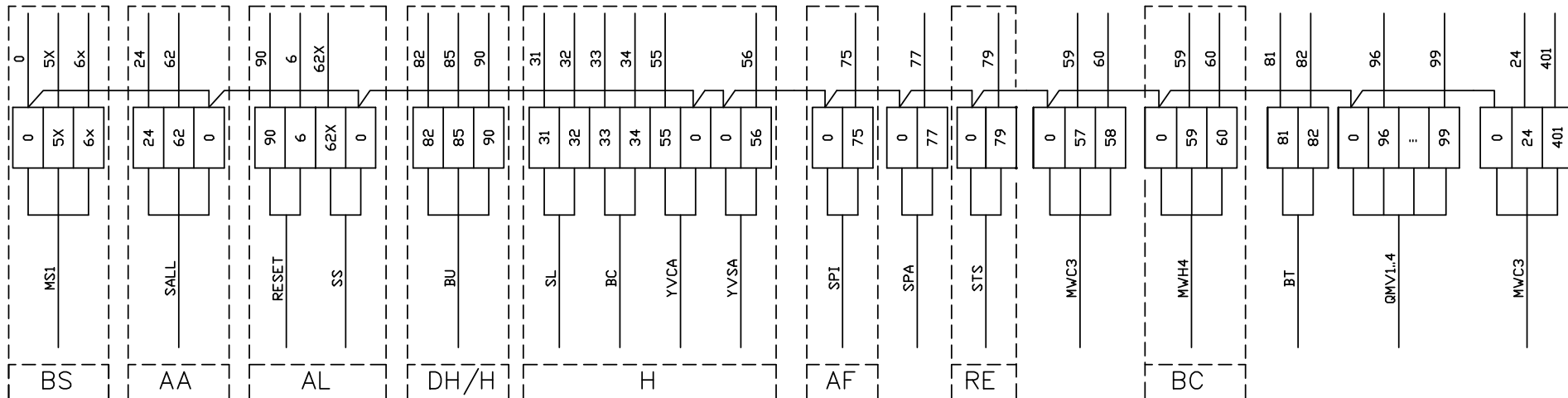


UTENTE / USER / VERBRAUCHER / CLIENT



COMANDO / COMMAND / STEUERUNG / COMMANDE

OPTIONAL

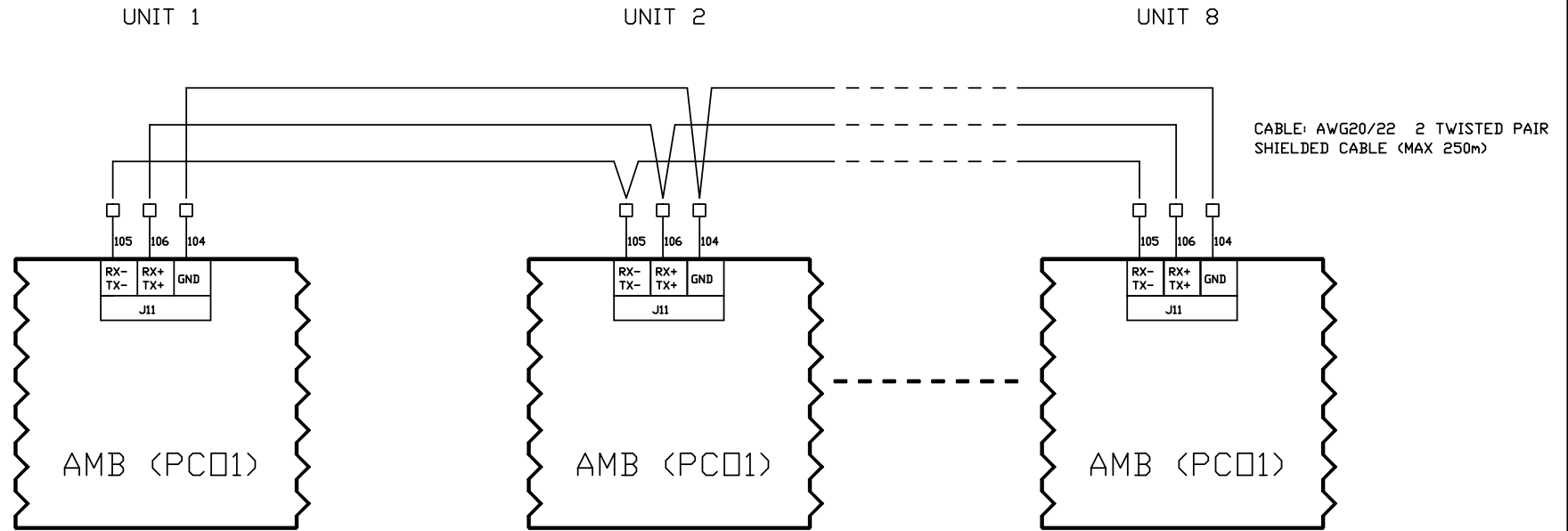


1 2 3 4 5 6 7 8 9 10 11 12 13 14



			UNIT: HCW ...	
DESIGNER		VER/APPR	DATE	
L.A.		L.A.	18/09/04	
FILE:			04154D-4A	
Date	Rev.	Description	Designer	Ver/Appr

COLLEGAMENTO RETE – NETWORK CONNECTION – VERBINDEN NETZ – LIAISON DE FILET



1	2	3	4	5	6	7	8	9	10	11	12	13	14
---	---	---	---	---	---	---	---	---	----	----	----	----	----



Date	Rev.	Description	Designer	Ver/Appr

UNIT:		
HCW ...		
DESIGNER	VER/APPR	DATE
L.A.	L.A.	18/09/04
FILE:		
04154D-4B		