

INDICE - INDEX - VERZEICHNIS - INDEX

1 2 3 4 5 6 7 8 9 10 11 12 13 14 15

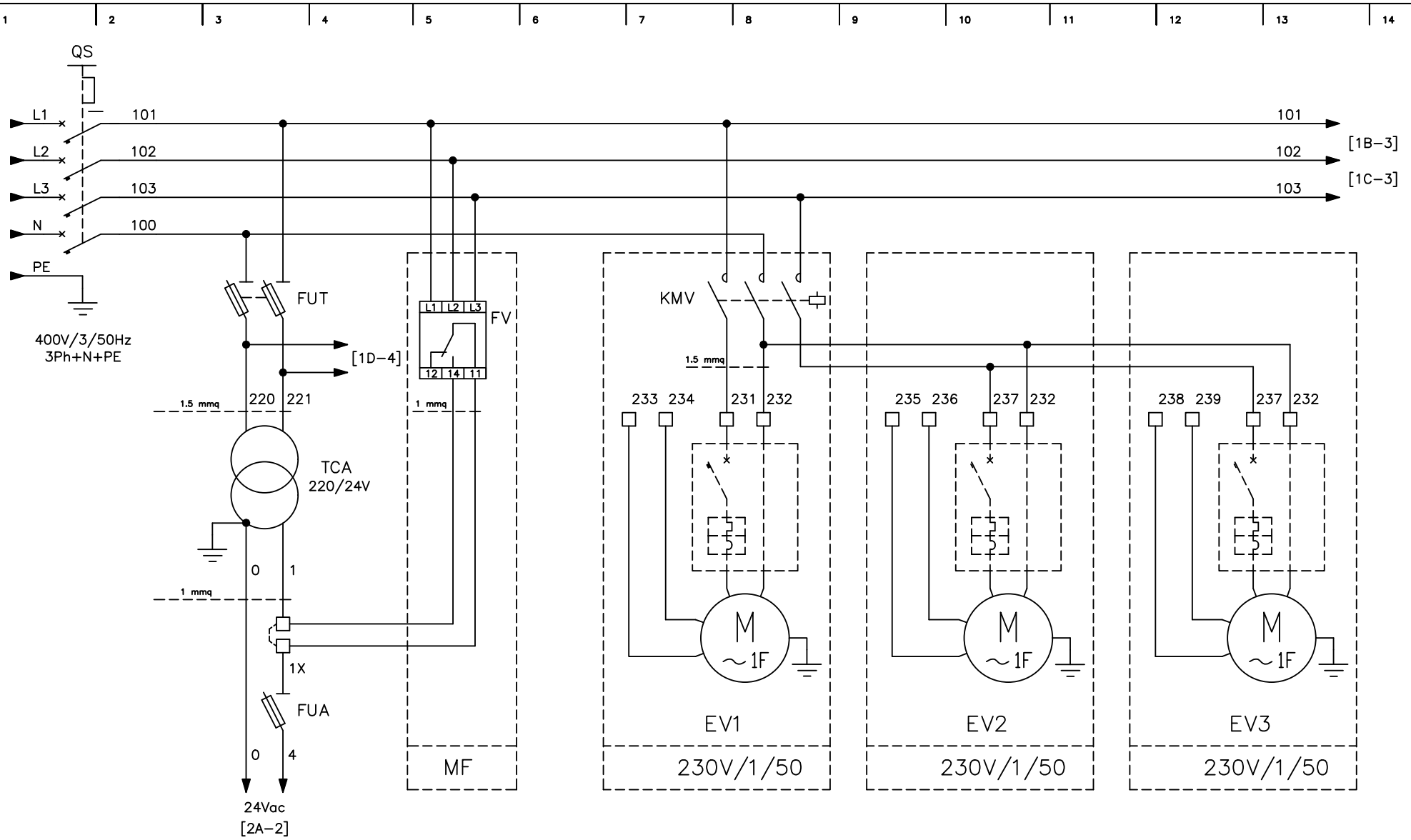
FOGLIO / SHEET BLATT / FEUILLE	DESCRIZIONE / DESCRIPTION BESCHREIBUNG / DESCRIPTION
0	INDICE / INDEX / VERZEICHNIS / INDEX
1A, 1D	POTENZA / POWER KRAFT / PUISSANCE
1B	POTENZA<VENTILATORI> / POWER<FANS> KRAFT<LUFTER> / PUISSANCE<VENTILATEURS>
1C	POTENZA<UMIDIFICATORE> / POWER<HUMIDIFIER> KRAFT<ANFEUCHTER> / PUISSANCE<HUMIDIFICATEUR>
2	CIRCUITO AUSILIARIO / AUXILIARY CIRCUIT HELFEND KREISLAUF / CIRCUIT AUXILIAIRE
3A	SCHEDA ELETTRONICA / ELECTRONIC CARD ELEKTRONISCHE / CARTE ELECTRONIQUE
3B	SCHEDA ELETTRONICA<UMIDIFICATORE> / ELECTRONIC CARD <HUMIDIFIER> ELEKTRONISCHE<ANFEUCHTER> / CARTE ELECTRONIQUE <HUMIDIFICATEUR>
4	MORSETTIERA / TERMINAL BOARD / KLEMMEN / ELECTRIQUE BORNE

1 2 3 4 5 6 7 8 9 10 11 12 13 14 15



				UNIT:			HCW.../.../..		
				DESIGNER		VER/APPR		DATE	
				M.M.		L.A.		20/02/04	
24/11/04	2	MODIFY 400V FANS		M.M.	M.M.	FILE:			
01/04/04	1	UPDATE		M.M.	M.M.	04020D-0			
Date	Rev.	Description		Designer	Ver/Appr				

SCHEMA DI POTENZA - POWER DIAGRAM - LEISTUNGSESATSCHEMA - SCHEMA DE PUISSANCE

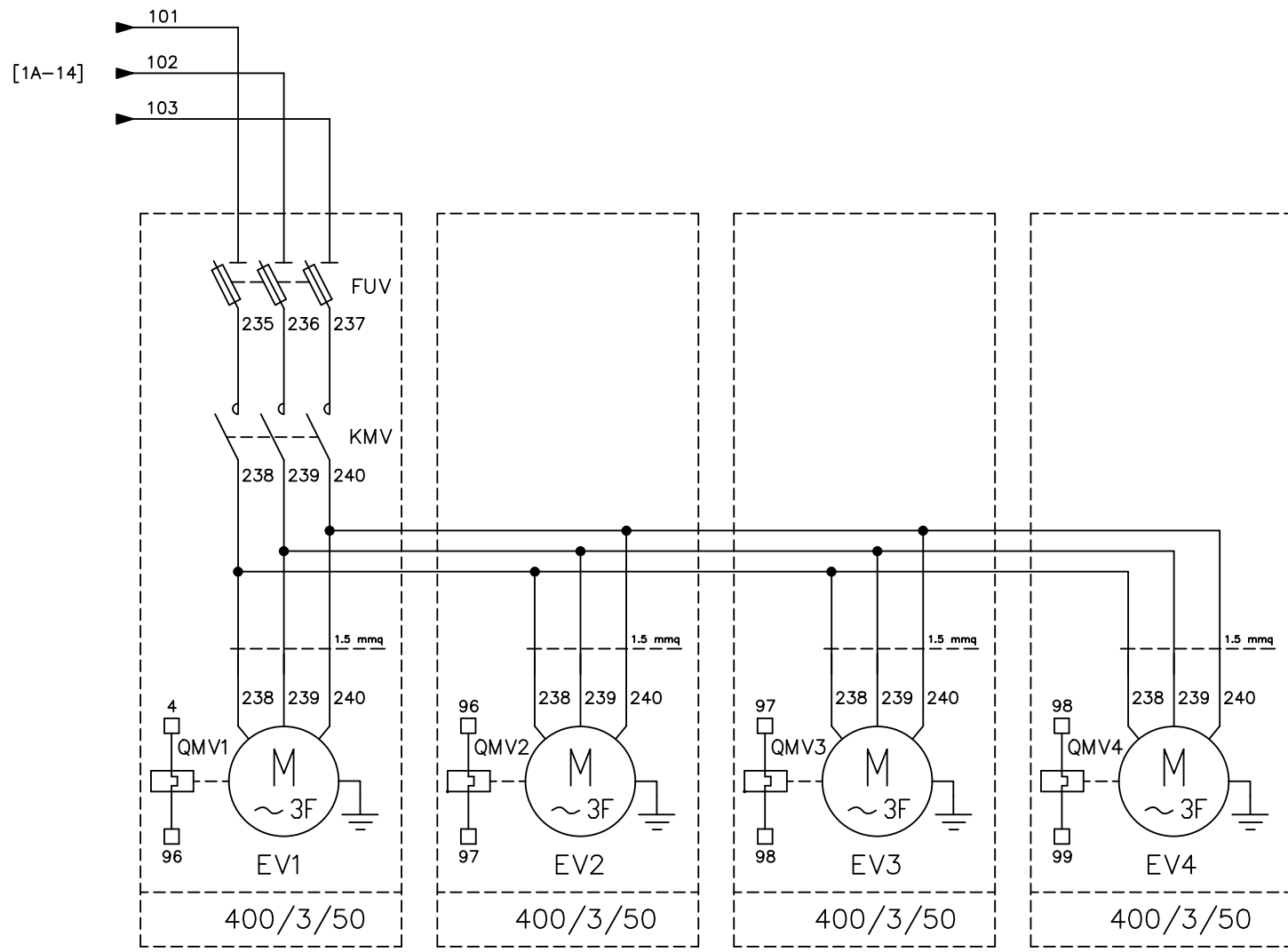


OPTIONAL

										UNIT: HCW../.../..							
										DESIGNER: M.M.		VER/APPR: L.A.		DATA: 20/02/04			
Data										Rev.		Description		Designer		Ver/Appr	
																FILE: 04020D-1A	

SCHEMA DI POTENZA – POWER DIAGRAM – LEISTUNGSGESATSCHEMA – SCHEMA DE PUISSANCE

1 | 2 | 3 | 4 | 5 | 6 | 7 | 8 | 9 | 10 | 11 | 12 | 13 | 14



OPTIONAL

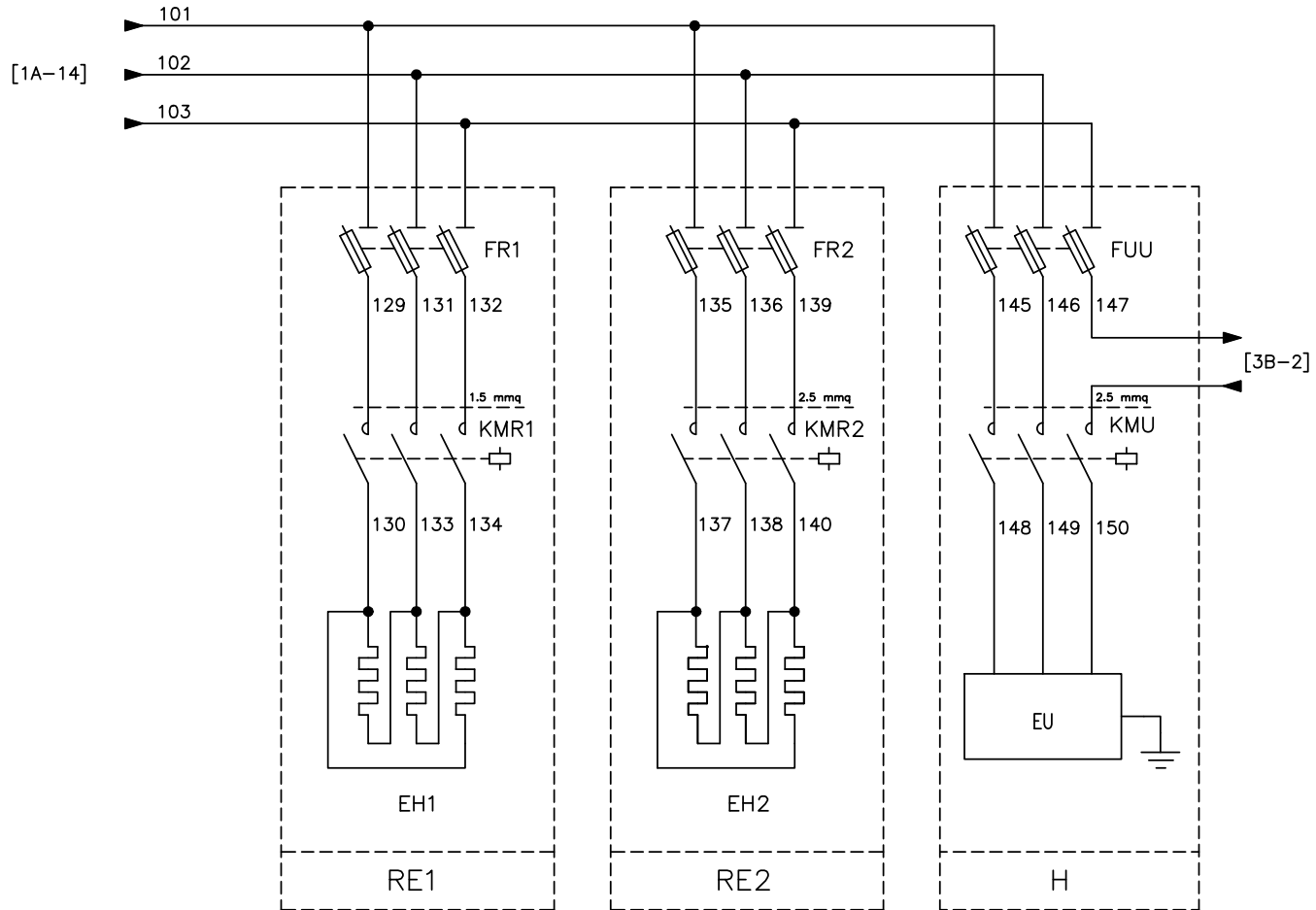
1 | 2 | 3 | 4 | 5 | 6 | 7 | 8 | 9 | 10 | 11 | 12 | 13 | 14



Date	Rev.	Description	Designer	Ver/Appr

UNIT: HCW.../.../..		
DESIGNER	VER/APPR	DATA
M.M.	L.A.	20/02/04
FILE: 04020D-1B		

SCHEMA DI POTENZA - POWER DIAGRAM - LEISTUNGSGESATSCHEMA - SCHEMA DE PUISSANCE

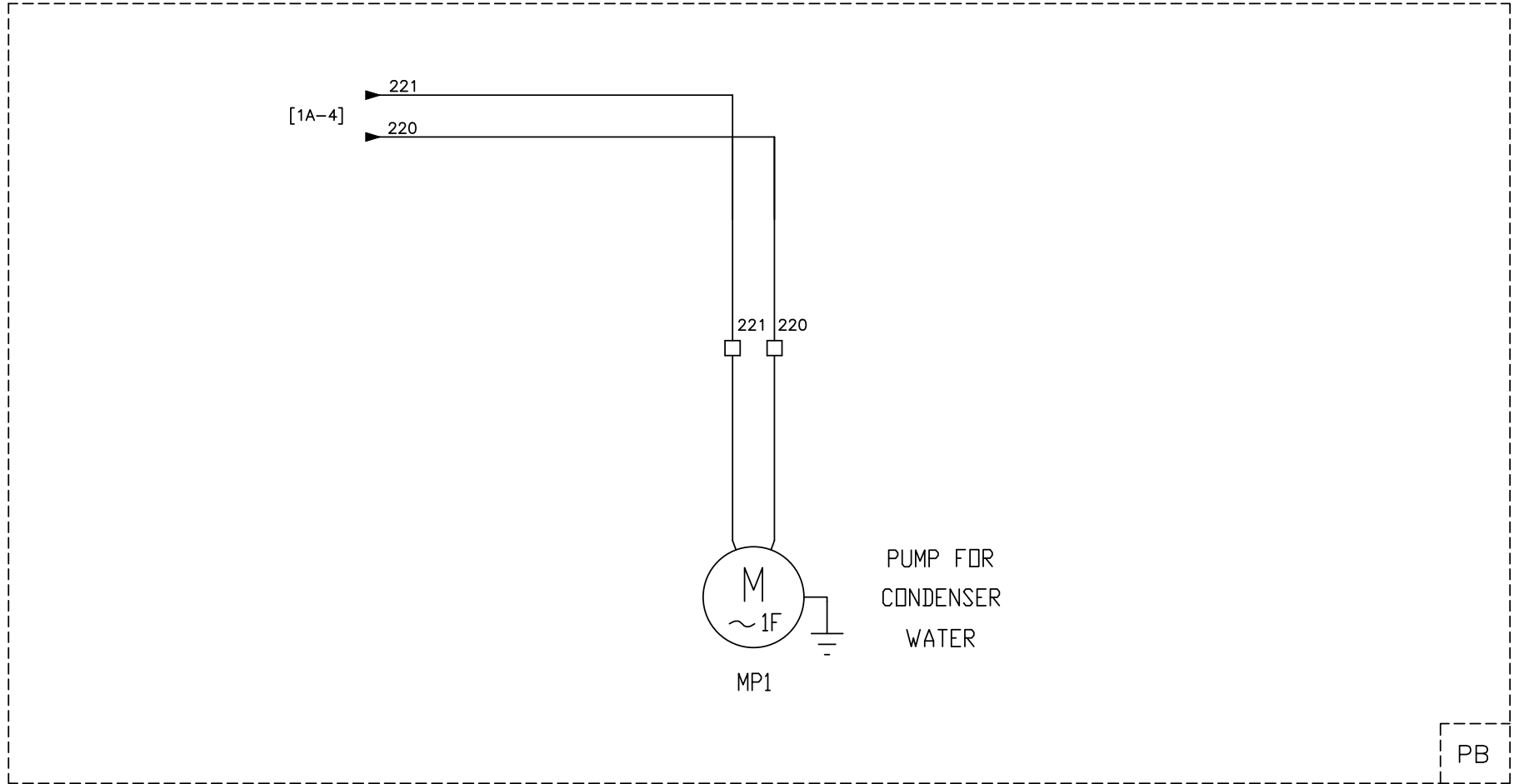


   OPTIONAL

1	2	3	4	5	6	7	8	9	10	11	12	13	14			
											UNIT:		HCW../.../..			
											DESIGNER		VER/APPR		DATA	
											M.M.		L.A.		20/02/04	
											FILE:					
Data		Rev.		Description				Designer		Ver/Apr						

SCHEMA DI POTENZA – POWER DIAGRAM – LEISTUNGSESATSCHEMA – SCHEMA DE PUISSANCE

1 2 3 4 5 6 7 8 9 10 11 12 13 14



1 2 3 4 5 6 7 8 9 10 11 12 13 14

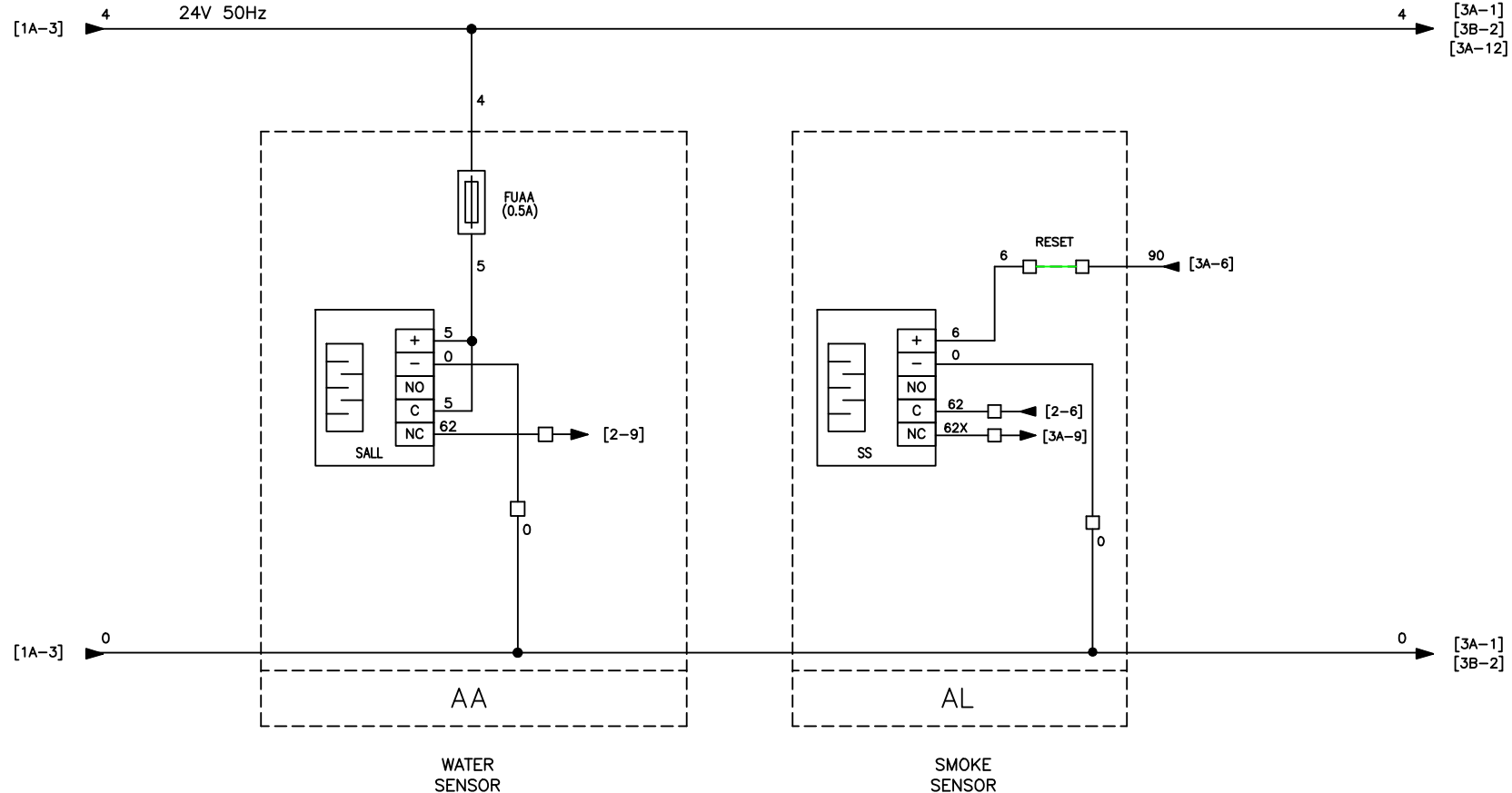


Date	Rev.	Description	Designer	Ver/Apr

UNIT: HCW../.../..		
DESIGNER	VER/APPR	DATA
M.M.	L.A.	20/02/04
FILE: 04020D-1D		

CIRCUITO AUSILIARIO – AUXILIARY CIRCUITS – AUX. SCHALTSCHHEMA – SCHEMA AUXILIAIRE

1 2 3 4 5 6 7 8 9 10 11 12 13 14



OPTIONAL

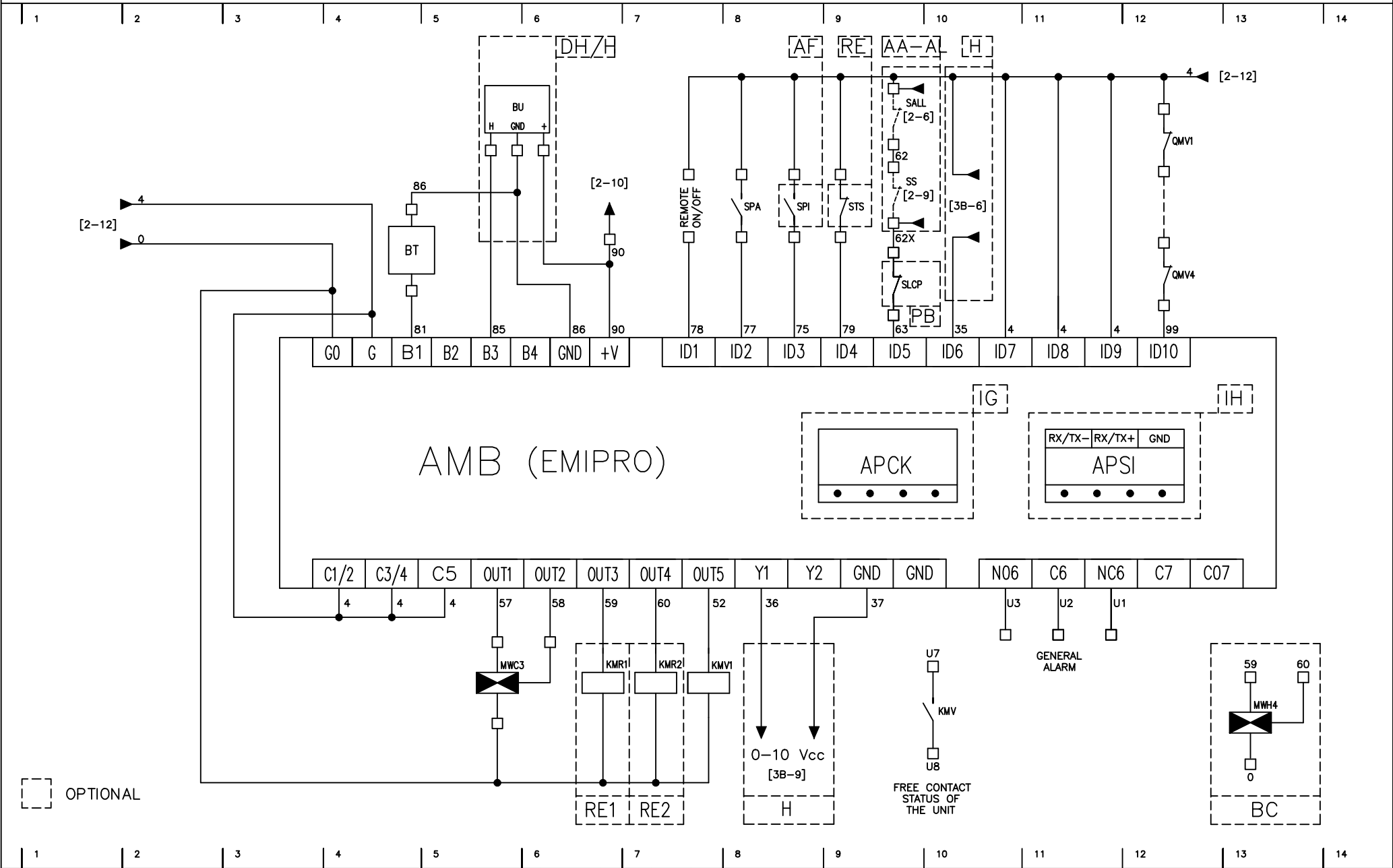
1 2 3 4 5 6 7 8 9 10 11 12 13 14



Data	Rev.	Description	Designer	Ver/Appr

UNIT: HCW../.../..		
DESIGNER	VER/APPR	DATA
M.M.	L.A.	20/02/04
FILE: 04020D-2		

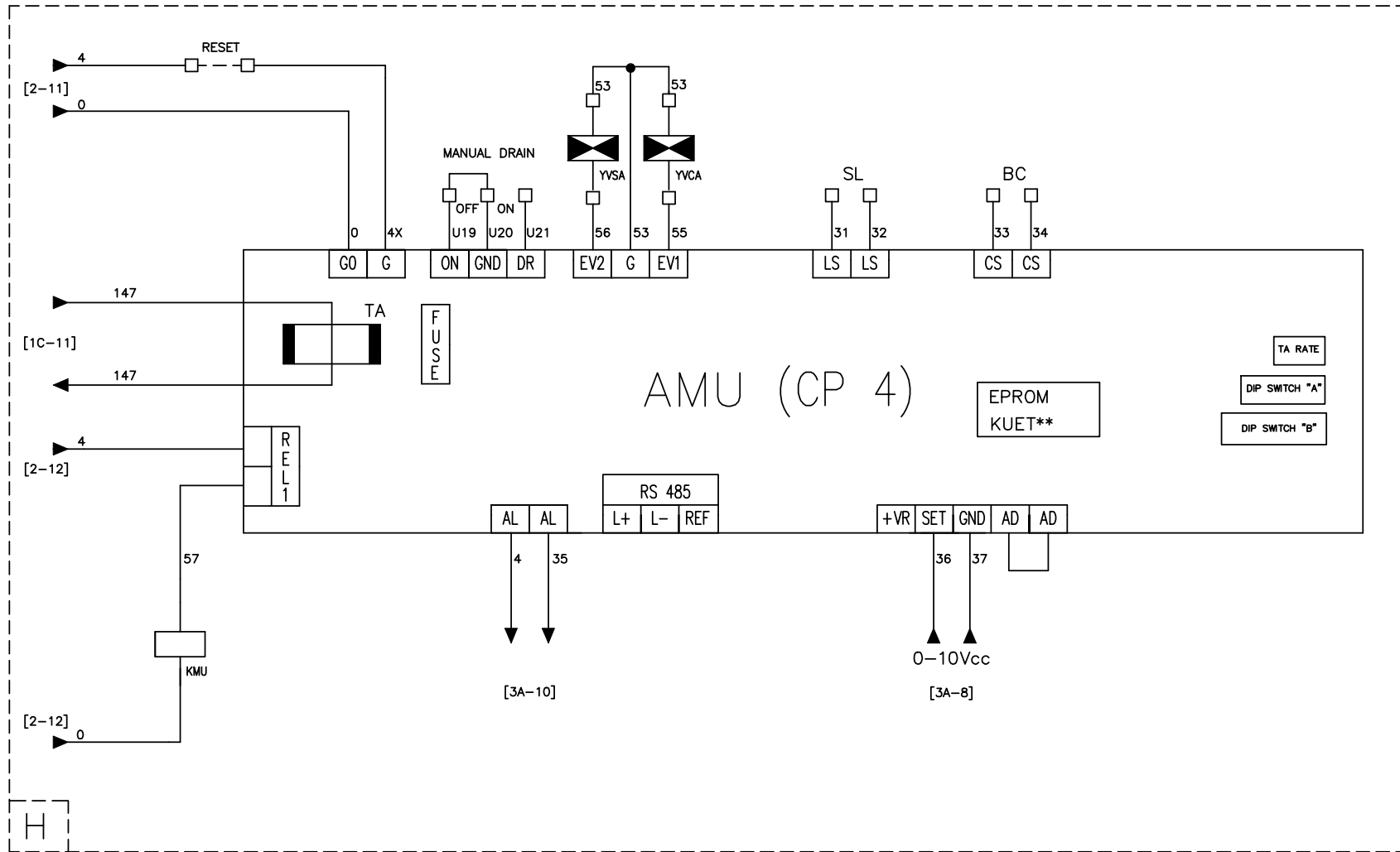
SCHEDA ELETTRONICA - ELECTRONIC CARD - ELEKTRONISCHE STEUERKARTE - CARTE ELECTRONIQUE



													UNIT:	HCW../.../..	
													DESIGNER	VER/APPR	DATA
													M.M.	L.A.	20/02/04
													FILE:	04020D-3A	
Data	Rev.	Description										Designer	Ver/Appr		

SCHEDA ELETTRONICA - ELECTRONIC CARD - ELEKTRONISCHE STEUERUNGSKARTE - CARTE ELECTRONIQUE

1 2 3 4 5 6 7 8 9 10 11 12 13 14



[H]

[ ] OPTIONAL

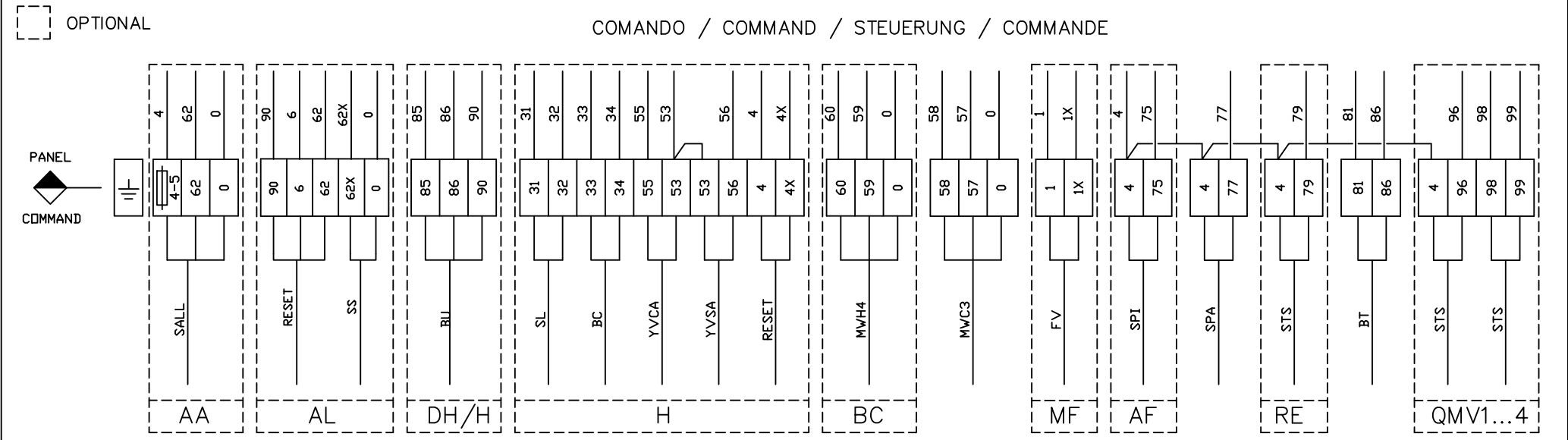
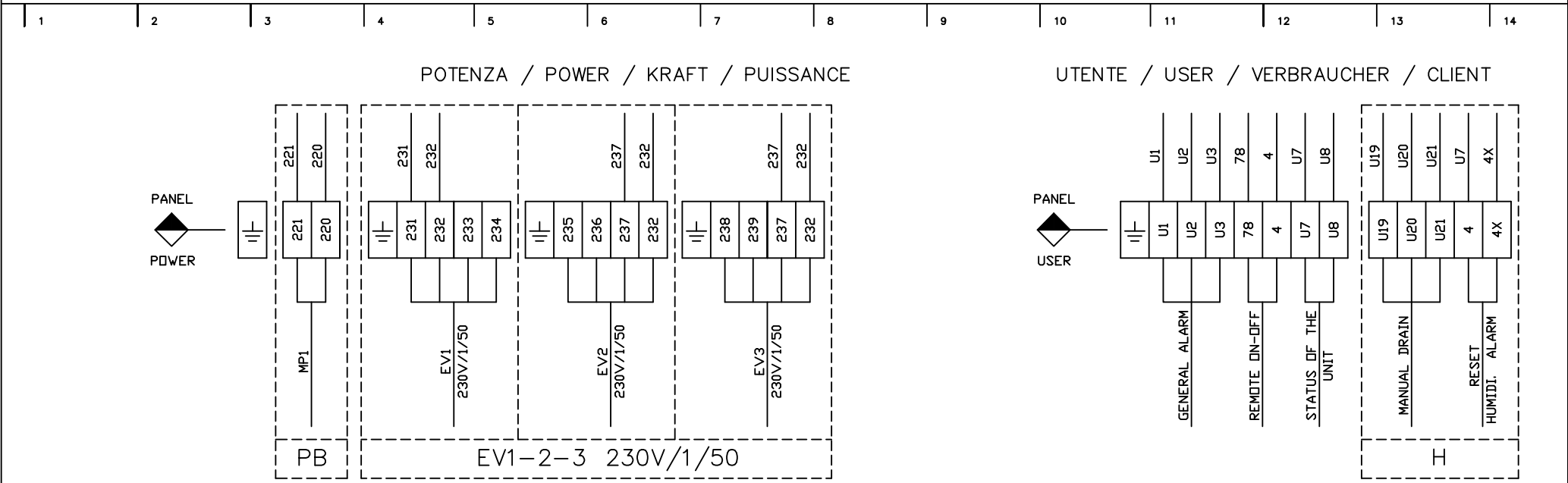
1 2 3 4 5 6 7 8 9 10 11 12 13 14



				UNIT: HCW../.../..			
DESIGNER		VER/APPR		DATA			
M.M.		L.A.		20/02/04			
FILE:				04020D-3B			
Data	Rev.	Description		Designer	Ver/Appr		



MORSETTIERA – ELECTRICAL TERMINAL BOARD – KLEMMEN – SERRE CABLES



1		2		3		4		5		6		7		8		9		10		11		12		13		14																									
																										UNIT:		HCW./.../..																							
																										DESIGNER								VER/APPR								DATE									
																										M.M.								L.A.								20/02/04									
																										FILE: 04020D-4																									
01/04/04		1		UPDATE		M.M.		M.M.		Date		Rev.		Description		Designer		Ver/Appr																																	