

In the ecolean units ,we supply the following antivibration mounts as option

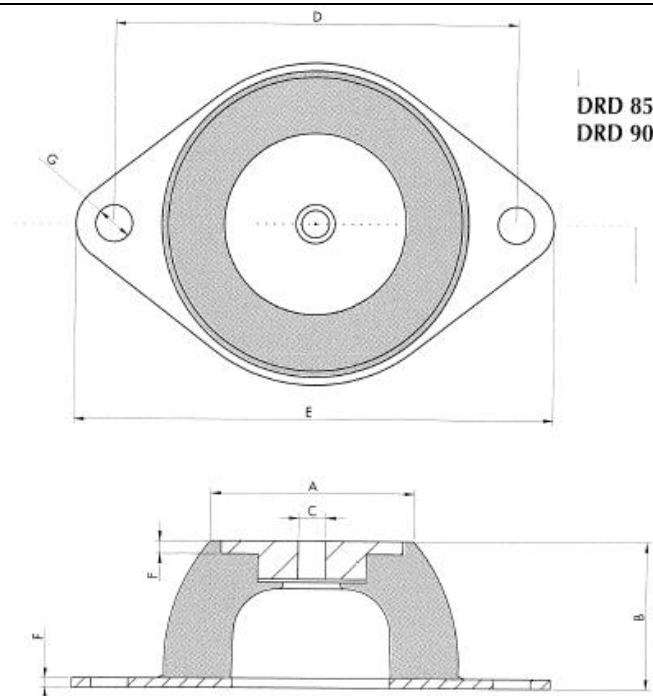
In models EAC/EAR from 009 to 043 we supply 4 avm`s code 43202350 DRD 85-60 (60 SHORE)



In models EAC/EAR from 0472 to 0812 we supply 6 avm`s code 43202351 DRD 85-75 (75 SHORE)

In models EAC/EAR from 1003 to 1303 we supply 9 avm`s code 43202353 DRD 90-75 (75 SHORE)

DIMENSIONS



CODE	DESC	A	B	C	D	E	F
43202350-1	DRD 85-60 DRD 85-75	48	38	M-10	110	136	2
43202353	DRD 90-75	47	45	M-10	124	151	3

CALCULATION OF AVM'S DEFLECTION

DRD 85-60 : 120 kg
DRD 85-75 : 185 Kg
DRD 90-75 : 275 Kg

