

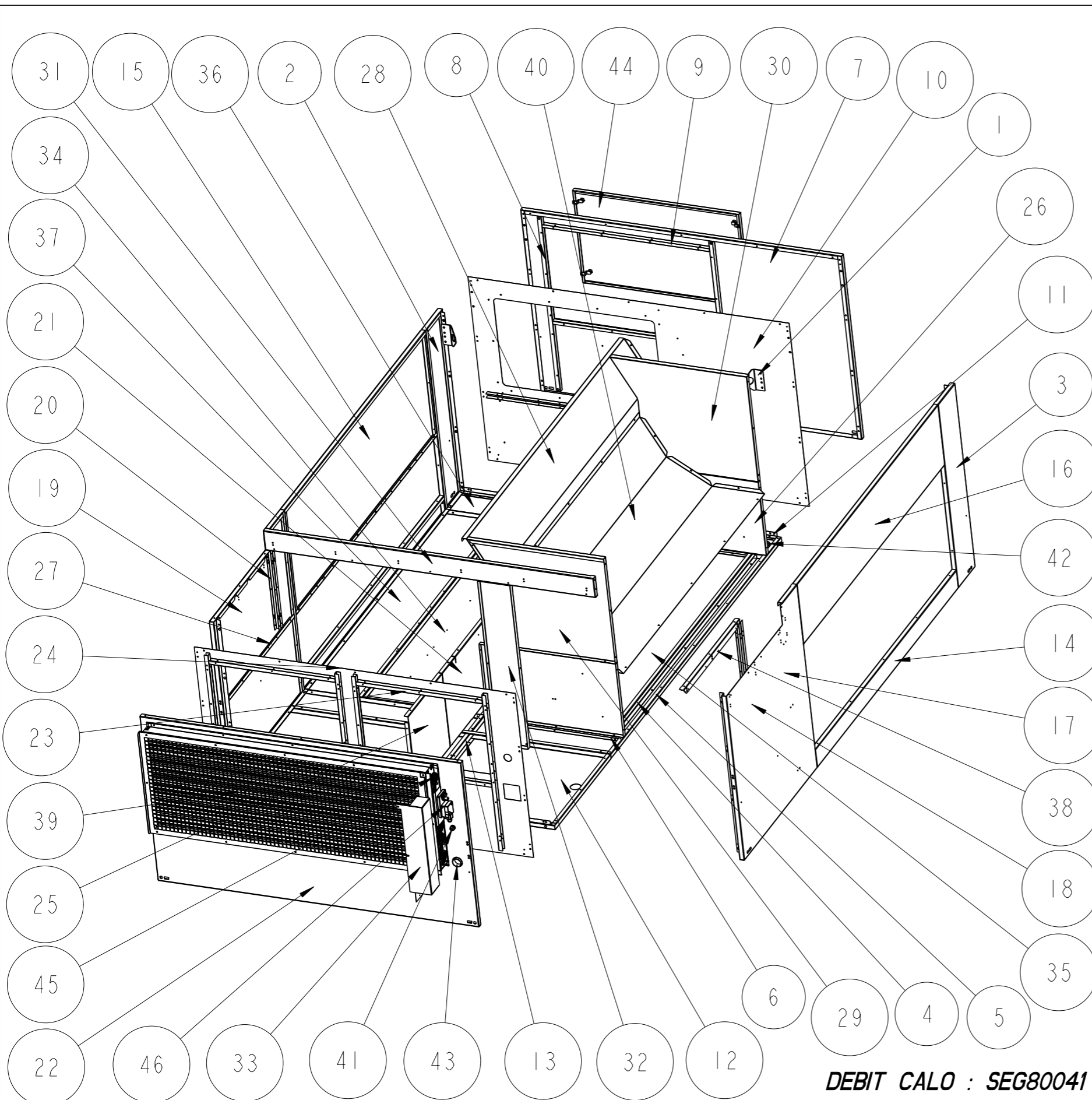
CAISSON EXTRACTION

ENCOMBREMENT



"LGL Europe" ZI Les Meurières BP 71 69780 Mions France
Tel : +33 472232020 www.lennox europe.com

TOLERANCE PLIAGE 1/1000 DU FORMAT BENDING TOLERANCE 1/1000 FORMAT				3FG60004	NA	NA	NO	NA	NA	NA		Weight : 668.99 Kg	folio : 1 / 3	ACG60004
TOLERANCE DEBIT TUBE 1/100 DU DEBIT DIMENSIONS TOLERANCE 1/100 OVER ALL DIMENSION	Modification	Name	Date	Code_ERP	Material	Thickness	Painting	Painting color	Diameter	Tube_cut		Date : 01-Feb-10	Designer : SB	



DEBIT CALO : SEG80041

46	1	SM24A-SR-TP
45	1	SEF61017
44	1	SEF30070
43	1	RACC-SEMAFLEX-PG48-D54
42	2	PASSE-FILS-110X60
41	1	5470303P-PG-13
40	1	7501992
39	1	7501960
38	2	7501953
37	2	7501952
36	2	7501951
35	1	7501918
34	1	7501917
33	1	7501912
32	1	7501905
31	1	7501903
30	1	7501901
29	1	7501900
28	1	7501899
27	1	7501896
26	2	7501895
25	1	7501894
24	1	7501893
23	4	7501892
22	1	7501891
21	1	7501890
20	2	7501889
19	1	7501888
18	7	7501887
17	1	7501886
16	1	7501885
15	1	7501884
14	2	7501883
13	2	7501882
12	1	7501881
11	2	7501880
10	1	7501879
9	2	7501878
8	2	7501877
7	1	7501876
6	2	7501875
5	1	7501874
4	2	7501872
3	1	7501870
2	1	7501869
1	2	1140297
REP	Nb	DESIGNATION

CAISSON EXTRACTION

ENCOMBREMENT

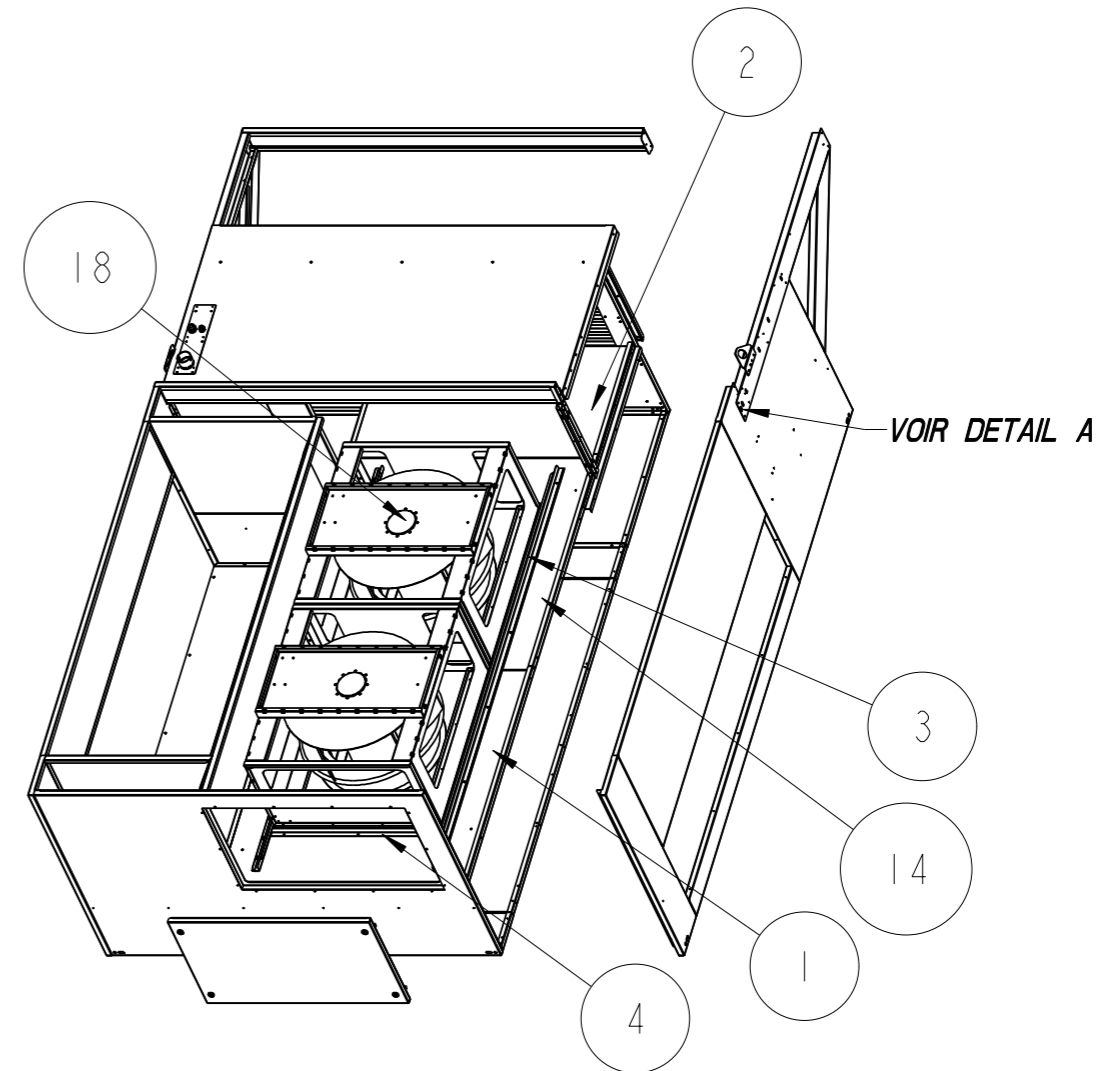
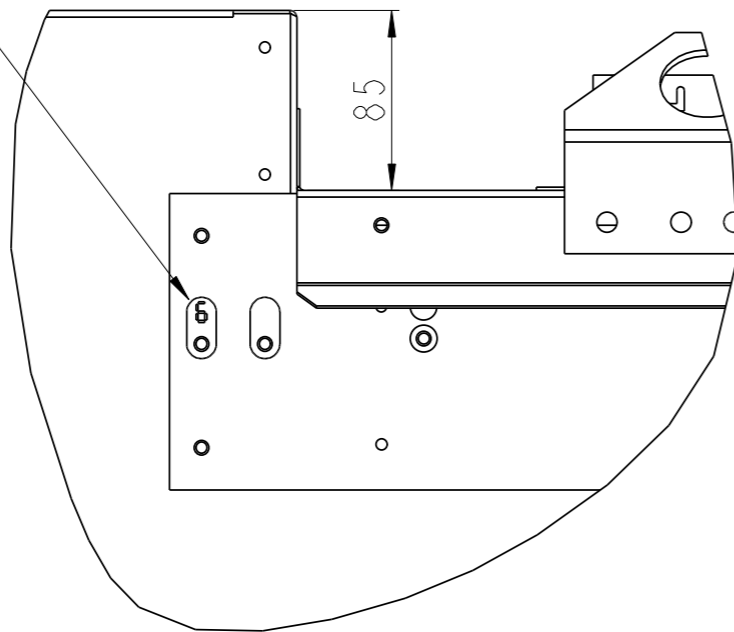


"LGL Europe" ZI Les Meurières BP 71 69780 Mions France
Tel : +33 472232020 www.lennox europe.com

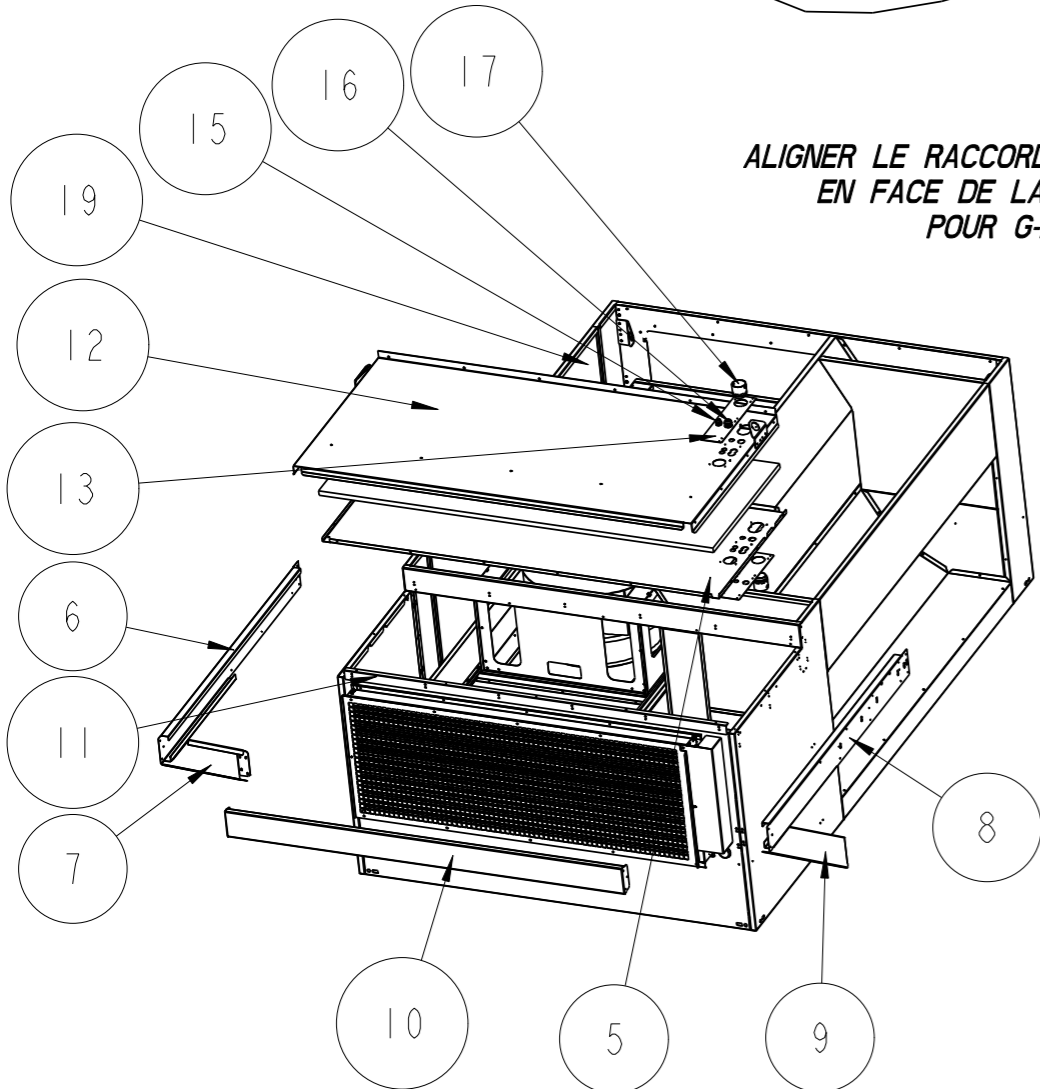
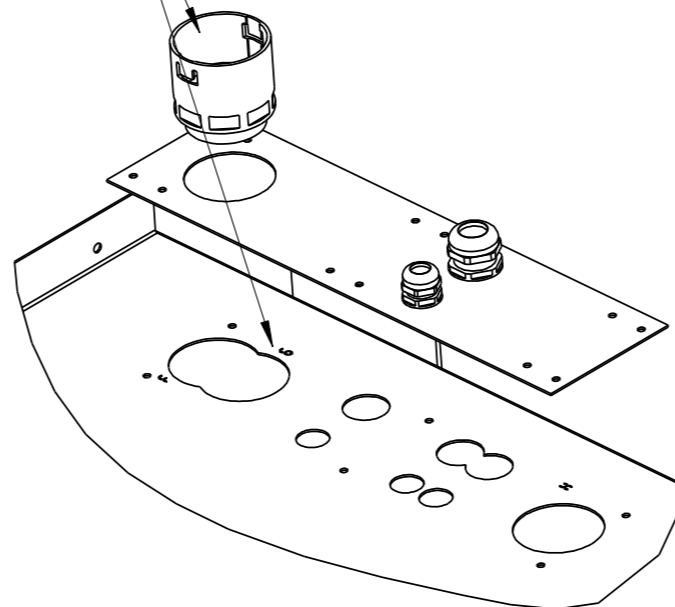
TOLERANCE PLIAGE 1/1000 DU FORMAT BENDING TOLERANCE 1/1000 FORMAT				3FG60004	NA	NA	NO	NA	NA	NA	Weight : 668.99 Kg	folio : 2 / 3	ACG60004
TOLERANCE DEBIT TUBE 1/100 DU DEBIT DIMENSIONS TOLERANCE 1/100 OVER ALL DIMENSION	Modification	Name	Date	Code_ERP	Material	Thickness	Painting	Painting color	Diameter	Tube_cut	Date : 01-Feb-10	Designer : SB	

DETAIL A

POSITIONNER LE RENFORT ARRIERE
LETTRE G VISIBLE
POUR G-BOX



ALIGNER LE RACCORD ET LA PLAQUE
EN FACE DE LA LETTRE G
POUR G-BOX



19	1	SEG80041
18	2	SEF50033
17	3	RACC-SEMAFLEX-PG48-D54
16	1	5470305T-PG-21
15	2	5470303P-PG-13
14	1	7501954
13	2	7501916
12	1	7501914
11	1	7501913
10	1	7501911
9	1	7501910
8	1	7501909
7	1	7501908
6	1	7501907
5	1	7501906
4	2	7501904
3	2	7501902
2	1	7501898
1	1	7501897
REP	Nb	DESIGNATION

CAISSON EXTRACTION

ENCOMBREMENT



"LGL Europe" ZI Les Meurières BP 71 69780 Mions France
Tel : +33 472232020 www.lennox europe.com

TOLERANCE PLIAGE 1/1000 DU FORMAT
BENDING TOLERANCE 1/1000 FORMAT
TOLERANCE DEBIT TUBE 1/100 DU DEBIT
DIMENSIONS TOLERANCE 1/100 OVER ALL DIMENSION

Modification

Name Date

3FG60004

NA

NA

NO

NA

NA

NA



Weight : 668.99 Kg

folio : 3 / 3

Date : 02-Feb-10

Designer : SB

ACG60004