

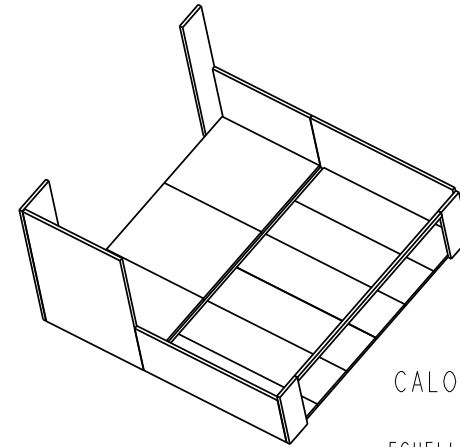
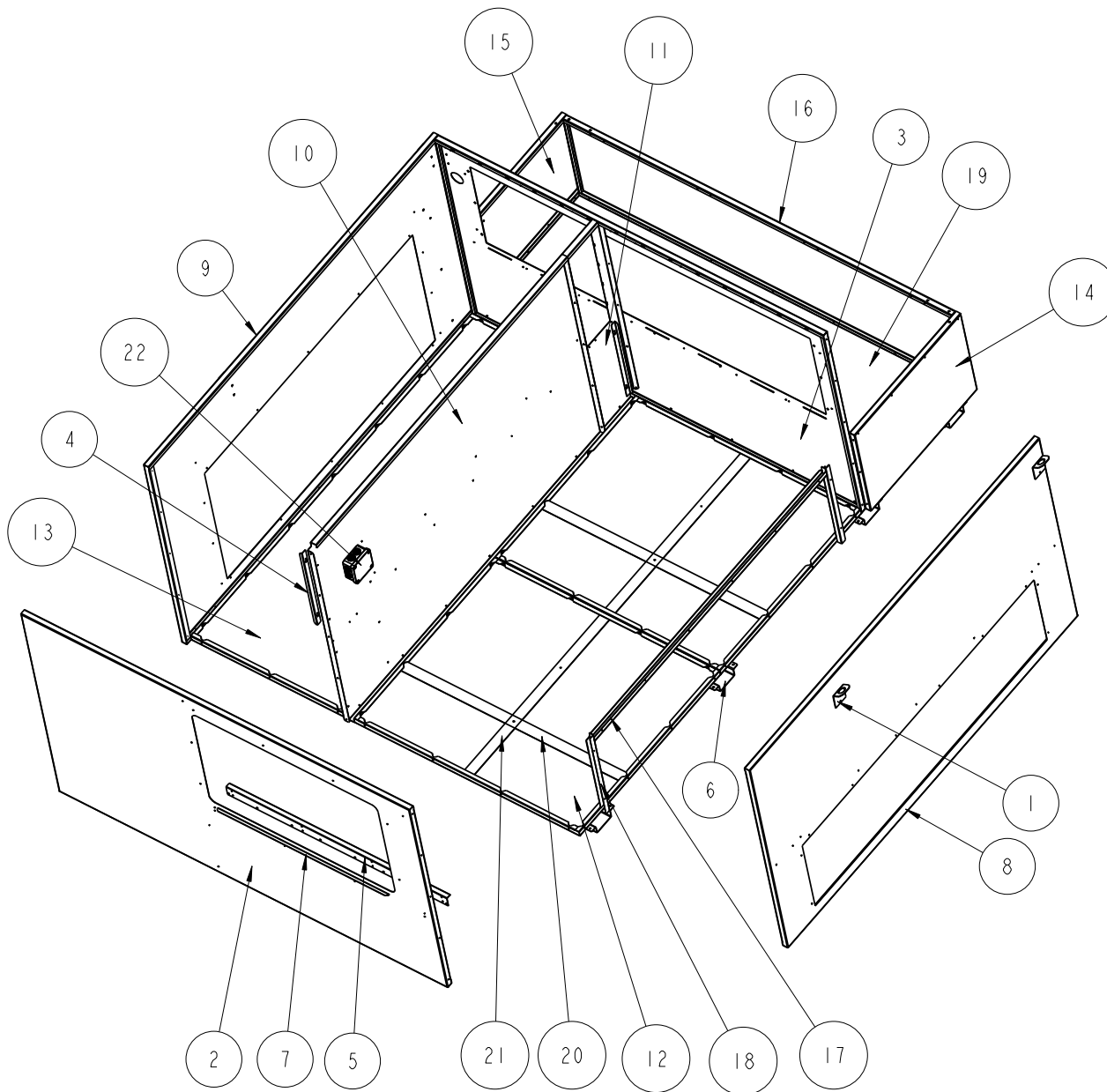
FLEXY-2 F-BOX

RETURN ROOFCURB HORIZONTALFLOW



"Usine De Longvic" Rue Lavoisier BP 60 21602 Longvic cedex
Tel : 03-80-77-41-41 / Fax : 03-80-66-66-35

TOLERANCE PLIAGE 1/1000 DU FORMAT BENDING TOLERANCE 1/1000 FORMAT	FIXATION CABLES	HB	10/11/06	1ACF60000		OUI			Weight : 595.92 Kg	folio : 1 / 6	ACF60000 C
TOLERANCE DEBIT TUBE 1/100 DU DEBIT DIMENSIONS TOLERANCE 1/100 OVER ALL DIMENSION	Modification	Name	Date	Code	Material	Painting	Pricing quantity		Date : 27-Jun-06	Designer : ANG	



CALO SEF80044

ECHELLE 0.030

22	1	5480976L-BOITE-105-105
21	2	7580764
20	4	7580744
19	1	7501138
18	2	7501064
17	1	7501063
16	1	7501060
15	1	7501059
14	1	7501058
13	1	7501053
12	2	7501052
11	1	7501044
10	1	7501043
9	1	7501042
8	1	7501041
7	1	7500856
6	4	7500853
5	1	7500846
4	2	7500837
3	1	7500820
2	1	7500819
1	4	7500197
REP	Nb	DESIGNATION

FLEXY-2 F-BOX

RETURN ROOFCURB HORIZONTALFLOW



"Usine De Longvic" Rue Lavoisier BP 60 21602 Longvic cedex
Tel : 03-80-77-41-41 / Fax : 03-80-66-66-35

TOLERANCE PLAGE 1/1000 DU FORMAT
BENDING TOLERANCE 1/1000 FORMAT
TOLERANCE DEBIT TUBE 1/100 DU DEBIT
DIMENSIONS TOLERANCE 1/100 OVER ALL DIMENSION

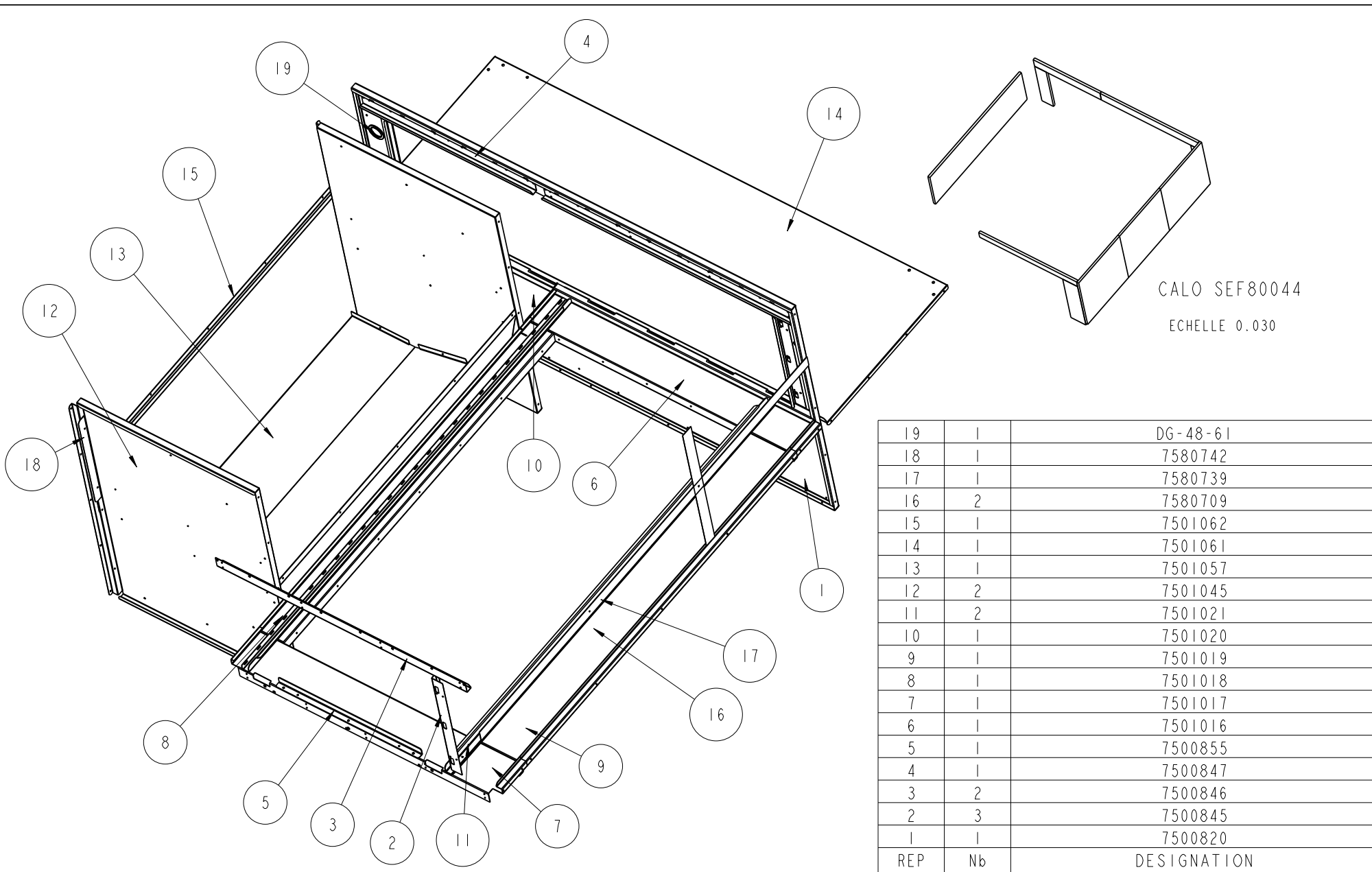
FIXATION CABLES
Modification

HB	Date	Code	Material	Painting
10/11/06		IACF60000		OUI
Name	Date	Code	Material	Painting



Weight : 595.92 KG
Date : 23-Oct-06
Folio : 2 / 6
Designer : ANG

ACF60000 C



CALO SEF80044
 ECHELLE 0.030

19	1	DG-48-61
18	1	7580742
17	1	7580739
16	2	7580709
15	1	7501062
14	1	7501061
13	1	7501057
12	2	7501045
11	2	7501021
10	1	7501020
9	1	7501019
8	1	7501018
7	1	7501017
6	1	7501016
5	1	7500855
4	1	7500847
3	2	7500846
2	3	7500845
1	1	7500820
REP	Nb	DESIGNATION

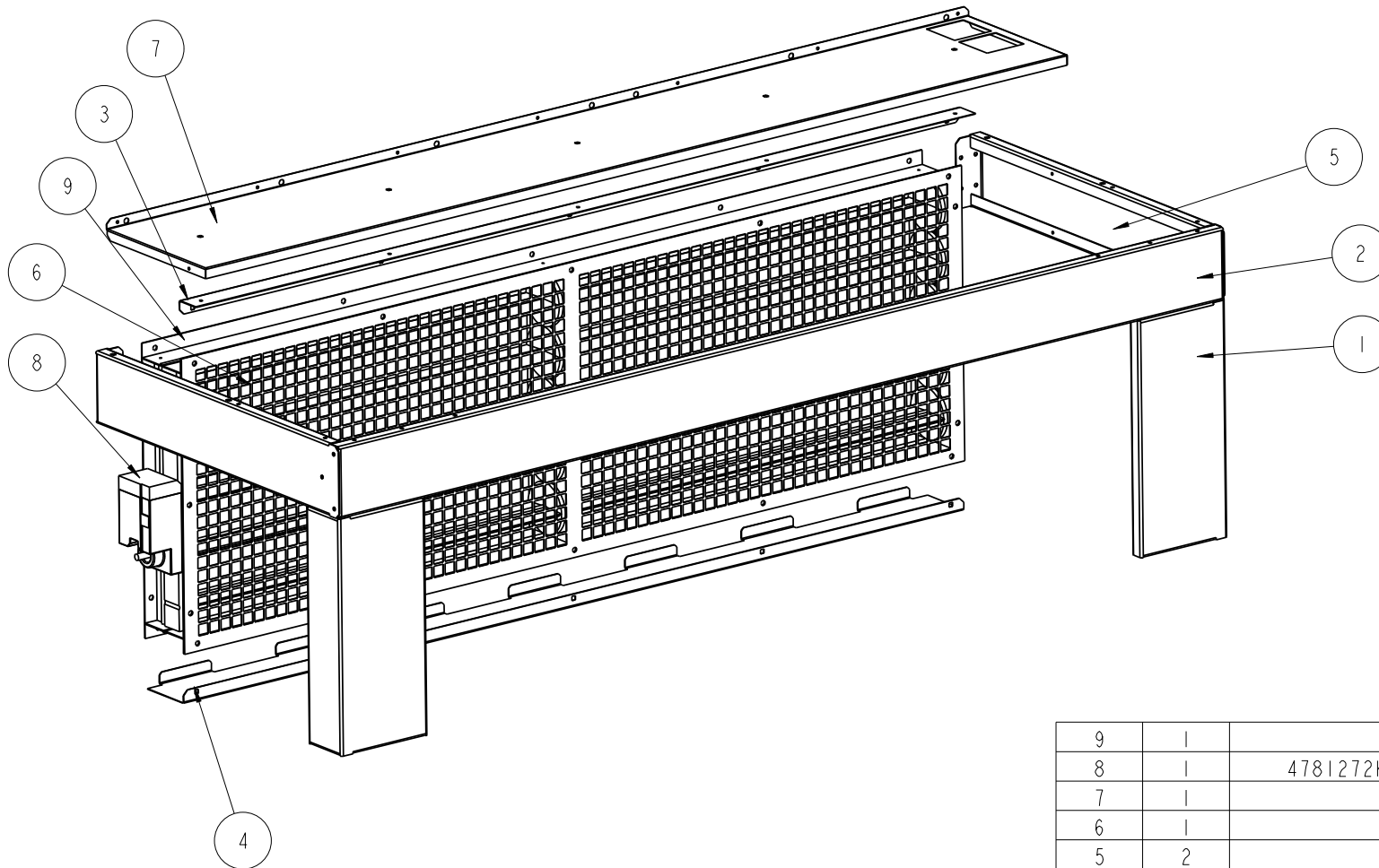
FLEXY-2 F-BOX

RETURN ROOFCURB HORIZONTALFLOW

LENNOX "Usine De Longvic" Rue Lavoisier BP 60 21602 Longvic cedex
 Tel : 03-80-77-41-41 / Fax : 03-80-66-66-35

TOLERANCE PLAGE 1/1000 DU FORMAT BENDING TOLERANCE 1/1000 FORMAT	FIXATION CABLES	HB	10/11/06	IACF60000	OUI	Weight : 595.92 KG	Folio : 3 / 6
TOLERANCE DEBIT TUBE 1/100 DU DEBIT DIMENSIONS TOLERANCE 1/100 OVER ALL DIMENSION	Modification	Name	Date	Code	Material	Painting	Date : 23-Oct-06 Designer : ANG

ACF60000 C



9	1	SEG61004
8	1	4781272K-SERVOMOTEUR-24V-SM17
7	1	7501135
6	1	7501134
5	2	7501010
4	1	7500850
3	1	7500849
2	1	7500832
1	2	7500830
REP	Nb	DESIGNATION

FLEXY-2 F-BOX

RETURN ROOFCURB HORIZONTALFLOW



"Usine De Longvic" Rue Lavoisier BP 60 21602 Longvic cedex
Tel : 03-80-77-41-41 / Fax : 03-80-66-66-35

TOLERANCE PLIAGE 1/1000 DU FORMAT
BENDING TOLERANCE 1/1000 FORMAT
TOLERANCE DEBIT TUBE 1/100 DU DEBIT
DIMENSIONS TOLERANCE 1/100 OVER ALL DIMENSION

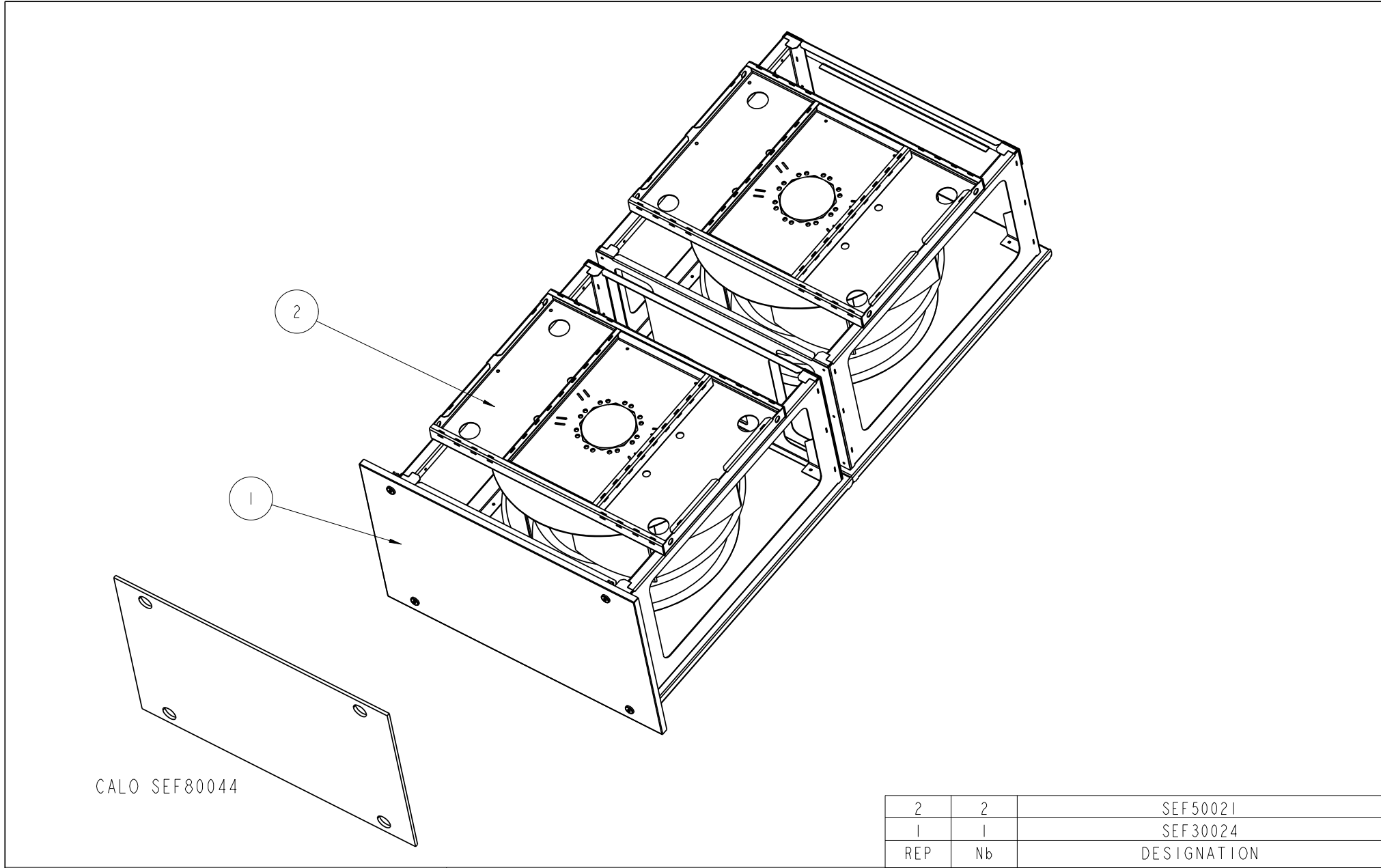
FIXATION CABLES
Modification

HB	Date	Code	Material	Painting
10/11/06		IACF60000		OUI
Name	Date	Code	Material	Painting



Weight : 595.92 KG
Date : 23-Oct-06
Folio : 4 / 6
Designer : ANG

ACF60000 C



CALO SEF80044

2	2	SEF50021
1	1	SEF30024
REP	Nb	DESIGNATION

FLEXY-2 F-BOX

RETURN ROOFCURB HORIZONTALFLOW

LENNOX "Usine De Longvic" Rue Lavoisier BP 60 21602 Longvic cedex
Tel : 03-80-77-41-41 / Fax : 03-80-66-66-35

TOLERANCE PLAGE 1/1000 DU FORMAT BENDING TOLERANCE 1/1000 FORMAT	FIXATION CABLES	HB	10/11/06	IACF60000		OUI	Weight : 595.92 KG	Folio : 5 / 6	ACF60000 C
TOLERANCE DEBIT TUBE 1/100 DU DEBIT DIMENSIONS TOLERANCE 1/100 OVER ALL DIMENSION	Modification	Name	Date	Code	Material	Painting	Date : 23-Oct-06	Designer : ANG	