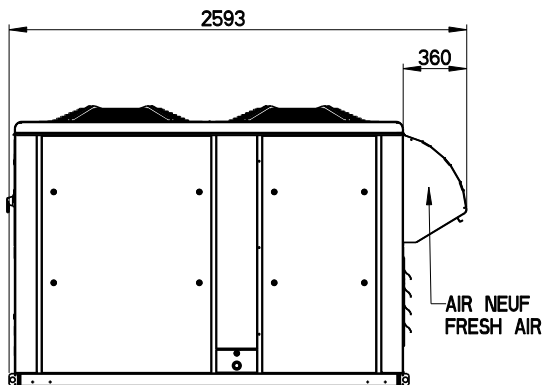


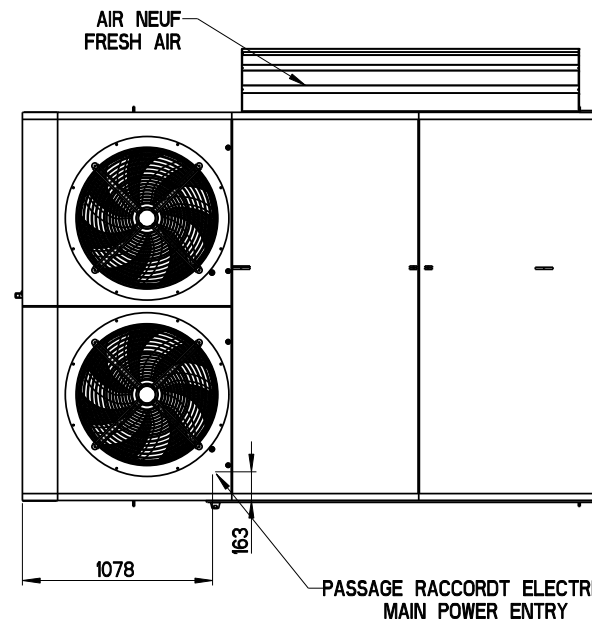
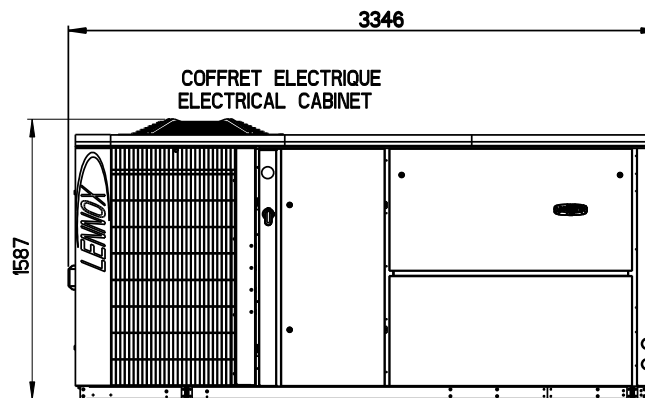


GRAVITY EXHAUST DAMPER
FOR DOWNFLOW RETURN



SOUFFLAGE DESSOUS
DOWNFLOW SUPPLY

REPRISE DESSOUS
DOWNFLOW RETURN



FHM-FCM 085-120

DRDS ECOH GEDD

LENNOX "Usine De Longvic" Rue Lavoisier BP 60 21602 Longvic cedex
Tel : 03-80-77-41-41 / Fax : 03-80-66-66-35

TOLERANCE PLAQUE 1/1000 DU FORMAT BENDING TOLERANCE 1/1000 FORMAT	EVOLUTION-2	HB	28/06/07			OUI		Weight : 1150.18 Kg	folio : 1 / 1	FHM120C12 A
TOLERANCE DEBIT TUBE 1/100 DU DEBIT DIMENSIONS TOLERANCE 1/100 OVER ALL DIMENSION	Modification	Name	Date	Code	Material	Painting	Pricing quantity	Date : 20-Jul-06	Designer : BA	