

FLEXY-2 F-BOX

RETURN ROOFCURB DOWNFLOW

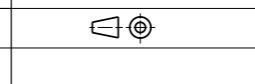


"Usine De Longvic" Rue Lavoisier B.P 60 21602 Longvic cedex
Tel : 03-80-77-41-41 / Fax : 03-80-66-66-35

TOLERANCE PLIAGE 1/1000 DU FORMAT
BENDING TOLERANCE 1/1000 FORMAT
TOLERANCE DEBIT TUBE 1/100 DU DEBIT
DIMENSIONS TOLERANCE 1/100 OVER ALL DIMENSION

POSITION BOITIER DE COUPLAGE
Modification

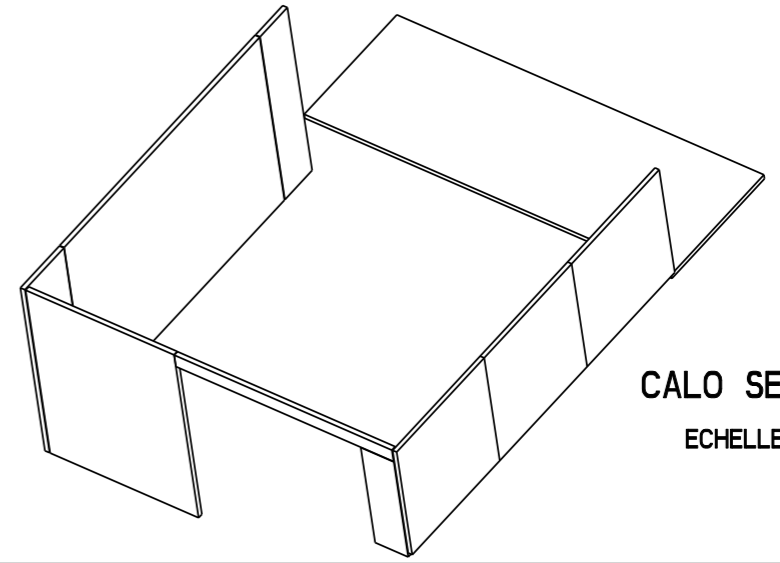
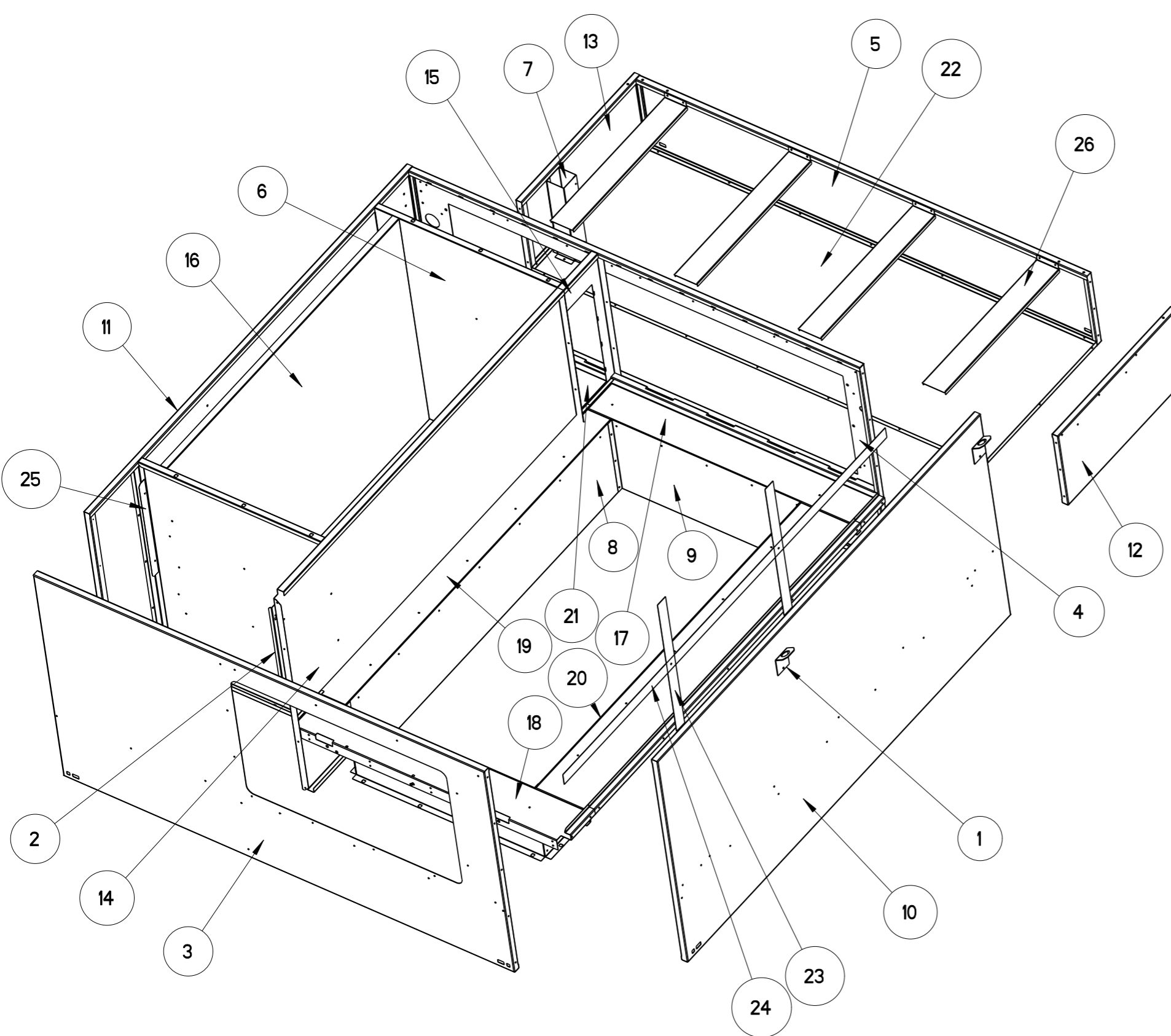
| | | | | | |
|------|----------|-----------|----------|----------|------------------|
| BA | 17/01/07 | IACF20000 | OUI | | |
| Name | Date | Code | Material | Painting | Pricing quantity |



Weight : 604.51 Kg
Date : 27-Jun-06

folio : 1 / 6
Designer : ANG

ACF20000 D



CALO SEF80042
EHELLE 0.030

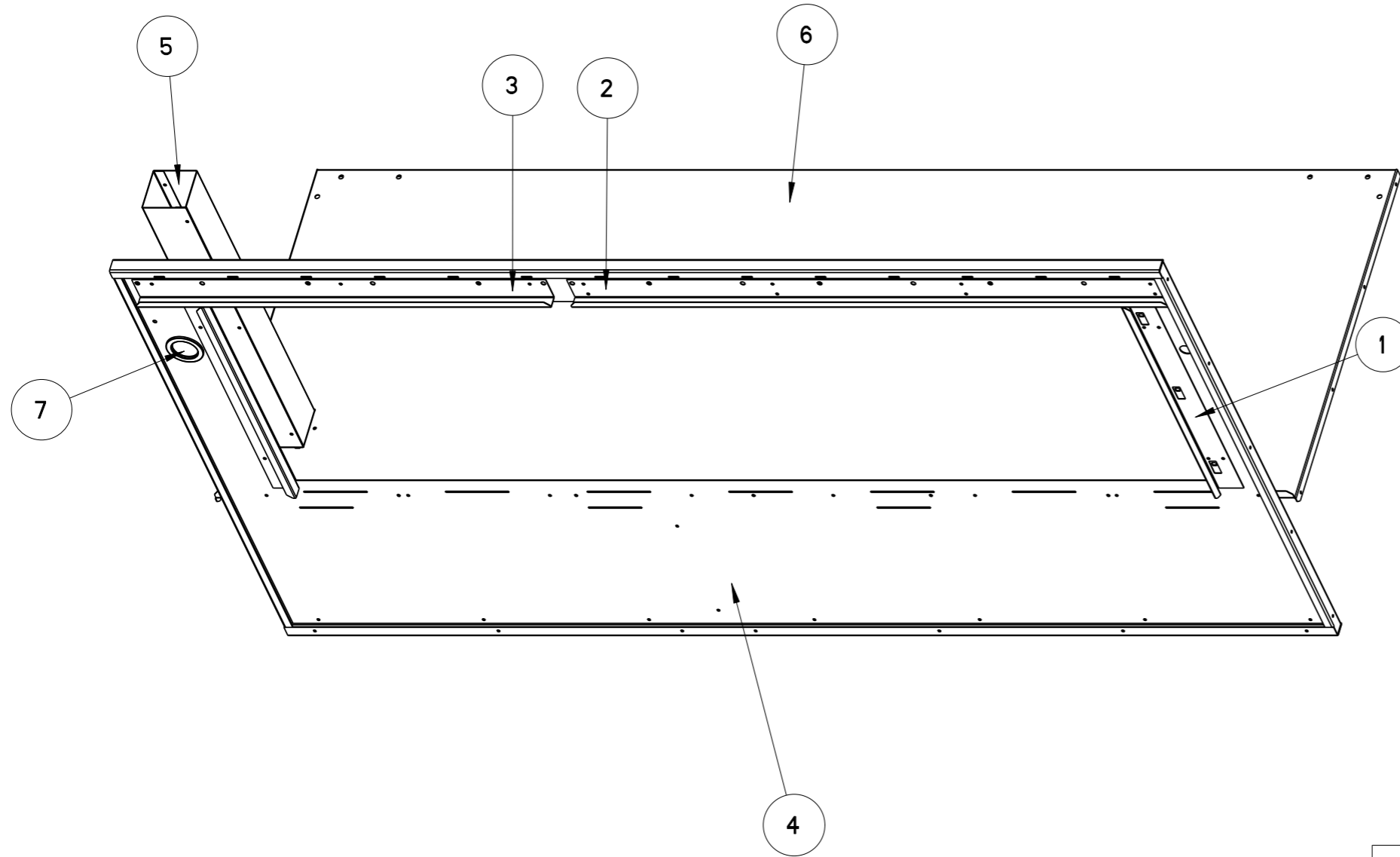
| | | |
|-----|----|-------------|
| 26 | 4 | 7580743 |
| 25 | 1 | 7580742 |
| 24 | 1 | 7580739 |
| 23 | 2 | 7580709 |
| 22 | 1 | 7501136 |
| 21 | 1 | 7501020 |
| 20 | 1 | 7501019 |
| 19 | 1 | 7501018 |
| 18 | 1 | 7501017 |
| 17 | 1 | 7501016 |
| 16 | 1 | 7501015 |
| 15 | 1 | 7501014 |
| 14 | 1 | 7501013 |
| 13 | 1 | 7501007 |
| 12 | 1 | 7501006 |
| 11 | 1 | 7501005 |
| 10 | 1 | 7501004 |
| 9 | 2 | 7501003 |
| 8 | 2 | 7501002 |
| 7 | 2 | 7500956 |
| 6 | 2 | 7500948 |
| 5 | 1 | 7500943 |
| 4 | 1 | 7500940 |
| 3 | 1 | 7500939 |
| 2 | 1 | 7500837 |
| 1 | 4 | 7500197 |
| REP | Nb | DESIGNATION |

FLEXY-2 F-BOX

RETURN ROOFCURB DOWNFLOW

LENNOX "Usine De Longvic" Rue Lavoisier BP 60 21602 Longvic cedex
Tel : 03-80-77-41-41 / Fax : 03-80-66-66-35

| | | | | | | | | | |
|--|------------------------------|------|----------|-----------|----------|----------|--------------------|----------------|------------|
| TOLERANCE PLIAGE 1/1000 DU FORMAT BENDING TOLERANCE 1/1000 FORMAT | POSITION BOITIER DE COUPLAGE | BA | 17/01/07 | 1ACF20000 | | OUI | Weight : 604.51 KG | Folio : 2 / 6 | ACF20000 D |
| TOLERANCE DEBIT TUBE 1/100 DU DEBIT DIMENSIONS TOLERANCE 1/100 OVER ALL DIMENSION | Modification | Name | Date | Code | Material | Painting | Date : 18-Oct-06 | Designer : ANG | |



| | | |
|-----|----|-------------|
| 7 | 1 | DG-48-61 |
| 6 | 1 | 7501137 |
| 5 | 2 | 7500957 |
| 4 | 1 | 7500940 |
| 3 | 1 | 7500847 |
| 2 | 1 | 7500846 |
| 1 | 2 | 7500845 |
| REP | Nb | DESIGNATION |

FLEXY-2 F-BOX

RETURN ROOFCURB DOWNFLOW



"Usine De Longvic" Rue Lavoisier B.P 60 21602 Longvic cedex
Tel : 03-80-77-41-41 / Fax : 03-80-66-66-35

TOLERANCE PLIAGE 1/1000 DU FORMAT
BENDING TOLERANCE 1/1000 FORMAT
TOLERANCE DEBIT TUBE 1/100 DU DEBIT
DIMENSIONS TOLERANCE 1/100 OVER ALL DIMENSION

POSITION BOITIER DE COUPLAGE

BA

17/01/07

1ACF20000

OUI



Weight : 604.51 KG

Folio : 3 / 6

Modification

Name

Date

Code

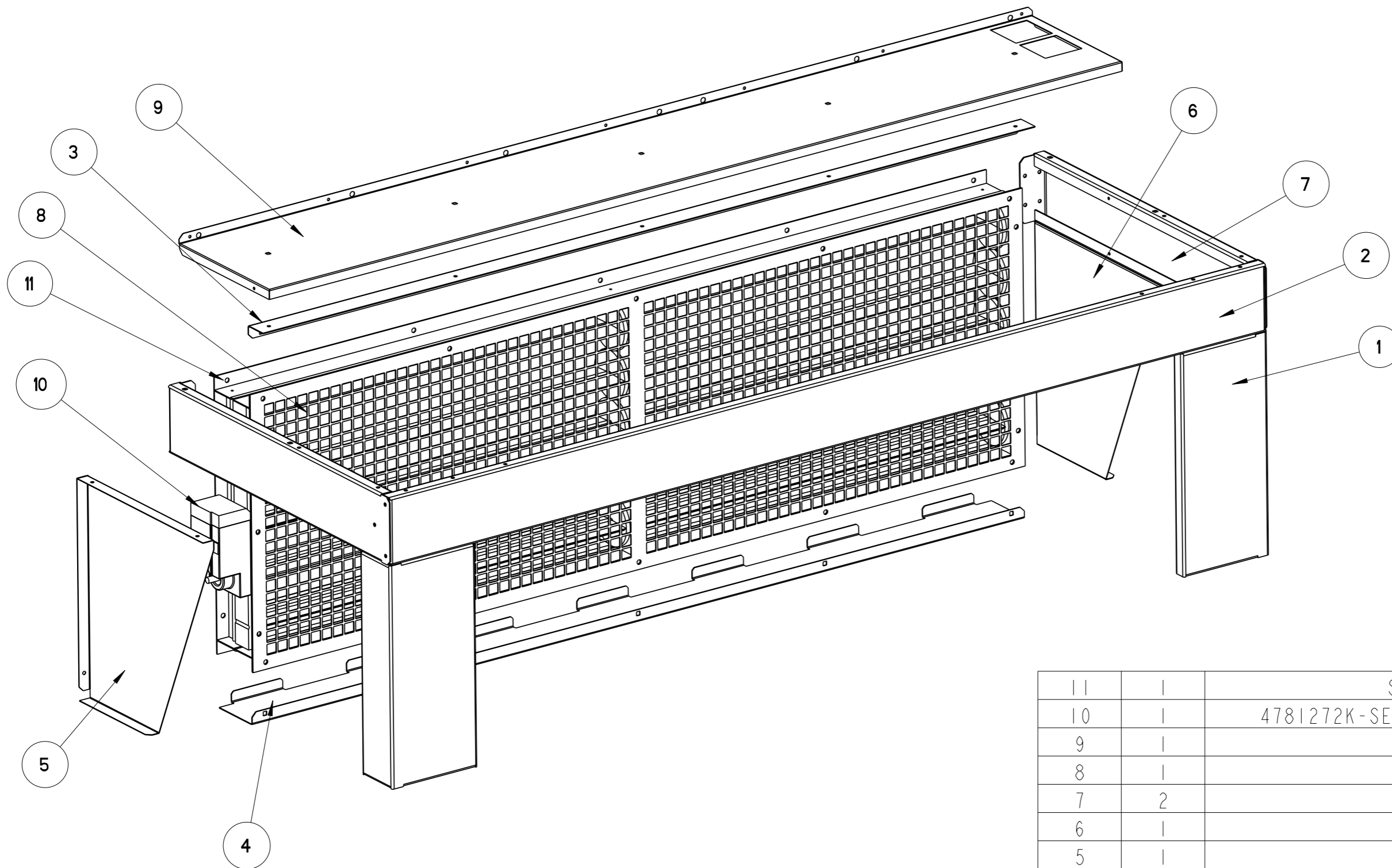
Material

Painting

Date : 18-Oct-06

Designer : ANG

ACF20000 D



| | | |
|-----|----|-------------------------------|
| 11 | 1 | SEG61004 |
| 10 | 1 | 4781272K-SERVOMOTEUR-24V-SMI7 |
| 9 | 1 | 7501135 |
| 8 | 1 | 7501134 |
| 7 | 2 | 7501010 |
| 6 | 1 | 7500852 |
| 5 | 1 | 7500851 |
| 4 | 1 | 7500850 |
| 3 | 1 | 7500849 |
| 2 | 1 | 7500832 |
| 1 | 2 | 7500830 |
| REP | Nb | DESIGNATION |

FLEXY-2 F-BOX

RETURN ROOFCURB DOWNFLOW



"Usine De Longvic" Rue Lavoisier B.P 60 21602 Longvic cedex
Tel : 03-80-77-41-41 / Fax : 03-80-66-66-35

TOLERANCE PLIAGE 1/1000 DU FORMAT
BENDING TOLERANCE 1/1000 FORMAT
TOLERANCE DEBIT TUBE 1/100 DU DEBIT
DIMENSIONS TOLERANCE 1/100 OVER ALL DIMENSION

POSITION BOITIER DE COUPLAGE

BA

17/01/07

1ACF20000

OUI



Weight : 604.51 KG

Folio : 4 / 6

ACF20000 D

Modification

Name

Date

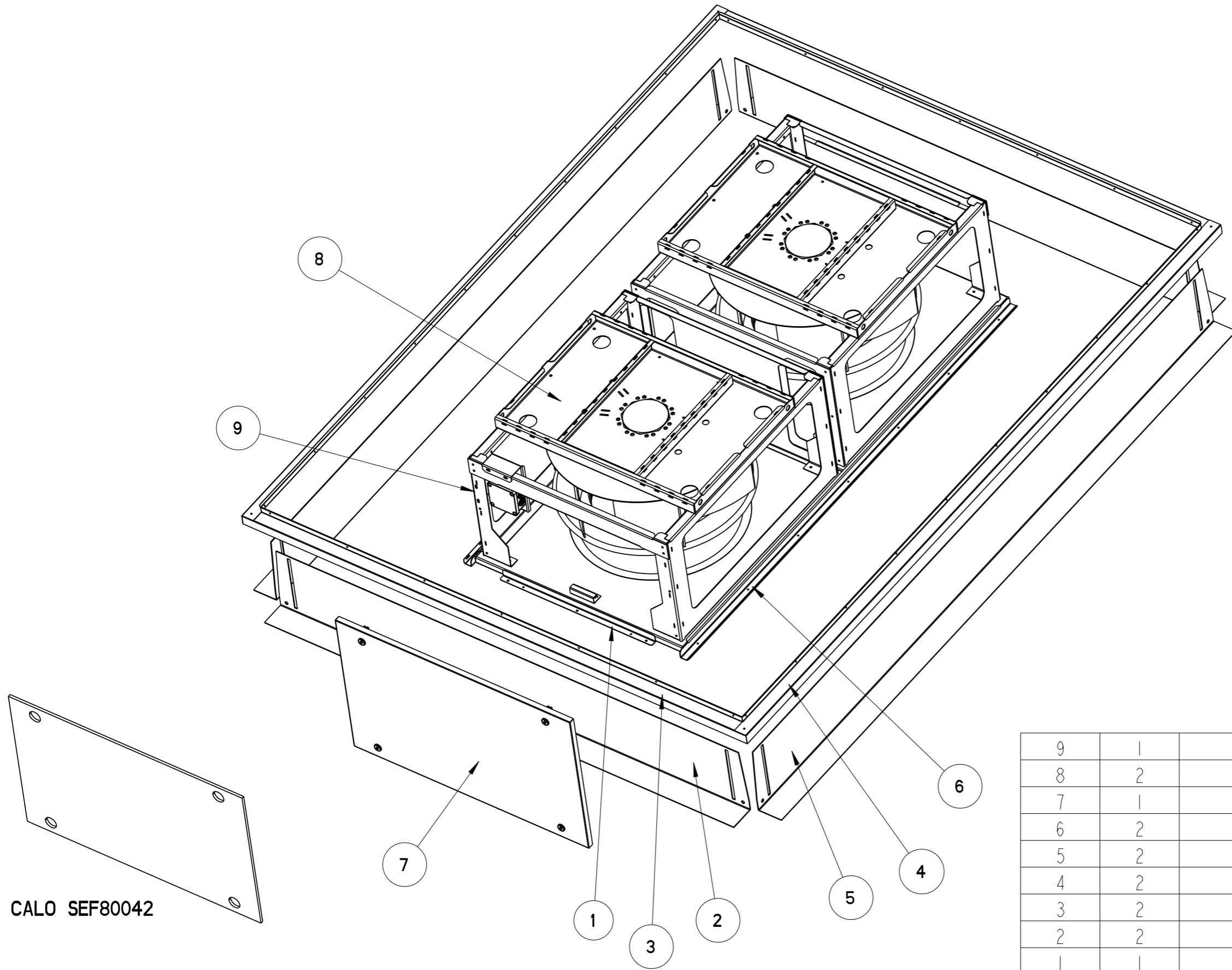
Code

Material

Painting

Date : 18-Oct-06

Designer : ANG



CALO SEF80042

| | | |
|-----|----|-------------|
| 9 | 1 | SEF70014 |
| 8 | 2 | SEF50021 |
| 7 | 1 | SEF30024 |
| 6 | 2 | 7501021 |
| 5 | 2 | 7501012 |
| 4 | 2 | 7501011 |
| 3 | 2 | 7500952 |
| 2 | 2 | 7500951 |
| 1 | 1 | 7500855 |
| REP | Nb | DESIGNATION |

FLEXY-2 F-BOX

RETURN ROOFCURB DOWNFLOW

LENNOX "Usine De Longvic" Rue Lavoisier B.P 60 21602 Longvic cedex
Tel : 03-80-77-41-41 / Fax : 03-80-66-66-35

TOLERANCE PLIAGE 1/1000 DU FORMAT
BENDING TOLERANCE 1/1000 FORMAT
TOLERANCE DEBIT TUBE 1/100 DU DEBIT
DIMENSIONS TOLERANCE 1/100 OVER ALL DIMENSION

POSITION BOITIER DE COUPLAGE

BA

17/01/07

1ACF20000

OUI



Weight : 604.51 KG

Folio : 5 / 6

ACF20000 D

Modification

Name

Date

Code

Material

Painting

Date : 18-Oct-06

Designer : ANG

| INDICE | NOME | DESIGNATION MODIFICATION | DATE INDICE |
|--------|------|------------------------------|-------------|
| D | BA | POSITION BOITIER DE COUPLAGE | 17/01/07 |
| C | HB | FIXATIONS CABLES | 10/11/06 |
| B | YB | MAINTIENTS CALO | 25/09/06 |
| A | ANG | MISE A JOUR | 23/08/06 |

"Usine De Longvic" Rue Lavoisier BP 60 21602 Longvic cedex
Tel : 03-80-77-41-41 / Fax : 03-80-66-66-35

HISTORIQUE MODIFICATION