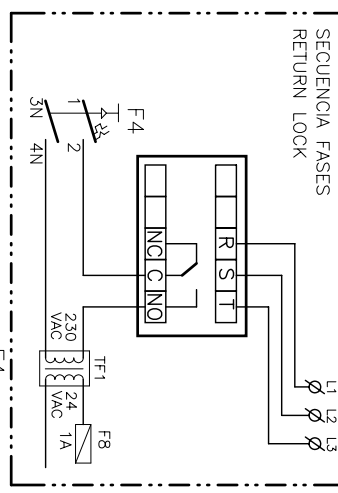
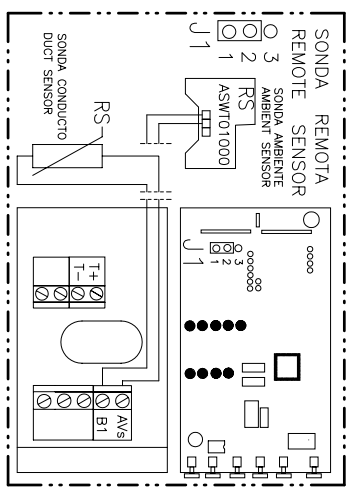
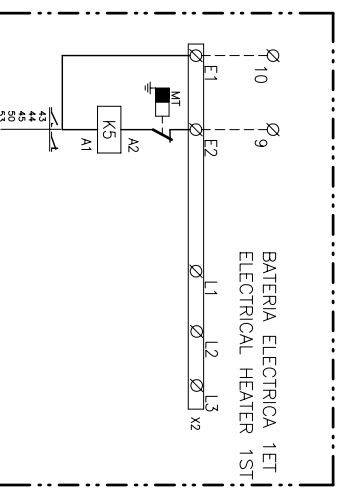
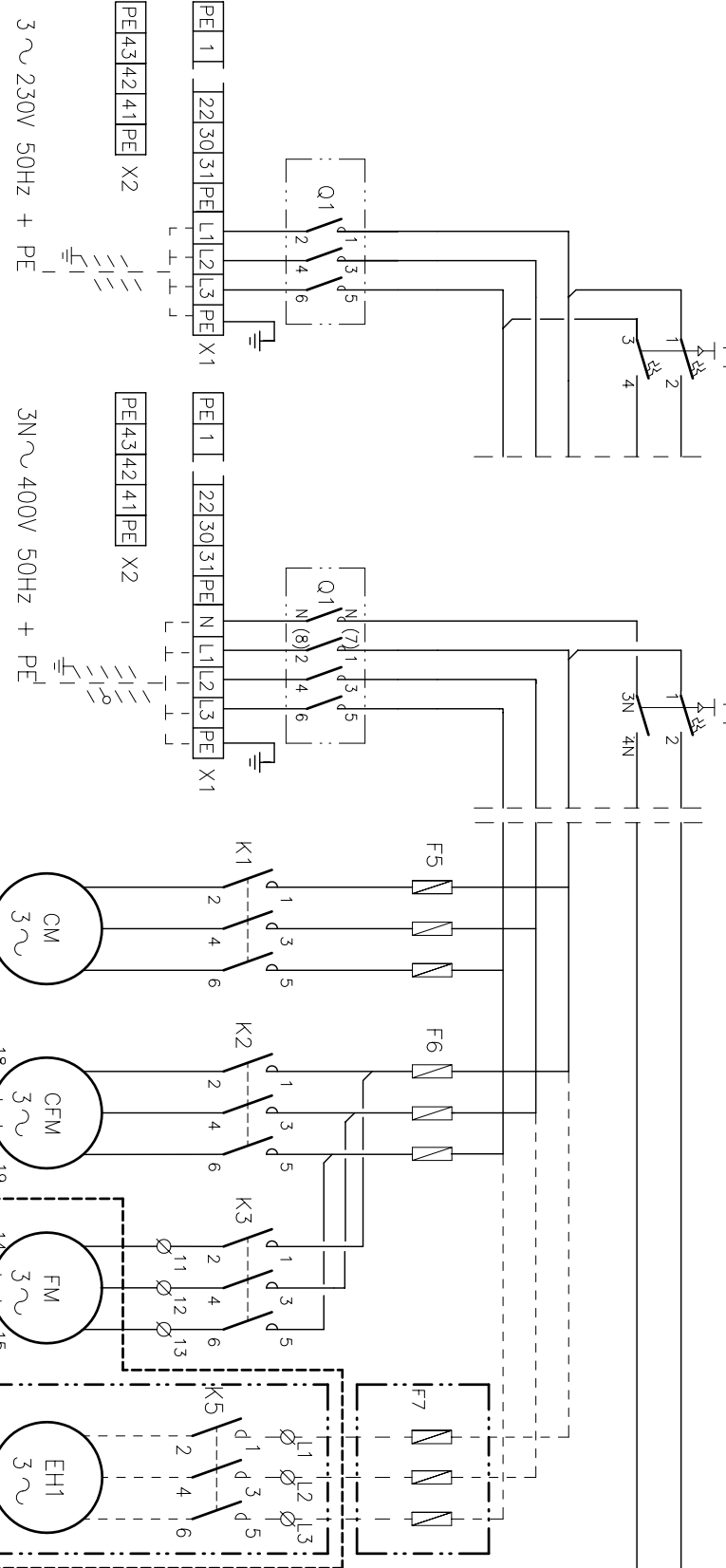


ELEMENTOS OPCIONALES / OPTIONAL ELEMENTS



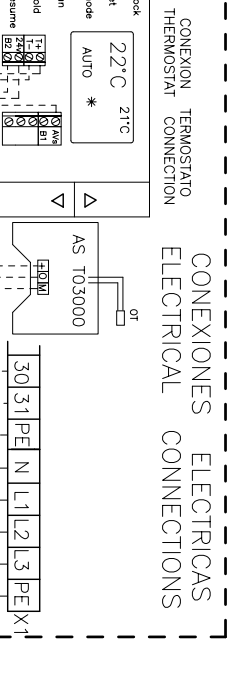
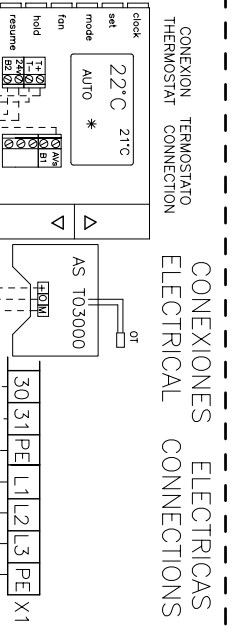
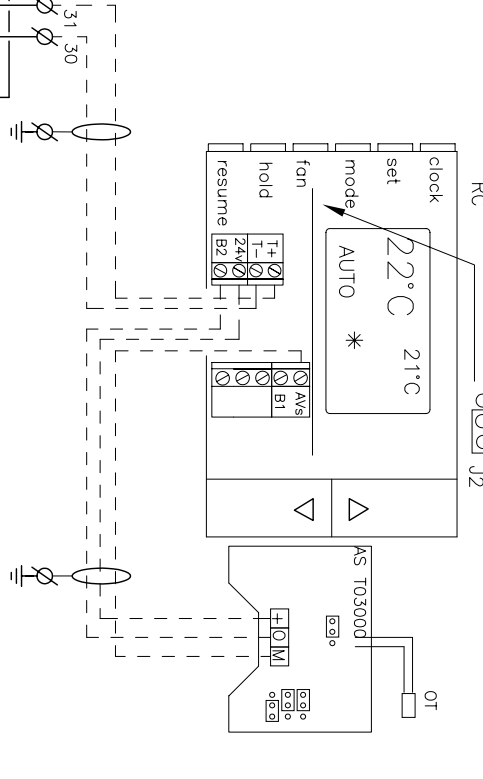
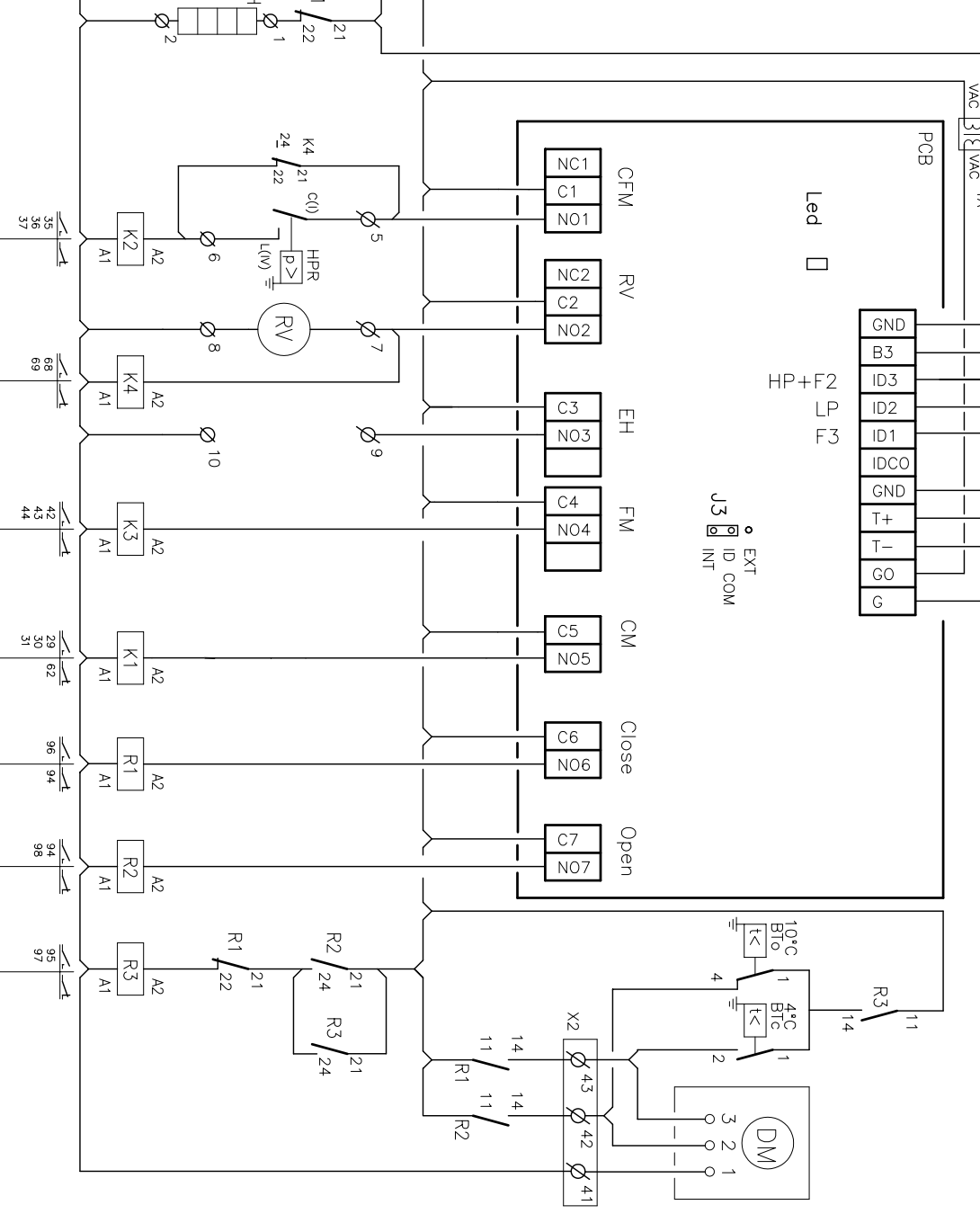
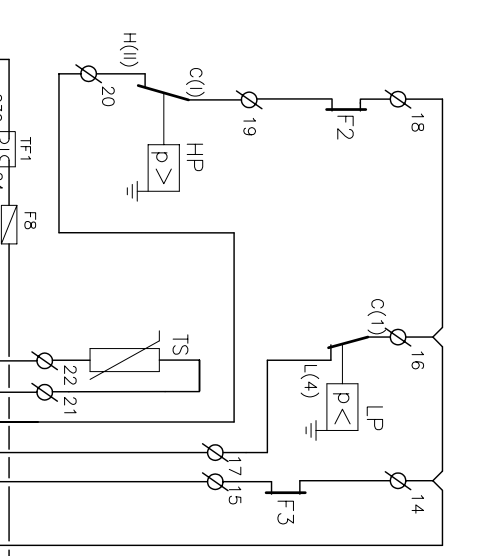
- C Condensador
- CFM Motor Ventilador Exterior
- CH Calefactor de C fiter
- CM Motor del Compresor
- EH Bateria El ctrica
- F1-3 Protecci n T rmica
- F4 Magnetot rmico
- F5-8 Fusibles
- FM Motor Ventilador Interior
- HP Presostato de Alta Presi n
- HPR Presostato control de condensaci n
- K Contactor
- LP Presostato de Baja Presi n
- MT Termostato de Seguridad
- PCB Placa Circuito Impreso
- Q1 Interruptor general
- RC Control Remoto
- RV Vlvula Inversora
- RS Sonda remota
- SV Vlvula solenoide
- TF Transformador
- TS Sonda exterior
- B1o Termostato de descarga
- B2c Termostato de descarga
- OT Sonda exterior
- DM Servomotor

- Condenser
- Condenser Fan Motor
- Crank Case Heater
- Compressor Motor
- Electric Heater
- Thermal Protection
- Circuitbreaker
- Fuses
- Internal Fan Motor
- High Pressure Pressostat
- Condensing temperature pressostat
- Contactor
- Low Pressure Pressostat
- Security Thermostat
- Printed Circuit Board
- Main switch
- Remote Control
- Reverse Valve
- Remote sensor
- Solenoid Valve
- Transformer
- External sensor
- Discharge thermostat
- Discharge thermostat
- Outdoor sensor
- Damper



Elemento Opcional  
Optional Element  
A Realizor por el Instalador  
To Wire by the Installer

Fusibles Fuses size	F5	F6
230/3/50	3 x 32A	3 x 16A
400/3/50	3 x 20A	3 x 10A



Lennox Refrac S.A. ESQUEMA ELECTRICO (ELECTRIC DIAGRAM) FLHA (LFHA+KFHA) 22 FLHK (LFHK+KFHK) 22 32-33-685-434 12C 3N 400V 50HZ PE 3 ~ 230V 50HZ + PE