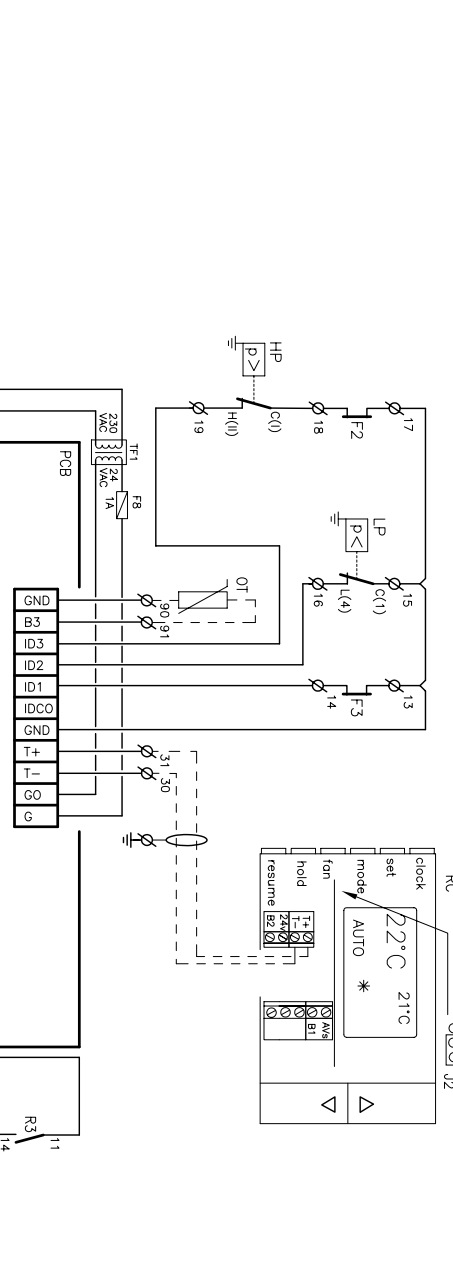
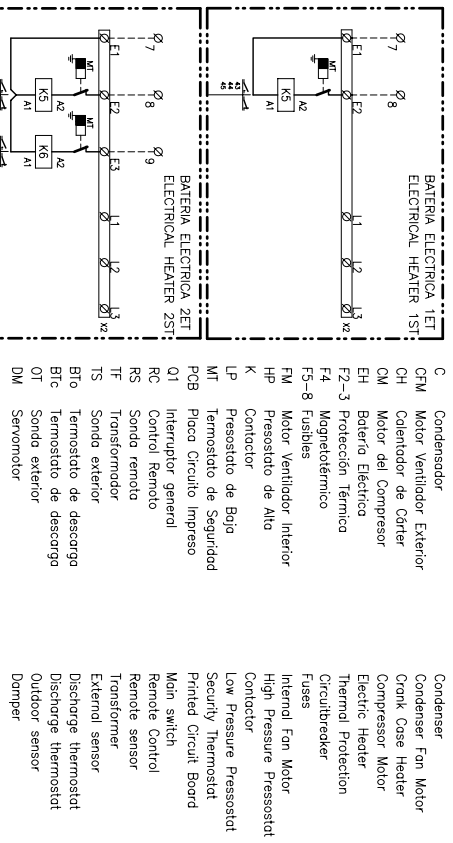
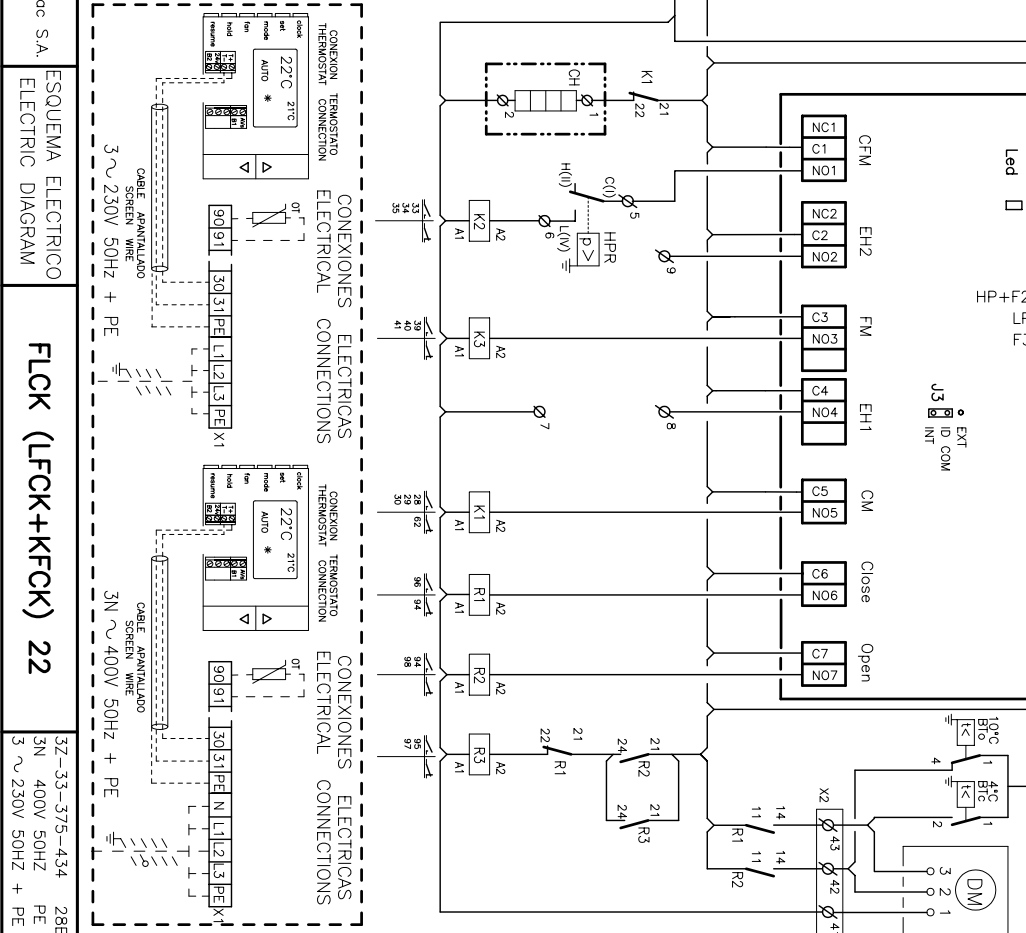
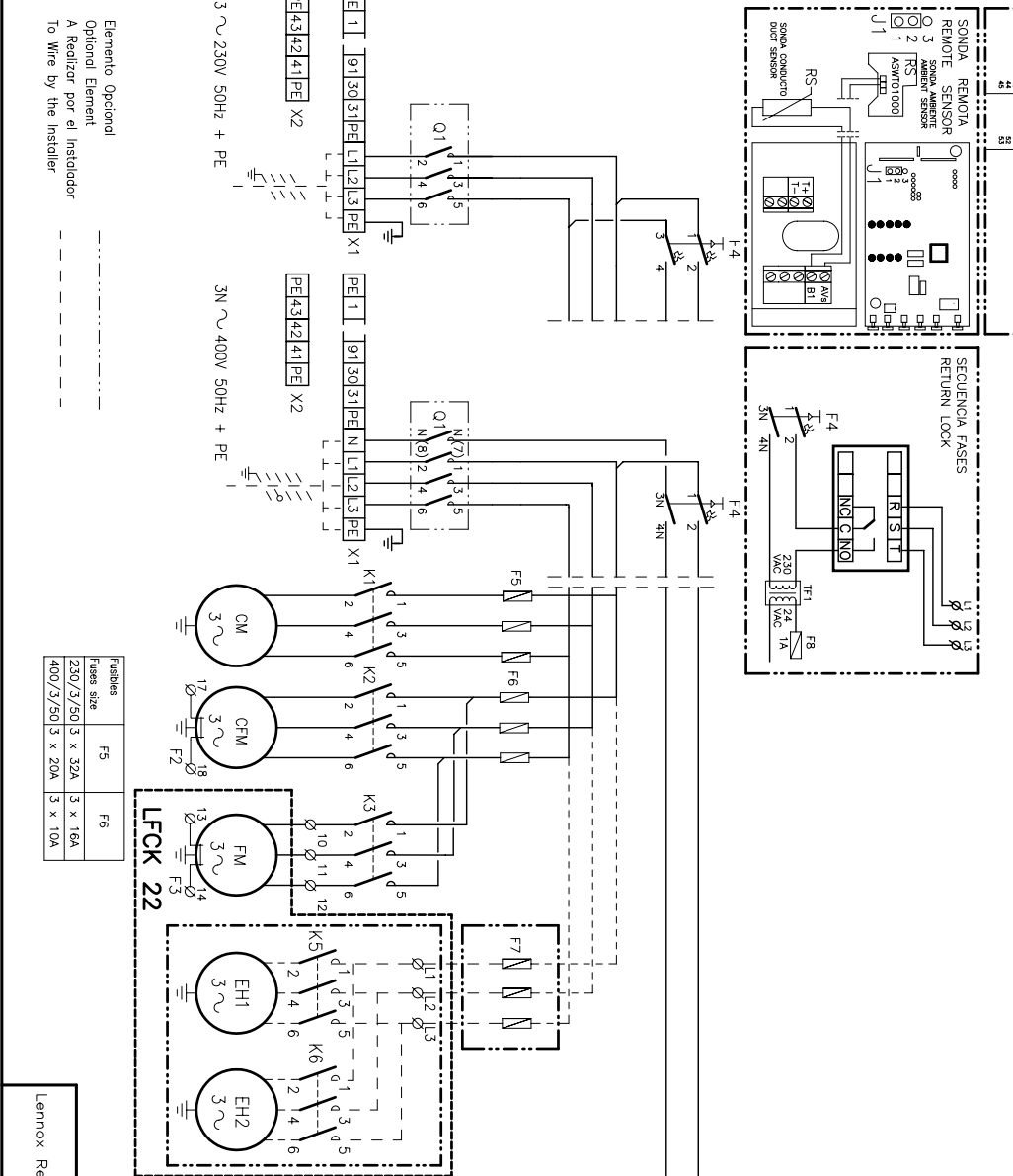


ELEMENTOS OPCIONALES / OPTIONAL ELEMENTS



- |      |                           |                          |
|------|---------------------------|--------------------------|
| C    | Condensador               | Condenser                |
| CFM  | Motor Ventilador Exterior | Condenser Fan Motor      |
| CH   | Coilador de Carter        | Crank Case Heater        |
| CM   | Motor del Compresor       | Compressor Motor         |
| EH   | Bateria Electrica         | Electric Heater          |
| F2-3 | Protección Térmica        | Thermal Protection       |
| F4   | Magnetotermico            | Circuitbreaker           |
| F5-8 | Fusibles                  | Fuses                    |
| FM   | Motor Ventilador Interior | Internal Fan Motor       |
| HP   | Presostato de Alta        | High Pressure Pressostat |
| K    | Contacto                  | Contact                  |
| LP   | Presostato de Bajo        | Low Pressure Pressostat  |
| MT   | Termostato de Seguridad   | Security Thermostat      |
| PCB  | Placa Circuito Impreso    | Printed Circuit Board    |
| O1   | Interruptor general       | Main switch              |
| RS   | Control Remoto            | Remote Control           |
| TS   | Sonda remota              | Remote sensor            |
| TF   | Transformador             | Transformer              |
| TS   | Sonda exterior            | External sensor          |
| BTc  | Termostato de descarga    | Discharge thermostat     |
| OT   | Sonda exterior            | Outdoor sensor           |
| DM   | Servomotor                | Damper                   |



Elemento Opcional  
Optional Element  
A Realizar por el Instalador  
To Wire By the Installer

Fusibles	F5	F6
230/3/50/3 x 32A	3 x 16A	
400/3/50/3 x 20A	3 x 10A	

Lemox Refrco S.A.  
ESQUEMA ELECTRICO  
ELECTRIC DIAGRAM

FLCK (LFCK+KFCK) 22

37-33-375-434 288  
3N ~ 400V 50Hz PE  
3 ~ 230V 50Hz + PE