



Think far*

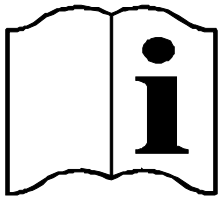
Installation, operating and maintenance

LXRCC

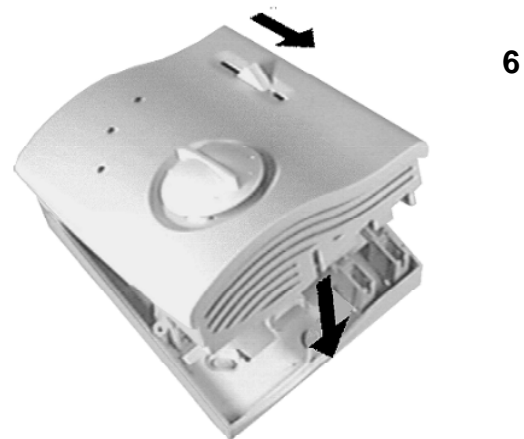
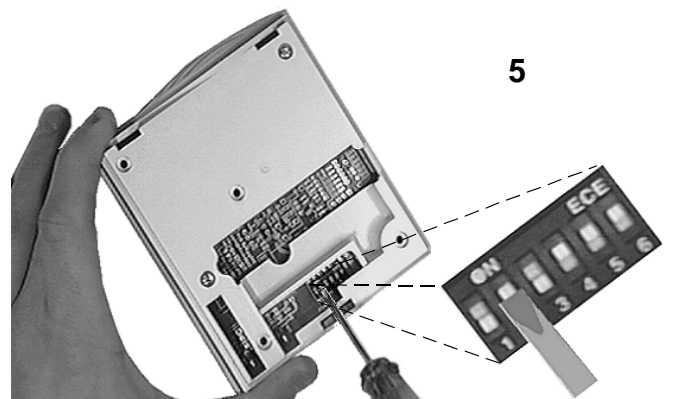
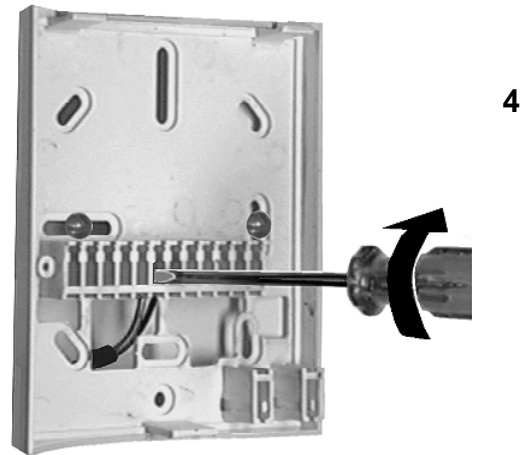
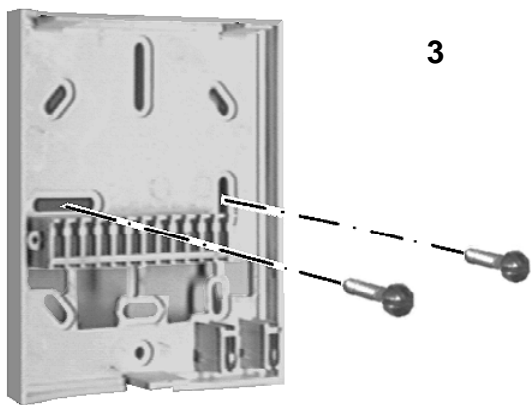
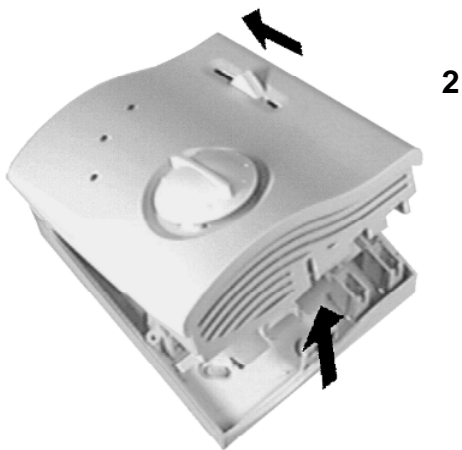
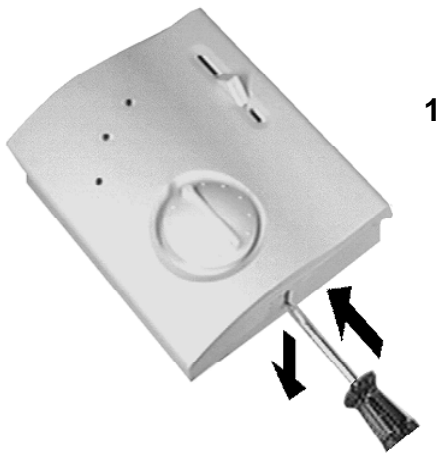
Remote control

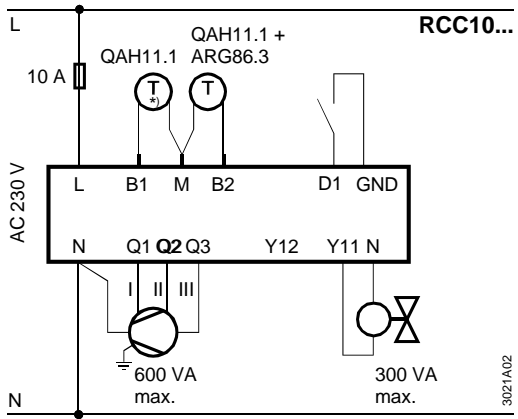


LXRCC-IOM-1109-E



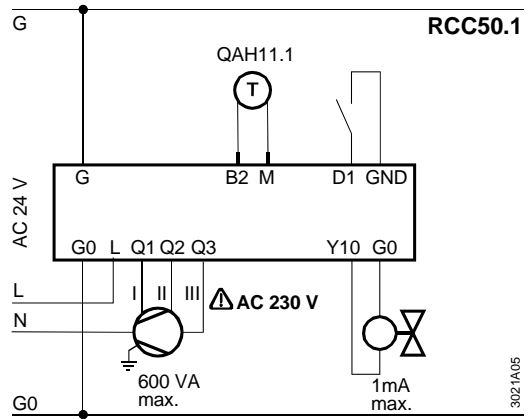
RCC...





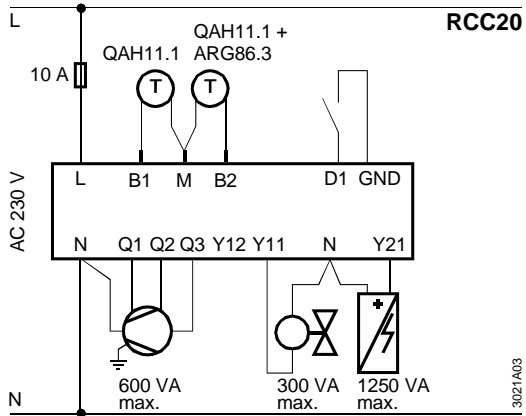
⚠ AC 230 V *) RCC10

3021A02



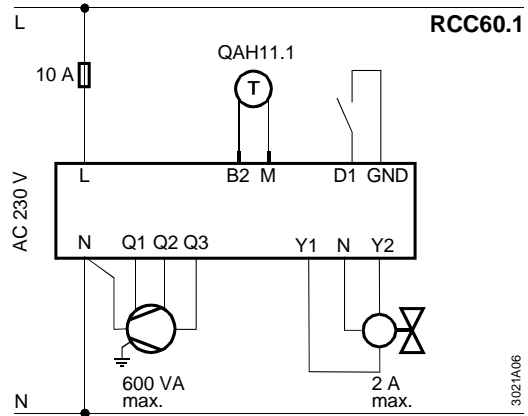
⚠ AC 230 V

3021A05



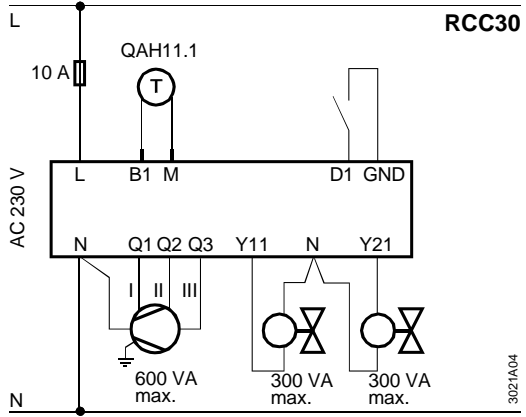
⚠ AC 230 V

3021A03



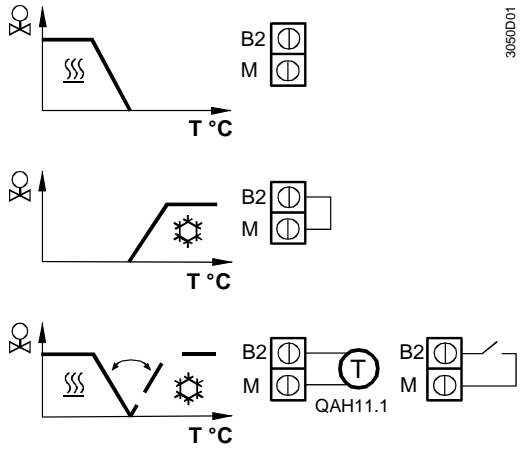
⚠ AC 230 V

3021A06

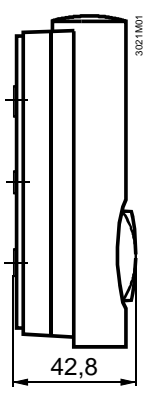
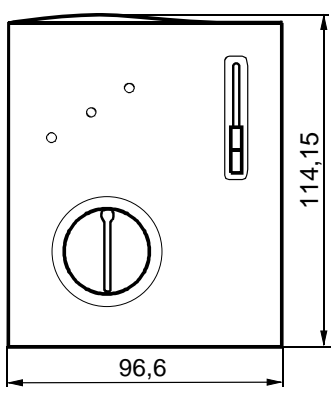


⚠ AC 230 V

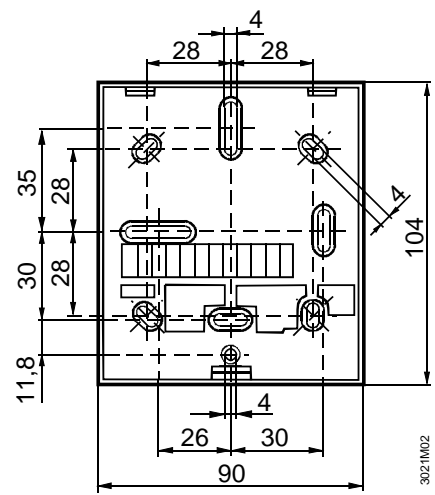
3021A04



3050D01



3021M01



3021M02

[mm]



lennoxemeia.com

SALES OFFICES :

BELGIUM AND LUXEMBOURG

☎ + 32 3 633 3045

FRANCE

☎ +33 1 64 76 23 23

GERMANY

☎ +49 (0) 40 589 6235 0

ITALY

☎ + 39 02 495 26 200

NETHERLANDS

☎ + 31 332 471 800

POLAND

☎ +48 22 58 48 610

PORTUGAL

☎ +351 229 066 050

RUSSIA

☎ +7 495 626 56 53

SPAIN

☎ +34 902 533 920

UKRAINE

☎ +38 044 585 59 10

UNITED KINGDOM AND IRELAND

☎ +44 1604 669 100

OTHER COUNTRIES :

LENNOX DISTRIBUTION

☎ +33 4 72 23 20 00

Due to Lennox's ongoing commitment to quality, the specifications, ratings and dimensions are subject to change without notice and without incurring liability. Improper installation, adjustment, alteration, service or maintenance can cause property damage or personal injury. Installation and service must be performed by a qualified installer and servicing agency

