



Application guide

LXRAB10 remote control



- Providing indoor climate comfort





RAB10
RAB10.2



RAB10.1

Room thermostats

LXRAB10...

For 2-pipe fan coils

- Room thermostat with manual switch for heating or cooling mode and fan function
- 2-position control
- Manual 3-speed fan switch
- Switching voltage AC 250 V
- Control output ON/OFF
- Fan in heating mode released by aquastat (RAB10.2)

Use

The RAB10... room thermostat is used in heating or cooling systems to maintain the selected room temperature.

Typical use:

- Commercial buildings
- Residential buildings
- Light industrial buildings

In conjunction with

- zone valves
- thermal valves
- fans

Functions

Heating

If the room temperature falls below the selected setpoint, the thermostat's heating contact will close.

Cooling

If the room temperature exceeds the selected setpoint, the thermostat's cooling contact will close.

Fan speed

There are 2 possibilities to control the fan speed:

- Manually by means of the thermostat's 3-speed fan switch for continuous operation (RAB10 and RAB10.1).
- Automatically by switching to the selected fan speed via the thermostat for controlled operation. In that case – prior to commissioning – the jumper position corresponding to the thermostat function must be selected. There are 2 choices of jumper positions available on the printed circuit boards of the RAB10 and RAB10.1.

Jumper SR1 


Selected fan speed as continuous operation

Jumper SR2  Auto

Fan is switched at the same time as the valve

Note on RAB10.2: In heating mode, the fan is released together with the control output (Y) and depending on the water temperature acquired by the aquastat. This means that, for switching on the fan, the room temperature must lie below the selected setpoint and the aquastat contact must have closed. In cooling mode, the fan is released with the control output (Y).

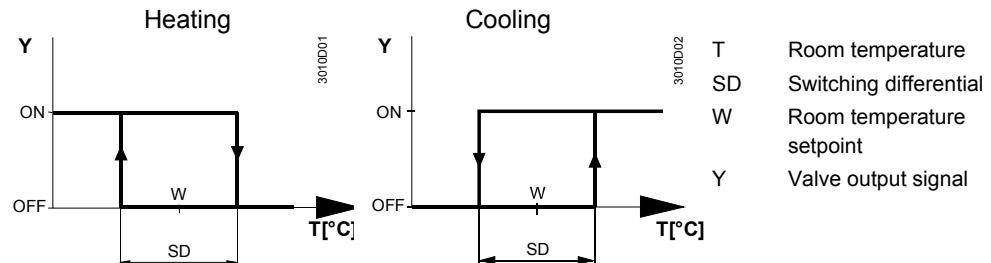
Ventilation

When the ventilation function  is selected (RAB10.1) with the slide switch on the unit front, the heating and cooling contacts are always open and the fan operates at the selected speed.

Changeover

Heating or cooling mode is selected with the switch located on the unit front (RAB10...).

Function diagrams



Type summary

2-pipe fan coil room thermostat for use with 3-speed fan, manual changeover

RAB10

2-pipe fan coil room thermostat for use with 3-speed fan, manual changeover and ventilation function

RAB10.1

2-pipe fan coil room thermostat for use with 3-speed fan, manual changeover and aquastat terminals for releasing the fan speed in heating mode

RAB10.2

Equipment combinations

| Description | Product no. (ASN) | Data sheet |
|--|-------------------|------------|
| Motoric on / off actuator | SFA21... | 4863 |
| Thermal actuator (for radiator valves) | STA21... | 4893 |
| Thermal actuator (for small valves 2.5 mm) | STP21... | 4878 |
| Aquastat (changeover thermostat) | RYT182 | 1295 |

Accessories

| Description | Product no. (ASN) |
|---|-------------------|
| Adapter plate 120 x 120 mm for 4 x 4" conduit boxes | ARG70 |
| Adapter plate 96 x 120 mm for 2 x 4" conduit boxes | ARG70.1 |
| Adapter plate for surface wiring 112 x 130 mm | ARG70.2 |

Technical design

Key features of the RAB10... fan coil room thermostat:

- 2-position control
- Gas-filled diaphragm

Adjustments

The required temperature setpoint is selected with the setting knob on the front of the thermostat.

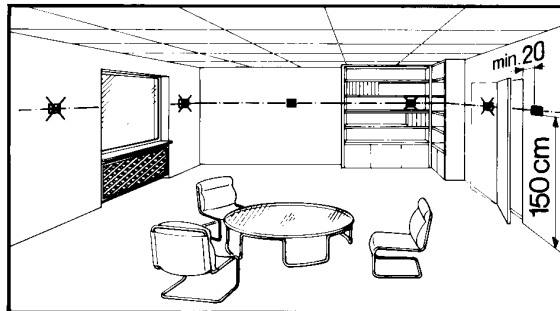
The setpoint setting range can be mechanically limited by means of a setpoint limiter under the unit cover.

Note

Mounting, installation and commissioning

The thermostat should be located where the room temperature can be acquired as accurately as possible, without getting adversely affected by direct solar radiation or other heat or refrigeration sources.

Mounting height is about 1.5 m above the floor.



The thermostat can be fitted to most commercially available recessed conduit boxes or directly on the wall.



Only authorized personnel may open the unit to perform service (**Caution: 250 V!**). The unit must be isolated from the mains supply before opening.

When installing the unit, fix the baseplate first, then hook on the thermostat body and make the electrical connections. Then, fit the cover and secure it (also refer to separate mounting instructions).

The thermostat must be mounted on a flat wall.

The local electrical regulations must be complied with.

If there are thermostatic radiator valves in the reference room, set them to their fully open position.

Maintenance




The room thermostat is maintenance-free.

Mechanical design

The diaphragm is filled with environmentally friendly gas.

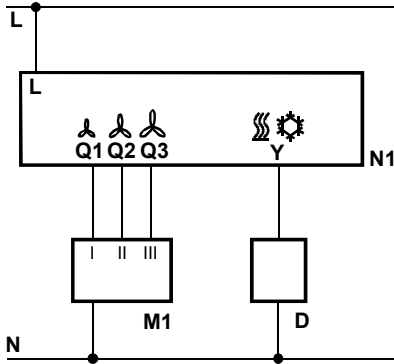
The housing is made of plastic.

Technical data

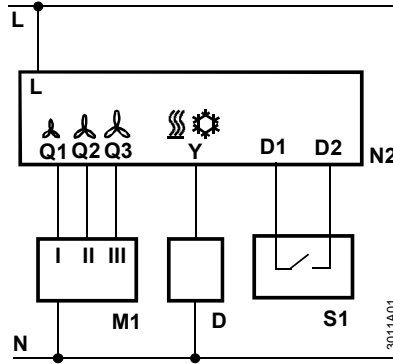
| | | |
|--|--|--|
|  Power supply | Switching capacity control output: Y | |
| | Voltage / frequency | AC 250 V / 50 or 60 Hz |
| | Current | 0.2...6(2) A |
| | Switching capacity fan: Q1, Q2, Q3 | |
| | Voltage / frequency | AC 250 V / 50 or 60 Hz |
| | Current RAB10 /RAB10.1 | 0.2...6(2) A |
| | Current RAB10.2 | 0.2...max. current aquastat at D1-D2, but no more than 6(2) A |
| | Aquastat terminals D1-D2 | AC 250 V / 0.2...6(2) A |
| Operational data | Switching differential SD | ≤1 K |
| | Setpoint setting range | 8...30 °C |
| Environmental conditions | Operation | To IEC 721-3-3 |
| | Climatic conditions | Class 3K5 |
| | Temperature | 0...50 °C |
| | Humidity | <95% r.h. |
| | Pollution degree | Normal, to EN 60730 |
| | Transport / storage | To IEC 721-3-2 |
| | Climatic conditions | Class 2K3/1K3 |
| | Temperature | -20...50 °C |
| | Humidity | <95% r.h. |
| | Mechanical conditions | Class 2M2 |
| | Packaging | Single packages / min. order 20 pcs |
| Norms and standards |  conformity | |
| | EC directive on EMC | 2004/108/EC |
| | Low-voltage directive (LVD) | 2006/95/EC |
| | Product standards | |
| | Automatic electrical controls for household and similar use | EN 60730-1 and EN 60730-2-9 |
| | EMC – standards | |
| | Emissions | EN 61000-3-2 and EN 61000-3-3 |
| |  ^{N474} C-Tick conformity to | |
| | EMC emission standard | AS/NSZ 4251.1:1994 |
| | Safety standard | II to EN 60730 |
| | Degree of protection of housing | IP30 to EN 60529 |
| | Screw terminals for | 2 x 1.5 mm ² or 1 x 2.5 mm ² (min. 0.5 mm ²) |
| | Weight | 0.14 kg |
| | Color | White, NCS S 0502-G (RAL 9003) |

Connection diagram

RAB10 / RAB10.1



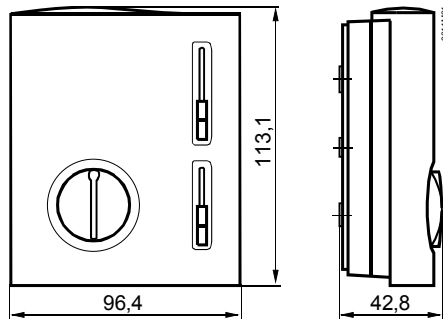
RAB10.2



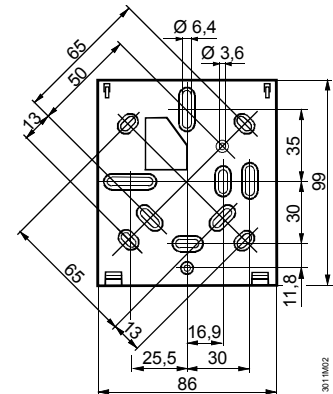
- L Switching voltage AC 250 V
- N Neutral conductor
- M1 3-speed fan
- D Thermal valve or zone valve
- S1 Aquastat (changeover thermostat)
- N1 Room thermostat RAB10/RAB10.1
- N2 Room thermostat RAB10.2
- Q1 Control output
"Fan speed I", AC 250 V
- Q2 Control output
"Fan speed II", AC 250 V
- Q3 Control output
"Fan speed III", AC 250 V
- Y Control output
"Valve actuator", AC 250 V
- D1/D2 Terminals for external aquastat

Dimensions

Roomthermostat



Baseplate





● **Direct Sales Offices:**

BELGIUM AND LUXEMBOURG

☎ + 32 3 633 3045

✉ info.be@lennox europe.com

FRANCE

☎ +33 1 64 76 23 23

✉ info.fr@lennox europe.com

GERMANY

☎ + 49 69 42 09 79 0

✉ info.de@lennox europe.com

NETHERLANDS

☎ + 31 332 471 800

✉ info.nl@lennox europe.com

POLAND

☎ +48 22 58 48 610

✉ info.pl@lennox europe.com

PORTUGAL

☎ +351 229 066 050

✉ info.pt@lennox europe.com

RUSSIA

☎ +7 495 626 56 53

✉ info.ru@lennox europe.com

SLOVAKIA

☎ +421 2 58 31 83 12

✉ info.sk@lennox europe.com

SPAIN

☎ +34 91 540 18 10

✉ info.sp@lennox europe.com

UKRAINE

☎ +380 44 461 87 79

✉ info.ua@lennox europe.com

UNITED KINGDOM AND IRELAND

☎ +44 1604 669 100

✉ info.uk@lennox europe.com

● **Distributors and Agents**

Algeria, Austria, Belarus, Botswana, Bulgaria, Cyprus, Czech Republic, Denmark, Estonia, Finland, Georgia, Greece, Hungary, Israel, Italy, Kazakhstan, Latvia, Lebanon, Lithuania, Morocco, Near East, Norway, Romania, Serbia, Slovenia, Sweden, Switzerland, Tunisia, Turkey

LENNOX DISTRIBUTION

☎ +33.4.72.23.20.00

✉ info.dist@lennox europe.com



LXRAB10-AGU-0509-E

Due to Lennox's ongoing commitment to quality, the Specifications, Ratings and Dimensions are subject to change without notice and without incurring liability.

Improper installation, adjustment, alteration, service or maintenance can cause property damage or personal injury.

Installation and service must be performed by a qualified installer and servicing agency