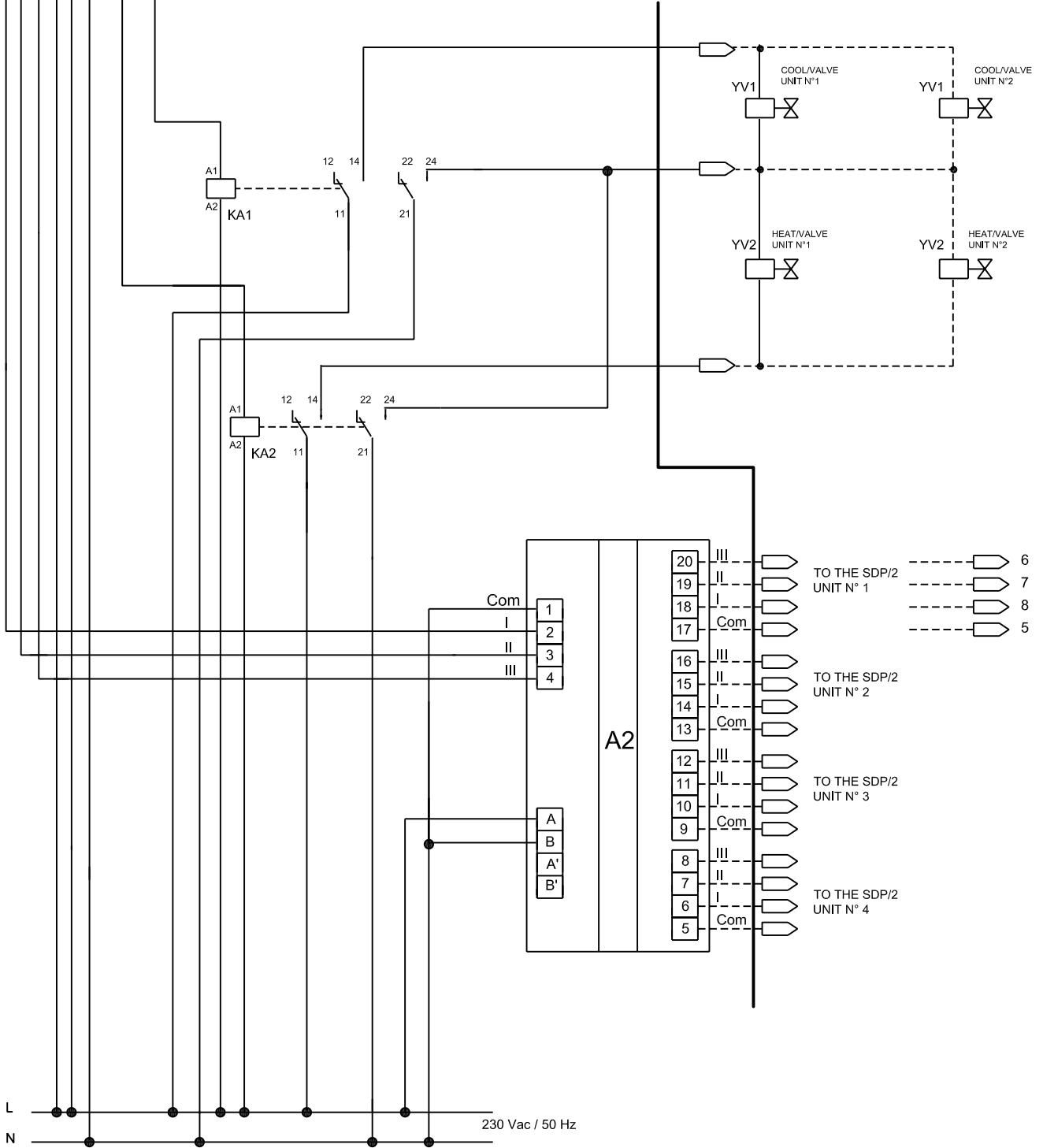


1 2 3 4 5 6 7 8 9 10 11 12 13 14



SEE WIRING DIAGRAM
B-74/rev2

0	19-09-08	Canevese M.	Pasini M.
Rev.	Date	Drawn	Approved

Title
UNITA' TRATTAMENTO ARIA CANALIZZATA MOD. 10-20-30-40 + SDP/2 + SDI + CD2/X6F + VALVOLE 230VAC ON/OFF (sistema 4 tubi)
DUCTABLE AIR TREATMENT UNIT MOD. 10-20-30-40 + SDP/2 + SDI + CD2/X6F + VALVES 230VAC ON/OFF (4 pipe system)

Drawing NO.	UA-37
Sheet NO.	1
Total sheets	2

