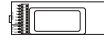
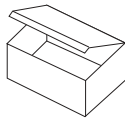


**Important: Retain these instructions**



### UNPACKING



IQPCO/INTERFACE  
CARD Installation  
Instructions  
TG200597

### STORING



-20 °C → +80 °C



20 %RH → 80 %RH



### INSTALLATION

**1 Switch off pCO Controller**

**2 Remove Serial Card Cover**  
If pCO<sup>1</sup>, pCO<sup>2</sup>

a) b) c)

**3 Plug in Card**

a) locate connector

pCO<sup>1</sup>, pCO<sup>2</sup> pCO<sup>c</sup>

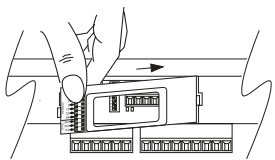
connector

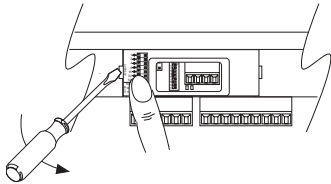
b) insert card

**Caution:** This unit contains static sensitive devices. Suitable anti-static precautions should be taken throughout the operation to prevent damage to the units.  
BS EN100015/1 Basic Specification: protection of electrostatic sensitive devices.


INSTALLATION (continued)



**4 Place New Cover**  
If pCO<sup>1</sup>, pCO<sup>2</sup>

a) 

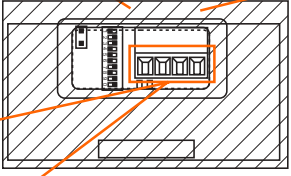
b) 

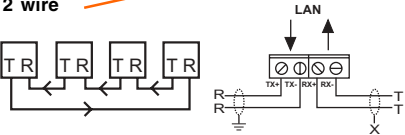
**5 Connect Network**

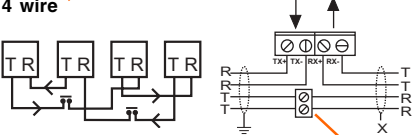
 Network Engineering Manual 92-1735

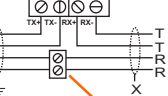
pCO<sup>1</sup>, pCO<sup>2</sup>  pCO<sup>c</sup> 

Cable	1k2 baud	9k6 baud	19k2 baud	No. of Wires
Belden 9182	1000 m	1000 m	700 m	2
Belden 9207	1000 m	1000 m	500 m	2
<b>Trend</b>				
TP/1/1/22/HF/500 (Belden 8761)	1000 m	700 m	350 m	2
<b>Trend</b>				
TP/2/2/22/HF/500 (Belden 8723)	1000 m	500 m	250 m	4




**2 wire**  LAN

**4 wire**  LAN

additional terminals 

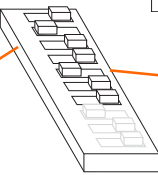
**6 Set Network Address**

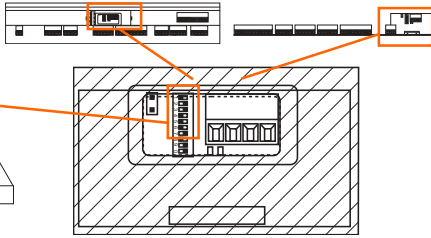



ADDRESS: 1, 2, 4, 8, 16, 32, 64

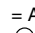
BAUD: 19K2, 9K6, 1K2

e.g. Address = 2 + 16 = 18



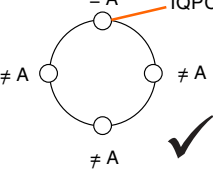




Address  = A

Address  = A IQPCO

address

- ✓ 1, 4 to 9, 11 to 119
- ✗ 0, 2, 3, 10 or >119



SET  NOT SET 

INSTALLATION (continued)

**7 Set Network Baud Rate**

ADDRESS: 1, 2, 4, 8, 16, 32, 64

BAUD: 19K2, 9K6, 1K2

Baud Rate = B

= B

= B

= B

✓

**8 Switch On pCO**

**9 Check Network OK LED**

OK (green) ✓

✗ Network Address Invalid  
0, 2, 3, 10 or >119

✗ IQ Faulty

OK Check baud rate .

Check network cabling for short circuits with a multimeter (NOT Megger)

Power up other nodes until faulty node is found (LAN = ). Correct fault.

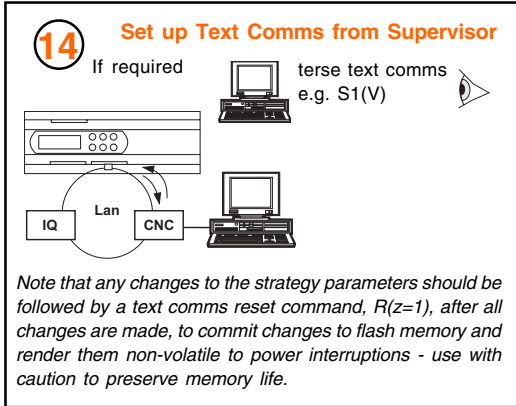
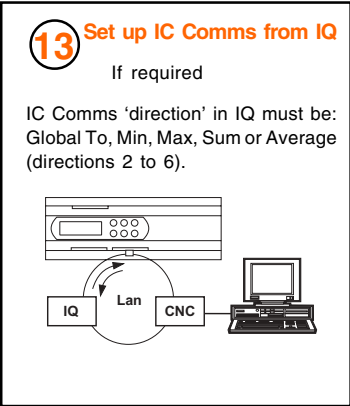
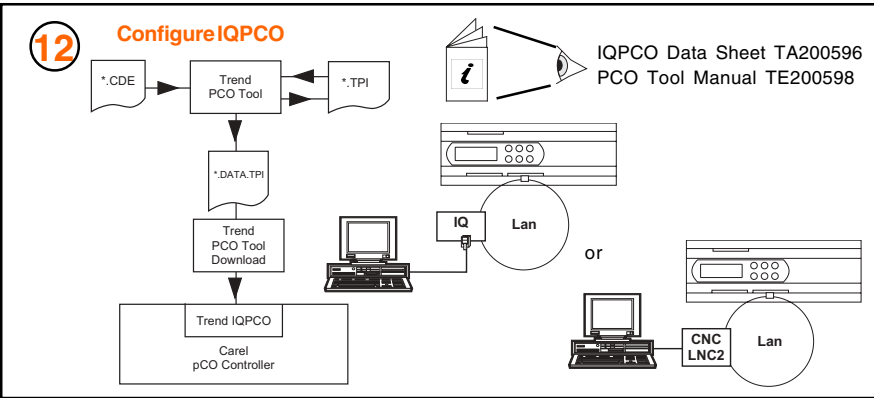
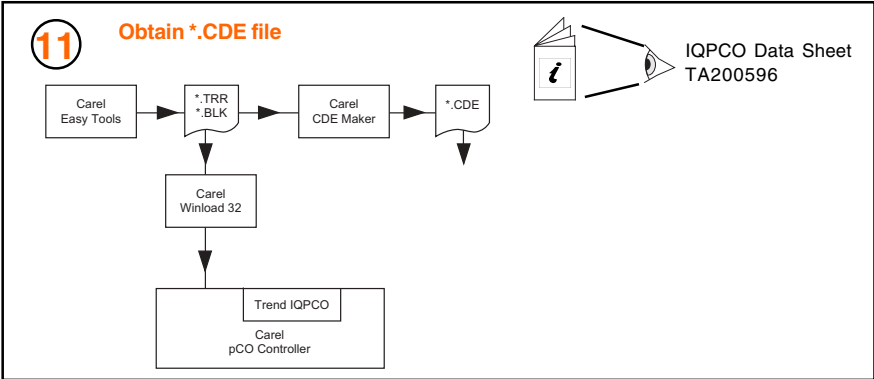
**10 Check pCO Error LED**

pCO Error (red)

pCO Error ✗  
- check pCO controller serial port address set to one, and baud rate set to 19k2

pCO OK ✓

**INSTALLATION** (continued)



Trend Control Systems Ltd reserves the right to revise this publication from time to time and make changes to the content hereof without obligation to notify any person of such revisions or changes.

