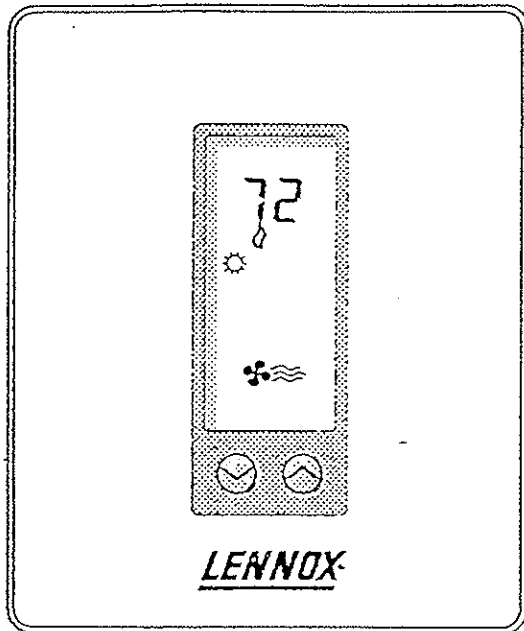


DSL-300LX
Heating & Cooling Thermostat
with Auto Changeover
OPERATING INSTRUCTIONS



SEE REVERSE FOR
INSTALLATION INSTRUCTIONS

Your new Digital Thermostat has been designed to provide accurate control and display of room temperature. In addition, it will also display all relevant information pertaining to your system.

The clearly marked buttons and informative display make it extremely easy to understand and simple to use.

Please take a few moments to read the brief instructions and familiarize yourself with the various functions in order to obtain maximum benefit from this truly unique electronic control.

GENERAL INFORMATION

The thermostat normally displays room temperature, mode of operation and whether Cooling or Heating is currently on. The six buttons on the front of the unit allow complete control of the equipment.

You may select different heating and cooling setpoints for the system to maintain, e.g. 70°F (21°C) in heating and 75°F (24°C) in cooling. Raising or lowering the setpoint in heating or cooling is as simple as pushing a button. In addition, you may choose °F or °C for the display.

The thermostat also allows you to select continuous fan operation (useful when using an air cleaner), or have the fan come on with the equipment.

USER CONTROLS (Cont'd)

OUTDOOR TEMPERATURE DISPLAY:

If your thermostat is equipped with the optional outdoor temperature sensor, press this button to display the current outdoor temperature. If your thermostat is not equipped with this option, the thermostat will display -- ☀.

DAY/NIGHT TEMPERATURE SELECTION:

When the thermostat is first installed, the ☀ symbol will be displayed, as will the daytime temperature setting. Press the DAY/NIGHT button to select an alternate, or night ☾, temperature setting. (The thermostat will store this temperature in memory.) Simply press the DAY/NIGHT button to alternate between temperature settings.

USER CONTROLS (Cont'd)

AUTOMATIC DAY/NIGHT CHANGEOVER:

If your thermostat is equipped with an optional remote clock/timer, the thermostat will automatically alternate between the daytime and nighttime settings as determined by the clock.

REMOTE THERMOSTAT LOCATION:

The optional electronic remote sensor allows you to install your thermostat in a location that is out of view.

FAHRENHEIT/CELSIUS DISPLAY:

Initially, your thermostat will be set to display thermostat settings in degrees Fahrenheit. Simultaneously press ☺ and ☻ to switch to Celsius temperature display.

USER CONTROLS

MODE:

Select the desired mode of operation by repeatedly pressing the MODE button:

❄️ – Cooling mode controls cooling operation only (the word "Cool" is displayed for 5 seconds);

🔥 – Heating mode controls heating operation only (the word "Heat" is displayed for 5 seconds);

❄️ 🔥 – Auto changeover mode controls both heating and cooling operation (the word "Auto" is displayed for 5 seconds);

OFF – This mode disables the thermostat, so equipment will not operate. *Avoid using the OFF mode during extremely cold weather to prevent damage from freezing.*

Cooling Mode: ❄️

Select the temperature you want your equipment to maintain while in the cooling mode by momentarily pressing the ⏴ or ⏵ button. The control setpoint temperature is displayed for 5 seconds after the button is released.

Press the Day/Night button to select the night ☾ setpoint. Select the desired temperature with the ⏴ or ⏵ button.

POWER FAILURES

Your thermostat is equipped with the latest developments in solid-state electronic technology. Its memory is unaffected by power failures of any duration. No battery is required to maintain your selected setpoints in the event of a power loss. When power is restored, the thermostat will continue operation as if the power had never been off.

TEMPERATURE ACCURACY:

This thermostat will not provide full temperature accuracy until it has been powered for approximately one hour.

USER CONTROLS (Cont'd)

Heating Mode: 🔥

Select the temperature you want your equipment to maintain while in the heating mode by pressing and holding the ⏴ or ⏵ buttons. The control setpoint temperature is displayed for 5 seconds after the button is released.

Press the Day/Night button to select the night ☾ setpoint. Select the desired temperature with the ⏴ or ⏵ button.

NOTE: *The thermostat never allows less than 2°F (1°C) difference between the heating and cooling setpoints.*

FAN: 🌀

The Fan will come on automatically when the system is operating, but there is no indication of this on the display. Continuous fan operation is recommended for electronic air cleaners or continuous ventilation requirements.

WARRANTY

LIMITED ONE YEAR WARRANTY

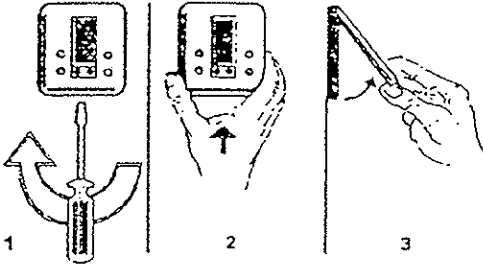
Lennox warrants to the original purchaser that its product and component parts will be free from defects in workmanship and materials for a period of one year from the date of purchase. Your dealer will provide free replacement of your DSL thermostat upon proof of purchase.

EXCLUSIONS

This warranty does not apply in the event of misuse, abuse or as a result of unauthorized alterations or repairs. Lennox will not be liable for any consequential damages including, without limitation, damages resulting from defects, loss of use, or misuse.

This equipment, if installed in strict accordance with the manufacturer's instructions, complies with the limits for a Class B computing device pursuant to Subpart J of Part 15 of FCC rules.

Before the thermostat is re-installed on the subbase, install all the optional clock/timer, indoor remote sensor and outdoor remote sensor, if used. Refer to the installation instructions supplied with each option. Also, check the position of the slide switches on the lower left corner on the back of the thermostat.



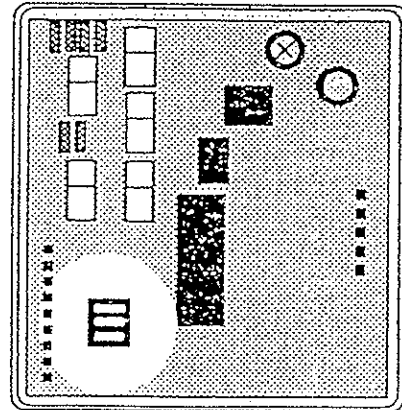
REPLACING THE THERMOSTAT ON THE SUBBASE

Position the thermostat on the hinged tabs located at the top of the subbase. (See 3 above)

Gently swing the thermostat down and press on the bottom center edge until it snaps in place.

SLIDE SWITCH SETTINGS

Slide switch positions are outlined below.

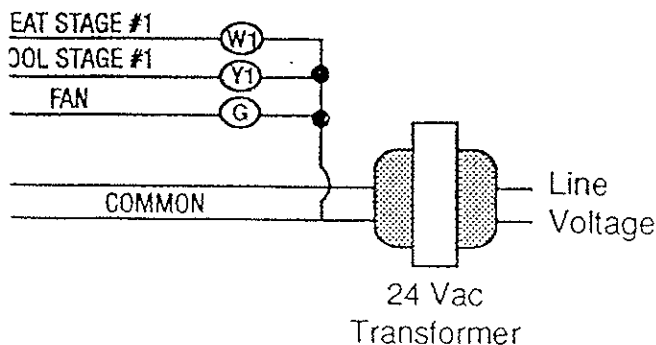


← OFF ON →

4 MINUTES (MIN.-ON)		2 MINUTES (MIN. ON)	
KEYBOARD UNLOCKED		KEYBOARD LOCKED	
FAN IMMEDIATE WITH HEAT CALL		FAN ON WITH PLENUM SWITCH	

1: If jumper is removed, the 'R' terminal be used to accommodate independent heating circuits.

2: This thermostat may be used with 24 DC. The negative side of the DC supply be wired to the 24V (C) terminal.



OUTPUT TERMINAL FUNCTIONS

W1	Energizes on a call for first stage heat
Y1	Energizes on a call for first stage cool
G	Energizes the fan circuit
R	Independent Switching Voltage
24 Vac	24 Vac
24 Vac (C)	24 Vac (Common)
CLK1	Use with independent remote clock/timer for alternate setpoints
CLK2	
RS2	Use to connect Outdoor Temperature Sensor option and/or Indoor Remote Sensor option. Refer to the instructions included with the sensors.
RS1	
RS+V	

THERMOSTAT LOCATION

To ensure proper operation, the thermostat should be mounted on an inside wall in a frequently occupied area of the building. In addition, its position must be at least 18" (46cm) from any outside wall, and approximately 5' (1.5m) above the floor in a location with freely circulating air of an average temperature.

BE SURE TO AVOID THE FOLLOWING LOCATIONS:

- behind doors or in corners where freely circulating air is unavailable
- where direct sunlight or radiant heat from appliances might affect control operation
- on an outside wall
- adjacent to, or in line with, conditioned air discharge grilles, stairwells, or outside doors
- where its operation may be affected by steam or water pipes or warm air stacks in an adjacent partition space, or by an unheated/uncooled area behind the thermostat
- where its operation will be affected by the supply air of an adjacent unit
- near sources of electrical interference such as arcing relay contacts.

THERMOSTAT INSTALLATION

1. Insert a flat blade screwdriver 1/8" into the slot cut in the bottom center of the thermostat case and twist 1/4 turn. When you feel or hear a "click", grasp the case from the bottom two corners and separate from the subbase as shown in the diagram at the left. *Some models require more force than others when separating due to the number of terminals used.*
2. Swing the thermostat out from the bottom.
3. Lift the thermostat up and off the subbase.
4. Place the rectangular opening in the subbase over the equipment control wires protruding from the wall and, using the subbase as a template, mark the location of the two mounting holes (exact vertical mounting is necessary only for appearance).
5. Drill two 3/16" (5mm) diameter holes at the marked locations. Use a hammer to tap the supplied nylon anchors in flush with the wall surface and fasten subbase using the supplied screws. (Do not overtighten!)
6. Connect the wires from your system to the thermostat terminals as shown in the wiring diagram. Carefully push excess wire back into the wall cavity or junction box. The wires must be flush with the plastic subbase. The access hole should be sealed or stuffed to prevent drafts from affecting thermostat operation.

SPECIFICATIONS

Rated Voltage	20-30 Vac, 24 nominal
Rated A.C. Current	.050 Amps to 0.5 Amps continuous per output with surges to 1 Amp Max.
Rated D.C. Current	0 Amps to 0.5 Amps continuous per output with surges to 1 Amp Max.
Control Range	Heating: 38 to 88°F in 1° Steps 5 to 30°C in 1° Steps Cooling: 60 to 108°F in 1° Steps 16 to 40°C in 1° Steps
Thermostat Measurement Range	28 to 124°F or 0 to 48°C
O.D.T. Measurement Range	-50 to 124°F or -48 to 48°C
Control Accuracy	± .5° C At 20°C ± 1°F at 68°F
Minimum Deadband	(between heating and cooling) 2°F or 1°C

NOTE: This thermostat contains electronic circuitry which replaces the conventional mechanical anticipator.

DSL-300LX

