

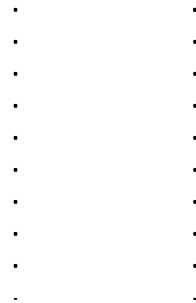


RUBBER ANTIVIBRATION MOUNTS

For ECOLEAN, AIRCOOLAIR and AIRCUBE, the following antivibration mounts are supplied in the rubber damps kits.

• **RUBBER DAMPS:**

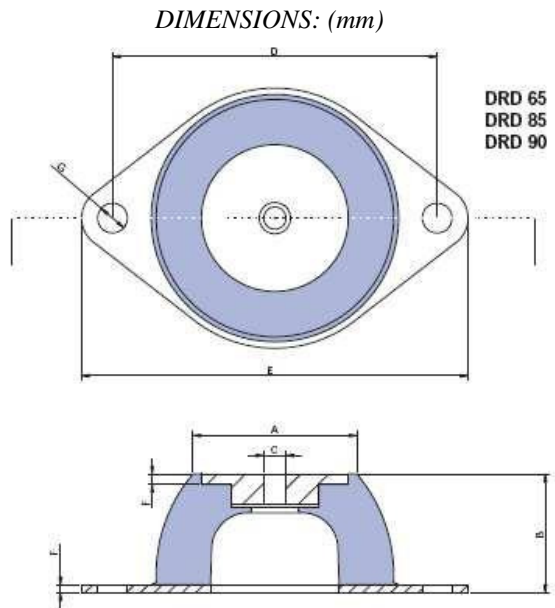
UNIT MODEL	DAMPS DESIGNATION	REFERENCE	QUANTITY	SHORE
EAC/R 09-43	DRD 85-75	1202351	4	75
EAC/R 47-81	DRD 85-75	1202351	6	75
EAC/R 100-140	DRD 90-75	1202353	9	75
EAC/R 160-180	DRD 90-75	1202353	12	75
ANCM/HM 24-43E	DRD 75-85	1202351	4	75
ANCM/HM 48-86D	DRD 85-75	1202351	6	75
ANCM/HM 112-152D	DRD 90-75	1202353	9	75
KSCM/HM 22-43E	DRD 75-85	1202351	4	75
KSCM-HM 52-86D	DRD 85-75	1202351	6	75
KSCM-HM 112D-152D	DRD 90-75	1202353	9	75
KSCM-HM 214D	DRD 90-75	1202353	12	75





- Dimensional data for the RUBBER ANTIVIBRATION MOUNTS:

IMAGE:



CODE	DAMPS DESIGNATION	A	B	C	D	E	G
1202351	DRD 85-75	48	38	M-10	110	136	11.5
1202353	DRD 90-75	47	45	M-10	124	151	11.5

- AVM's deflection calculation for the RUBBER ANTIVIBRATION MOUNTS:

DRD 85-75: 185 Kg
DRD 90-75: 275 Kg

